

# Hustler® Parts Manual



**HUSTLER®**  
TURF EQUIPMENT

200 South Ridge Road

Hesston, Kansas

67062



#### NOTICE OF REQUIREMENT OF SPARK ARRESTER MUFFLER

This equipment may create sparks that can start fires around dry vegetation. California Public Resources Code Section 4442.6 provides that it is unlawful to use or operate an internal combustion engine on any forest-covered, brush-covered, or grass-covered land unless the engine is equipped with a spark arrester maintained in effective working order. A spark arrester is a device constructed of nonflammable materials specifically for the purpose of removing and retaining carbon and other flammable particles over 0.0232 of an inch in size from the exhaust flow of an internal combustion engine that uses hydrocarbon fuels or which is qualified and rated by the United States Forest Service. Other states or federal areas may have similar laws. The Operator Should Contact Local Fire Agencies For Laws or Regulations Relating to Fire Prevention Requirements. **THIS EQUIPMENT DOES NOT HAVE A SPARK ARRESTER AND YOU SHOULD CONTACT YOUR AUTHORIZED DEALER FOR THE PURCHASE OF A SPARK ARRESTER.**

Inspect spark arrester daily; replace every 500 hours or as needed.

The Engine Owner's Manual provides information regarding the U.S. Environmental Protection Agency (EPA) and the California Emission Control Regulation of emission systems, maintenance and warranty.

Keep Engine Owner's Manual with your unit. Should the Engine Owner's Manual become damaged or illegible, replace immediately. Replacements may be ordered per the information found in the Product Information section of the owner's manual.

Federal law and California State law prohibit the following acts or the causing thereof:

1. The removal or rendering inoperative by any person other than for purposes of maintenance, repair, replacement, of any device or element of design incorporated into any equipment for the purposes of emissions control prior to or after its sales or delivery to the ultimate purchaser or while it is in use, or
2. The use of the equipment after such device or element of design has been removed or rendered inoperative by any person.

General Information .....	1
<b>Frame, Fenders, Instrument Panel, Engine Guard &amp; Battery</b>	
Frame .....	3-1
Instrument Panel, Fenders, Footrest & Wire Harness .....	3-2
Engine & Muffler Guards .....	3-3
Battery .....	3-4
<b>Transmissions, Steering &amp; Brake</b>	
Transmissions & Drive Belt .....	4-1
Transmission Service Parts .....	4-2
Steering & Brake .....	4-3
<b>Wheels &amp; Tires</b>	
Wheels & Tires .....	5-1
Front Wheel Assembly .....	5-2
Drive Wheel Assembly .....	5-3
<b>Engine, Muffler, Clutch &amp; Fuel System</b>	
Engine, Muffler, Clutch & Fuel System (Multi-Page) .....	6-1
Engine Service Parts - FR541V .....	6-2
Fuel System (Multi-Page) .....	6-3
<b>Deck, Deck Pulleys, Spindles, Deck Belt, Blades &amp; Deck Lift</b>	
Service Deck .....	7-1
Deck Pulleys & Spindles - S/N 20053631 & HIGHER .....	7-2
Deck Pulleys & Spindles - S/N PRIOR TO 20053631 .....	7-3
Spindle Service Parts - 604214 .....	7-4
Deck Belt, Pulley Covers & Blades .....	7-5
42" Mulch Kit .....	7-6
Deck Lift & Mounting Hardware (Multi-Page) .....	7-7
<b>Seat</b>	
Seat .....	8-1



---

# General Information

*Note:* When ordering parts, you must use the part number as shown for each part, not the index number. Always give the model and serial number to your parts and service representative.

*Note:* Items sold in bulk such as seals and hoses are sold by the foot.

---

## Using This Manual

This manual is part of a service package for the Hustler® mowers. Use of this manual in conjunction with other Hustler® mower and component manuals will provide the information necessary to service and maintain Hustler® mowers.

This Parts Manual provides a complete parts listing for the unit. Use this manual when ordering parts. Illustrations used were current at the time of printing, but subsequent production changes may cause your machine to vary slightly in detail. Excel Industries, Inc. reserves the right to redesign and change the machine as deemed necessary, without notification. If a change has been made to your machine which is not reflected in this parts manual, see your authorized dealer for current information and parts.

The Service Manual is a service guide for use by Service Technicians. It provides the necessary information needed to perform normal maintenance requirements on these units.

The Operator's Manual provides fundamental operational information and operational safety that is needed when operating the mower.

The component manuals are furnished by the various manufacturers to be used for the troubleshooting and servicing of their products.

## Hardware Description Codes & Abbreviations

The following codes are used throughout this parts manual. Refer to this list when ordering parts.

ABBREVIATION	DESCRIPTION	ABBREVIATION	DESCRIPTION
CB	CARRIAGE BOLT	MB	MACHINE BUSHING
CE	CLEVIS PIN	MS	MACHINE SCREW
CN	CLIP NUT	NT	NUT
CP	COTTER PIN	SC	SELF TAPPING CAP SCREW
CS	CAP SCREW	SH	SOCKET HEAD
CW	CUP WASHER	SB	SHOULDER BOLT
FDRW	FENDER WASHER	SS	SET SCREW
FW	FLAT WASHER	OD	OUTSIDE DIAMETER
HX	HEX HEAD	ID	INSIDE DIAMETER
LW	LOCK WASHER	WN	WELD NUT

---

## Standard Torques

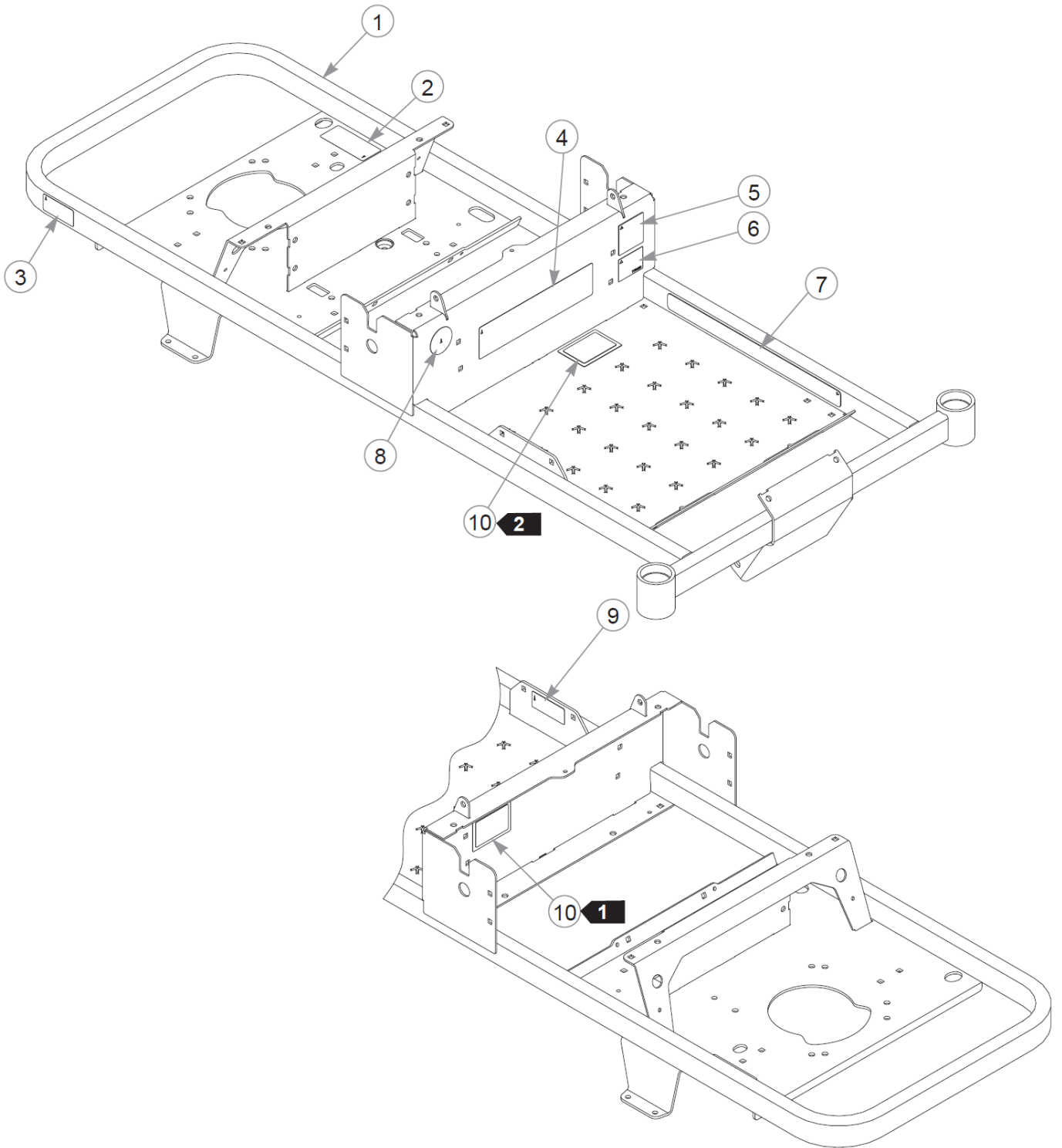
The following chart lists the standard torque values for the threaded fasteners found in this manual. Torque all cap screws, nuts and set screws to these values unless a different torque is shown in the Notes section next to the fastener.

SIZE	FT-LBS	N•M	SIZE	FT-LBS	N•M
.250	8.2	11.1	M3	1	1.3
.312	17	23	M4	2.2	3
.375	30	40	M5	4.5	6.1
.438	48	65	M6	7.7	10.4
.500	73	99	M8	18.5	25
.562	105	143	M10	37	50
.625	145	200	M12	64	87
.750	260	350	M14	80	108.5
.875	420	565	M16	160	215
1.00	625	850	M20	320	435
			M24	555	750

---

This page intentionally left blank

# Frame



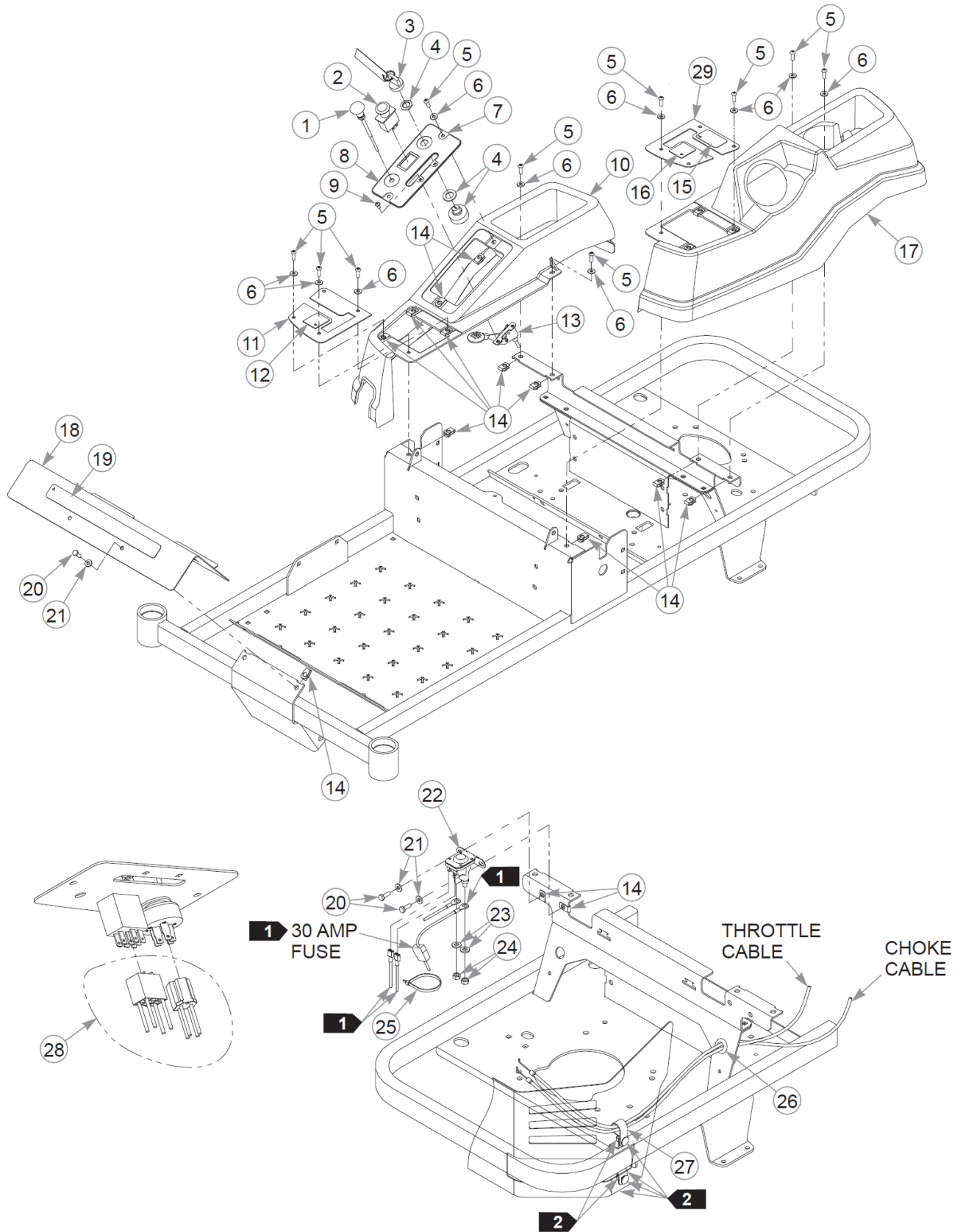
# Frame

Item	Part No.	Qty	Name
1	555897	1	SVC, FRAME CE
2	601967	1	DECAL, ENGINE COMPART
3	602041	1	DECAL, HOT
4	608090	1	DECAL, DASH XD
5	794834CE	1	CE 100 DBA LIMIT DECAL
6	776310	1	DECAL, CE MARK
7	601981	1	DECAL, SAFE OPERATE-GRAY
8	608127	1	DECAL, USA, F&D
9	608354	1	DECAL, DECK HEIGHT CE
10	N/A	2	SERIAL NUMBER / SPEC DECAL

Comments for Page: Frame

1. Serial number decal. In the event the serial number decal becomes damaged or illegible, please contact your dealer to order a replacement.
2. EPA compliance decal.
3. The frame includes the decals.

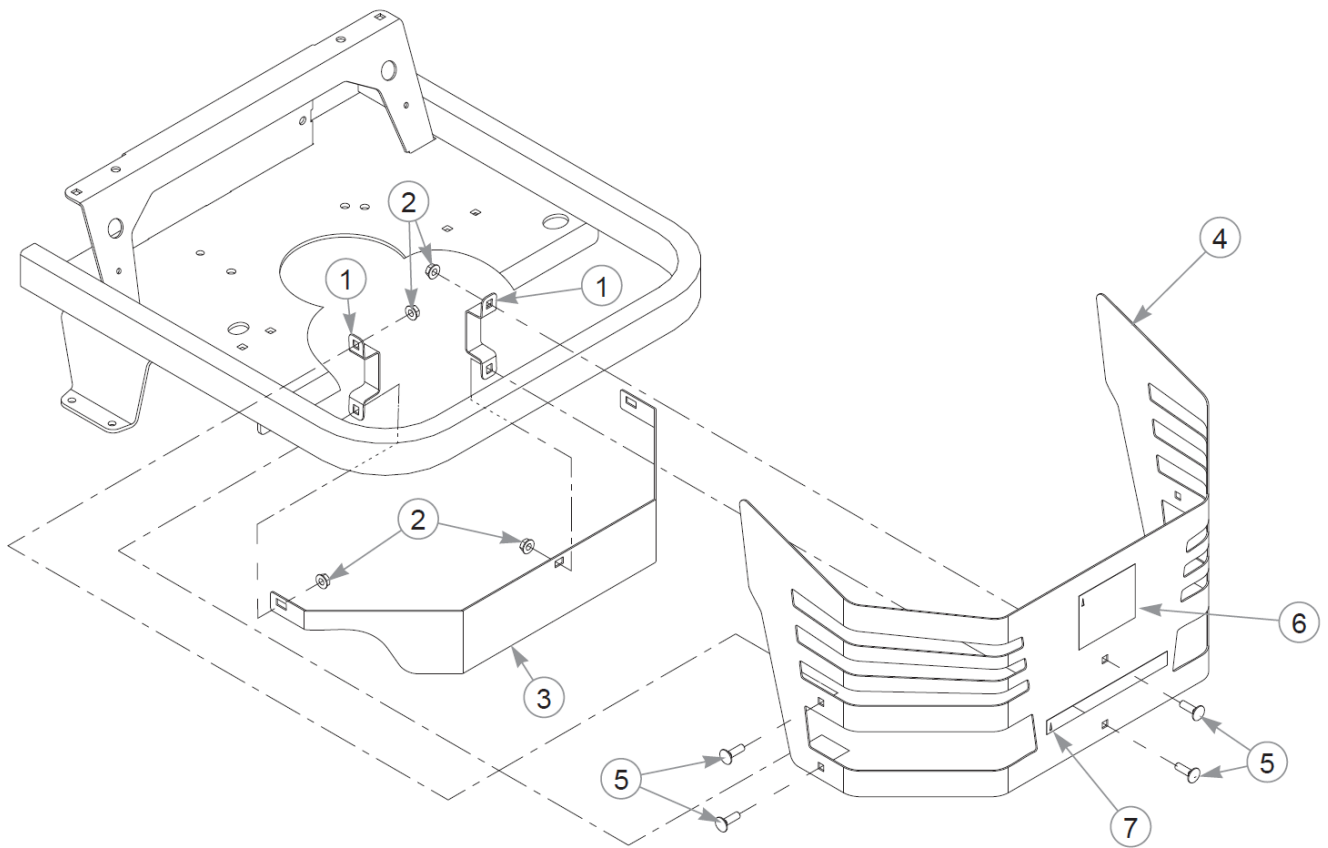




Item	Part No.	Qty	Name
1	608276	1	CABLE ASM - CHOKE
2	776476	1	SWITCH, PTO 6201-321
3	785808	1	KEY ASSEMBLY
4	045898	1	IGNITION SWITCH
5	605473	14	CS .250-20X0.75 BH TX BZ
6	605628	14	FW 0.281X.63X.07 ZB
7	554826	1	SVC, INST PANEL
8	607065	1	DECAL, INSTRUMENT PANEL
9	606851	2	CS 10-24X .500 PH SH ZN
10	607063	1	FENDER RH
11	554827	1	SVC, STEERING PLATE R
12	785220	1	DECAL, STEERING R.S.
13	608275	1	CABLE ASM - THROTTLE
14	601982	18	CN .250-20X .150 MAX THK
15	605782	1	DECAL, LEVEL FUEL BLOWM
16	785139	1	DECAL, STEERING L.S.
17	608195	1	FENDER, LH
18	554829	1	SVC, FOOTREST
19	602407	1	DECAL, HUSTLER ID
20	055939	4	CS .250-20X0.75 HX G5 ZN
21	768515	4	FW 0.281SAE
22	606445	1	STARTER SOLENOID
23	768523	2	FW 0.343SAE
24	041152	2	NT 0.312-24 HX G8
25	000331	1	WIRE TIE, SMALL/SHORT
26	601400	1	GM .63 x1.13 x.88 x .13
27	043570	1	CLIP - HOSE - SINGLE(FS)
28	608239	1	WIRE HARNESS
29	555895	1	SVC, STEERING PLATE L

Comments for Page: Instrument Panel, Fenders, Footrest & Wire Harness

1. Part of the wire harness.
2. Part of the Engine Guard Assembly.
3. The instrument panel, footrest and steering plates include the decals.

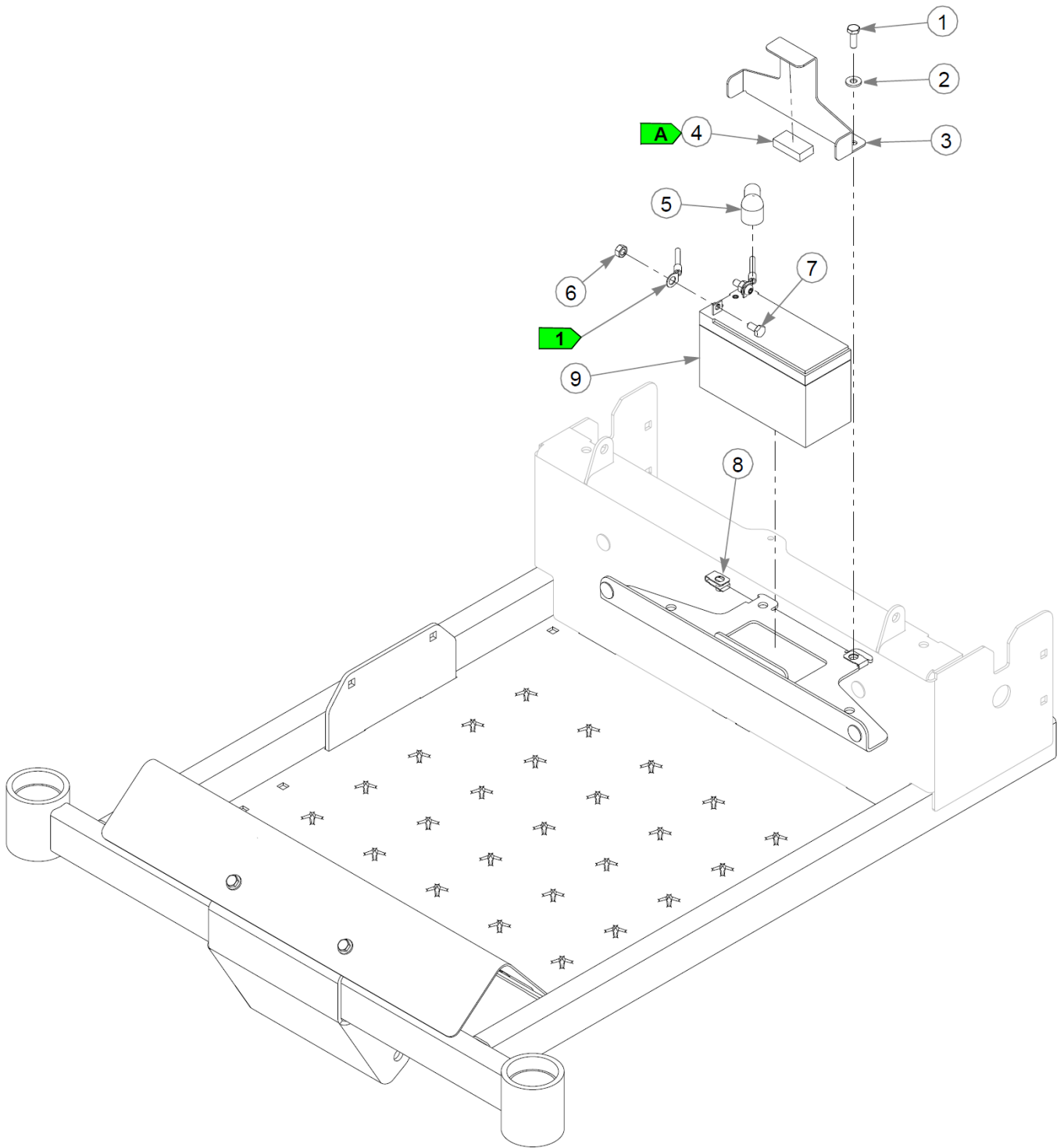


## Engine & Muffler Guards

Item	Part No.	Qty	Name
1	126971-6	3	ENGINE GUARD STRAP
2	016832	6	NT .312-18FLKG5
3	127419-6	1	GUARD - MUFFLER
4	555896	1	SVC, ENGINE GUARD
5	037887	6	CB .312-18X 1.000 FUL ZN
6	608311	1	DECAL, H
7	608312	1	DECAL, HUSTLER

Comments for Page: Engine & Muffler Guards

1. The engine guard includes the decals.

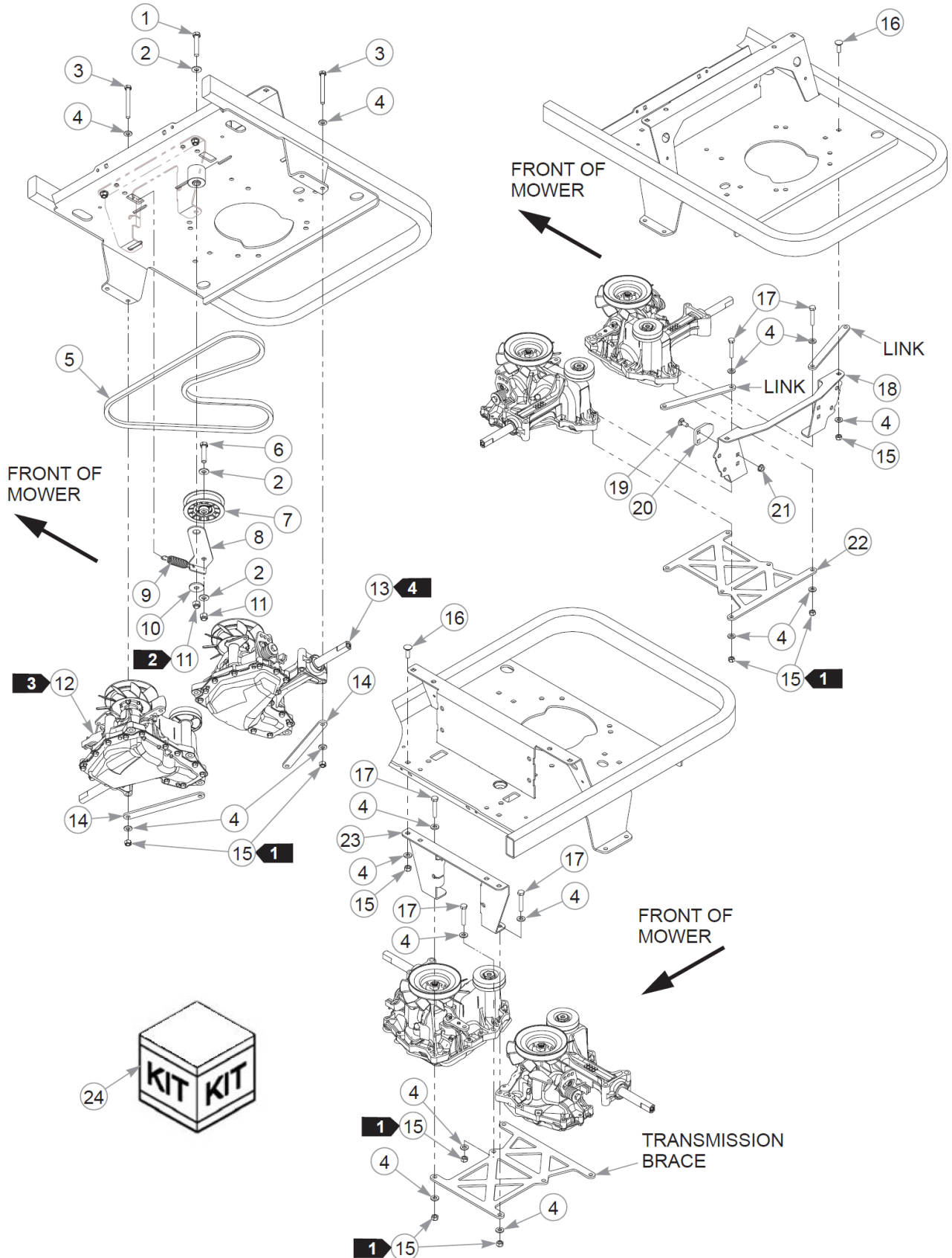


# Battery

Item	Part No.	Qty	Name
1	055939	2	CS .250-20X0.75 HX G5 ZN
2	768515	2	FW 0.281SAE
3	608018-3	1	BATTERY HOLD DOWN
4	713198	1.5"	SEAL 3/8x3/4 SOLD BY FT
5	601319	1	POS. BATTERY CABLE BOOT
6	024927	2	NT .250-20HXG5
7	055947	2	CS .250-20X0.50 HX G5 ZN
8	601982	2	CN .250-20X .150 MAX THK
9	607723	1	BATTERY, AGM 12V 9AMH

Comments for Page: Battery

1. When performing service on the mower, disconnect the negative battery cable (black) and do not reconnect it to the battery until ready to start the engine.



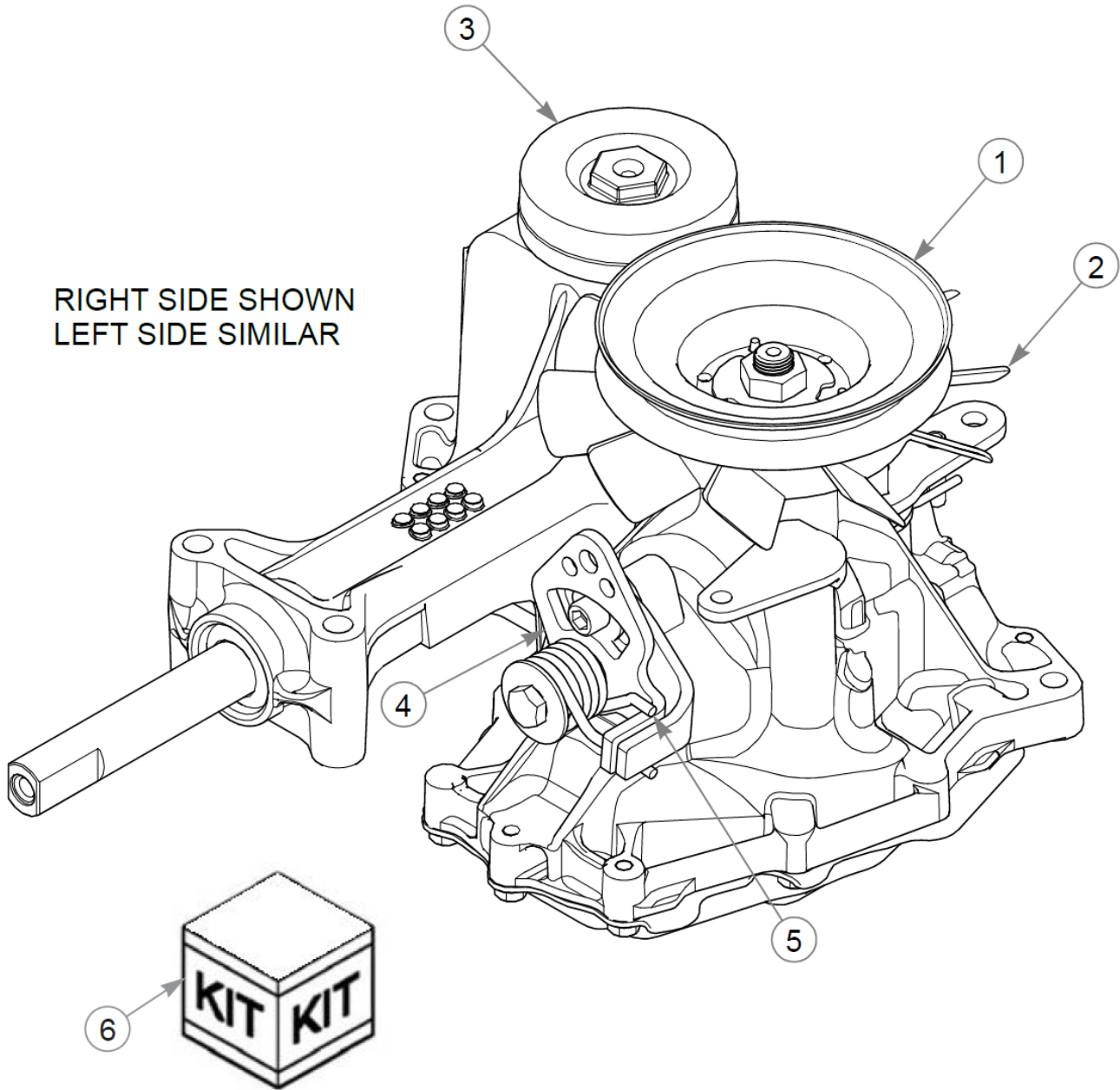
# Transmissions & Drive Belt

Item	Part No.	Qty	Name
1	016410	1	CS .375-16X2.000HXG5
2	767954	3	FW 0.379X.82X.06 HD ZN
3	043067	4	CS .312-18X3.000HXG5
4	768523	24	FW 0.343SAE
5	606997	1	DRIVE BELT
6	705160	1	CS .375-16X1.625HXG5
7	607163	1	PULLEY, 3" FLAT POLY
8	124545-4	1	TENSIONER ARM
9	607201	1	SPRING, EXTENSION
10	712893	1	FW 0.406X1.25X.12 HD ZN
11	086660	2	NT .375-16NLG8
12	606994	1	TRANSMISSION, ZT1800
13	606995	1	TRANSMISSION, ZT1800
14	125017-1	2	LINK
15	058776	14	NT .312-18NLG5
16	037887	4	CB .312-18X 1.000 FUL ZN
17	050161	6	CS .312-18X1.750HXG5
18	126968-1	1	TRANSMISSION BRACE
19	016253	2	CB .312-18X .750 FUL ZN
20	127080-1	1	ANCHOR - CLUTCH
21	016832	2	NT .312-18FLKG5
22	126969-1	1	TRANSMISSION BRACE
23	126967-1	1	TRANSMISSION BRACE
24	608515	1	KIT - SEAL, ZT1800

Comments for Page: Transmissions & Drive Belt

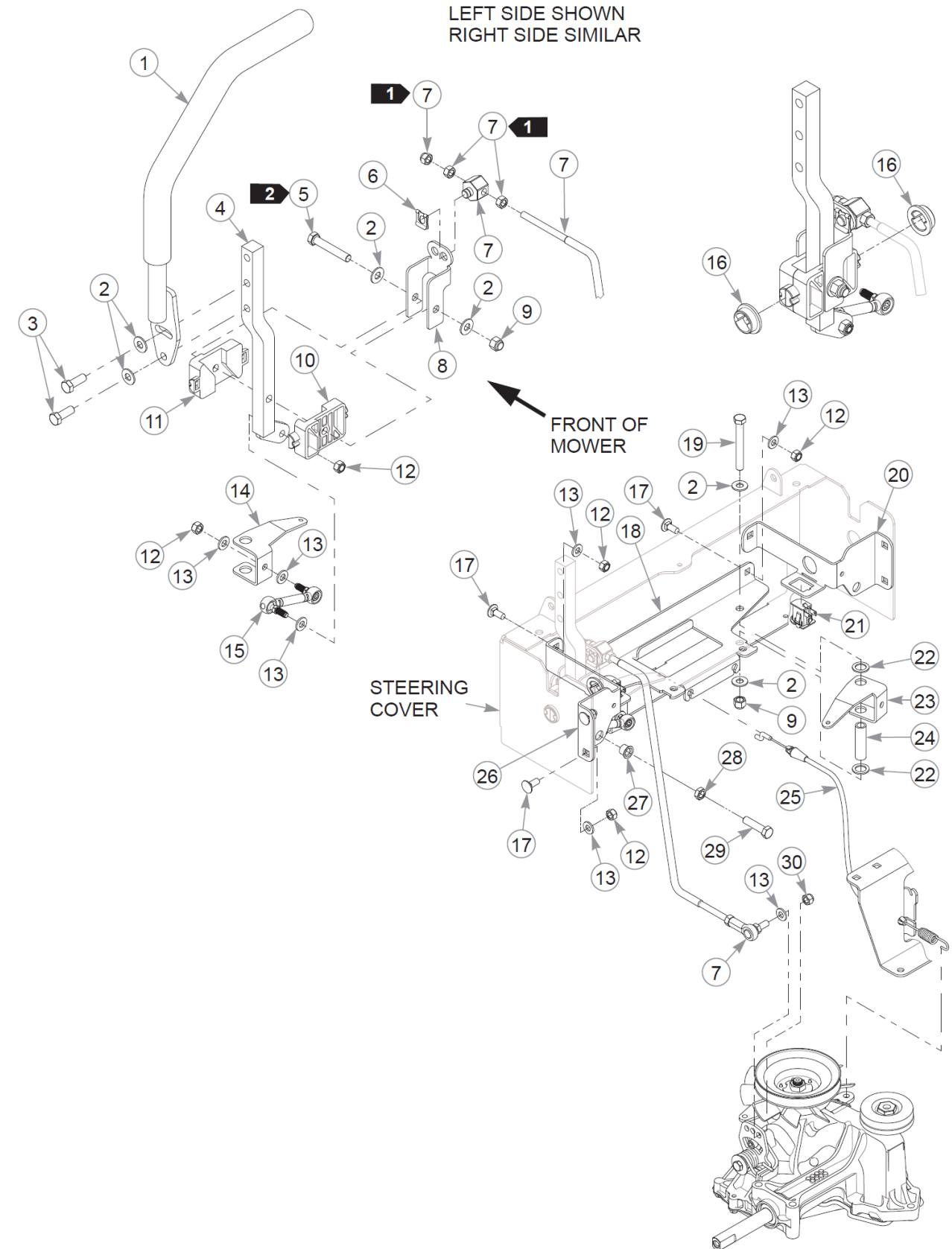
1. Torque to 23 N•m.
2. Tighten the nut, but make sure the tensioner arm still pivots freely.
3. Right side transmission.
4. Left side transmission.





# Transmission Service Parts

Item	Part No.	Qty	Name
1	607128	1	KIT, FAN PULLEY
2	607727	1	FAN - 7.0" (10 BLADE)
3	607131	1	BREATHER ASSY
4	607129	1	KIT, RTN
5	607130	1	RTN SPRING
6	608515	1	KIT - SEAL, ZT1800



# Steering & Brake

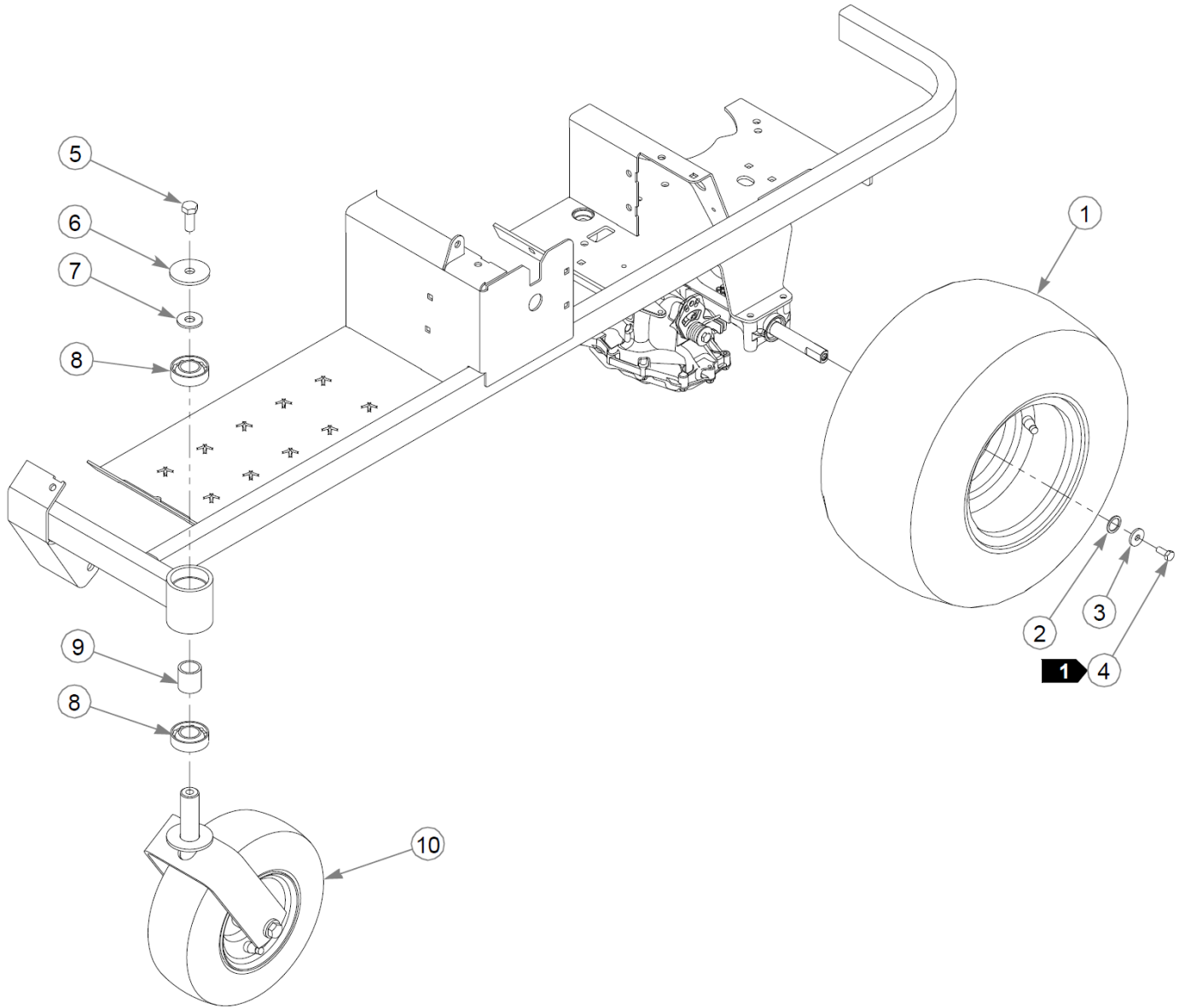
Item	Part No.	Qty	Name
1	607069	2	STEERING BAR W/A
Not Shown	781260	2	GRIP, STEERING BAR
2	767954	12	FW 0.379X.82X.06 HD ZN
3	036244	4	CS .375-16X1.00 HX G5 ZN
4	607073-4	2	STEERING LEVER W/A
5	056036	2	CS .375-16X2.250HXG5
6	606575	2	CLIP, SAFETY
7	607686	2	STEERING ROD S/A
8	124628-3	2	STEERING LINK
9	086660	4	NT .375-16NLG8
10	607077	2	STEERING BLOCK A
11	607076	2	STEERING BLOCK B
12	058776	12	NT .312-18NLG5
13	768523	16	FW 0.343SAE
14	125240-3	1	BRAKE LINK LH
15	604179	2	BRAKE LINK
16	607078	4	STEERING BUSHING
17	016253	8	CB .312-18X .750 FUL ZN
18	126353-1	1	BRAKE CABLE BRACKET
19	016444	2	CS .375-16X3.000HXG5
20	554831	1	SVC, STEERING BRACKET R
21	793315	2	SWITCH, SNAP MOUNT
22	608017	4	FW .580X.875X.06 NYLON
23	125241-3	1	BRAKE LINK RH
24	608016	2	SPACER, BRAKE BRACKET
25	607359	2	BRAKE CABLE
26	554832	1	SVC, STEERING BRACKET L
27	808493	2	RIVET NUT, 3/8-16 THREA
28	706168	2	NT .375-16JAMG5
29	604365	2	CS .375-12X1.50 HX G5 ZN
30	023655	2	NT 0.312-24 NL G8

Comments for Page: Steering & Brake

1. Torque to 19 N•m.
2. Torque to 15 N•m and loosen 45 degrees.

3. The steering brackets include the rivet nuts.

This page intentionally left blank



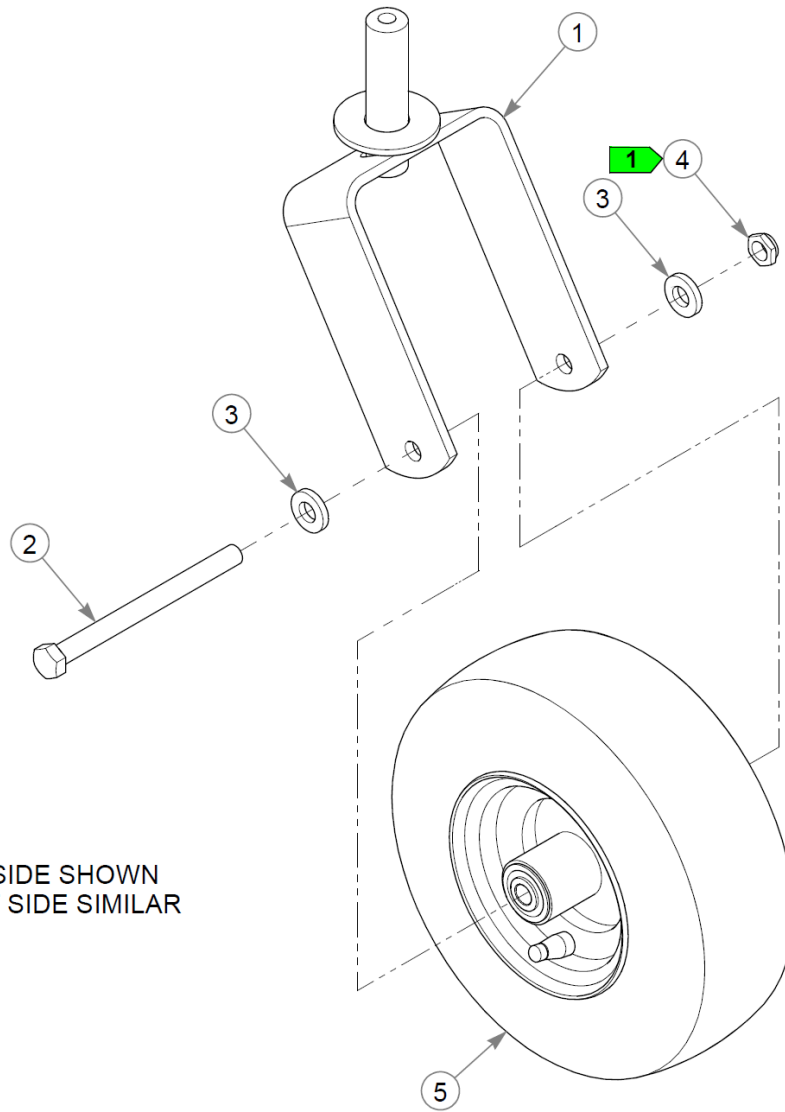
# Wheels & Tires

Item	Part No.	Qty	Name
1	607807	2	TIR/WHL 18X8.50-8 BLK
2	608614	2	FW .750X1.000X.063 RBBR
3	712927	2	FW 0.344X1.00X.12 HD ZN
4	606989	2	CS .312-24 X .750 HX G5
5	705954	2	CS .500-13X1.25 HX G5 ZN
6	344267	2	FW .510X2.15X.19 ZN
7	712976	2	FW 0.531X1.38X.12 ZN
8	784223	4	BEARING
9	784603	2	SPACER
10		2	REFER TO "FRONT WHEEL ASSEMBLY"

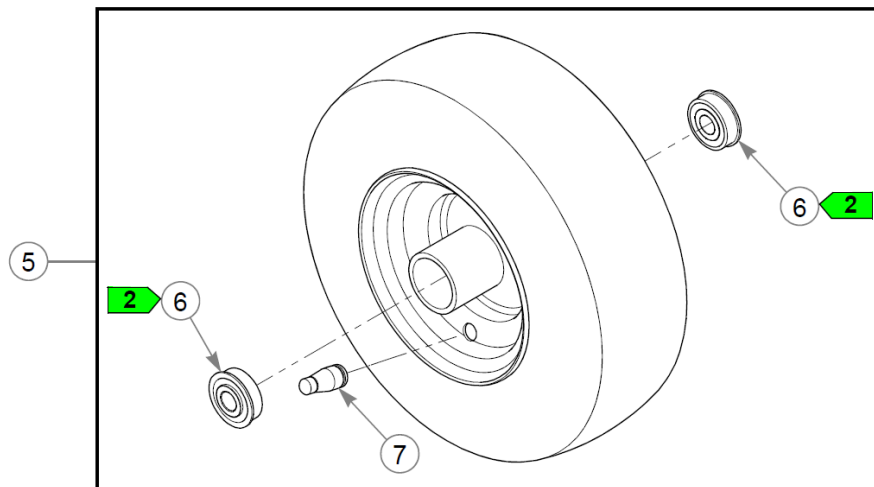
Comments for Page: Wheels & Tires

1. Torque to 23 N•m.





LEFT SIDE SHOWN  
RIGHT SIDE SIMILAR



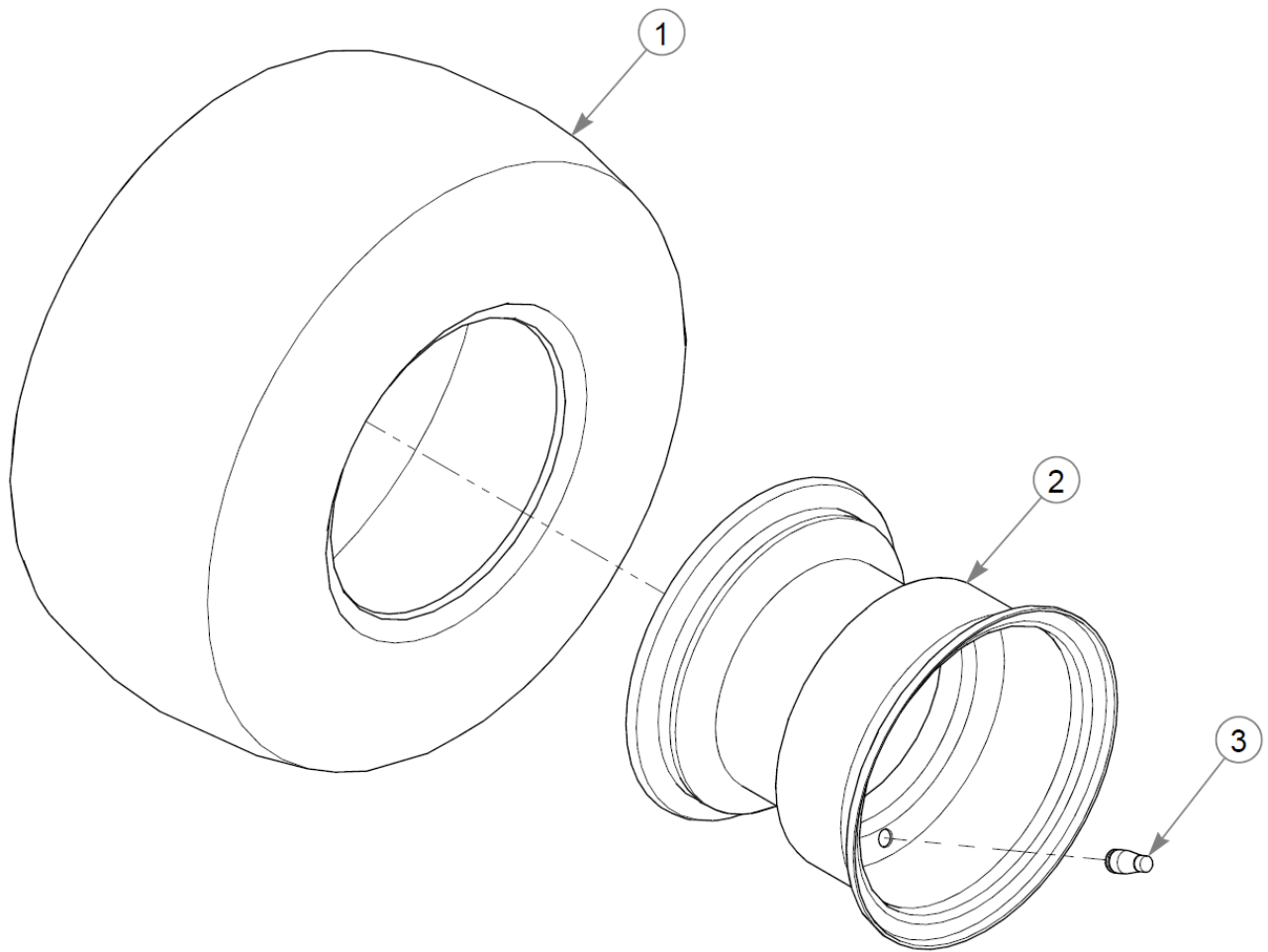
## Front Wheel Assembly

Item	Part No.	Qty	Name
1	110116	1	CASTER FORK W/A
2	604718	1	CS .500-13X6.00 HX G5 ZN
3	767962	2	FW .531 x 1.063 x .175
4	707398	1	NT .500-13 JAM NY LK
5	607297	1	TIR/WHL 11X4.00-5 BLK
6	607026	2	BEARING, BALL SEALED
7	019521	1	TIRE VALVE TR-412 GOODY

Comments for Page: Front Wheel Assembly

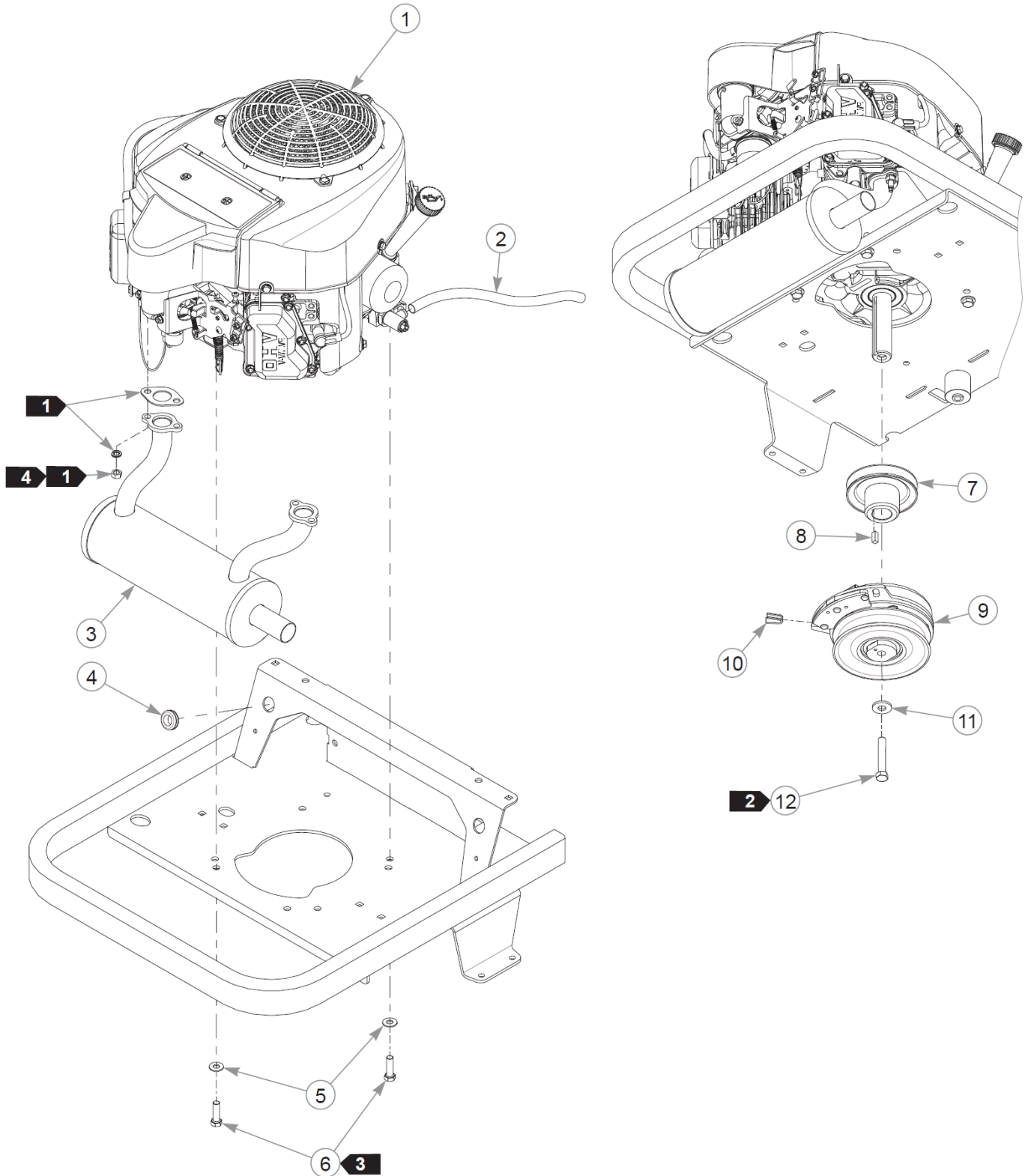
1. Tighten, then back off the nut until the wheel spins freely.
2. Refer to the General Service Manual for wheel bearing service procedures.

The wheel assembly (607297) includes items 6 & 7.

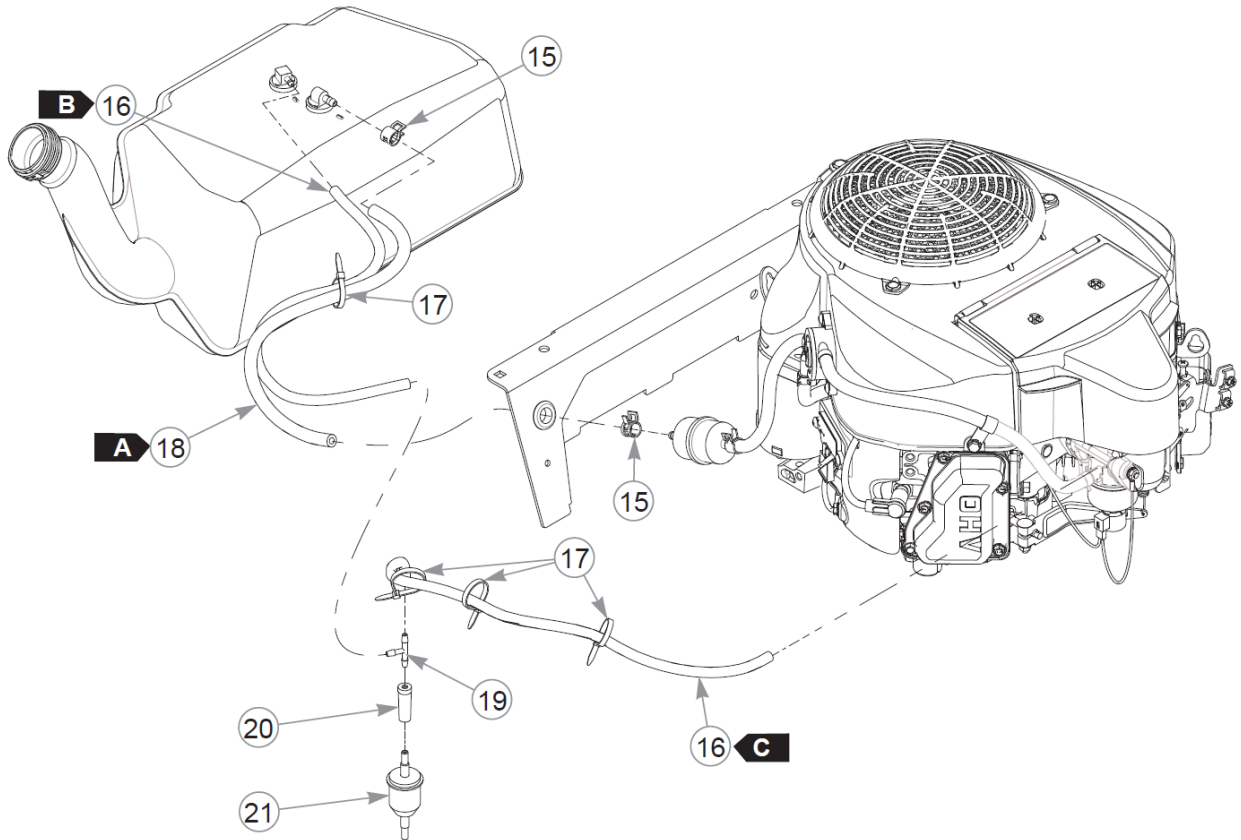
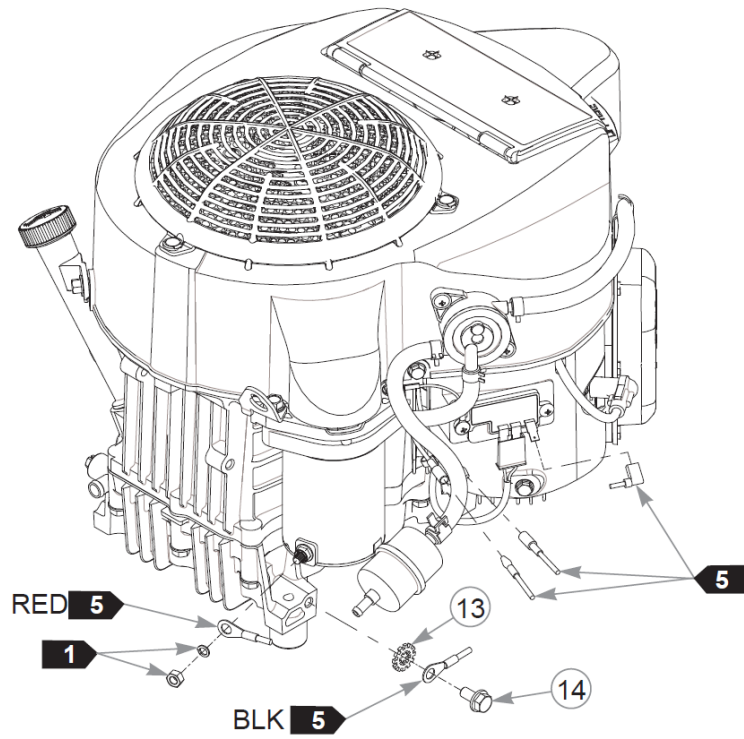


# Drive Wheel Assembly

Item	Part No.	Qty	Name
1	607795	1	18X8.50-8 B2R BIG BITE TIRE
2	607844	1	WHL 8X7.00 0X0.0 BLK
3	019521	1	TIRE VALVE TR-412 GOODY



This page intentionally left blank



Item	Part No.	Qty	Name
1		1	ENGINE, KAW FR541V
2	604463	30	HOSE, OIL DRAIN
3	607853	1	MUFFLER
4	601400	1	GM .63 x1.13 x.88 x .13
5	767954	4	FW 0.379X.82X.06 HD ZN
6	602580	4	CS .375-16X1.25HXG8ZYP85
7	608015	1	PULLEY - ENGINE
8	712372	1	KEY 1/4 SQ X 0.66 LG(FS)
9	605827K	1	S/C TO 127340
Not Shown	127340	1	KIT - CLUTCH
10	605595	1	BUSHING, CLUTCH
11	602680	1	FW .453X1.12X.12 HRD ZN
12	785659	1	CS .437-20X2.50 HXG5 P85
13	029876	1	LW .312 INTEXT ZN
14	720516	1	CS M8-1.25X16HX FL10.9
15	000323	2	CLIP, HOSE CLAMP
16	603326	114	VAPOR LINE, 3/16"
<p>Comments for Part Num. 603326</p> <p>Sold by the foot.</p>			
17	000331	4	WIRE TIE, SMALL/SHORT
18	015818	46	FUEL LINE, 1/4"
<p>Comments for Part Num. 015818</p> <p>Sold by the foot.</p>			
19	604281	1	TEE, 3/16" PLASTIC
20	604292	1	BOOT, 3/16" TO 1/4" BARB
21	604323	1	VAPOR SYSTEM FILTER

Comments for Page: Engine, Muffler, Clutch & Fuel System (Multi-Page)

1. Supplied with the engine.
2. Torque to 61–65 N•m. Replace (do not reuse) the cap screw if it is removed or loosened. Use only hand tools to install this fastener.
3. Torque to 41–47 N•m. Replace (do not reuse) the cap screw if it is removed or loosened. Use only hand tools to install this fastener.
4. Torque to 23 N•m.
5. Part of the wire harness.



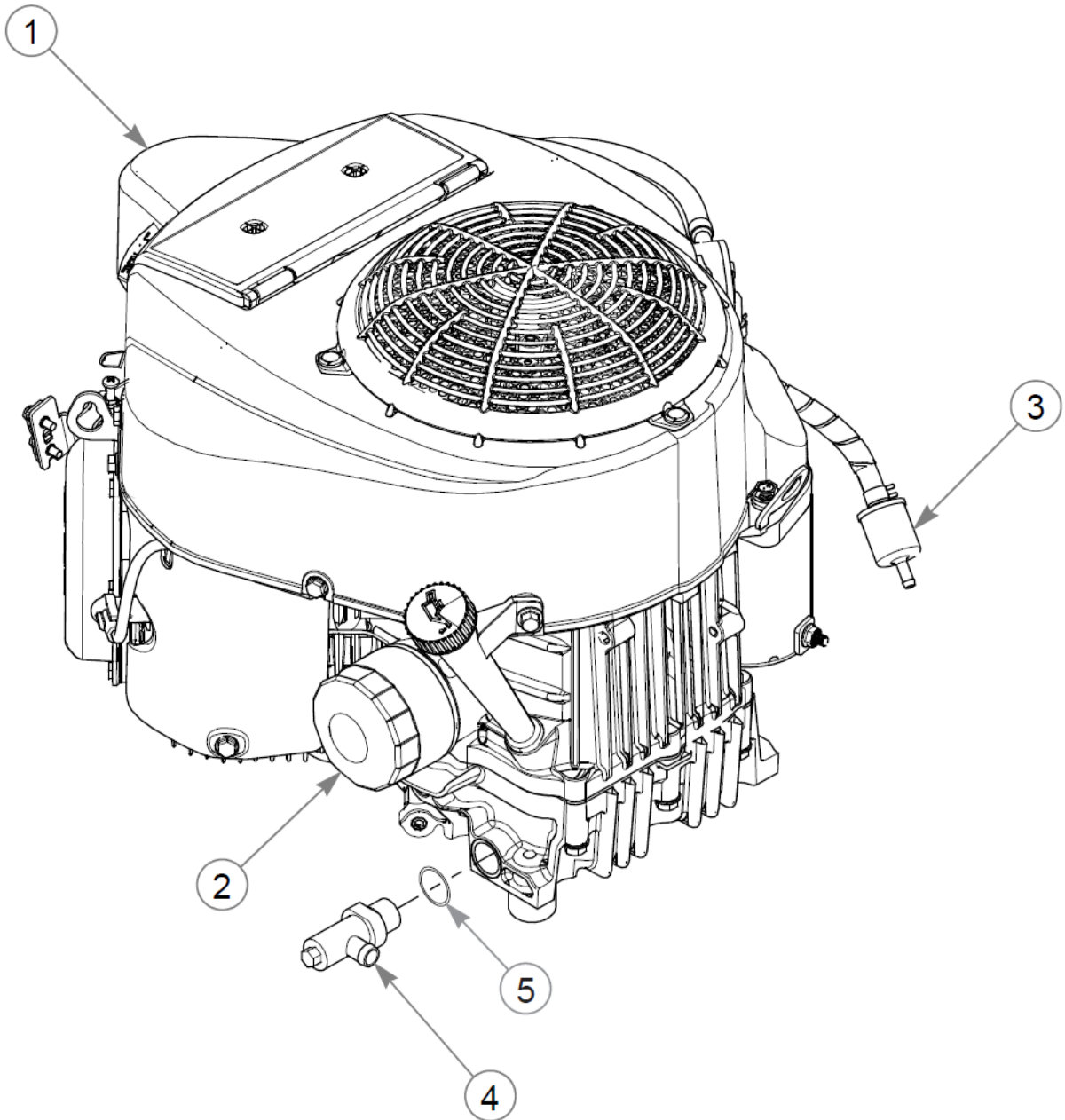
FUEL & VAPOR LINE LENGTHS

A: 46 cm TANK TO FUEL FILTER (FUEL)

B: 48 cm TANK TO TEE (VAPOR)

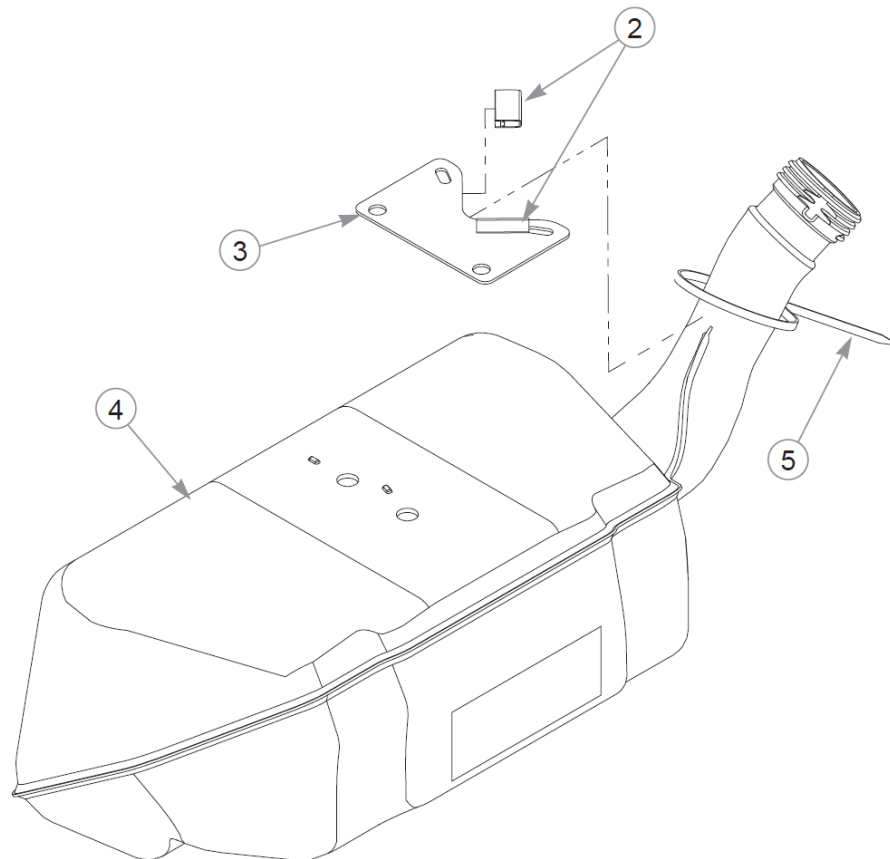
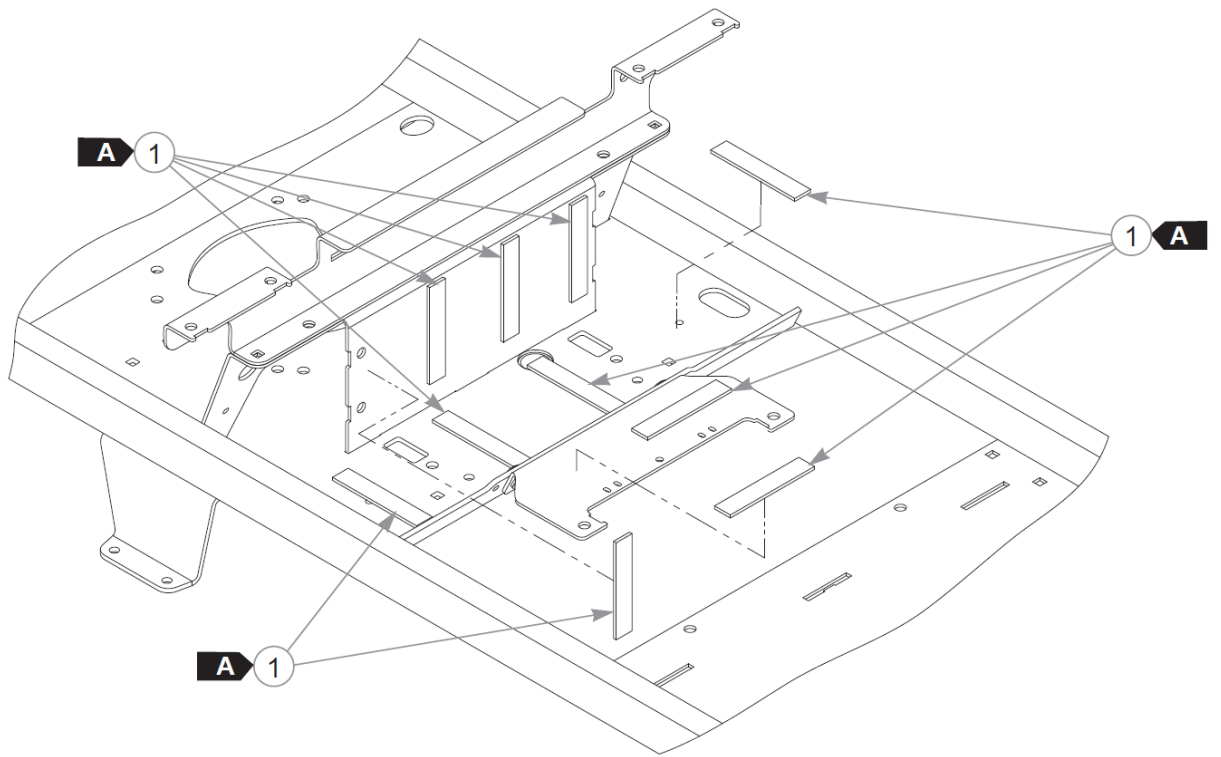
C: 66 cm TEE TO ENGINE (VAPOR)

This page intentionally left blank

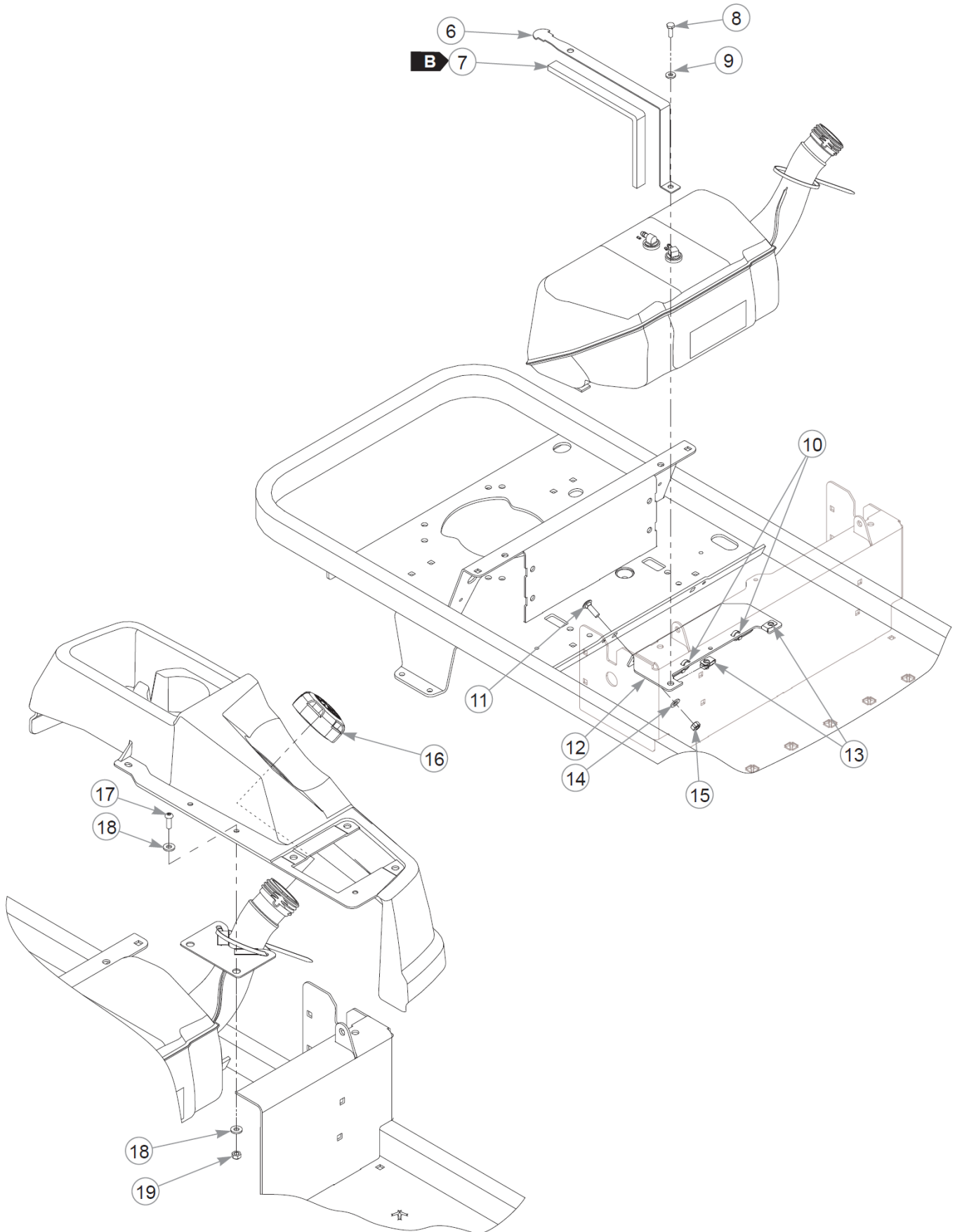


# Engine Service Parts - FR541V

Item	Part No.	Qty	Name
1	603059	1	AIR FILTER - MAIN
2	602581	1	ENGINE OIL FILTER
3	068478	1	FUEL FILTER - IN LINE
4	604350	1	VALVE, OIL DRAIN
5	604369	1	O-RING



This page intentionally left blank



Item	Part No.	Qty	Name
1	608040	100	RUBBER STRIP
2	604966	2	TRIM LOCK, 1.13"
3	127226-1	1	SUPPORT - FUEL TANK
4	607925	1	FUEL TANK ASM
5	000430	1	WIRE TIE, SMALL/LONG
6	127225-1	2	STRAP - FUEL TANK
7	713198	68	SEAL 3/8x3/4 SOLD BY FT
8	055939	2	CS .250-20X0.75 HX G5 ZN
9	768515	2	FW 0.281SAE
10	000331	2	WIRE TIE, SMALL/SHORT
11	037887	2	CB .312-18X 1.000 FUL ZN
12	127224-1	1	SUPPORT - FUEL TANK
13	601982	2	CN .250-20X .150 MAX THK
14	768523	2	FW 0.343SAE
15	058776	2	NT .312-18NLG5
16	607731	1	CAP - 2.25" KELCH
17	605473	2	CS .250-20X0.75 BH TX BZ
18	605628	4	FW 0.281X.63X.07 ZB
19	068551	2	NT .250-20 HXZY NL

Comments for Page: Fuel System (Multi-Page)

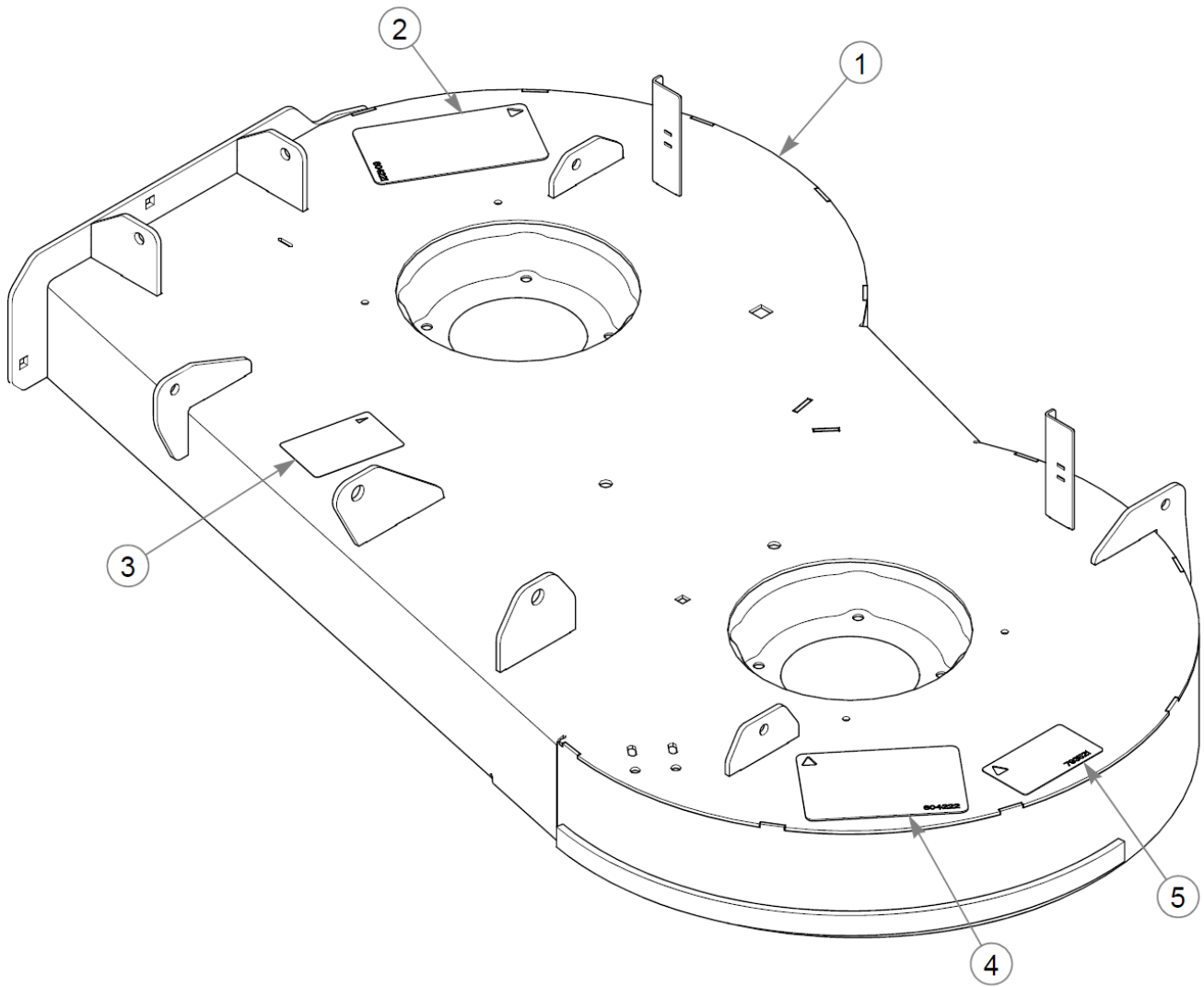
RUBBER STRIP LENGTH

A: 10 cm

SEAL LENGTH

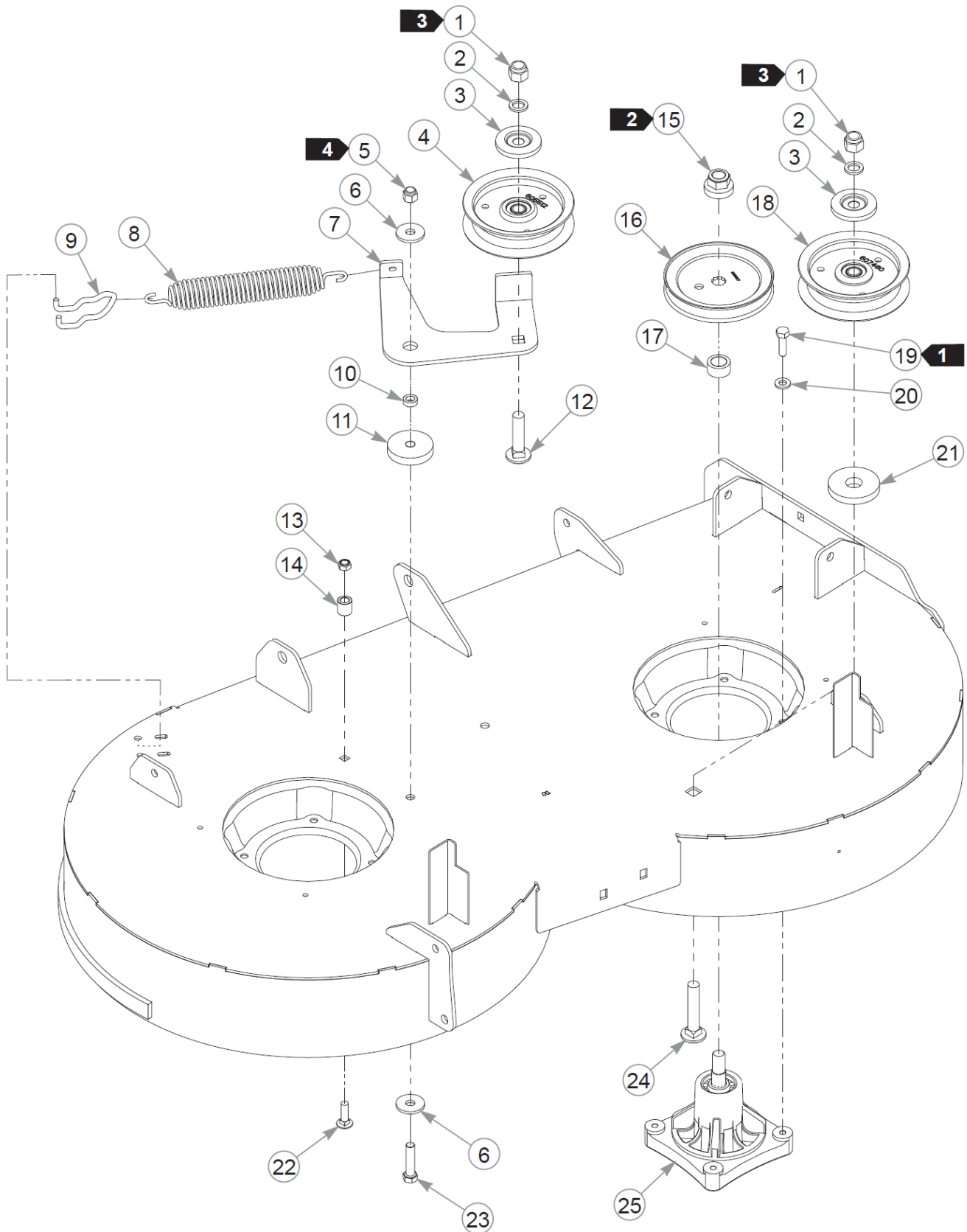
B: 34 cm





# Service Deck

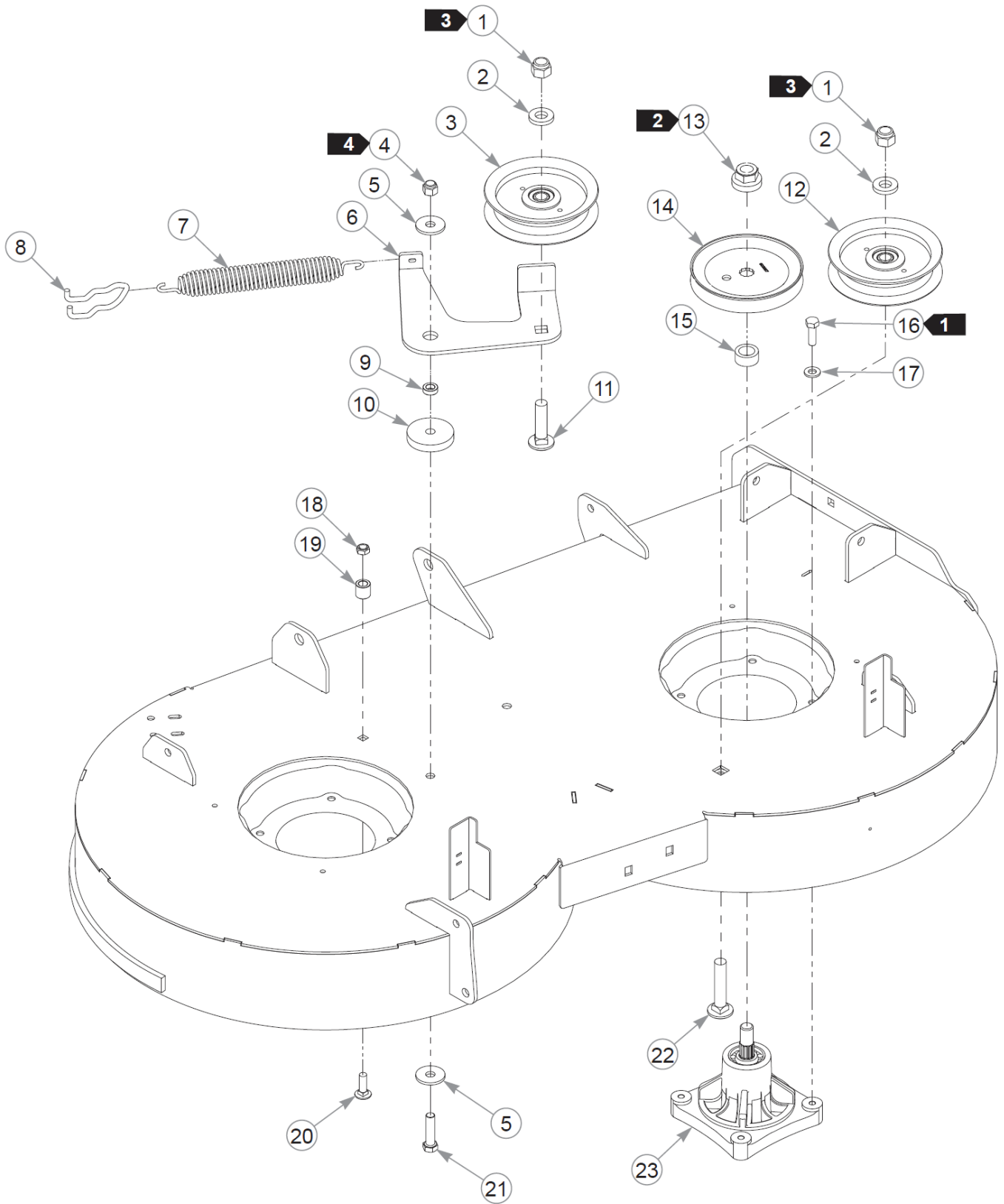
Item	Part No.	Qty	Name
1	554912	1	42" SERVICE DECK
2	604221	1	DECAL, DANGER / CHUTE
3	602243	1	DECAL, BELT ROUTING
4	604222	1	DECAL, DANGER / OBJECTS
5	793521	1	DECAL, 42" DECK ID



Item	Part No.	Qty	Name
1	781567	2	NT .500-13NLG5
2	604486	2	FW .531X.812X.089 HD
3	605467	2	DUST SHIELD
4	605512	1	4" IDLER PULLEY
5	086660	1	NT .375-16NLG8
6	712893	2	FW 0.406X1.25X.12 HD ZN
7	117512	1	IDLER ARM, PIVOTING
8	607616	1	SPRING, DECK IDLER
9	604110	1	ANCHOR, SPRING TENSIONER
10	601839	1	PIVOT SPACER BUSHING
11	117539	1	SPACER, IDLER ARM
12	604253	1	CB .50-13 X 2.00 STD ZN
13	604251	1	NT .312-18 HXNL JAM G2ZN
14	122398	1	TENSIONING PULLEY STOP
15	606943	2	NT .562-18 HX NLG5
16	603987	2	PULLEY, 12 POINT
17	604123	2	SPACER, PULLEY
18	607480	1	IDLER PULLEY, 4.00"
19	036236	8	CS .312-18X1.000HXG5
20	768523	8	FW 0.343SAE
21	605508	1	FW .73X2.25X.31 ZN
22	037887	1	CB .312-18X 1.000 FUL ZN
23	080655	1	CS .375-16X1.500HXG5
24	604254	1	CB .50-13 X 2.50 STD ZN
25	604214	2	SPINDLE ASSY, RAP/ALP

Comments for Page: Deck Pulleys & Spindles - S/N 20053631 & HIGHER

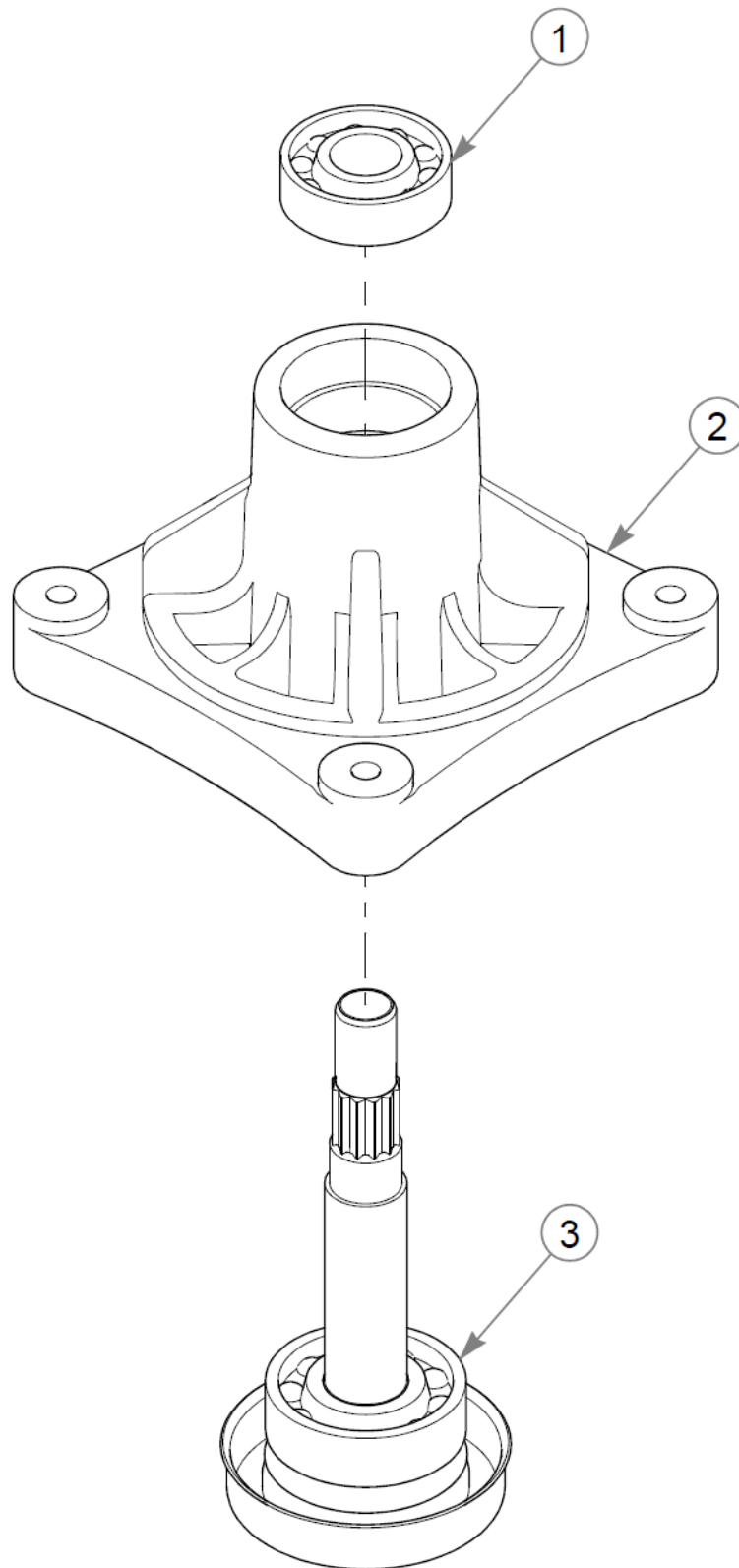
1. Torque to 23 N•m.
2. Torque to 102 N•m.
3. Torque to 99 N•m.
4. Torque to 41 N•m. The idler arm must pivot freely.



Item	Part No.	Qty	Name
1	781567	2	NT .500-13NLG5
2	767962	2	FW .531 x 1.063 x .175
3	605512	1	4" IDLER PULLEY
4	086660	1	NT .375-16NLG8
5	712893	2	FW 0.406X1.25X.12 HD ZN
6	117512	1	IDLER ARM, PIVOTING
7	607616	1	SPRING, DECK IDLER
8	604110	1	ANCHOR, SPRING TENSIONER
9	601839	1	PIVOT SPACER BUSHING
10	117539	1	SPACER, IDLER ARM
11	604253	1	CB .50-13 X 2.00 STD ZN
12	126123	1	SVC KIT 604219 PULLEY
13	606943	2	NT .562-18 HX NLG5
14	603987	2	PULLEY, 12 POINT
15	604123	2	SPACER, PULLEY
16	036236	8	CS .312-18X1.000HXG5
17	768523	8	FW 0.343SAE
18	604251	1	NT .312-18 HXNL JAM G2ZN
19	122398	1	TENSIONING PULLEY STOP
20	037887	1	CB .312-18X 1.000 FUL ZN
21	080655	1	CS .375-16X1.500HXG5
22	604254	1	CB .50-13 X 2.50 STD ZN
23	604214	2	SPINDLE ASSY, RAP/ALP

Comments for Page: Deck Pulleys & Spindles - S/N PRIOR TO 20053631

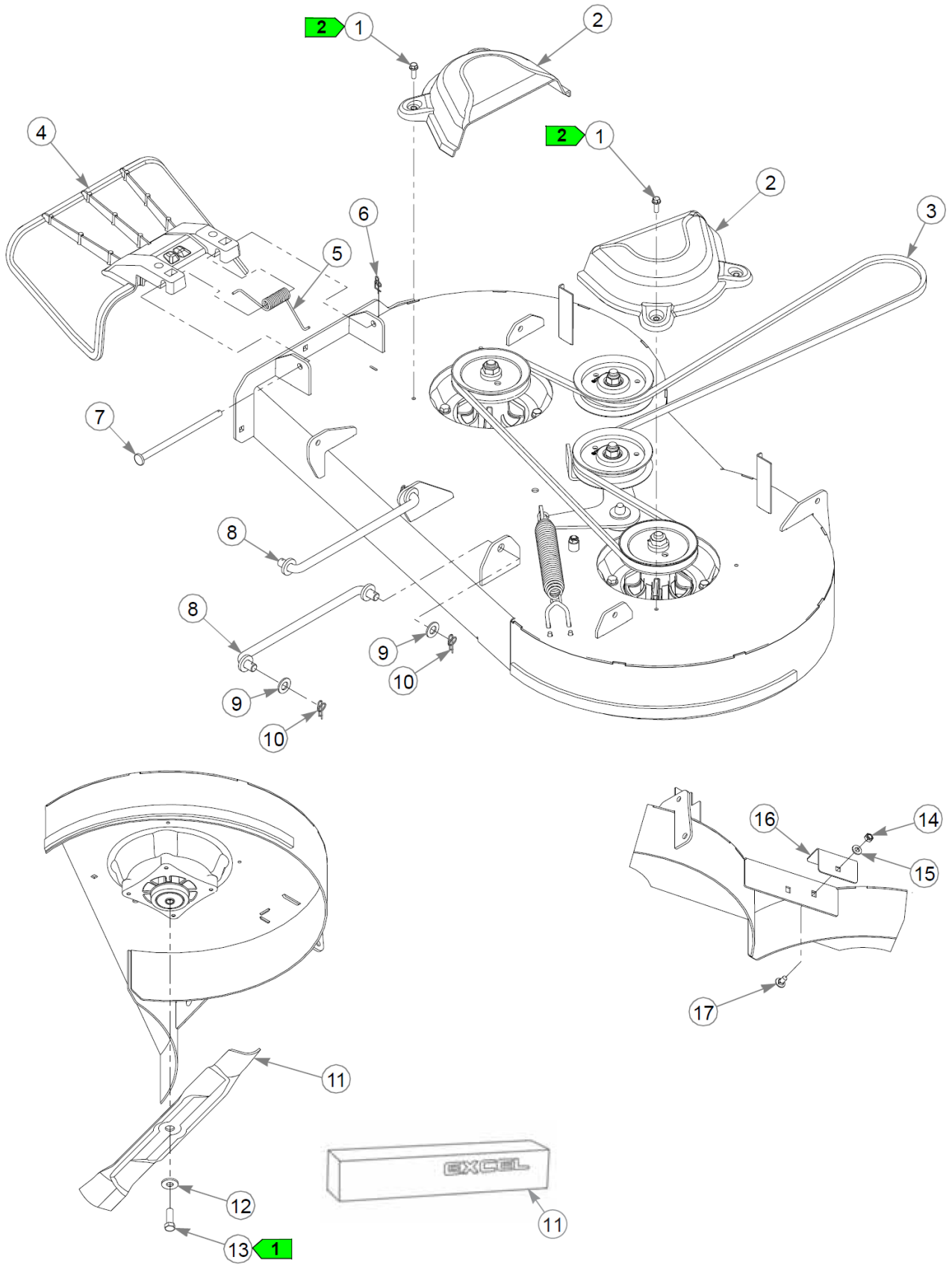
1. Torque to 23 N•m.
2. Torque to 102 N•m.
3. Torque to 99 N•m.
4. Torque to 41 N•m. The idler arm must pivot freely.



# Spindle Service Parts - 604214

Item	Part No.	Qty	Name
1	604019	1	BEARING, SPINDLE
2	604218	1	CAST HOUSING
3	607274	1	SVC SHAFT



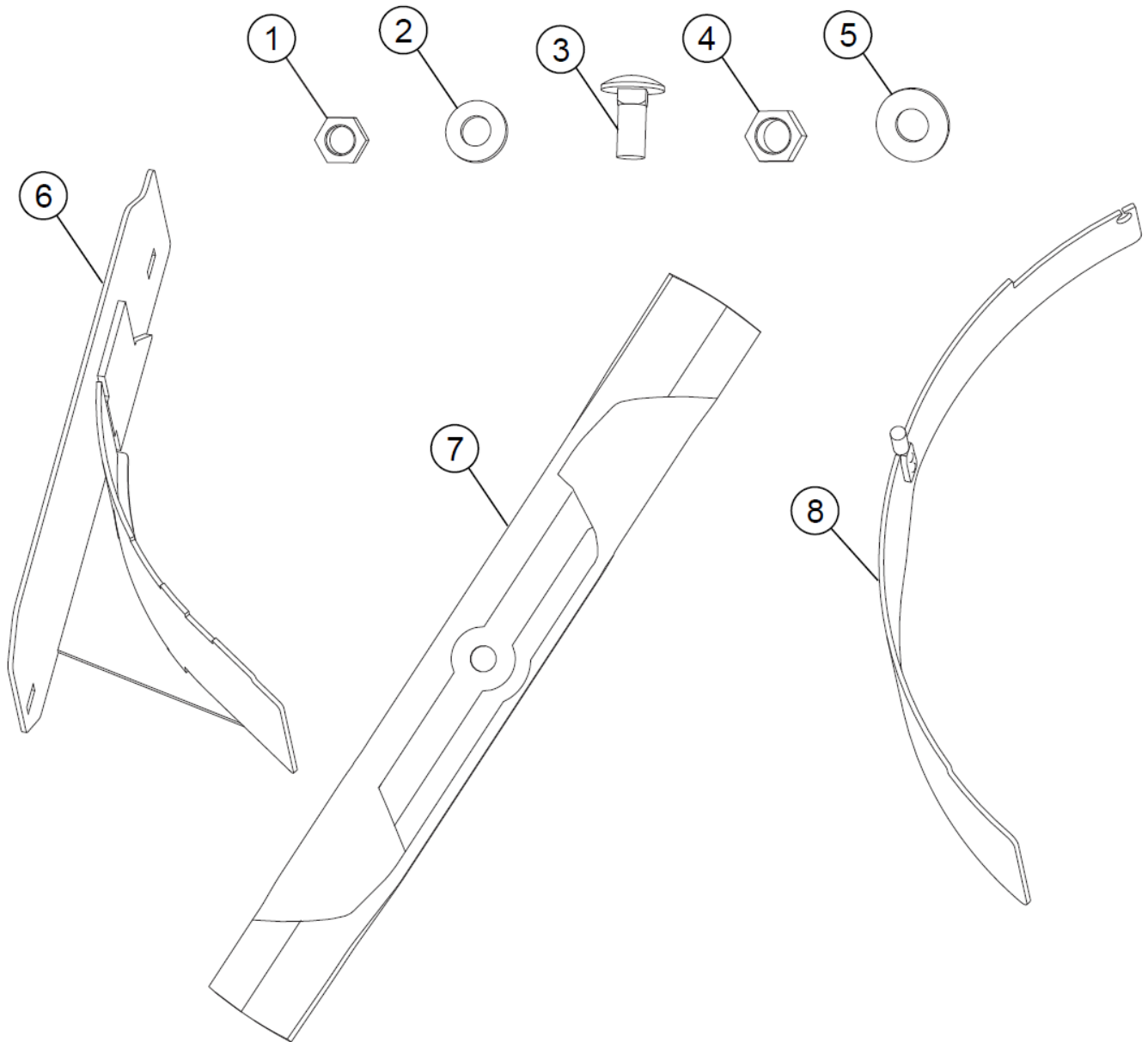


# Deck Belt, Pulley Covers & Blades

Item	Part No.	Qty	Name
1	604324	4	CS .250-20 X .75 HX FLG
2	604403	2	PULLEY COVER
3	607059	1	DECK BELT
4	607145	1	DISCHARGE CHUTE
5	607146	1	CHUTE SPRING
6	607093	1	CP, RUE RING .054 X .392
7	607157	1	PIN, DISCHARGE CHUTE
8	608583-4	2	PULLER, DECK W/A
9	004168	4	FW .531x1.00x.090 ZN
10	607051	4	CP, RUE RING .062 X .520
11	607310	2	BLADE, 20.50" MULCH-F-CW
Not Shown	607310X	1	10PK BLADE, 20.50" MULCH
Not Shown	794230	2	BLADE,20.50"GAT-F-CW
Not Shown	794230X	1	10PK BLADE, 20.50"-GAT-F
Not Shown	607564	2	BLADE, 20.50"-L-F-CW
Not Shown	607564X	1	10 PK, BLADE 20.50"
12	602680	2	FW .453X1.12X.12 HRD ZN
13	754101	2	CS .437-20X1.250HXG5
14	604251	1	NT .312-18 HXNL JAM G2ZN
15	768523	1	FW 0.343SAE
16	607262-4	1	PLATE, WEAR
17	083147	1	CB .312-18X .620 G5 ZN

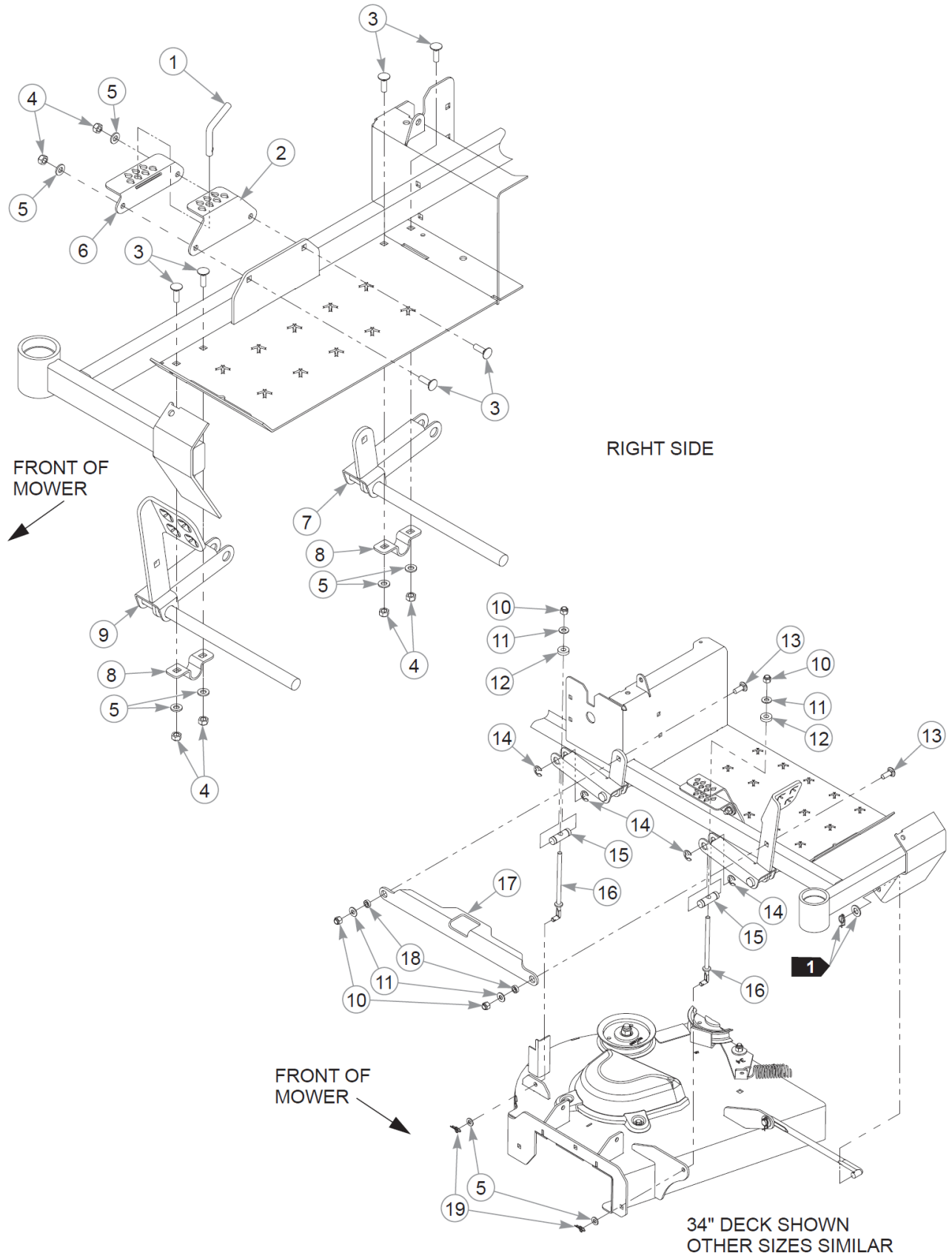
Comments for Page: Deck Belt, Pulley Covers & Blades

1. Torque to 65 N•m.
2. Torque to 2.71–8.13 N•m on these 4 self-tapping screws.

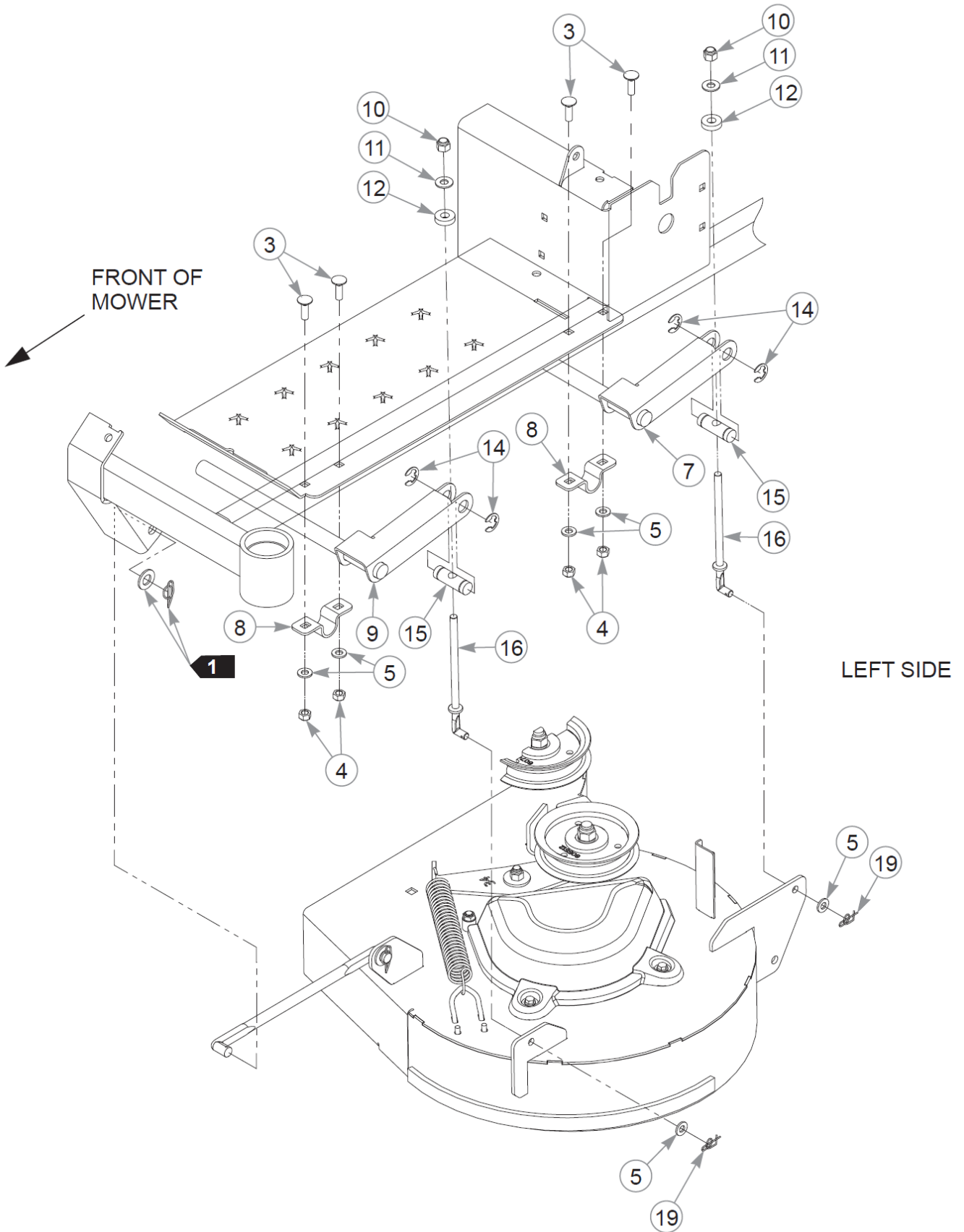


# 42" Mulch Kit

Item	Part No.	Qty	Name
1	058776	2	NT .312-18NLG5
2	768523	2	FW 0.343SAE
3	016253	2	CB .312-18X .750 FUL ZN
4	086660	1	NT .375-16NLG8
5	767954	1	FW 0.379X.82X.06 HD ZN
6	125079-3	1	MULCH CLOSE OFF
7	607310	2	BLADE, 20.50" MULCH-F-CW
8	109312	1	BAFFLE MULCH, COMMON



This page intentionally left blank



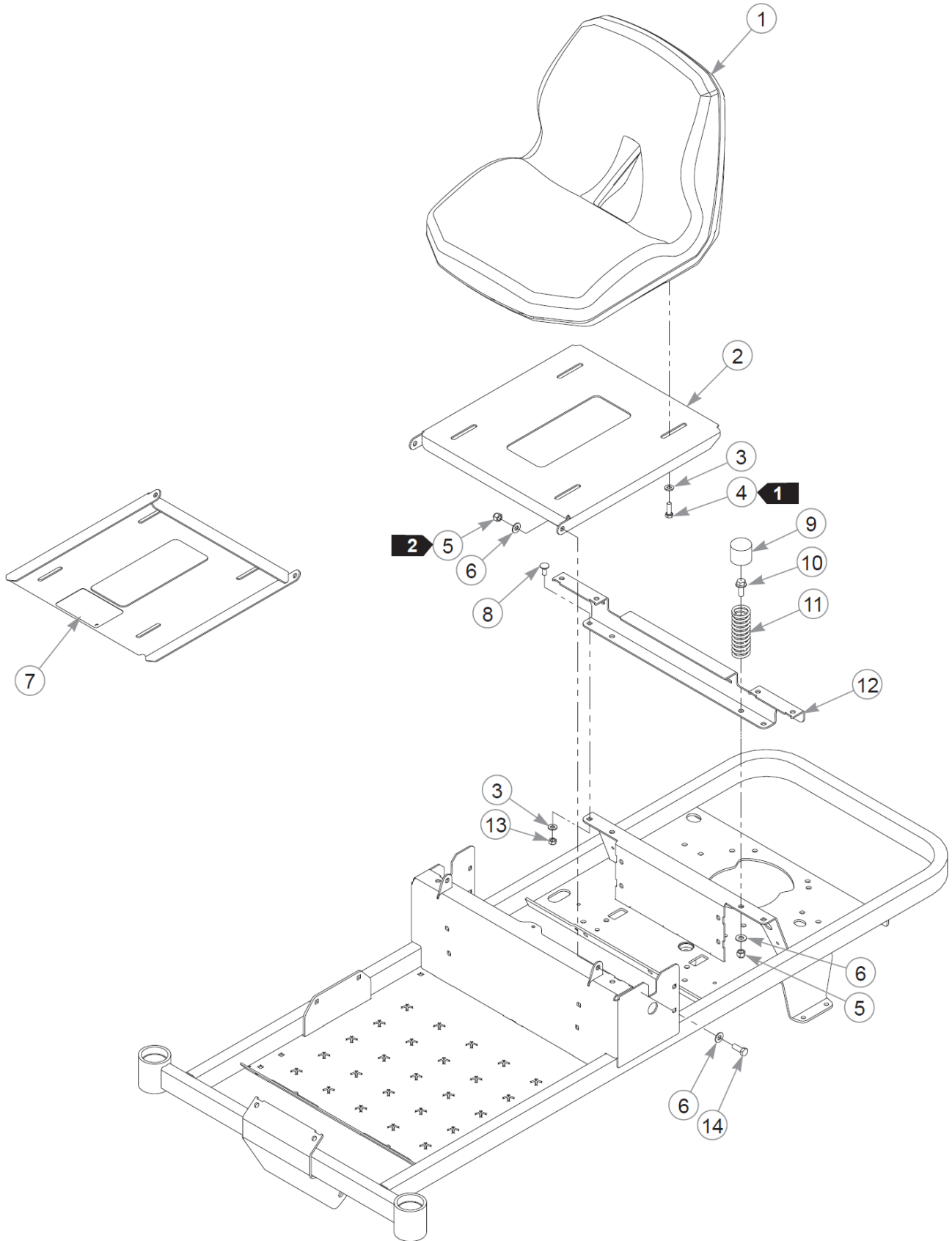
Item	Part No.	Qty	Name
1	601963	1	PIN, DECK HEIGHT STOP
2	125228-1	1	DECK LIFT BRACKET
3	037887	10	CB .312-18X 1.000 FUL ZN
4	058776	10	NT .312-18NLG5
5	768523	14	FW 0.343SAE
6	125229-1	1	DECK LIFT BRACKET
7	126103-1	1	DECK LIFT W/A, REAR
8	124635-3	4	DECK LIFT STRAP
9	126102-1	1	DECK LIFT W/A, FRONT
10	086660	6	NT .375-16NLG8
11	767954	6	FW 0.379X.82X.06 HD ZN
12	605114	4	FW .41X.94X.25 UHMW
13	025395	2	CB .375-16X 1.00 G5 ZN
14	791673	8	CLIP E,.625x.480x.042 Z
15	118018	4	PIVOT, DECK LIFT
16	608334	4	DECK HANGER
17	125233-4	1	DECK LIFT LINK
18	601839	2	PIVOT SPACER BUSHING
19	607093	4	CP, RUE RING .054 X .392

Comments for Page: Deck Lift & Mounting Hardware (Multi-Page)

1. Part of the Deck Assembly.



Seat



# Seat

Item	Part No.	Qty	Name
1	608053	1	SEAT, SK120
2	554825	1	SVC, SEAT PAN
3	768523	6	FW 0.343SAE
4	036236	4	CS .312-18X1.000HXG5
5	086660	4	NT .375-16NLG8
6	767954	6	FW 0.379X.82X.06 HD ZN
7	601815	1	DECAL, BATTERY WARNINGS
8	016253	2	CB .312-18X .750 FUL ZN
9	607838	2	CAP
10	029751	2	CS .375-16X1.00 HXF G5ZN
11	793851	2	SPRING,COMP 1.25X4.00X.
12	124617-1	1	SEAT SUPPORT
13	058776	2	NT .312-18NLG5
14	036244	2	CS .375-16X1.00 HX G5 ZN

Comments for Page: Seat

1. Torque to 9.5 N•m.
2. Do not torque; the seat pan and seat stop must pivot freely.
3. The seat pan includes the decal.