

# **Hustler Sport CE Parts Manual (S/N Prior to 11010000)**

## Contents

General Information .....	1
<b>Frame &amp; Engine Guard Section</b>	
Frame .....	3-1
Engine Guard .....	3-2
<b>Hydraulic &amp; Steering Section</b>	
Hydraulic System .....	4-1
Pump Belt .....	4-2
Steering .....	4-3
Steering Assembly .....	4-4
Park Brake .....	4-5
<b>Wheels &amp; Tires Section</b>	
Wheel & Tire .....	5-1
Wheel & Tire Breakdown .....	5-2
<b>Engine &amp; Fuel Tank Section</b>	
Engine, Kohler SV590 .....	6-1
Engine, Kohler SV715 .....	6-2
Fuel System .....	6-3
<b>Electrical Section</b>	
Instrument Panel .....	7-1
Battery .....	7-2
<b>Deck Section</b>	
42" Deck Decals - Forward Swept .....	8-1
Deck Decals - Rear Swept .....	8-2
48" Deck Decals .....	8-3
42" Deck Pulleys & Spindles - Forward Swept .....	8-4
Deck Pulleys & Spindles .....	8-5
48" Deck Pulleys & Spindles .....	8-6
42" Deck .....	8-7
42" Deck - Rear Swept .....	8-8
48" Deck .....	8-9
Deck Lift .....	8-10
<b>Seat Section</b>	
Seat .....	9-1
Appendix A:Pages Index .....	A
Appendix B:Parts Index .....	B

# Section 1

## General Information

This Manual covers Hustler Sport models **929570CE & 929588CE**.

---

## Frequently Ordered Parts

<b>PART NO.</b>	<b>DESCRIPTION</b>	<b>PART NO.</b>	<b>DESCRIPTION</b>
769133	Pump Drive Belt		
600726	Deck Belt 42"	771634	Deck Belt 48"
601123	Blade, 16.50"-L-F-CW	793794	Blade, 20.50"-L-F-CW
602583	Air Filter, Koh SV715	794370	Air Filter, Koh SV590
747303	Oil Filter, Kohler	068478	Fuel Filter In-Line, Kohler

---

## Service Literature

<b>PART NO.</b>	<b>DESCRIPTION</b>
111176	Hustler Sport Owner's Manual
794479CE	Kohler Engine Manual CE

---

*Note:* When ordering parts, you must use the part number as shown for each part, not the item number. Always give the model and serial number to your parts and service representative.

*Note:* Items sold in bulk such as seals and hoses are sold by the foot.

---

## Using this manual

Illustrations used were current at the time of printing, but subsequent production changes may cause your machine to vary slightly in detail. Excel Industries, Inc. reserves the right to redesign and change the machine as deemed necessary, without notification. If a change has been made to your machine which is not reflected in this parts manual, see your Hustler dealer for current information and parts.

## Hardware Description Codes & Abbreviations

The following codes are used throughout this parts manual. Refer to this list when ordering parts.

<b>ABBREVIATION</b>	<b>DESCRIPTION</b>	<b>ABBREVIATION</b>	<b>DESCRIPTION</b>
CB	Carriage Bolt	MB	Machine Bushing
CE	Clevis Pin	MS	Machine Screw
CP	Cotter Pin	NT	Nut
CN	Clip Nut	SC	Self Tapping Cap Screw
CS	Cap Screw	SH	Socket Head
CW	Cup Washer	SB	Shoulder Bolt
FDRW	Fender Washer	SS	Set Screw
FW	Flat Washer	OD	Outside Diameter
HX	Hex Head	ID	Inside Diameter
LW	Lock Washer		

---

## **Standard Torques**

The following chart lists the standard torque values for the threaded fasteners found in this manual. Torque all cap screws, nuts and set screws to these values unless a different torque is shown in the Notes section next to the fastener

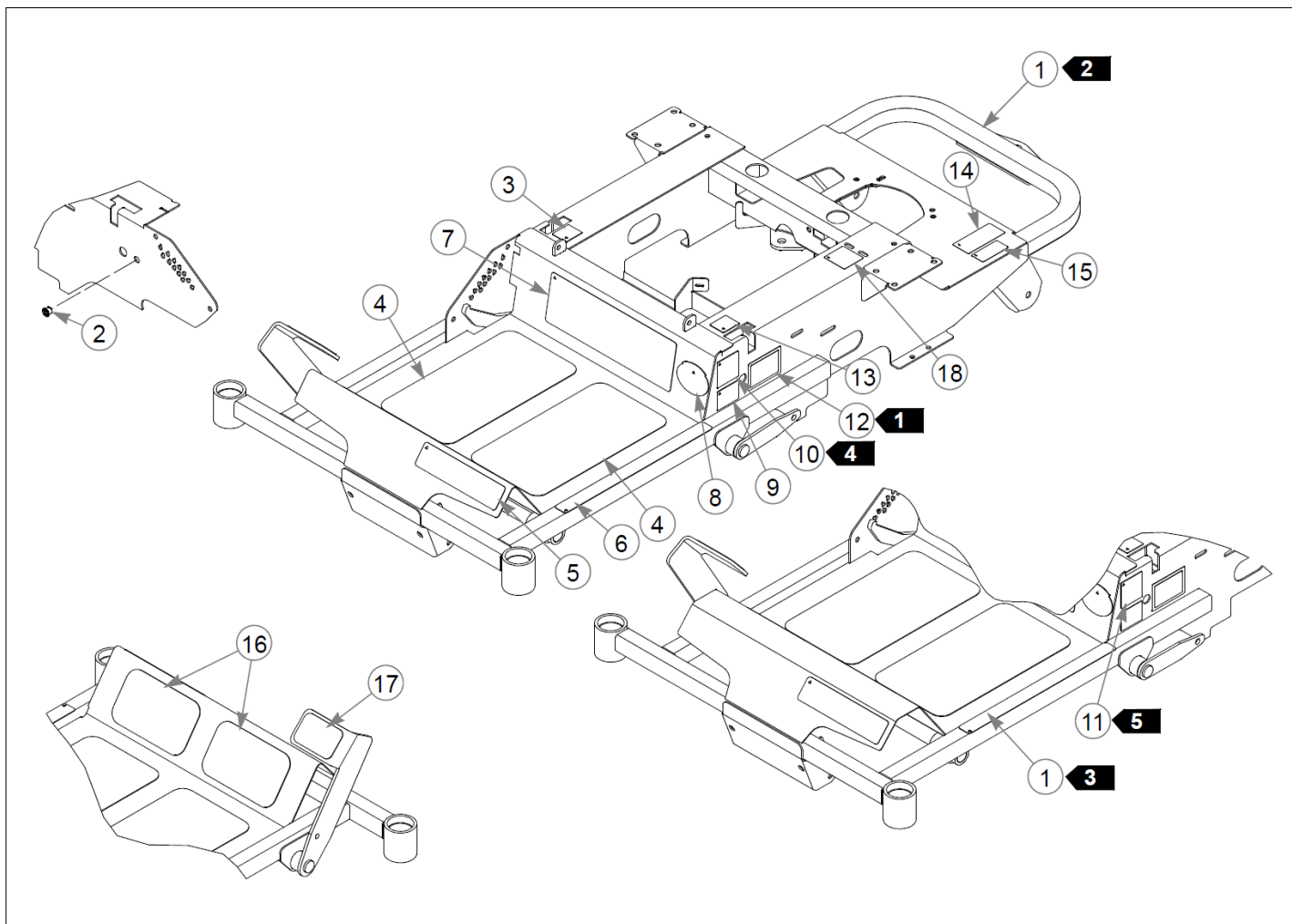
<i>SIZE</i>	<i>FT-LBS</i>	<i>NM</i>	<i>SIZE</i>	<i>FT-LBS</i>	<i>NM</i>
.250	8.2	11.1	M3	1	1.3
.312	17	23	M4	2.2	3
.375	30	40	M5	4.5	6.1
.438	48	65	M6	7.7	10.4
.500	73	99	M8	18.5	25
.562	105	143	M10	37	50
.625	145	200	M12	64	87
.750	260	350	M16	160	215
.875	420	565	M20	320	435
1.00	625	850	M24	555	750

---

### **NOTE:**

**Loctite 592 to be used on all pipe threads.  
Lubricate all grease zerks.**

Frame & Engine Guard Section



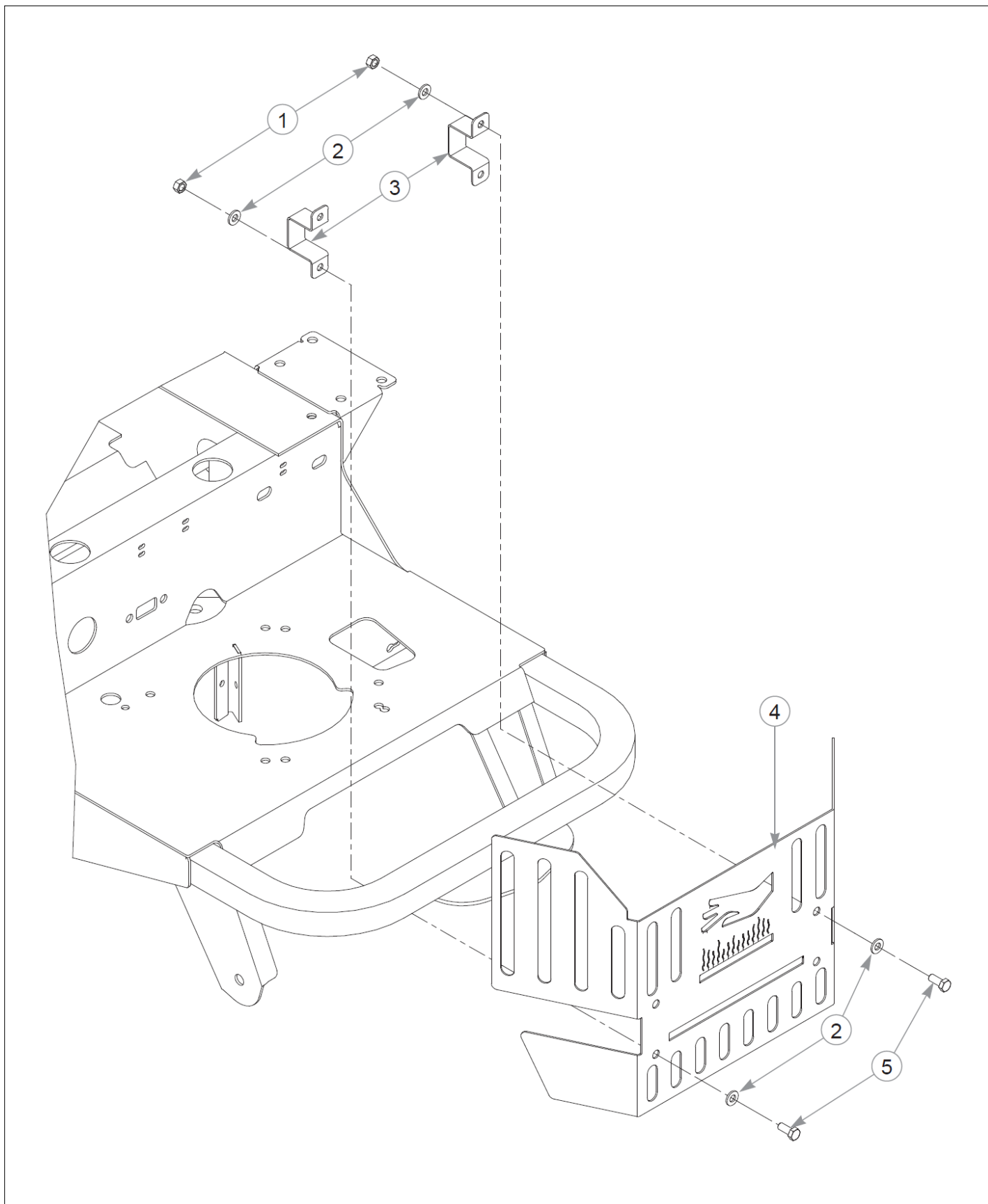
Item	Part No.	Name	Qty	Uom
1	550248CE	SERVICE FRAME 42"	1	EA
Not Shown	550249CE	SERVICE FRAME 48"	1	EA
2	808485	RIVET NUT, 5/16-18 THRE	1	EA
3	785220	DECAL, STEERING R.S.	1	EA
4	601986	STEP TREAD, LOWER SPORT	2	EA
5	601813	HUSTLER DECAL FRONT	1	EA
6	601981	DECAL, SAFE OPERATE-GRAY	1	EA
7	601812	SPORT ID DECAL	1	EA
8	782573	FIRST ZERO TURN DECAL	1	EA
9	776310	DECAL, CE MARK	1	EA
10	789776CE	DBA LIMIT DECAL	1	EA
11	794834CE	CE 100 DBA LIMIT DECAL	1	EA
12	N/A	SERIAL NUMBER / SPEC DECAL	1	EA
13	785139	DECAL, STEERING L.S.	1	EA
14	601967	DECAL, ENGINE COMPART	1	EA
15	602041	DECAL, HOT	1	EA
16	110063	GRIP TAPE	2	EA
17	601987	STEP TREAD, FOOT LIFT	1	EA
18	602562	DECAL, NO SERVICE	1	EA

Comments for Page: Frame

jmumford@excelii.com on May 7, 2015

1. In the event the serial number tag becomes damaged or illegible, please contact your Hustler dealer to order a replacement.
2. Illustration shows frame used on 929588CE.
3. Illustration shows frame used on 929570CE.
4. Part number 789776CE is used on 929588CE.
5. Part number 794834CE is used on 929570CE.

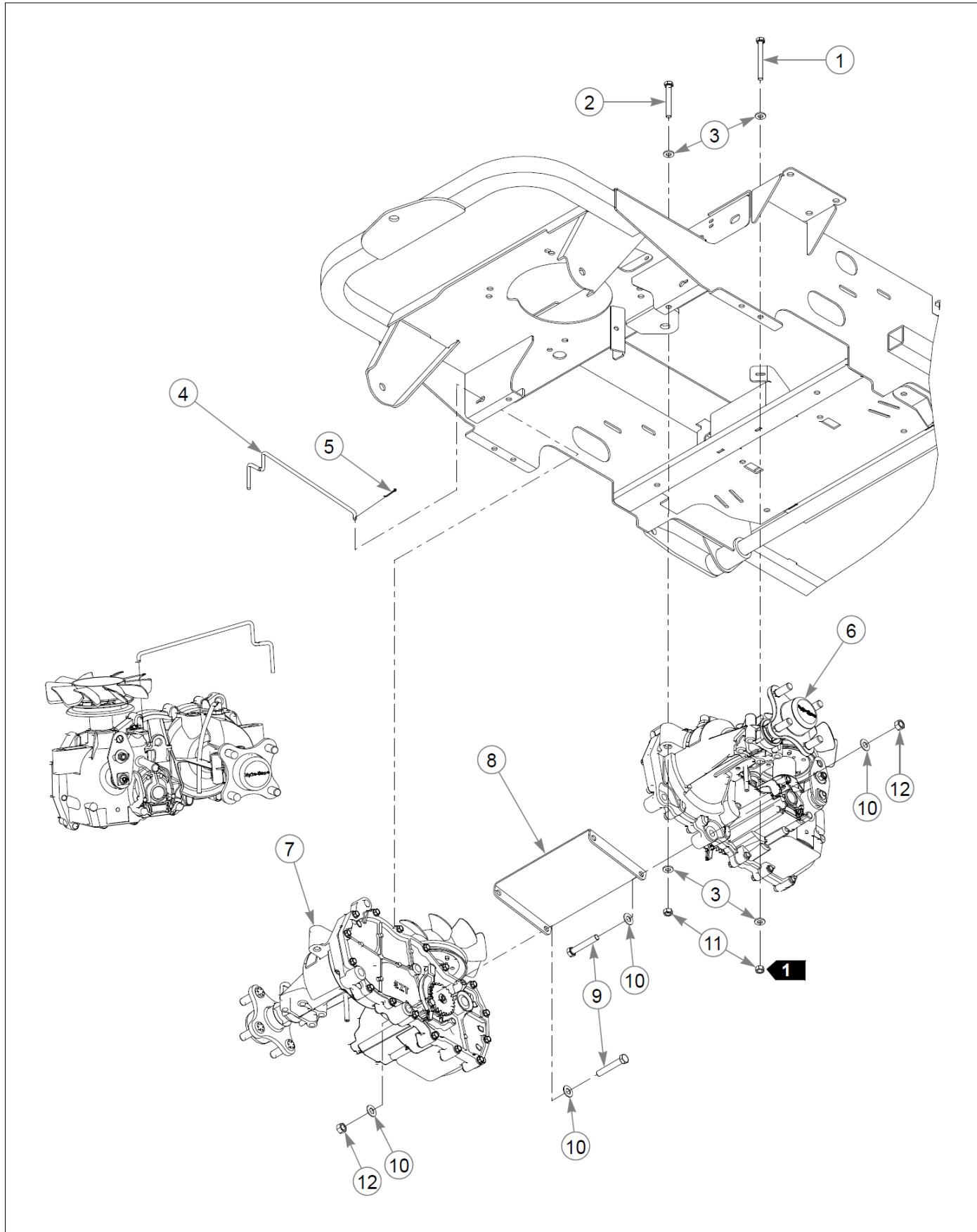
Frame & Engine Guard Section



Item	Part No.	Name	Qty	Uom
1	034272	NT .312-18HXG5	4	EA
2	768523	FW 0.343SAE	8	EA
3	111892	MUFFLER GUARD STRAP	2	EA
4	111643	MUFFLER GUARD, CE SPORT	1	EA
5	034280	CS .312-18X0.750HXG5	4	EA



Hydraulic & Steering Section



Item	Part No.	Name	Qty	Uom
1	043067	CS .312-18X3.000HXG5	4	EA
2	710087	CS .312-18X2.500HXG5	4	EA
3	768523	FW 0.343SAE	16	EA
4	793174	TOWLINK ROD	2	EA
5	048553	CP .062DX1.000 LG HML Z	2	EA
6	603091	EZT, 19.2:1 RIGHT TRANS	2	EA
7	603090	EZT, 19.2:1 LEFT TRANS	1	EA
8	123634-3	CROSS BRACE, HYDROSTAT	1	EA
9	056036	CS .375-16X2.250HXG5	4	EA
10	767954	FW 0.379 x 0.813 x 0.063	8	EA
11	034272	NT .312-18HXG5	8	EA
12	054502	NT .375-16HXG5	4	EA

Comments for Page: Hydraulic System

jmumford@excelii.com on May 7, 2015

1. Torque to 23 N-m.

2. Service parts available for the transaxles:

788877IZT, HUB NUT

798371RING, RETAINING

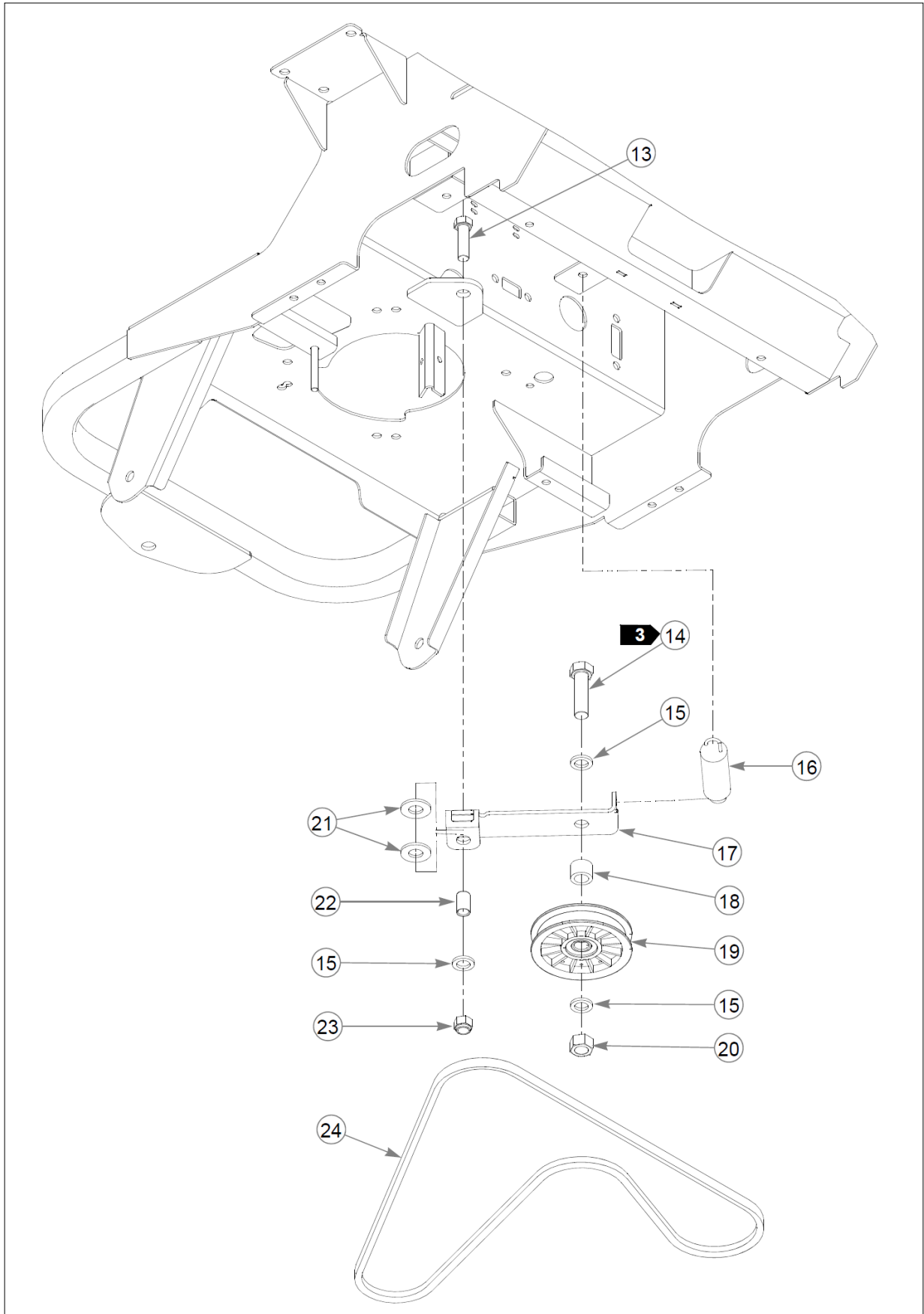
788232IZT, HUB ASSEMBLY (PKG OF 2)

601941FAN/PULLEY KIT

798363GEAR, PARK BRAKE

795047PARKING PAWL KIT, EZT

Hydraulic & Steering Section



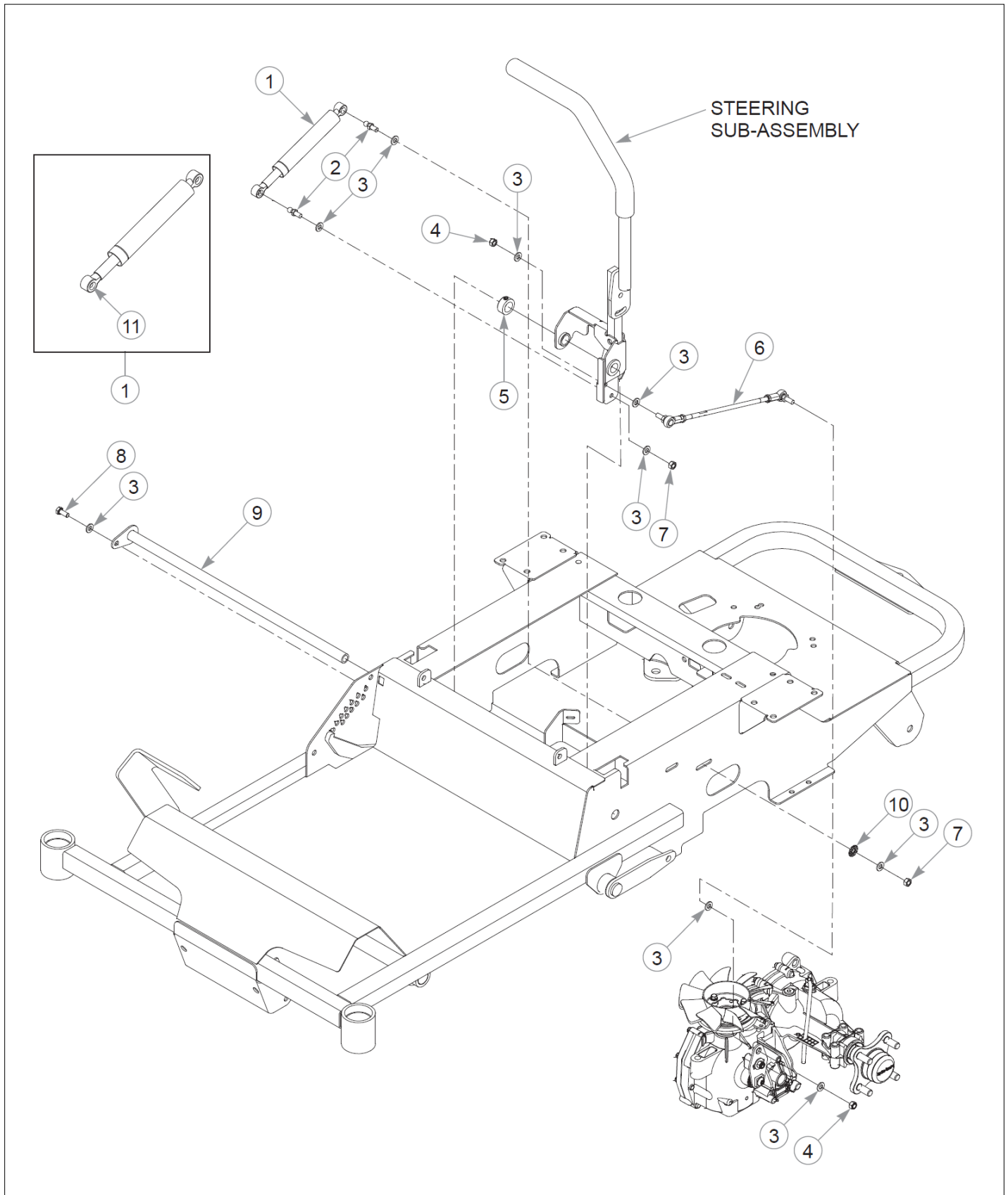
Item	Part No.	Name	Qty	Uom
13	017616	CS .500-13X1.750HXG5	1	EA
14	601983	CS .625-11 X 2.25 HXG5ZY	1	EA
15	028118	FW 0.625X1.000X0.134	3	EA
16	036384	SPRING 1/4 COIL PL 1.23	1	EA
17	111079	PUMP IDLER, FORMED	1	EA
18	601398	SPACER, IDLER	1	EA
19	784827	PULLEY, IDLER, 4.00"OD,	1	EA
20	016972	NT .625-11 HX G5 ZNYC	1	EA
21	602026	BEARING DISC	2	EA
22	602025	BUSHING,IGUS .500id (FS)	1	EA
23	781567	NT .500-13NLG5	1	EA
24	769133	BELT, A 67.24" EL	1	EA

Comments for Page: Pump Belt

jmumford@excelii.com on May 7, 2015

3. Torque to 200 N-m.

Hydraulic & Steering Section



Item	Part No.	Name	Qty	Uom
1	600221	DAMPER, STEERING	2	EA
2	781922	BALL STUD, DAMPER	4	EA
3	768523	FW 0.343SAE	17	EA
4	023655	NT .312-24NLG5	4	EA
5	784439	LOCK COLLAR,0.757 ID(FS)	2	EA
6	600981	PUMP ROD ASSEMBLY	2	EA
7	034272	NT .312-18HXG5	4	EA
8	034280	CS .312-18X0.750HXG5	1	EA
9	110014	PIVOT TUBE ASSEMBLY	1	EA
10	029876	LW 0.312 INT-EXT	2	EA
11	601426	CAP LOCK	1	EA

Comments for Page: Steering

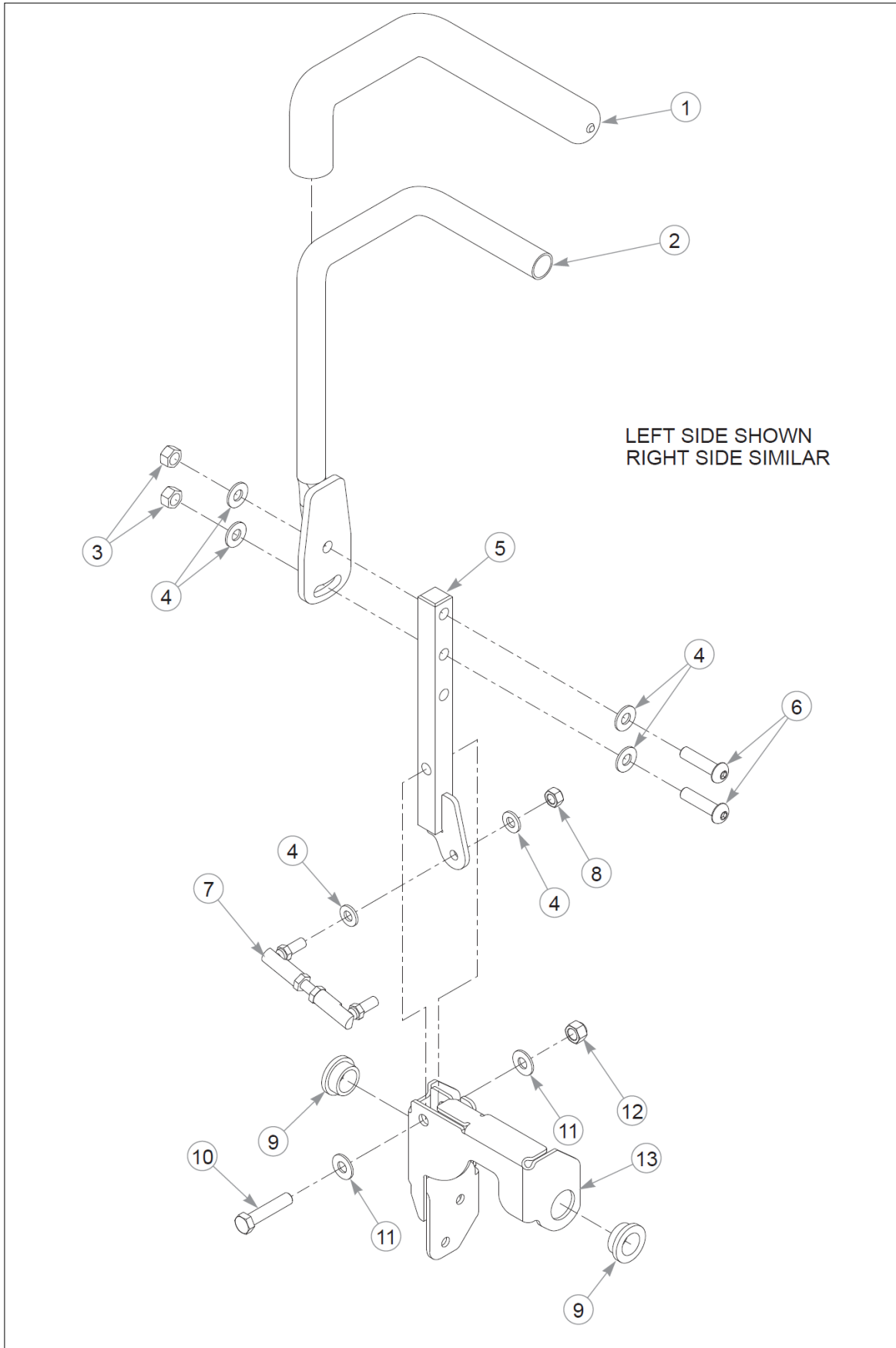
jmumford@excelii.com on May 7, 2015

1. Service parts for Damper:

601425 CONNECTOR BODY

601426 CAP LOCK

Hydraulic & Steering Section



Item	Part No.	Name	Qty	Uom
1	781260	GRIP, STEERING BAR	2	EA
2	110370	STEERING BAR W/ GRIP	2	EA
3	054502	NT .375-16HXG5	4	EA
4	767954	FW 0.379 x 0.813 x 0.063	12	EA
5	110089	CONTROL LEVER W/A LH	2	EA
6	604816	CS .375-16 X 1.5 BH BO	4	EA
7	796615	BALL JOINT LINK	2	EA
8	023655	NT .312-24NLG5	2	EA
9	770867	BUSHING, PLAS .750x1(FS)	4	EA
10	705178	CS .375-16X1.750HXG5	2	EA
11	768523	FW 0.343SAE	4	EA
12	086660	NT .375-16NLG5	2	EA
13	110008	STEERING BOX LH (PLATED)	1	EA
Not Shown	110007	STEERING BOX RH (PLATED)	1	EA

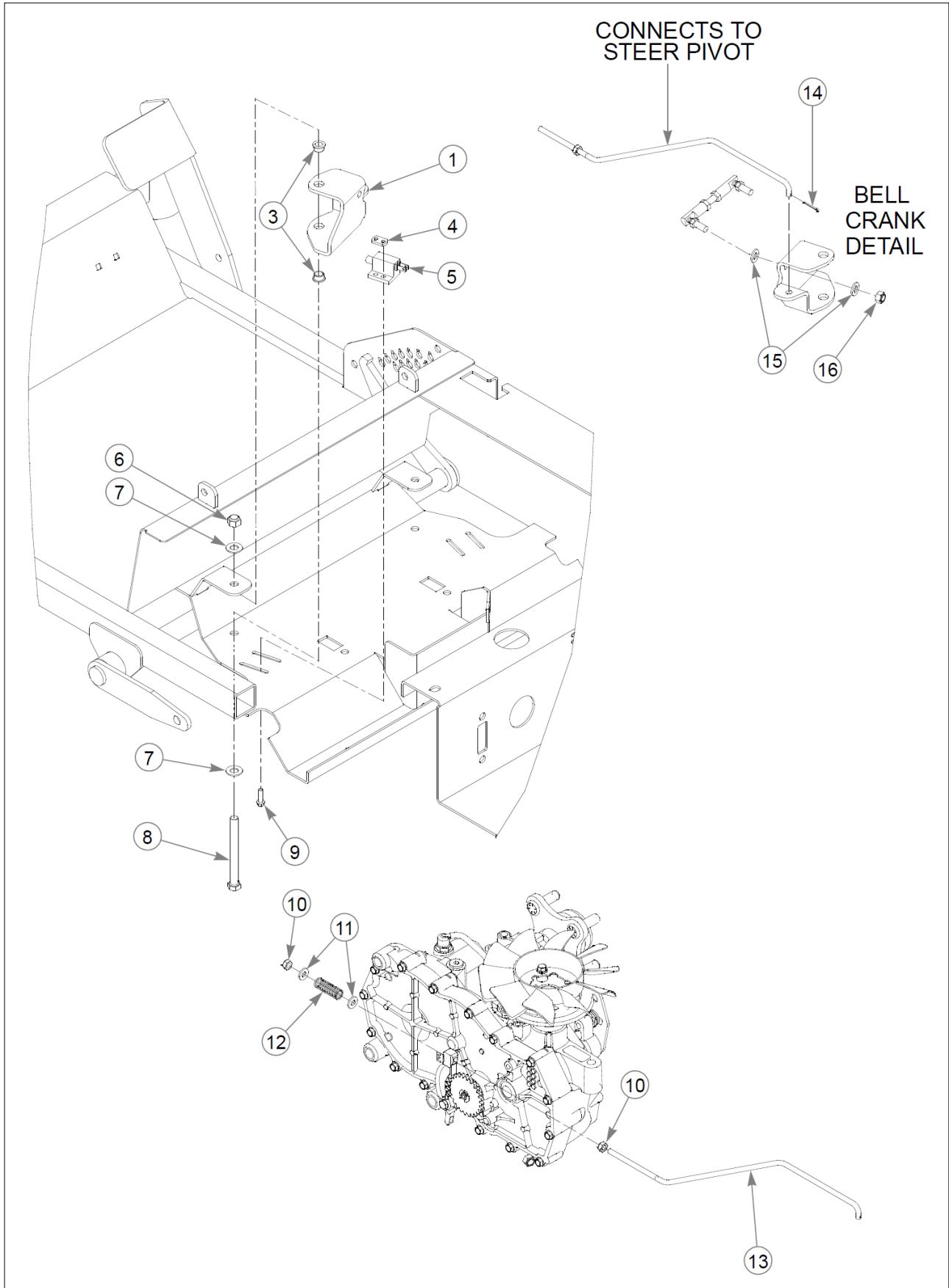
Comments for Page: Steering Assembly

jmumford@excelii.com on May 6, 2015

1. Left side steering sub-assembly is shown; the right side is similar.
2. Steering Bar includes Steering Bar Grip.

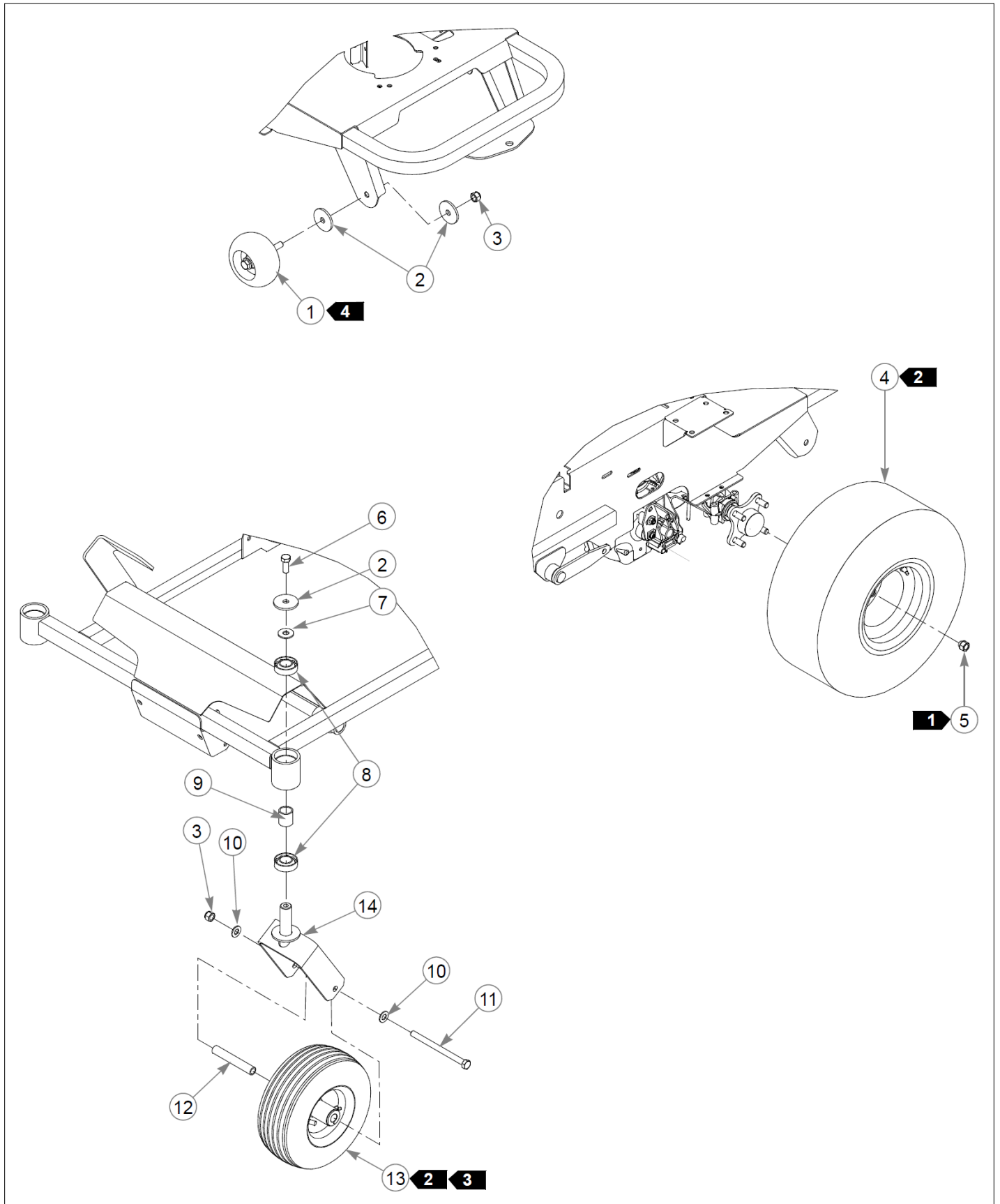


Hydraulic & Steering Section



Item	Part No.	Name	Qty	Uom
1	110001	BRAKE ACTUATOR LH	1	EA
2	110000	BRAKE ACUTATOR RH	1	EA
3	765339	BUSHING,IGUS#0608 (FS)	4	EA
4	601822	NUT PLATE, .420 CENTERS	2	EA
5	781211	SWITCH, PUSH BUTTON	2	EA
6	086660	NT .375-16NLG5	2	EA
7	767954	FW 0.379 x 0.813 x 0.063	4	EA
8	725796	CS .375-16X4.000HXG5	2	EA
9	063198	CS#10-24X0.750FLKG5	4	EA
10	068551	NT .250-20 HXZY NL	4	EA
11	768515	FW 0.281SAE	4	EA
12	601131	SPRING, BRAKE ARM RET.	2	EA
13	110009	BRAKE ACTUATOR ROD	2	EA
14	048553	CP .062DX1.000 LG HML Z	2	EA
15	768523	FW 0.343SAE	8	EA
16	023655	NT .312-24NLG5	2	EA

Wheels & Tires Section



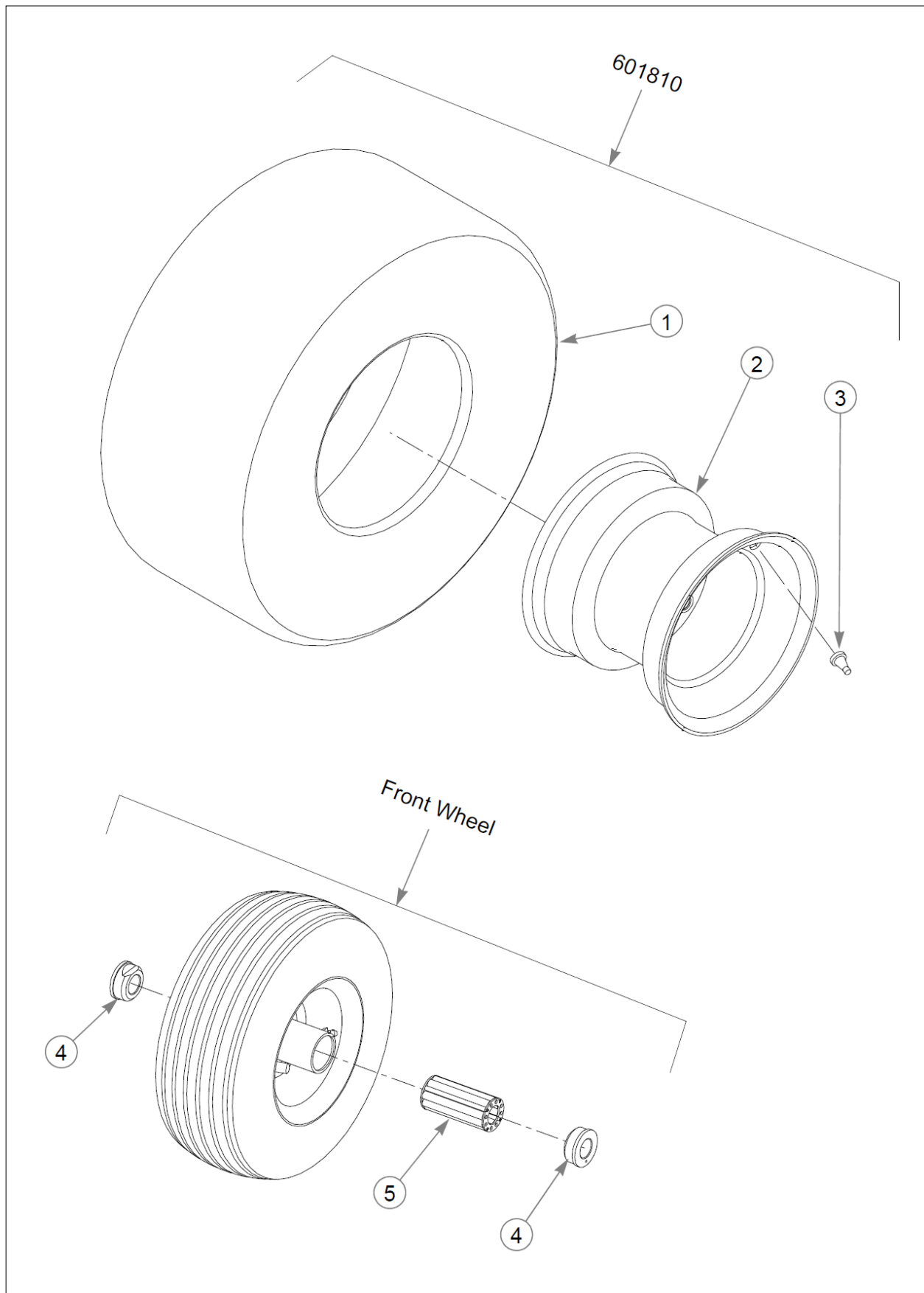
Item	Part No.	Name	Qty	Uom
1	788166	WHEEL ASSY, ANTI SCALP	2	EA
2	344267	FW .510X 2.15X.187 SPL	6	EA
3	781567	NT .500-13NLG5	4	EA
4	601810	TIRE/WHEEL 18X8.5-8	2	EA
5	061077	WHEEL NUT	8	EA
6	705954	CS .500-13X1.250HSG5	2	EA
7	712976	FW 0.531X1.375X0.125	2	EA
8	784223	BEARING	4	EA
9	784603	SPACER	2	EA
10	767962	FW .531 x 1.063 x .175	8	EA
11	042630	CS .500-13X6.500HXG5	2	EA
12	306969	GAGE WHEEL SPACER	2	EA
13	602079	TIRE, 11X4-5 SILVERSTONE	2	EA
Not Shown	768044	TIRE/WHL 11x4-5 RIBBED	2	EA
14	110116	CASTER FORK W/A	2	EA
Not Shown	339689	CASTER FORK W/A, WB/FAS	2	EA
15	781708	CS .500-13X4.250HXG5	2	EA
16	031997	ANTI-SCALP WHEEL	2	EA
17	053199	NT .500-13JAMG5	2	EA

Comments for Page: Wheel & Tire

jmumford@excelii.com on May 7, 2015

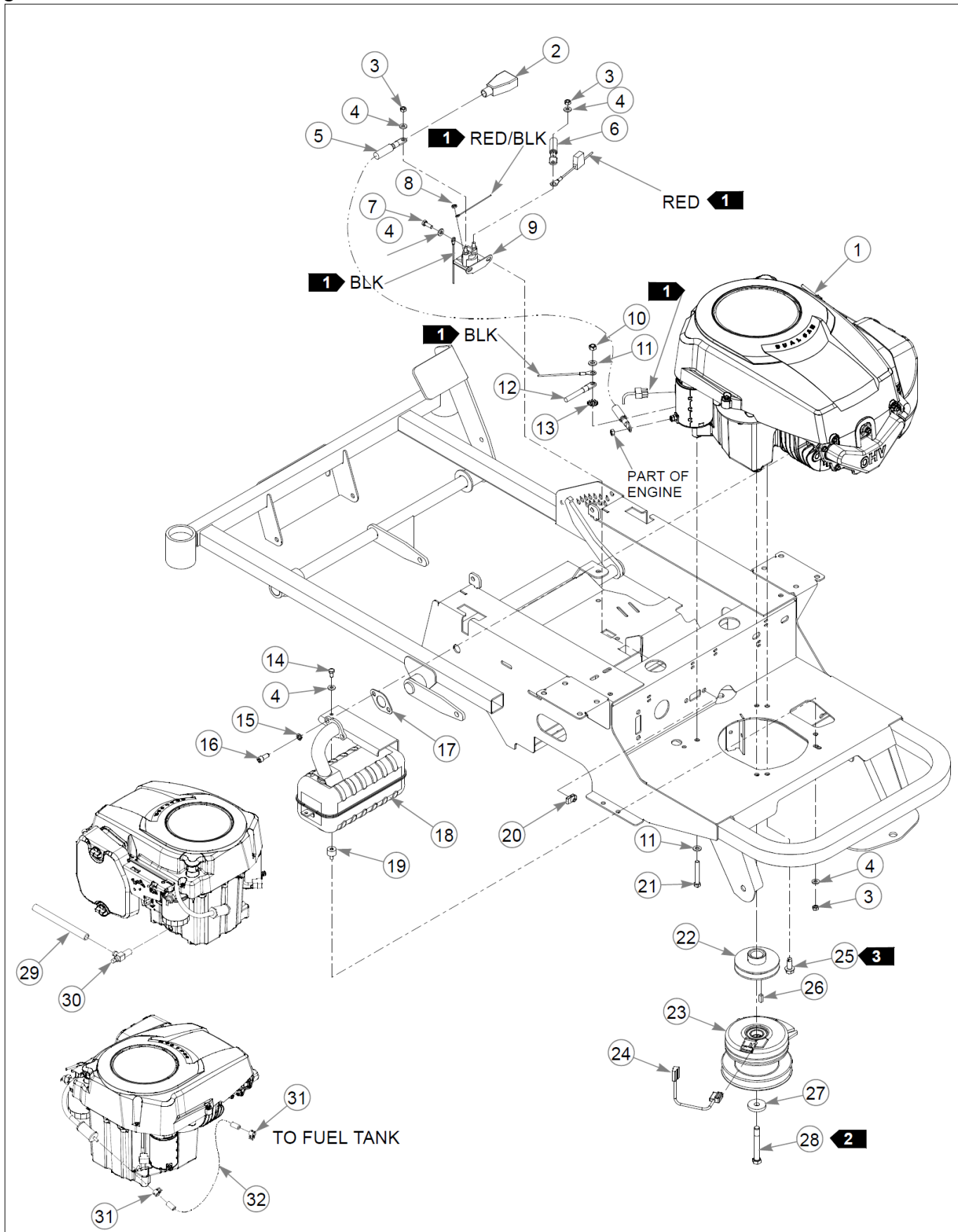
1. Torque to 88-102 Nm.
2. Inflate tire to 55-83 kPa.
3. Apply grease to zerks (see owners manual).
4. Item 1 includes (items 10 & 15-17).
5. Serial numbers higher than 09080553, use tire/wheel (602079) and caster fork (110116). Serial numbers prior to 09080553, use tire/wheel (768044) and caster fork (339689).

Wheels & Tires Section



Item	Part No.	Name	Qty	Uom
1	601821	TIRE 18 X 8.5	1	EA
2	601820	WHEEL 8 X 6.93	1	EA
3	019521	TIRE VALVE TR-412 GOODY	1	EA
4	772806	BEARING CAP	2	EA
5	772814	BEARING, 3/4" ROLLER	1	EA

Engine & Fuel Tank Section



Item	Part No.	Name	Qty	Uom
1	N/A	ENGINE, KOHLER SV590S	1	EA
2	771428	BATTERY CBL BOOT-RED(FS)	1	EA
3	024927	NT .250-20HXG5	3	EA
4	768515	FW 0.281SAE	6	EA
5	601840	BATTERY CABLE, POS.	1	EA
6	601062	BATTERY CABLE, POS.	1	EA
7	055939	CS .250-20X0.750HXG5	2	EA
8	044255	NT #10-32HXG5	1	EA
9	030817	STARTER SOLENOID HW KIT	1	EA
10	058776	NT .312-18NLG5	1	EA
11	768523	FW 0.343SAE	2	EA
12	601841	BATTERY CABLE, NEG.	1	EA
13	029876	LW 0.312 INT-EXT	1	EA
14	055947	CS .250X20X0.500HXG5	1	EA
15	017004	LW0.312SPLIT	2	EA
16	704478	CS .312-18X .75 SKTHD B	2	EA
17	785543	HONDA (20) GASKET, MUFF	1	EA
18	602325	MUFFLER, KOHLER SV590	1	EA
19	602380	ISOLATOR, ENGINE MUFFLER	1	EA
20	601982	CN .250-20X .150 MAX THK	2	EA
21	038828	CS .312-18X2.250HXG5	1	EA
22	793760	PULLEY,ENGINE-HYDRO DRI	1	EA
23	601801	CLUTCH	1	EA
24	791251	HARNESS, CLUTCH PIGTAIL	1	EA
<p>Comments for Part Num. 791251</p> <p>parts@excelii.com on Aug 28, 2015</p> <p>Pigtail was updated with epoxy to hold the wires steady. The wire sheath was also updated to a more flexible material.</p>				
25	792788	SC0.375-16X1.000FLG	3	CS



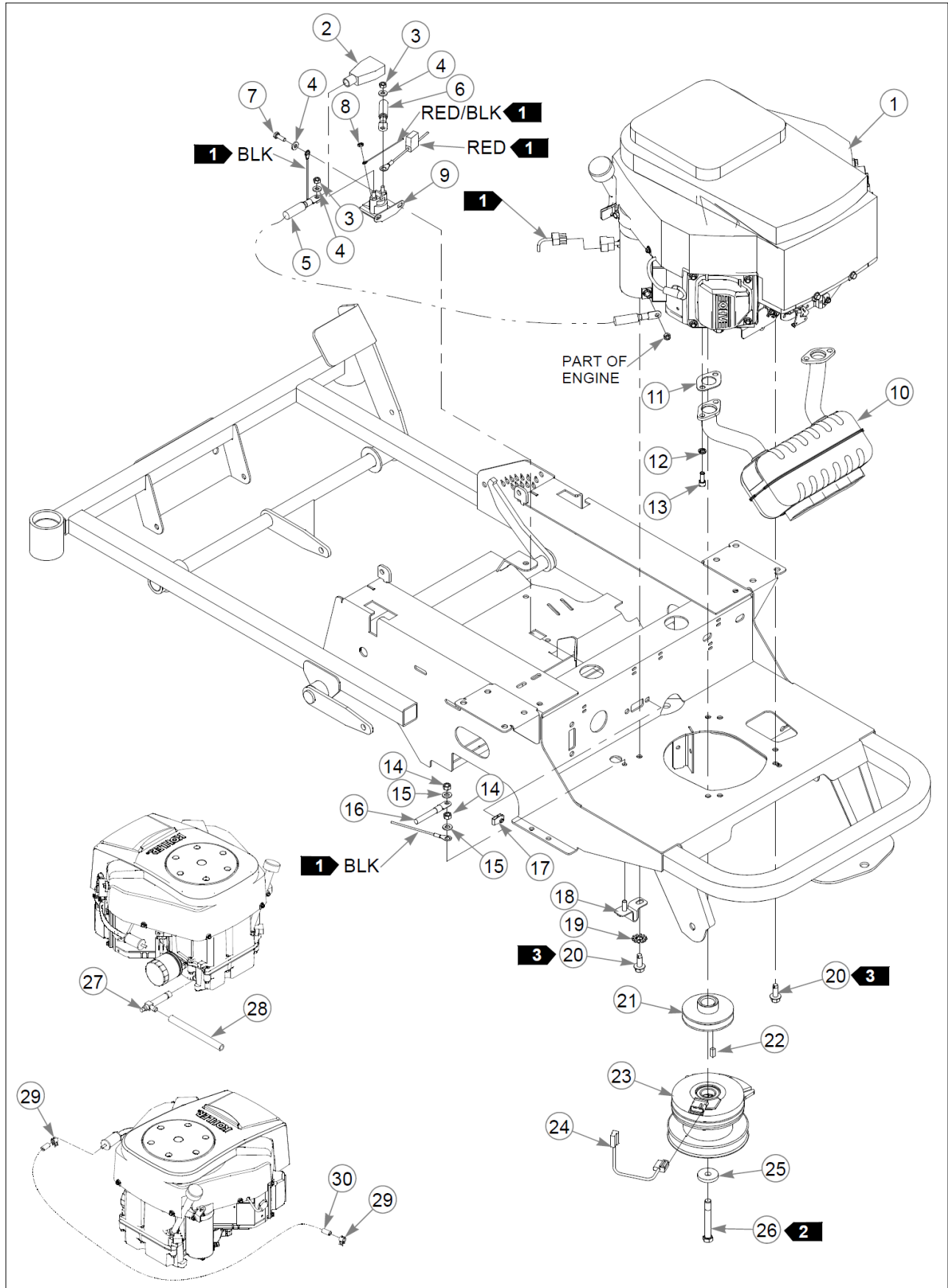
Item	Part No.	Name	Qty	Uom
26	712372	KEY 1/4 SQ X 0.66 LG(FS)	1	EA
27	763417	FW 0.454X1.500X0.250	1	EA
28	601834	CS .437-20X3.25 HXG5 P85	1	EA
29	104786	OIL DRAIN HOSE	1	EA
30	796516	VALVE,OIL DRAIN 3/8-18	1	EA
31	000323	CLIP, HOSE CLAMP	2	EA
32	015818	FUEL LINE, 1/4"	12"	IN
33	000331	WIRE TIE, SMALL/SHORT	1	EA

Comments for Page: Engine, Kohler SV590

jmumford@excelii.com on May 7, 2015

1. Part of wiring harness.
2. Torque to 61-65 Nm. Replace (do not reuse) capscrew if removed or loosened. Use only hand tools to install this fastener.
3. Torque to 41-47Nm. Do not reuse factory installed screw when performing service to mower requiring removal of engine, replace with 3/8-16 x 1.0 long grade five cap screw.
4. Engine oil capacity: Check engine oil level after running engine—level must be within operating zone on dipstick (see engine owner's manual).

Engine & Fuel Tank Section



Item	Part No.	Name	Qty	Uom
1	N/A	ENGINE, 22HP KOHLER SV715	1	EA
2	771428	BATTERY CBL BOOT-RED(FS)	1	EA
3	024927	NT .250-20HXG5	2	EA
4	768515	FW 0.281SAE	4	EA
5	601840	BATTERY CABLE, POS.	1	EA
6	601062	BATTERY CABLE, POS.	1	EA
7	055939	CS .250-20X0.750HXG5	2	EA
8	044255	NT #10-32HXG5	1	EA
9	030817	STARTER SOLENOID HW KIT	1	EA
10	602320	MUFFLER, KOH SV715/725	1	EA
11	785543	HONDA (20) GASKET, MUFF	2	EA
12	017004	LW0.312SPLIT	4	EA
13	704478	CS .312-18X .75 SKTHD B	2	EA
14	034272	NT .312-18HXG5	2	EA
15	768523	FW 0.343SAE	2	EA
16	601841	BATTERY CABLE, NEG.	1	EA
17	601982	CN .250-20X .150 MAX THK	2	EA
18	112411	GROUND STRAP W/A	1	EA
19	793885	LW0.375INTEXT	1	EA
20	792788	SC0.375-16X1.000FLG	4	CS
21	793760	PULLEY,ENGINE-HYDRO DRI	1	EA
22	712372	KEY 1/4 SQ X 0.66 LG(FS)	1	EA
23	601801	CLUTCH	1	EA
24	791251	HARNESS, CLUTCH PIGTAIL	1	EA
<p>Comments for Part Num. 791251</p> <p>parts@excelii.com on Aug 28, 2015</p> <p>Pigtail was updated with epoxy to hold the wires steady. The wire sheath was also updated to a more flexible material.</p>				
25	763417	FW 0.454X1.500X0.250	1	EA

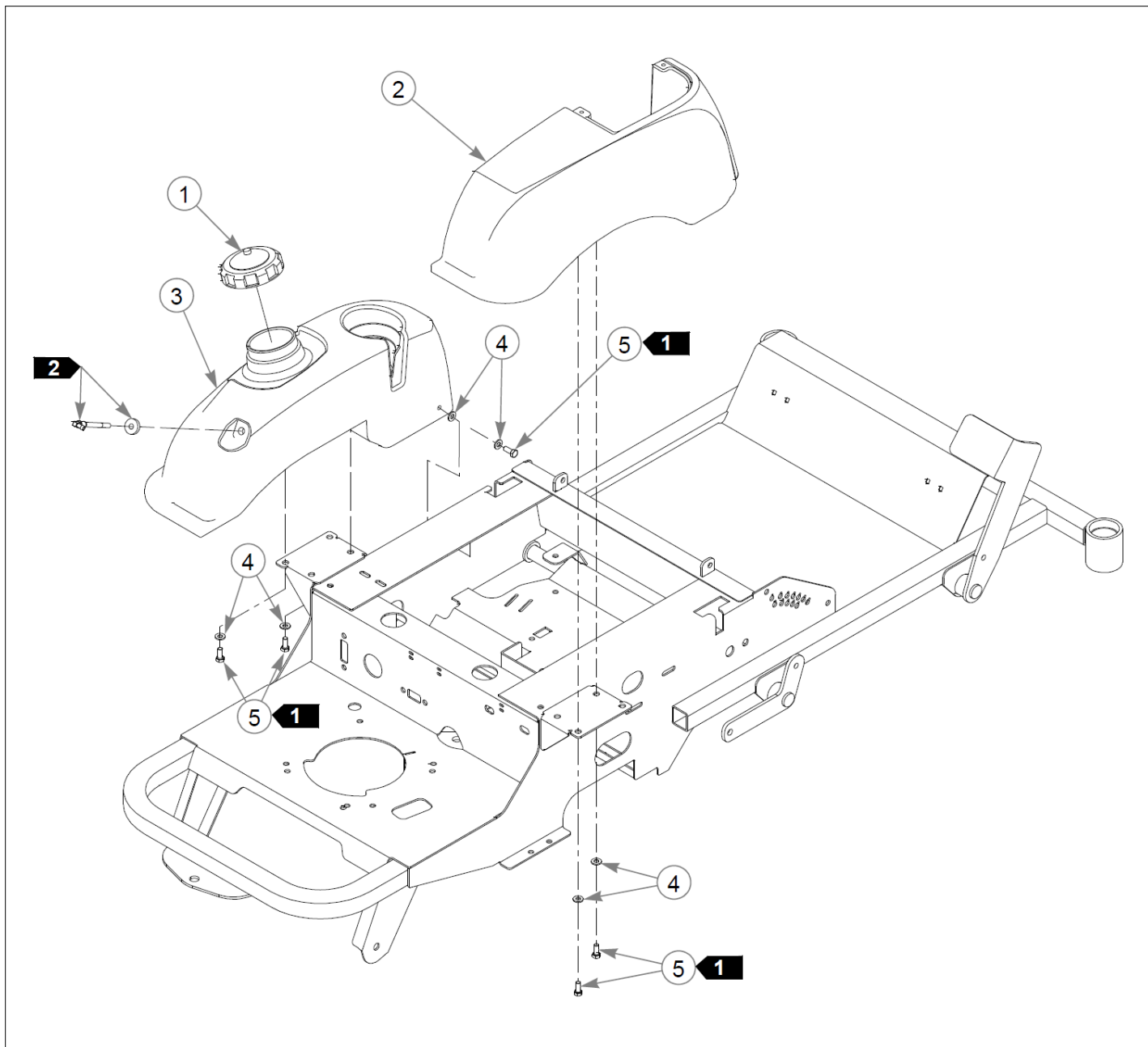
Item	Part No.	Name	Qty	Uom
26	601834	CS .437-20X3.25 HXG5 P85	1	EA
27	796672	VALVE,OIL DRAIN 3/8-18	1	EA
28	104786	OIL DRAIN HOSE	1	EA
29	000323	CLIP, HOSE CLAMP	2	EA
30	015818	FUEL LINE, 1/4"	28"	IN
31	000331	WIRE TIE, SMALL/SHORT	3	EA
32	602371	EMC/RFI CONVERSION, KOH	1	EA

Comments for Page: Engine, Kohler SV715

jmumford@excelii.com on May 7, 2015

1. Part of wiring harness.
2. Torque to 61-65 Nm. Replace (do not reuse) capscrew if removed or loosened. Use only hand tools to install this fastener.
3. Torque to 40.7-47.5 N-m.
4. Check engine oil level after running engine—level must be within operating zone on dipstick (see engine owner's manual). Service engine with Champion XC12YC or equivalent spark plug.

Engine & Fuel Tank Section



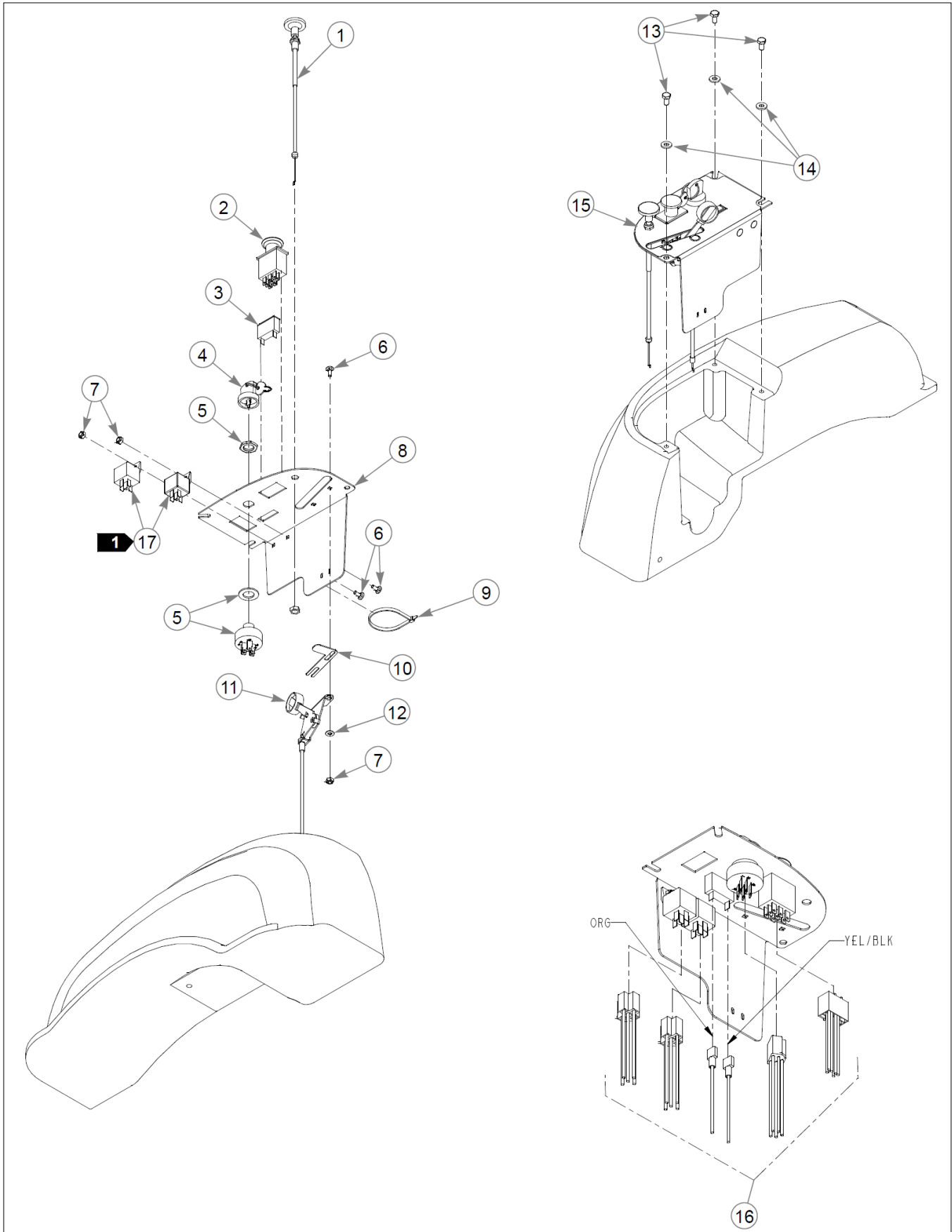
Item	Part No.	Name	Qty	Uom
1	779306	FUEL CAP,3.5"	1	EA
2	110080	FENDER RH, SPORT	1	EA
3	110081	FENDER TANK LH, SPORT	1	EA
4	768523	FW 0.343SAE	8	EA
5	034280	CS .312-18X0.750HXG5	6	EA

Comments for Page: Fuel System

jmumford@excelii.com on May 7, 2015

1. Torque to 27.12 N-m.
2. Suction hose and grommet included with new fuel tank.
3. Service parts available for the fuel tank:
  - 785295 FLANGE GROMMET
  - 601805 SUCTION HOSE ASSY 22.0

Electrical Section



Item	Part No.	Name	Qty	Uom
1	785030	CABLE, CHOKE	1	EA
2	776476	SWITCH, PTO 6201-321	1	EA
3	712257	INDICATOR LIGHT, RED(FS)	1	EA
4	785808	KEY ASSEMBLY	1	EA
5	045898	IGNITION SWITCH	1	EA
6	601098	CB 10-24 X .500 ZYNC	4	EA
7	059832	NT #10-24 HX NL ZN	4	EA
8	550225	INSTRUMENT PANEL, HONDA	1	EA
9	000331	WIRE TIE, SMALL/SHORT	6	EA
10	111906	THROTTLE STOP, CE SPORT	1	EA
11	786384	CABLE, THROTTLE ASSEMBLY	1	EA
12	704932	FW 0.219X0.500X0.048	2	EA
13	055947	CS .250X20X0.500HXG5	3	EA
14	768515	FW 0.281SAE	3	EA
15	602232	DECAL, INST PANEL HONDA	1	EA
16	602322	WIRE HARNESS FST SPORT	1	EA
17	601053	RELAY, SEALED W/BRACKET	2	EA

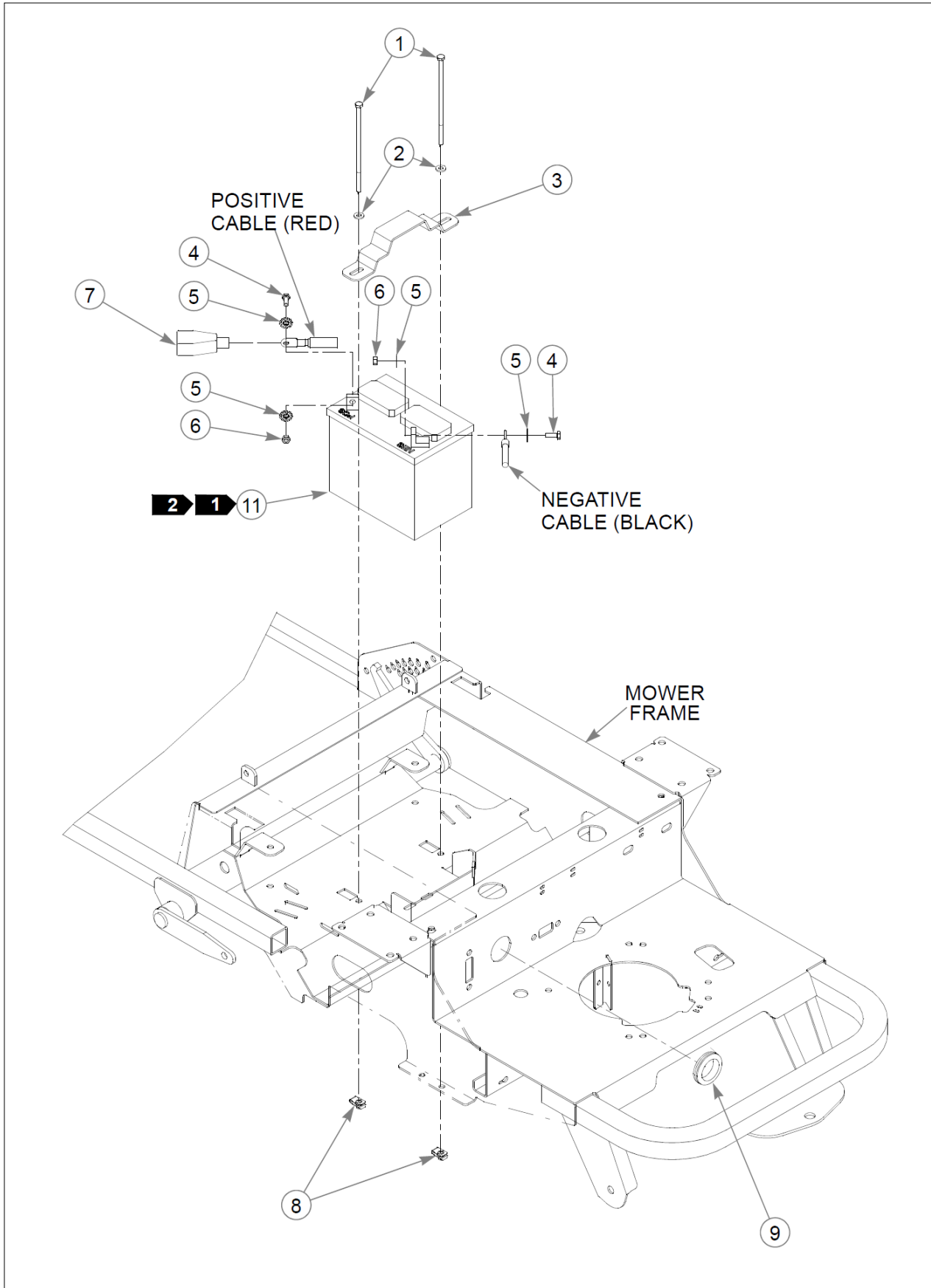
Comments for Page: Instrument Panel

jmumford@excelii.com on May 7, 2015

1. Part of the wiring harness.
2. Service part instrument panel includes decal.



Electrical Section



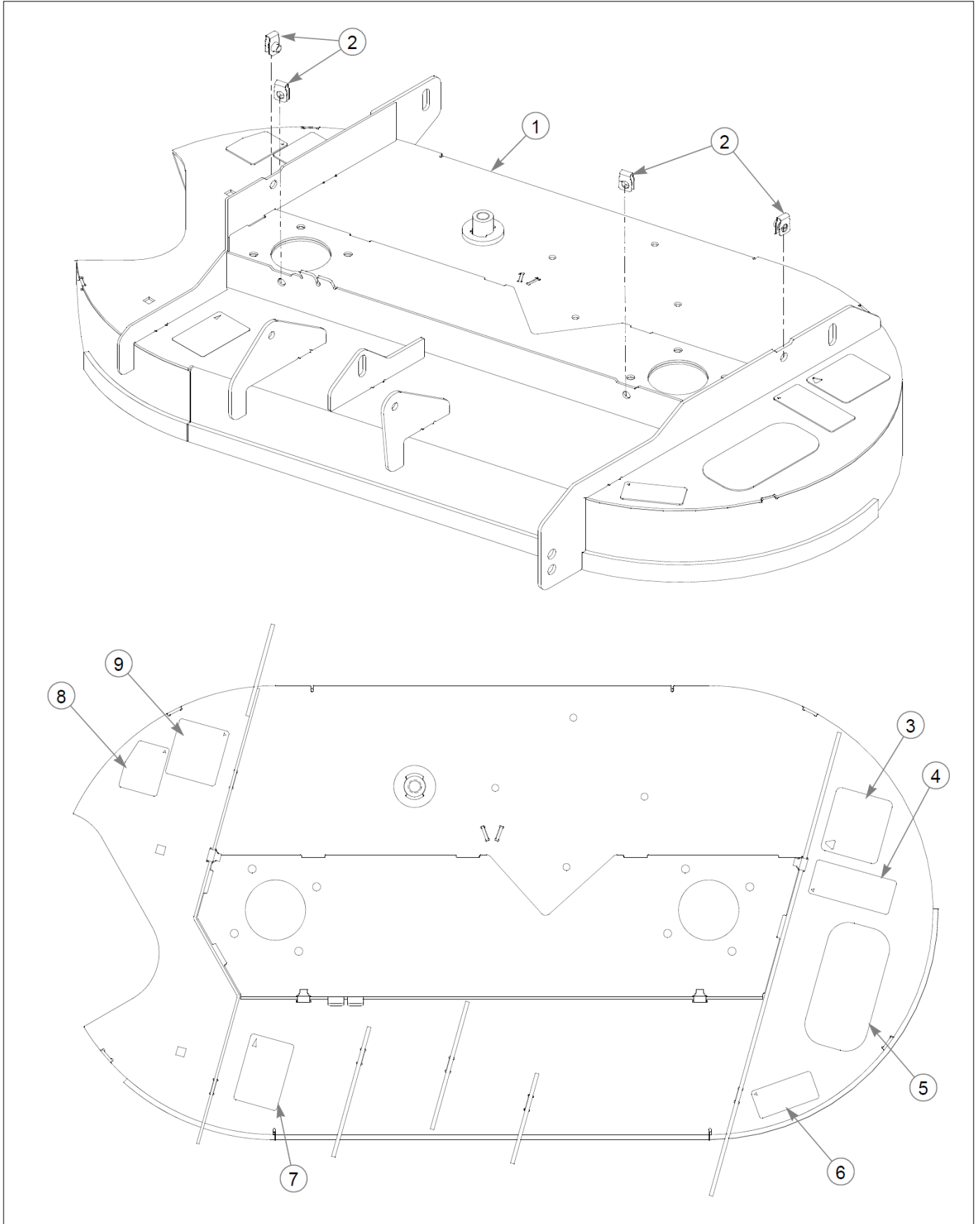
Item	Part No.	Name	Qty	Uom
1	601930	CS .250-20 X 6.50 HX G5	2	EA
2	768515	FW 0.281SAE	2	EA
3	348417	STRAP, BATTERY CLAMP	1	EA
4	055939	CS .250-20X0.750HXG5	2	EA
5	029868	LW0.250INTEXT	4	EA
6	024927	NT .250-20HXG5	2	EA
7	771428	BATTERY CBL BOOT-RED(FS)	1	EA
8	601982	CN .250-20X .150 MAX THK	2	EA
9	794644	GM 1.50 X 2.12 X 1.75	1	EA
10	000331	WIRE TIE, SMALL/SHORT	2	EA
11	N/A	BATTERY	1	EA

Comments for Page: Battery

jmumford@excelii.com on May 7, 2015

1. When performing service on mower, disconnect battery ground cable and do not reconnect to battery until engine is ready to be started. See Owners Manual.
2. Battery is not installed in CE and non CE export models.

Deck Section



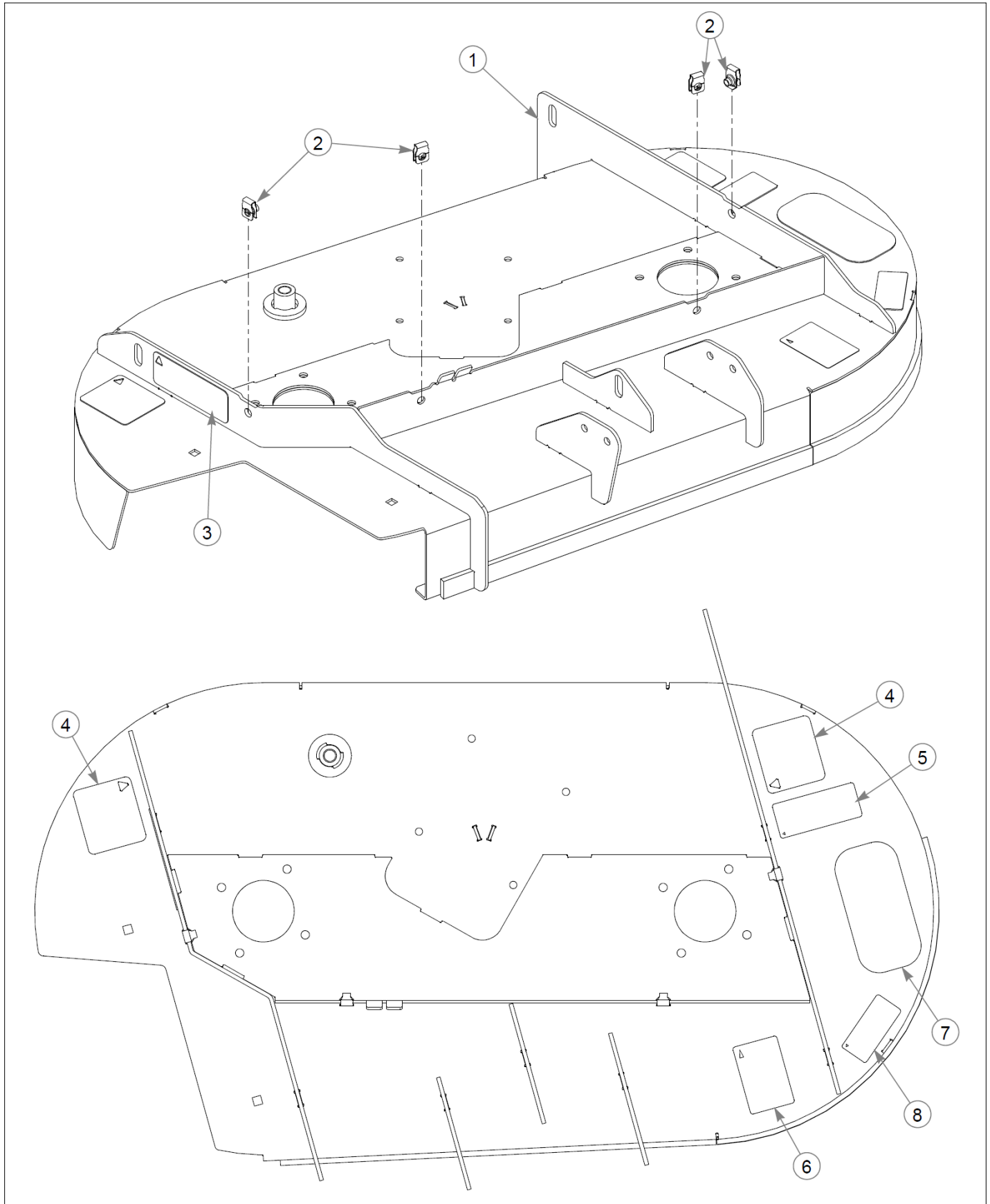
Item	Part No.	Name	Qty	Uom
1	550011	DECK W/A, CRATED	1	EA
2	601069	CN .312-18x.200 MAX THK	4	EA
3	601837	DECAL, DECK DANGERS	1	EA
4	601892	DECAL, THROWN OBJECTS	1	EA
5	794503	STEP TREAD MINI FST DEC	1	EA
6	793521	DECAL,42 DECK ID	1	EA
7	602243	DECAL, BELT ROUTING	1	EA
8	601817	DECAL, DISCHARGE	1	EA
9	601816	DECAL, DECK DANGERS	1	EA

Comments for Page: 42" Deck Decals - Forward Swept

jmumford@excelsii.com on May 7, 2015

1. Item 1 (Deck Weldment) includes Items 2–9.

Deck Section



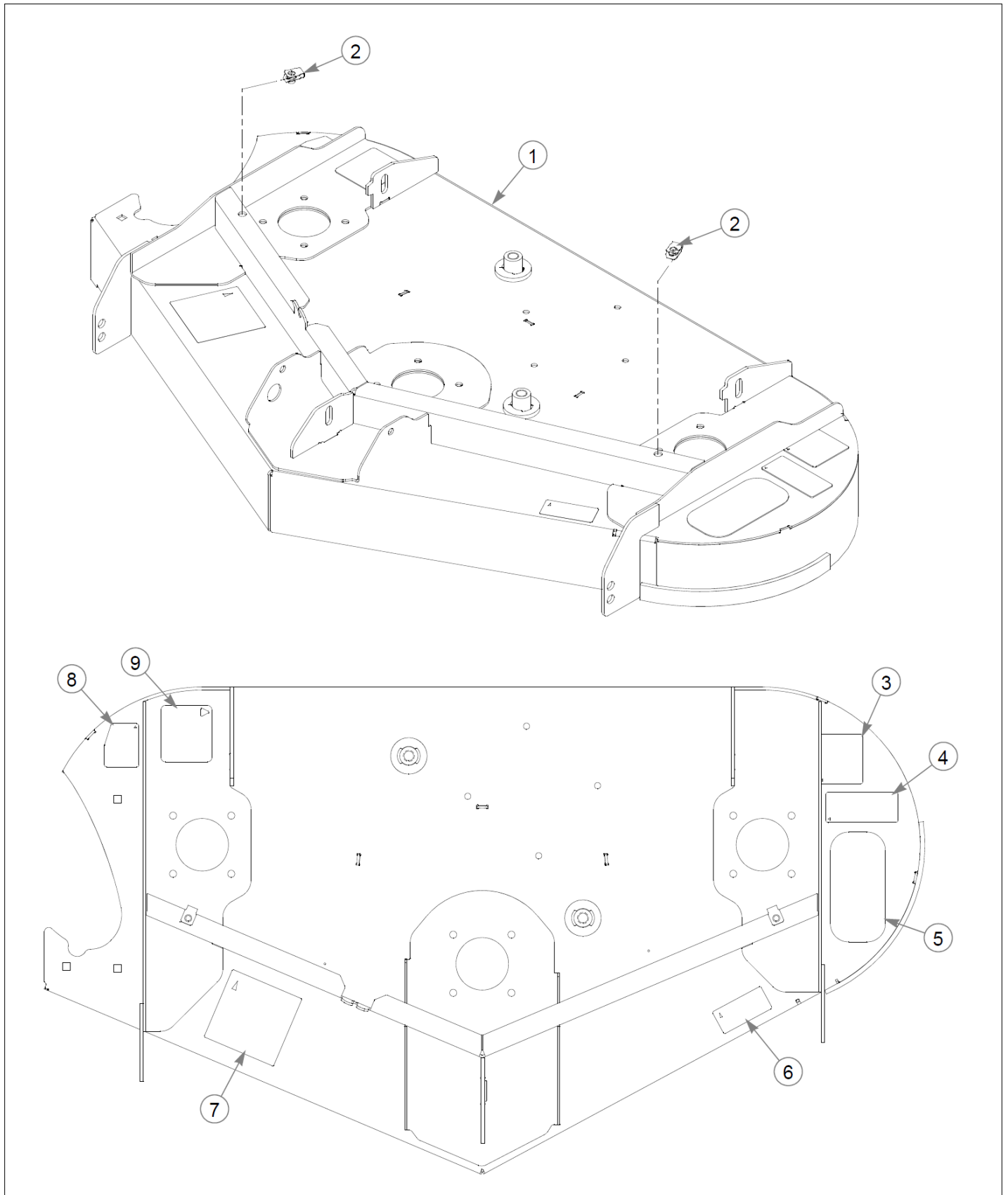
Item	Part No.	Name	Qty	Uom
1	550592	SERVICE DECK, 42 SPORT	1	EA
2	601069	CN .312-18x.200 MAX THK	4	EA
3	601624	DECAL, DISCHARGE CHUTE	1	EA
4	601837	DECAL, DECK DANGERS	2	EA
5	601892	DECAL, THROWN OBJECTS	1	EA
6	602243	DECAL, BELT ROUTING	1	EA
7	794503	STEP TREAD MINI FST DEC	1	EA
8	793521	DECAL,42 DECK ID	1	EA

Comments for Page: Deck Decals - Rear Swept

jmumford@excelii.com on May 7, 2015

1. Item 1 includes items 2–8.

Deck Section



Item	Part No.	Name	Qty	Uom
1	109754	DECK W/A, 48" SPORT	1	EA
2	601069	CN .312-18x.200 MAX THK	2	EA
3	601816	DECAL, DECK DANGERS	1	EA
4	601892	DECAL, THROWN OBJECTS	1	EA
5	794503	STEP TREAD MINI FST DEC	1	EA
6	793976	DECAL,48"DECK ID	1	EA
7	781419CE	DECK BELT RTG DECAL	1	EA
8	601817	DECAL, DISCHARGE	1	EA
9	601837	DECAL, DECK DANGERS	1	EA

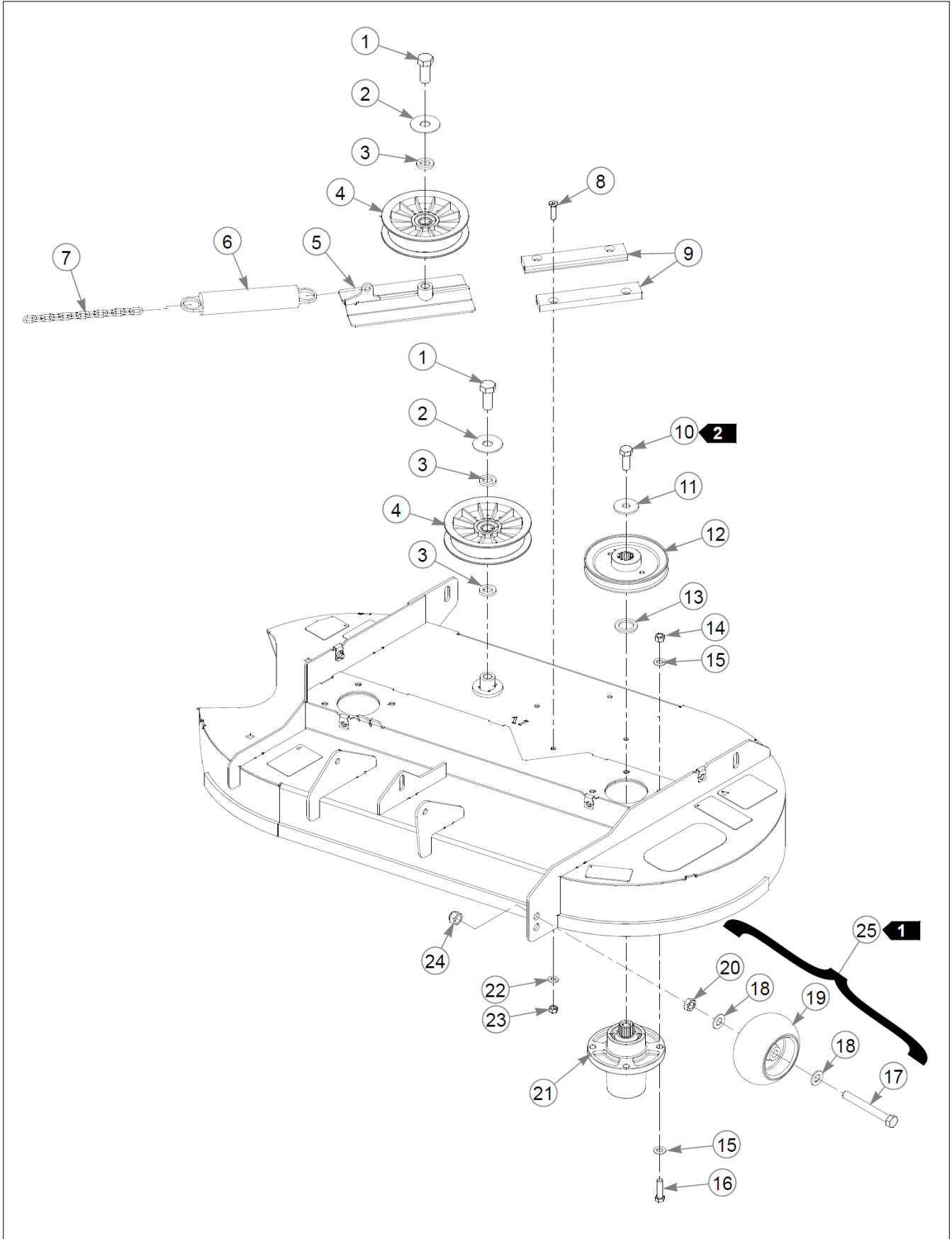
Comments for Page: 48" Deck Decals

jmumford@excelsii.com on May 7, 2015

1. Item 1 (Deck Weldment) includes Item 2-9.



Deck Section



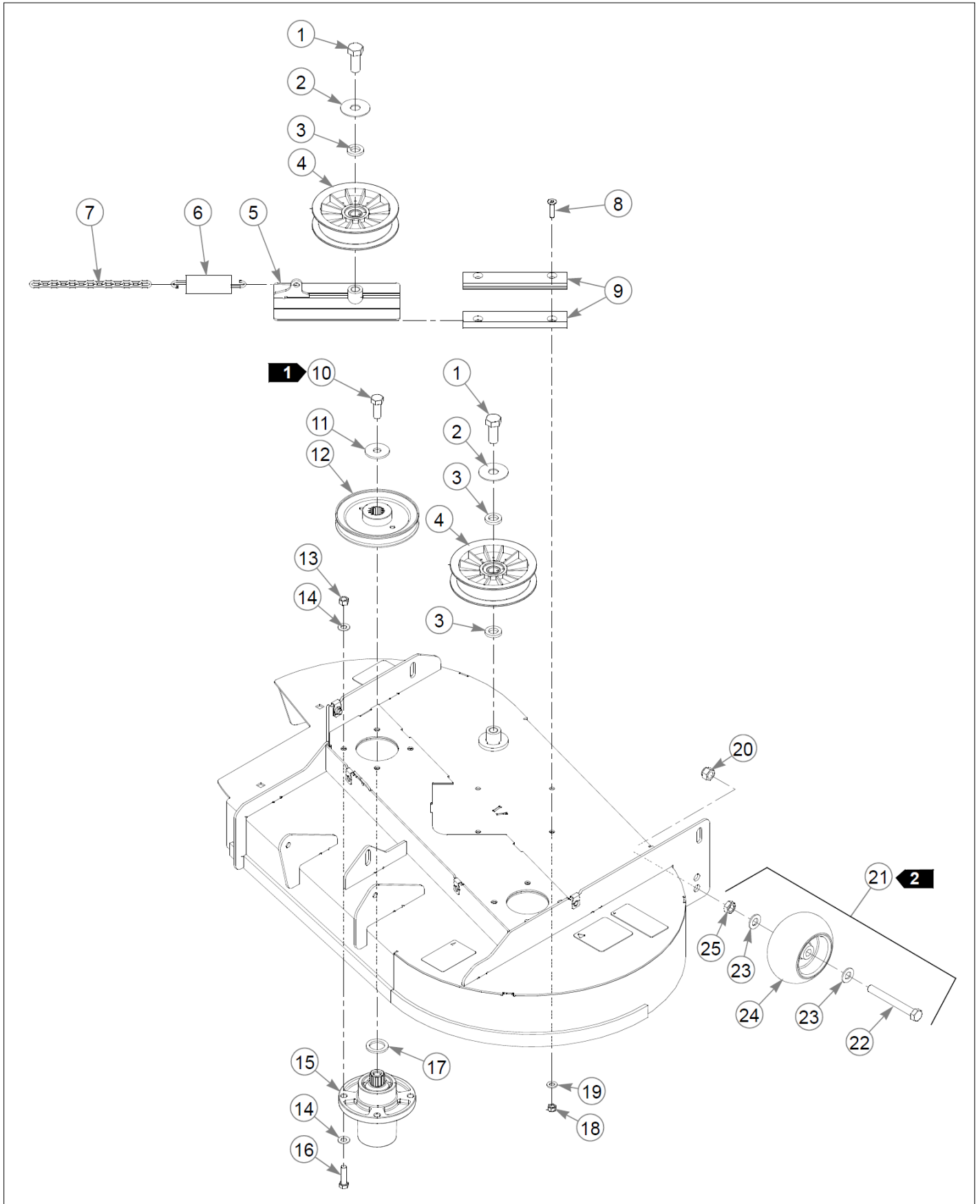
Item	Part No.	Name	Qty	Uom
1	794446	CS .625-11X1.500HXG5	2	EA
2	046821	FW 0.656X2.000X0.078	2	EA
3	797449	FW 0.630X1.125X0.180	3	EA
4	784504	PULLEY, IDLER, 5.00"OD,	2	EA
5	109770	IDLER SLIDE W/A	1	EA
6	781302	IDLER SPRING	1	EA
7	259812	CHAIN, 13 LINK	1	EA
8	784199	CS .312-18X1.250 FLT SH	4	EA
9	601619	IDLER SLIDE UHMW RT & LT	2	EA
10	705954	CS .500-13X1.250HSG5	2	EA
11	798603	FW .515X1.65X.125 HD ZY	2	EA
12	793778	PULLEY,DECK SPINDLE 36/	2	EA
13	045765	FW 1.030X1.500X0.134	2	EA
14	054502	NT .375-16HXG5	8	EA
15	767954	FW 0.379 x 0.813 x 0.063	16	EA
16	005116	CS .375-16X1.375	8	EA
17	781708	CS .500-13X4.250HXG5	1	EA
18	767962	FW .531 x 1.063 x .175	2	EA
19	031997	ANTI-SCALP WHEEL	1	EA
20	053199	NT .500-13JAMG5	1	EA
21	601804	SPINDLE ASSEMBLY	2	EA
22	768523	FW 0.343SAE	4	EA
23	058776	NT .312-18NLG5	4	EA
24	781567	NT .500-13NLG5	1	EA
25	788166	WHEEL ASSY, ANTI SCALP	1	EA

Comments for Page: 42" Deck Pulleys & Spindles - Forward Swept

jmumford@excelii.com on May 7, 2015

1. Item 25 includes Items 17–20.
2. Torque to 99 N-m.

Deck Section



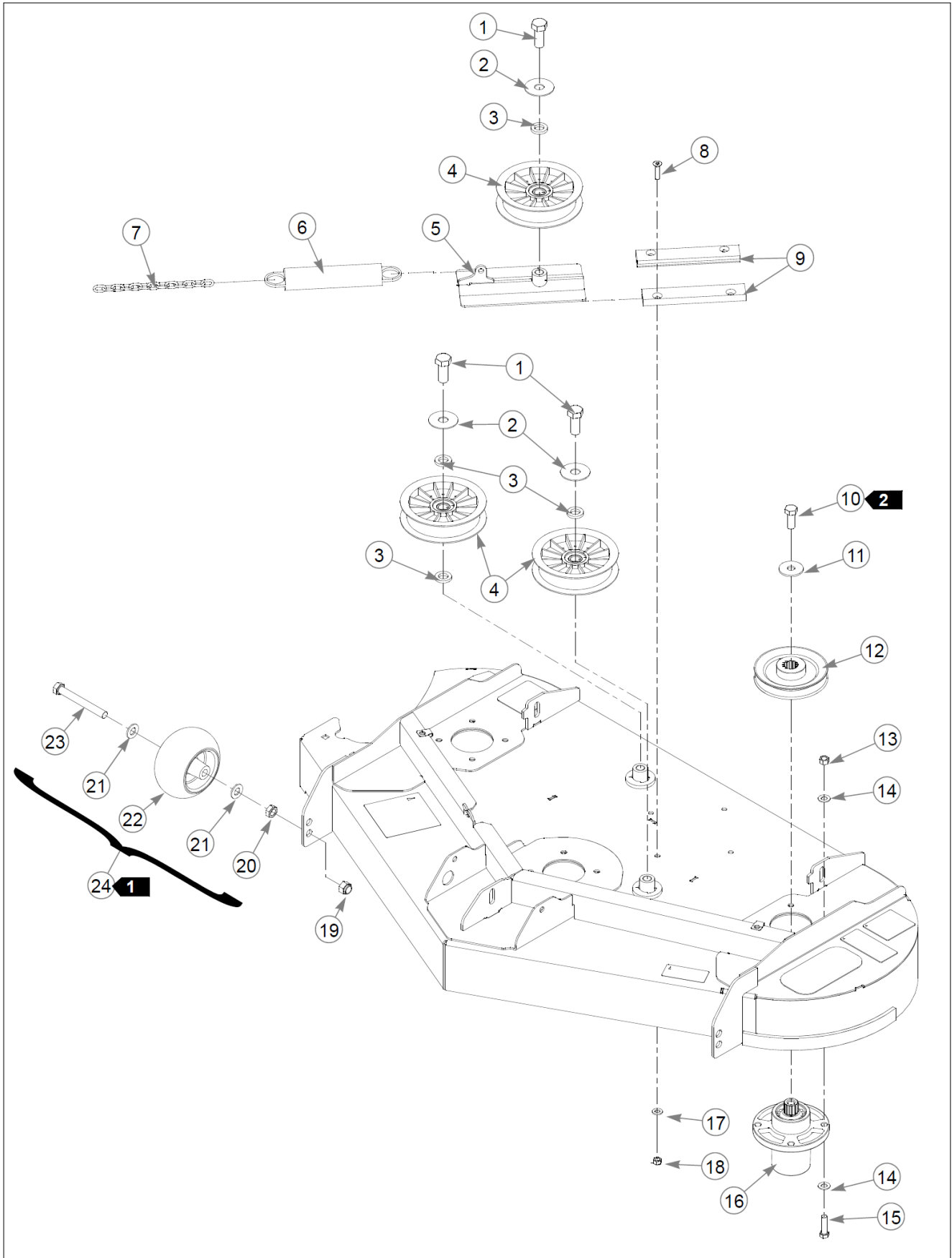
Item	Part No.	Name	Qty	Uom
1	794446	CS .625-11X1.500HXG5	2	EA
2	046821	FW 0.656X2.000X0.078	2	EA
3	797449	FW 0.630X1.125X0.180	3	EA
4	784504	PULLEY, IDLER, 5.00"OD,	2	EA
5	109770	IDLER SLIDE W/A	1	EA
6	036384	SPRING 1/4 COIL PL 1.23	1	EA
7	259812	CHAIN, 13 LINK	1	EA
8	784199	CS .312-18X1.250 FLT SH	4	EA
9	601619	IDLER SLIDE UHMW RT & LT	2	EA
10	705954	CS .500-13X1.250HSG5	2	EA
11	798603	FW .515X1.65X.125 HD ZY	2	EA
12	793778	PULLEY,DECK SPINDLE 36/	2	EA
13	054502	NT .375-16HXG5	8	EA
14	767954	FW 0.379 x 0.813 x 0.063	16	EA
15	601804	SPINDLE ASSEMBLY	2	EA
16	005116	CS .375-16X1.375	8	EA
17	045765	FW 1.030X1.500X0.134	2	EA
18	058776	NT .312-18NLG5	4	EA
19	768523	FW 0.343SAE	4	EA
20	781567	NT .500-13NLG5	1	EA
21	788166	WHEEL ASSY, ANTI SCALP	1	EA
22	781708	CS .500-13X4.250HXG5	1	EA
23	767962	FW .531 x 1.063 x .175	2	EA
24	031997	ANTI-SCALP WHEEL	1	EA
25	053199	NT .500-13JAMG5	1	EA

Comments for Page: Deck Pulleys & Spindles

jmumford@excelii.com on May 7, 2015

1. Torque to 91–101 N-m.
2. Item 21 includes items 22–25.

Deck Section



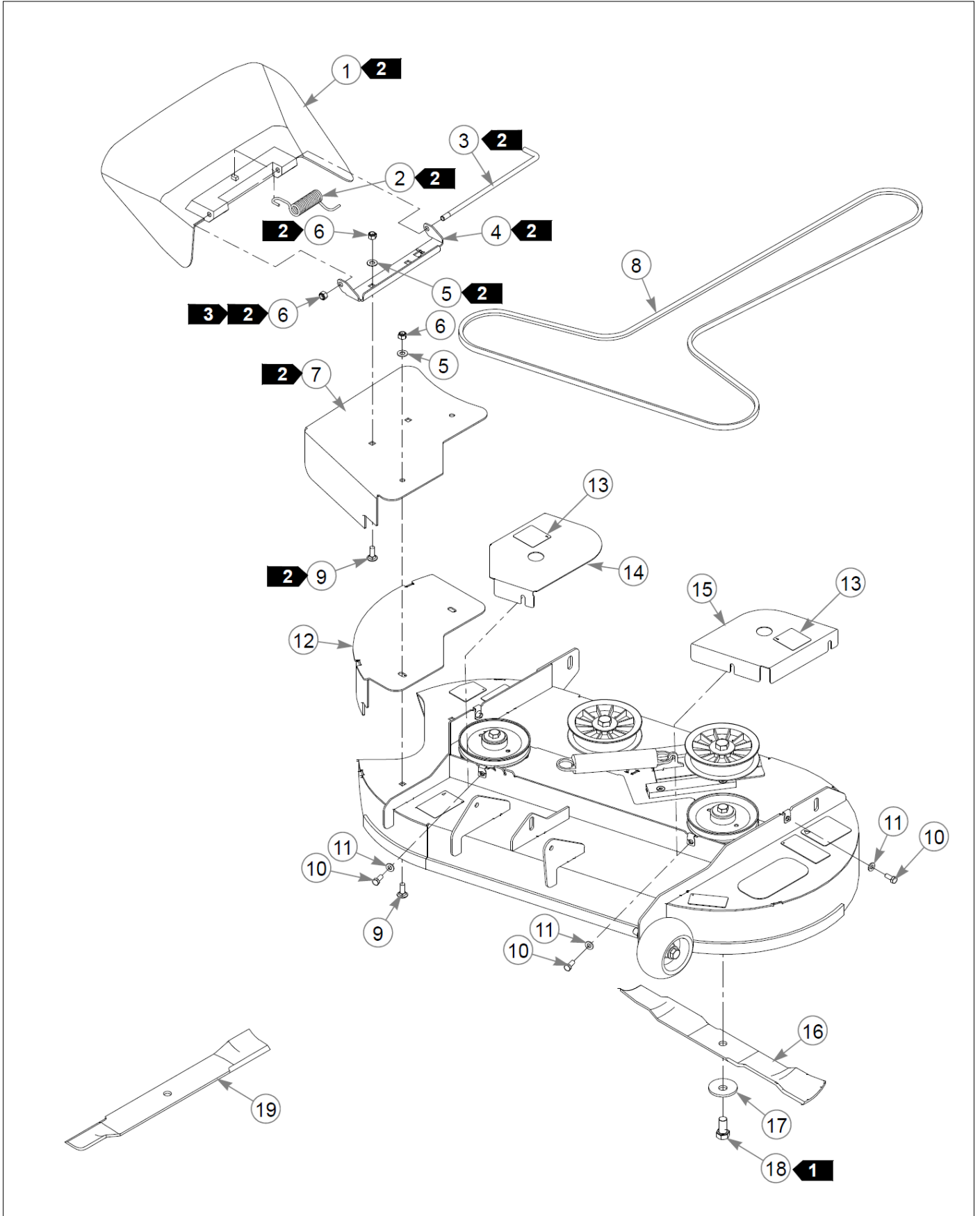
Item	Part No.	Name	Qty	Uom
1	794446	CS .625-11X1.500HXG5	3	EA
2	046821	FW 0.656X2.000X0.078	3	EA
3	797449	FW 0.630X1.125X0.180	4	EA
4	784504	PULLEY, IDLER, 5.00"OD,	3	EA
5	109770	IDLER SLIDE W/A	1	EA
6	781302	IDLER SPRING	1	EA
7	259812	CHAIN, 13 LINK	1	EA
8	784199	CS .312-18X1.250 FLT SH	4	EA
9	601619	IDLER SLIDE UHMW RT & LT	2	EA
10	705954	CS .500-13X1.250HSG5	3	EA
11	798603	FW .515X1.65X.125 HD ZY	3	EA
12	792689	PULLEY, DRIVE 5.19 OP	3	EA
13	054502	NT .375-16HXG5	12	EA
14	767954	FW 0.379 x 0.813 x 0.063	24	EA
15	005116	CS .375-16X1.375	12	EA
16	601804	SPINDLE ASSEMBLY	3	EA
17	768523	FW 0.343SAE	4	EA
18	058776	NT .312-18NLG5	4	EA
19	781567	NT .500-13NLG5	2	EA
20	053199	NT .500-13JAMG5	2	EA
21	767962	FW .531 x 1.063 x .175	4	EA
22	031997	ANTI-SCALP WHEEL	2	EA
23	781708	CS .500-13X4.250HXG5	2	EA
24	788166	WHEEL ASSY, ANTI SCALP	2	EA

Comments for Page: 48" Deck Pulleys & Spindles

jmumford@excelii.com on May 7, 2015

1. Item 24 includes Items 20–23.
2. Torque to 99 N-m.

Deck Section



Item	Part No.	Name	Qty	Uom
1	601806	DISCHARGE CHUTE	1	EA
2	602591	SPRING, TORSION HEAVY	1	EA
3	601843	PIN, CHUTE	1	EA
4	111067	BRACKET, CHUTE	1	EA
5	767954	FW 0.379 x 0.813 x 0.063	4	EA
6	086660	NT .375-16NLG5	5	EA
7	110846	PLATE, CHUTE ADPTR 42"	1	EA
8	600726	BELT, A 114.3" EL	1	EA
9	025395	CB .375-16X 1.00 G5 ZNY	4	EA
10	034280	CS .312-18X0.750HXG5	4	EA
11	768523	FW 0.343SAE	4	EA
12	110906	CLOSEOFF W/A	1	EA
13	602562	DECAL, NO SERVICE	2	EA
14	110891	PULLEY COVER, RH42 SPORT	1	EA
15	110892	PULLEY COVER, LH42 SPORT	1	EA
16	794214	BLADE,20.50"-MUL-F-CW	2	EA
17	782474	CW .678 X 2.250 X .187	2	EA
18	781872	CS .625-11X1.250HXG5	2	EA
19	793794	BLADE,20.50"-L-F-CW	2	EA

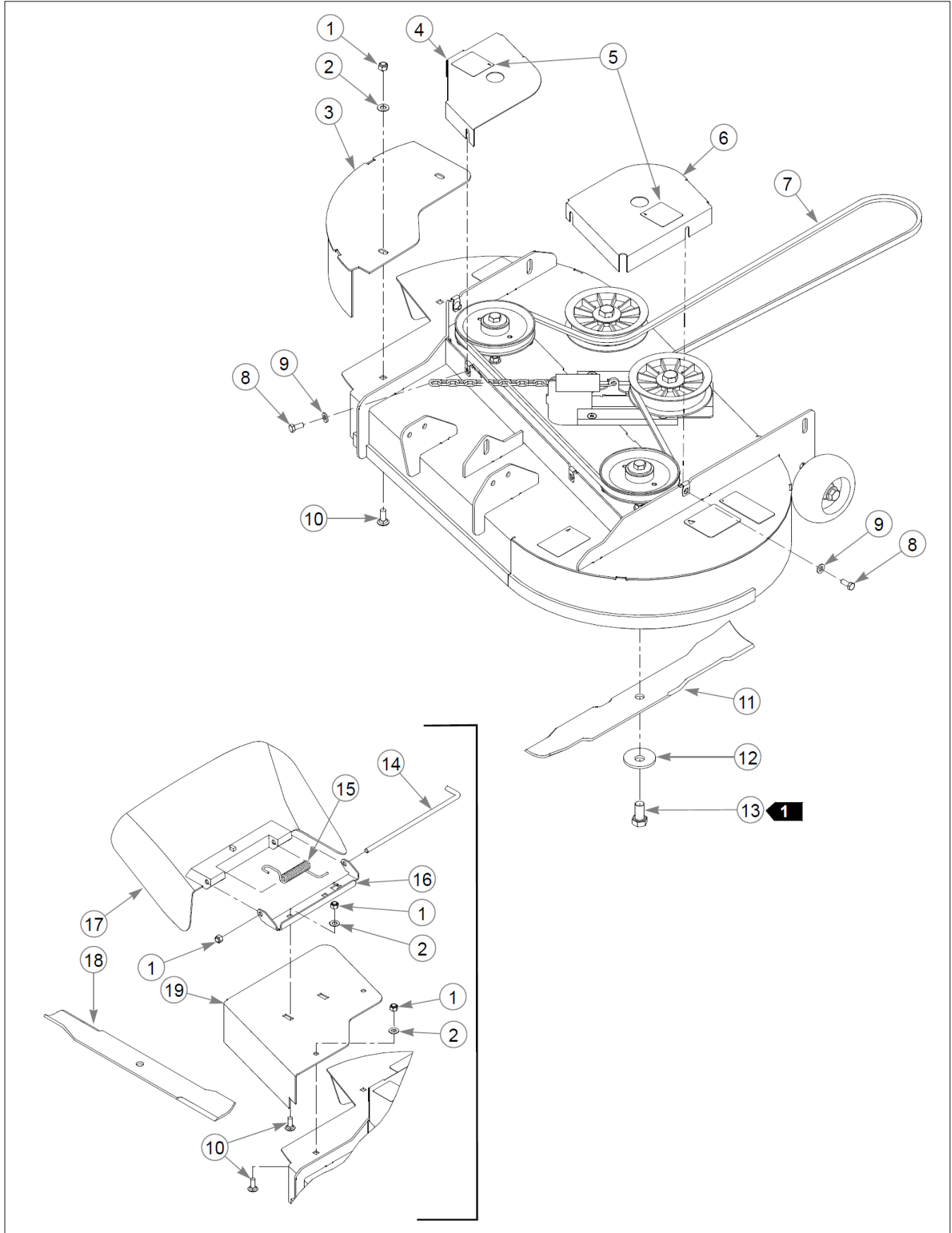
Comments for Page: 42" Deck

jmumford@excelii.com on May 7, 2015

1. Torque to 160N-m.
2. Items 1-7 & 9 (as flagged) must be used when mulch system is removed.
3. Do not torque, Item 1 (Discharge Chute) must pivot freely.



Deck Section



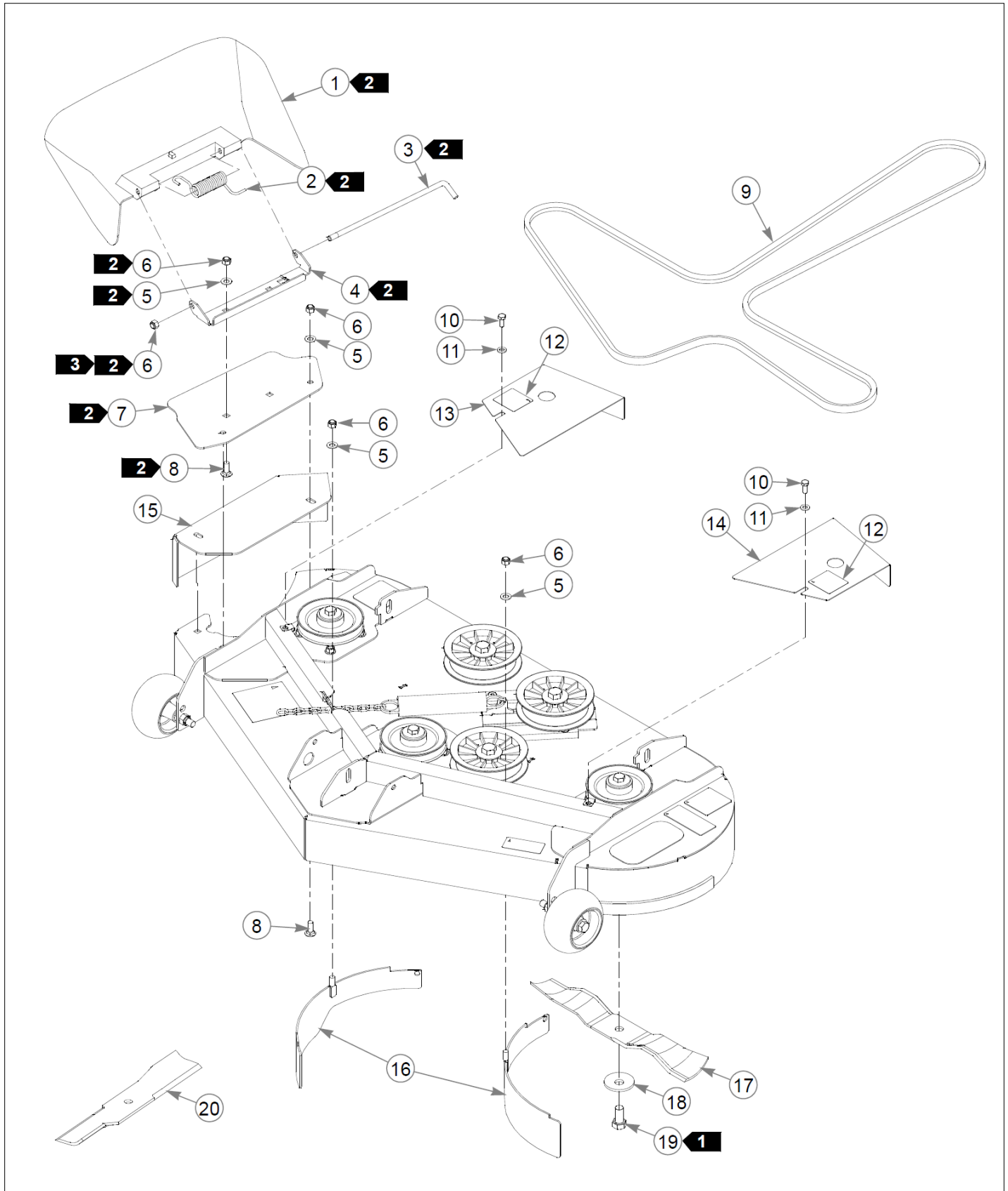
Item	Part No.	Name	Qty	Uom
1	086660	NT .375-16NLG5	5	EA
2	767954	FW 0.379 x 0.813 x 0.063	4	EA
3	112724	CLOSE OFF MULCH W/A	1	EA
4	112187	PULLEY COVER, RH C142	1	EA
5	602562	DECAL, NO SERVICE	2	EA
6	112188	PULLEY COVER, LH C142	1	EA
7	600726	BELT, A 114.3" EL	1	EA
8	034280	CS .312-18X0.750HXG5	4	EA
9	768523	FW 0.343SAE	4	EA
10	025395	CB .375-16X 1.00 G5 ZNY	4	EA
11	794214	BLADE,20.50"-MUL-F-CW	2	EA
12	782474	CW .678 X 2.250 X .187	2	EA
13	781872	CS .625-11X1.250HXG5	2	EA
14	601843	PIN, CHUTE	1	EA
15	601824	SPRING, TORSION	1	EA
16	111067	BRACKET, CHUTE	1	EA
17	601806	DISCHARGE CHUTE	1	EA
18	793794	BLADE,20.50"-L-F-CW	2	EA
19	112429	PLATE, DISCHARGE CHUTE	1	EA

Comments for Page: 42" Deck - Rear Swept

jmumford@excelii.com on May 7, 2015

1. Torque to 160 N.m.

Deck Section



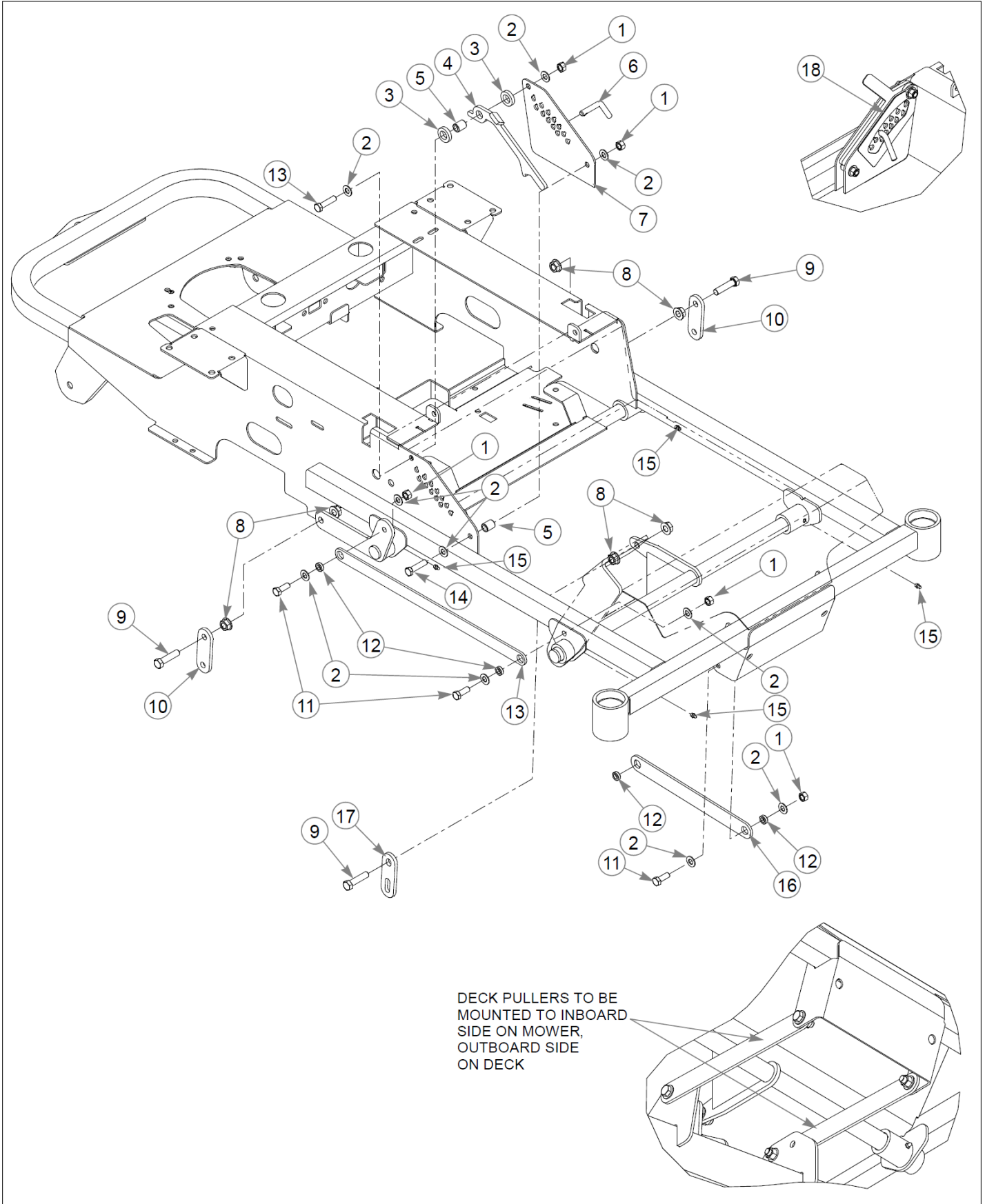
Item	Part No.	Name	Qty	Uom
1	601806	DISCHARGE CHUTE	1	EA
2	602591	SPRING, TORSION HEAVY	1	EA
3	601843	PIN, CHUTE	1	EA
4	111067	BRACKET, CHUTE	1	EA
5	767954	FW 0.379 x 0.813 x 0.063	6	EA
6	086660	NT .375-16NLG5	7	EA
7	110821	PLATE, CHUTE ADPTR 48"	1	EA
8	025395	CB .375-16X 1.00 G5 ZNY	4	EA
9	771634	BELT, B 134.50" EL	1	EA
10	034280	CS .312-18X0.750HXG5	2	EA
11	768523	FW 0.343SAE	2	EA
12	602562	DECAL, NO SERVICE	2	EA
13	110840	PULLEY COVER RS 48	1	EA
14	110841	PULLEY COVER LS, 48	1	EA
15	110887	CLOSE-OFF, MULCH 48 SPOR	1	EA
16	108225	Baffle Mulch,48" Common	2	EA
17	796623	BLADE, 16.50"-MUL-F-CW	3	EA
18	782474	CW .678 X 2.250 X .187	3	EA
19	781872	CS .625-11X1.250HXG5	3	EA
20	601123	BLADE, 16.50"-L-F-CW	3	EA

Comments for Page: 48" Deck

jmumford@excelii.com on May 7, 2015

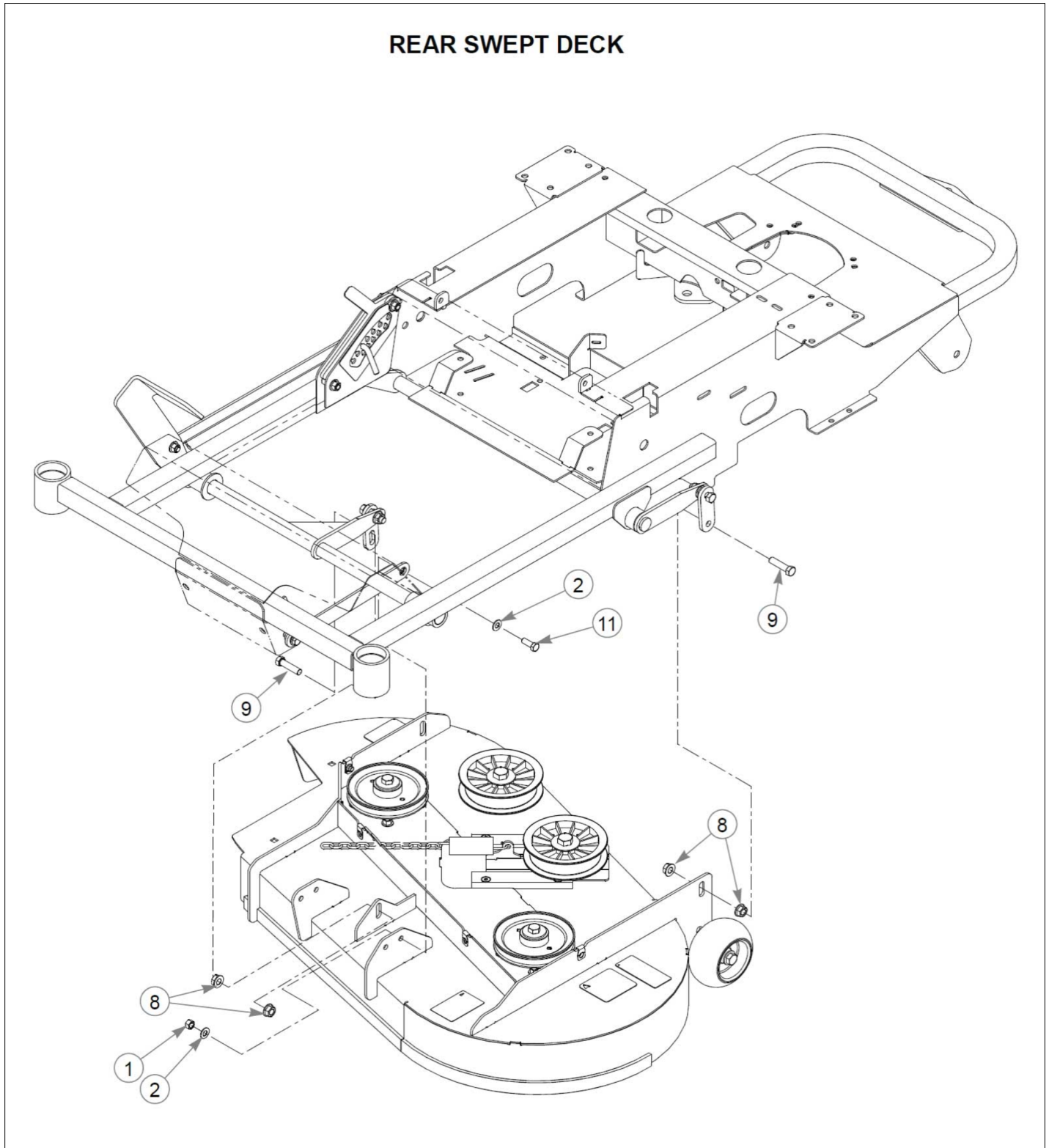
1. Torque to 160 N-m.
2. Items 1–8 (as flagged) must be used when mulch system is removed.
3. Do not torque, Item 1 (Discharge Chute) must pivot freely.

Deck Section

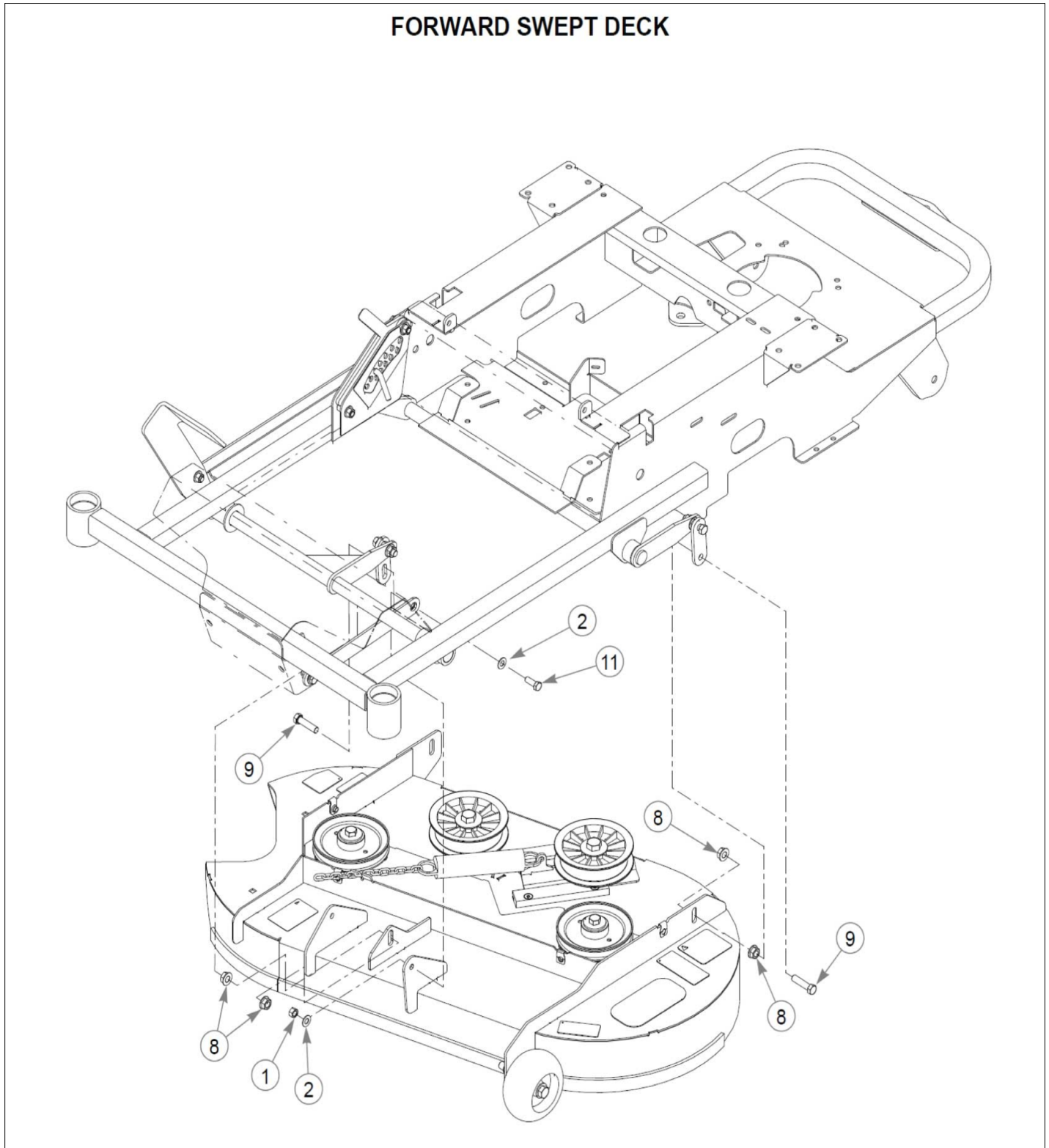


Item	Part No.	Name	Qty	Uom
1	054502	NT .375-16HXG5	8	EA
2	767954	FW 0.379 x 0.813 x 0.063	16	EA
3	769257	FW .656X 1.250X.250 ZNY	2	EA
4	110829	HANDLE, DECK HT LOCK	1	EA
5	348862	STEERLEVER BUSHING (PLA	2	EA
6	601963	PIN, DECK HEIGHT STOP	1	EA
7	550216CE	LS DECK ADJUST PLATE	1	EA
8	704643	NT .437-14FLKG5	12	EA
9	055749	CS .437-14X1.750HXG5	6	EA
10	110929	DECK LIFT LINK, NON-SLOT	2	EA
11	036244	CS .375-16X1.000HXG5	6	EA
12	601839	PIVOT SPACER BUSHING	6	EA
13	110884	LIFT PEDAL LINK,	1	EA
14	080655	CS .375-16X1.500HXG5	2	EA
15	015495	GREASE FITTING STRAIGHT	4	EA
16	110879	PULLER STRAP,	2	EA
17	110880	DECK LIFT LINK,	1	EA
18	601814CE	DECK HEIGHT DECAL	1	EA

### REAR SWEEP DECK



### FORWARD SWEEP DECK



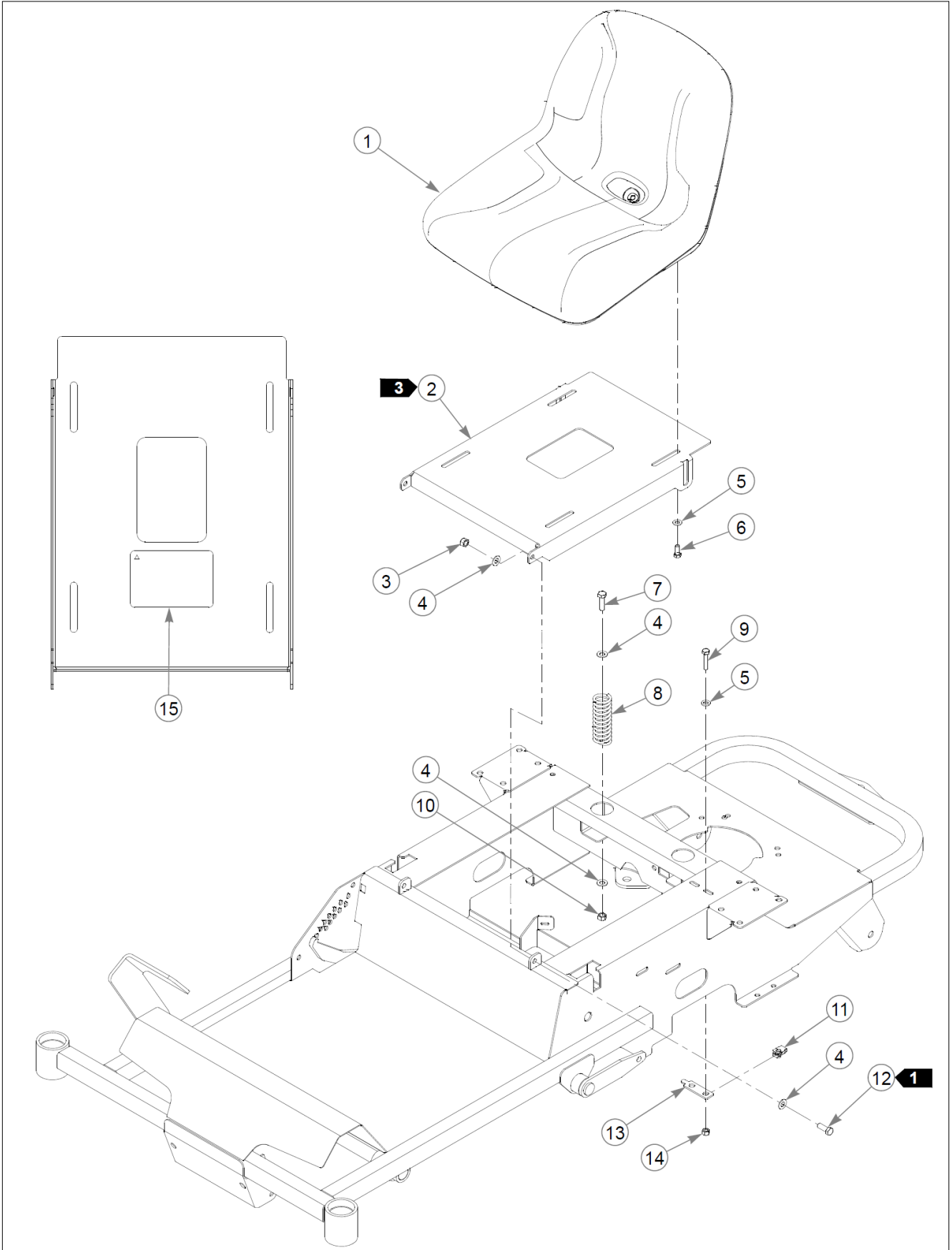


Comments for Page: Deck Lift

jmumford@excelii.com on May 7, 2015

1. Apply grease to zerks.
2. Item 7 (Deck Adjustment Plate) includes Item 18 (Deck Height Decal).
3. See following page for deck mounting hardware.

Seat Section



Item	Part No.	Name	Qty	Uom
1	601807	SEAT, Milsco	1	EA
2	550217	SEATPAN, SPORT	1	EA
3	086660	NT .375-16NLG5	2	EA
4	767954	FW 0.379 x 0.813 x 0.063	8	EA
5	768523	FW 0.343SAE	6	EA
6	034280	CS .312-18X0.750HXG5	4	EA
7	052860	CS .375-16X1.250 HX G5	2	EA
8	793851	SPRING,COMP 1.25X4.00X.	2	EA
9	756270	CS .312-18X1.500HXG5	2	EA
10	054502	NT .375-16HXG5	2	EA
11	601069	CN .312-18x.200 MAX THK	2	EA
12	036244	CS .375-16X1.000HXG5	2	EA
13	110876	CATCH, SEAT PAN	1	EA
14	070557	NT .312-18UNTG5	2	EA
15	601815	DECAL, BATTERY WARNINGS	1	EA

Comments for Page: Seat

jmumford@excelii.com on May 7, 2015

1. Do not torque, Item 2 (Seat Pan) must pivot freely.
2. Available service parts for Michigan seat: 793315 (Seat Switch).
3. Item 2 includes (601815 Battery Decal).

Appendix A:Pages Index

42" Deck ..... 8-7  
42" Deck - Rear Swept ..... 8-8  
42" Deck Decals - Forward Swept ..... 8-1  
42" Deck Pulleys & Spindles - Forward Swept 8-4  
48" Deck ..... 8-9  
48" Deck Decals ..... 8-3  
48" Deck Pulleys & Spindles ..... 8-6  
Battery ..... 7-2  
Deck Decals - Rear Swept ..... 8-2  
Deck Lift ..... 8-10  
Deck Pulleys & Spindles ..... 8-5  
Engine Guard ..... 3-2  
Engine, Kohler SV590 ..... 6-1  
Engine, Kohler SV715 ..... 6-2  
Frame ..... 3-1  
Fuel System ..... 6-3  
General Information ..... 1  
Hydraulic System ..... 4-1  
Instrument Panel ..... 7-1  
Park Brake ..... 4-5  
Pump Belt ..... 4-2  
Seat ..... 9-1  
Steering ..... 4-3  
Steering Assembly ..... 4-4  
Wheel & Tire ..... 5-1  
Wheel & Tire Breakdown ..... 5-2

Appendix B:Parts Index

000323	6-1, 6-2	055939	6-1, 6-2, 7-2
000331	6-1, 6-2, 7-1, 7-2	055947	6-1, 7-1
005116	8-4, 8-5, 8-6	056036	4-1
015495	8-10	058776	6-1, 8-4, 8-5, 8-6
015818	6-1, 6-2	059832	7-1
016972	4-2	061077	5-1
017004	6-1, 6-2	063198	4-5
017616	4-2	068551	4-5
019521	5-2	070557	9-1
023655	4-3, 4-4, 4-5	080655	8-10
024927	6-1, 6-2, 7-2	086660	4-4, 4-5, 8-7, 8-8, 8-9, 9-1
025395	8-7, 8-8, 8-9	104786	6-1, 6-2
028118	4-2	108225	8-9
029868	7-2	109754	8-3
029876	4-3, 6-1	109770	8-4, 8-5, 8-6
030817	6-1, 6-2	110000	4-5
031997	5-1, 8-4, 8-5, 8-6	110001	4-5
034272	3-2, 4-1, 4-3, 6-2	110007	4-4
034280	3-2, 4-3, 6-3, 8-7, 8-8, 8-9, 9-1	110008	4-4
036244	8-10, 9-1	110009	4-5
036384	4-2, 8-5	110014	4-3
038828	6-1	110063	3-1
042630	5-1	110080	6-3
043067	4-1	110081	6-3
044255	6-1, 6-2	110089	4-4
045765	8-4, 8-5	110116	5-1
045898	7-1	110370	4-4
046821	8-4, 8-5, 8-6	110821	8-9
048553	4-1, 4-5	110829	8-10
052860	9-1	110840	8-9
053199	5-1, 8-4, 8-5, 8-6	110841	8-9
054502	4-1, 4-4, 8-4, 8-5, 8-6, 8-10, 9-1	110846	8-7
055749	8-10	110876	9-1
		110879	8-10

110880	8-10	601053	7-1
110884	8-10	601062	6-1, 6-2
110887	8-9	601069	8-1, 8-2, 8-3, 9-1
110891	8-7	601098	7-1
110892	8-7	601123	8-9
110906	8-7	601131	4-5
110929	8-10	601398	4-2
111067	8-7, 8-8, 8-9	601426	4-3
111079	4-2	601619	8-4, 8-5, 8-6
111643	3-2	601624	8-2
111892	3-2	601801	6-1, 6-2
111906	7-1	601804	8-4, 8-5, 8-6
112187	8-8	601806	8-7, 8-8, 8-9
112188	8-8	601807	9-1
112411	6-2	601810	5-1
112429	8-8	601812	3-1
112724	8-8	601813	3-1
123634-3	4-1	601814CE	8-10
259812	8-4, 8-5, 8-6	601815	9-1
306969	5-1	601816	8-1, 8-3
339689	5-1	601817	8-1, 8-3
344267	5-1	601820	5-2
348417	7-2	601821	5-2
348862	8-10	601822	4-5
550011	8-1	601824	8-8
550216CE	8-10	601834	6-1, 6-2
550217	9-1	601837	8-1, 8-2, 8-3
550225	7-1	601839	8-10
550248CE	3-1	601840	6-1, 6-2
550249CE	3-1	601841	6-1, 6-2
550592	8-2	601843	8-7, 8-8, 8-9
600221	4-3	601892	8-1, 8-2, 8-3
600726	8-7, 8-8	601930	7-2
600981	4-3	601963	8-10

601967	3-1	765339	4-5
601981	3-1	767954	4-1, 4-4, 4-5, 8-4, 8-5, 8-6, 8-7, 8-8, 8-9, 8-10,
601982	6-1, 6-2, 7-2	9-1	
601983	4-2	767962	5-1, 8-4, 8-5, 8-6
601986	3-1	768044	5-1
601987	3-1	768515	4-5, 6-1, 6-2, 7-1, 7-2
602025	4-2	768523	3-2, 4-1, 4-3, 4-4, 4-5, 6-1, 6-2, 6-3, 8-4, 8-5, 8-
602026	4-2	6, 8-7, 8-8, 8-9, 9-1	
602041	3-1	769133	4-2
602079	5-1	769257	8-10
602232	7-1	770867	4-4
602243	8-1, 8-2	771428	6-1, 6-2, 7-2
602320	6-2	771634	8-9
602322	7-1	772806	5-2
602325	6-1	772814	5-2
602371	6-2	776310	3-1
602380	6-1	776476	7-1
602562	3-1, 8-7, 8-8, 8-9	779306	6-3
602591	8-7, 8-9	781211	4-5
603090	4-1	781260	4-4
603091	4-1	781302	8-4, 8-6
604816	4-4	781419CE	8-3
704478	6-1, 6-2	781567	4-2, 5-1, 8-4, 8-5, 8-6
704643	8-10	781708	5-1, 8-4, 8-5, 8-6
704932	7-1	781872	8-7, 8-8, 8-9
705178	4-4	781922	4-3
705954	5-1, 8-4, 8-5, 8-6	782474	8-7, 8-8, 8-9
710087	4-1	782573	3-1
712257	7-1	784199	8-4, 8-5, 8-6
712372	6-1, 6-2	784223	5-1
712976	5-1	784439	4-3
725796	4-5	784504	8-4, 8-5, 8-6
756270	9-1	784603	5-1
763417	6-1, 6-2	784827	4-2

785030	7-1
785139	3-1
785220	3-1
785543	6-1, 6-2
785808	7-1
786384	7-1
788166	5-1, 8-4, 8-5, 8-6
789776CE	3-1
791251	6-1, 6-2
792689	8-6
792788	6-1, 6-2
793174	4-1
793521	8-1, 8-2
793760	6-1, 6-2
793778	8-4, 8-5
793794	8-7, 8-8
793851	9-1
793885	6-2
793976	8-3
794214	8-7, 8-8
794446	8-4, 8-5, 8-6
794503	8-1, 8-2, 8-3
794644	7-2
794834CE	3-1
796516	6-1
796615	4-4
796623	8-9
796672	6-2
797449	8-4, 8-5, 8-6
798603	8-4, 8-5, 8-6
808485	3-1