

Hustler® Out-Front Deck CE Parts Manual



HUSTLER®

•••••

Excel Industries, Inc.

••••

P.O. Box 7000

•••

Hesston, Kansas

•

67062-2097

Table of Contents

Section 1

Service Literature	1-1
Options Available From Your Dealer	1-1
Using This Manual	1-1
Hardware Description Codes & Abbreviations	1-2
Standard Torques	1-2

Section 2

60" Side Discharge Deck	2-2
72" Side Discharge Deck	2-4
72" Rear Discharge Deck	2-6
60" Side Discharge Safety Covers	2-8
72" Side Discharge Safety Covers	2-10
72" Rear Discharge Safety Covers	2-12

Section 3

60" Side Discharge Wheels	3-2
72" Side Discharge Wheels	3-4
72" Rear Discharge Leading Edge & Deflectors	3-6
72" Rear Discharge Transport	3-10
Gauge Arm Breakdown	3-12
Front Wheel Breakdown	3-14
60" Side Discharge Transport	3-15
60" Right Side Lift Arm Breakdown	3-16
60" Left Side Lift Arm Breakdown	3-18
72" Side Discharge Transport	3-20
72" Right Side Lift Arm Breakdown	3-22
72" Left Side Lift Arm Breakdown	3-24

Section 4

60" Side Discharge Gearbox	4-2
72" Side Discharge Gearbox	4-4
72" Rear Discharge Gearbox	4-6
72" Rear Discharge Miscellaneous	4-8
60" Side Discharge Spindles & Pulleys	4-10
60" Side Discharge Baffles	4-12
72" Side Discharge Spindles & Pulleys	4-14
72" Side Discharge Baffles	4-16
72" Rear Discharge Spindles & Pulleys	4-18
Gearbox Breakdown—601641	4-20
Gearbox Breakdown—601712	4-22

Section 5

Debris Baffle Assembly	5-2
----------------------------------	-----

Index	i-1
-----------------	-----

Section 1

This Manual covers Hustler® Out-Front Deck models **928721CE, 928739CE & 928754CE..**

Service Literature

PART NO.	DESCRIPTION
109631CE	OPERATOR'S MANUAL

Options Available From Your Dealer

PART NO.	DESCRIPTION
111056	ANTI-SCALP WHEEL KIT

Note: When ordering parts, you must use the part number as shown for each part, not the index number. Always give the model and serial number to your parts and service representative.

Note: Items sold in bulk such as seals and hoses are sold by the foot.

Using This Manual

This manual is part of a service package for the Hustler® mowers. Use of this manual in conjunction with other Hustler® mower and component manuals will provide the information necessary to service and maintain Hustler® mowers.

This Parts Manual provides a complete parts listing for the unit. Use this manual when ordering parts. Illustrations used were current at the time of printing, but subsequent production changes may cause your machine to vary slightly in detail. Excel Industries, Inc. reserves the right to redesign and change the machine as deemed necessary, without notification. If a change has been made to your machine which is not reflected in this parts manual, see your authorized dealer for current information and parts.

The Operator's Manual provides fundamental operational information and operational safety that is needed when operating the mower.

The component manuals are furnished by the various manufacturers to be used for the troubleshooting and servicing of their products.

Hardware Description Codes & Abbreviations

The following codes are used throughout this parts manual. Refer to this list when ordering parts.

ABBREVIATION	DESCRIPTION	ABBREVIATION	DESCRIPTION
CB	CARRIAGE BOLT	MB	MACHINE BUSHING
CE	CLEVIS PIN	MS	MACHINE SCREW
CN	CLIP NUT	NT	NUT
CP	COTTER PIN	SC	SELF TAPPING CAP SCREW
CS	CAP SCREW	SH	SOCKET HEAD
CW	CUP WASHER	SB	SHOULDER BOLT
FDRW	FENDER WASHER	SS	SET SCREW
FW	FLAT WASHER	OD	OUTSIDE DIAMETER
HX	HEX HEAD	ID	INSIDE DIAMETER
LW	LOCK WASHER		

Standard Torques

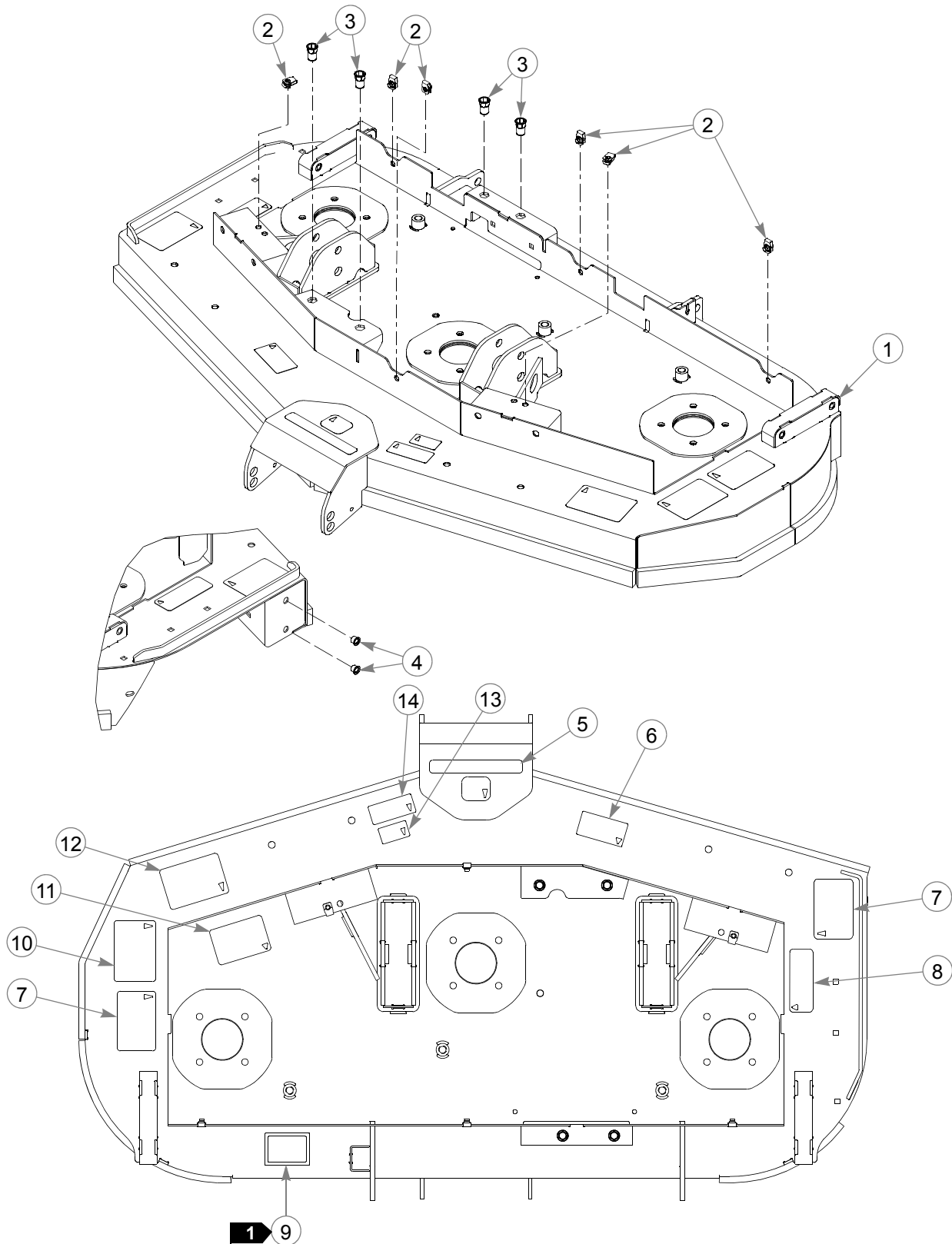
The following chart lists the standard torque values for the threaded fasteners found in this manual. Torque all cap screws, nuts and set screws to these values unless a different torque is shown in the Notes section next to the fastener.

SIZE	FT-LBS	N-M	SIZE	FT-LBS	N-M
.250	8.2	11.1	M3	1	1.3
.312	17	23	M4	2.2	3
.375	30	40	M5	4.5	6.1
.438	48	65	M6	7.7	10.4
.500	73	99	M8	18.5	25
.562	105	143	M10	37	50
.625	145	200	M12	64	87
.750	260	350	M14	80	108.5
.875	420	565	M16	160	215
1.00	625	850	M20	320	435
			M24	555	750

Section 2

60" Side Discharge Deck	2-2
72" Side Discharge Deck	2-4
72" Rear Discharge Deck	2-6
60" Side Discharge Safety Covers	2-8
72" Side Discharge Safety Covers	2-10
72" Rear Discharge Safety Covers	2-12

60" Side Discharge Deck



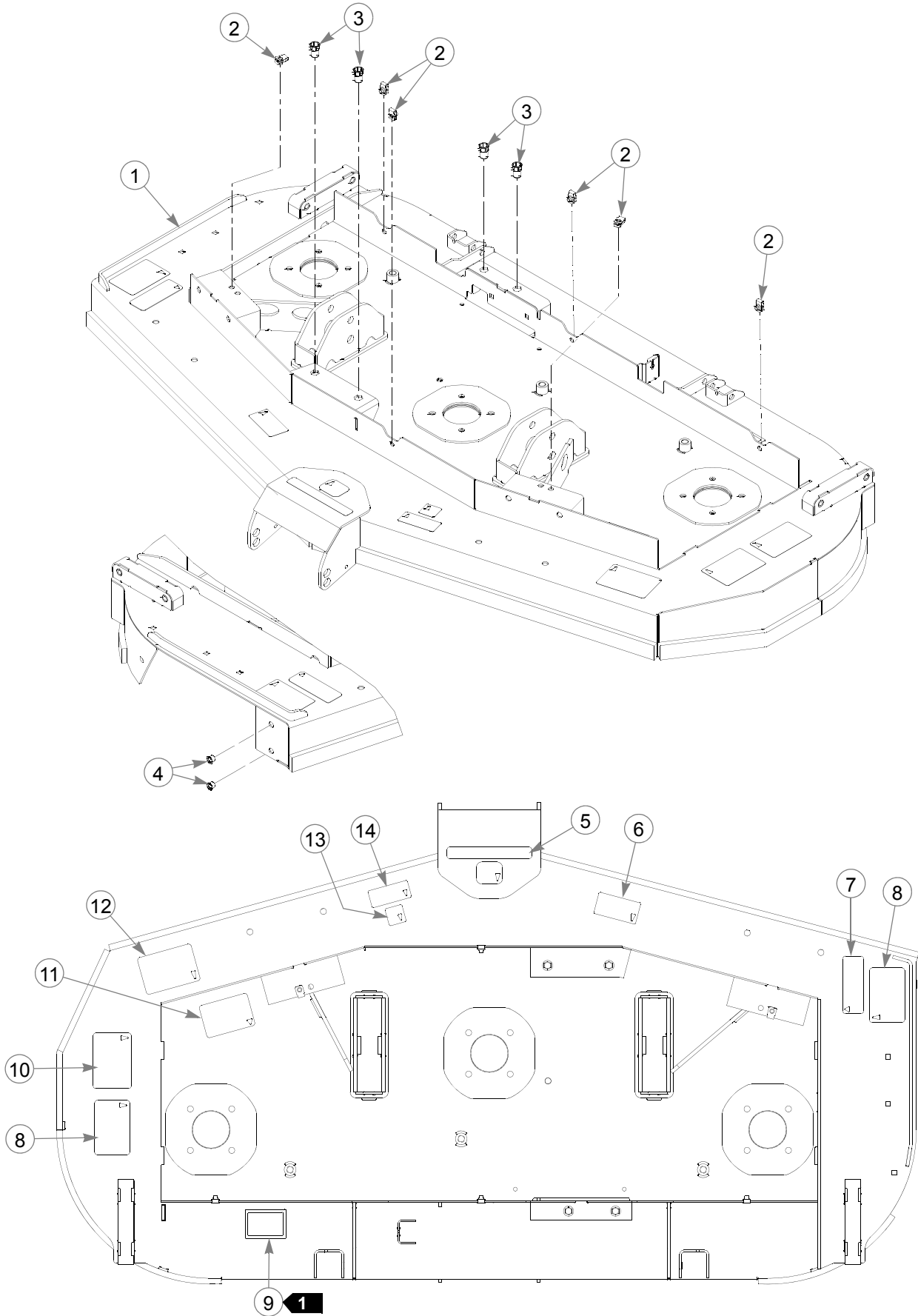
60" Side Discharge Deck

INDEX NO.	PART NO.	QTY.	DESCRIPTION
1	549683	1	60" SIDE DISCHARGE OUT-FRONT DECK (WITH DECALS & RIVET NUTS)
2	601069	6	CN .312-18 X .200 MAX THK
3	601573	4	1/2-13 THREAD RIVET NUT
4	808493	2	3/8-16 THREAD RIVET NUT
5	601649	1	HUSTLER ID DECAL
6	786277	1	60 DECK ID DECAL
7	601603	2	DECK SAFETY DECAL
8	601624	1	DISCHARGE CHUTE DECAL
9	N/A	1	TURF PRODUCTS SERIAL NO PLATE
10	602207	1	DECK PIN LOCK DECAL
11	601594	1	BELT ROUTING DECAL
12	601625	1	EYES, EARS, FEET DECAL
13	727172	1	'MADE IN U.S.A.' DECAL
14	797845	1	FUSION DECAL

NOTES:

1. In the event the serial number tag becomes damaged or illegible, please contact your Hustler dealer to order a replacement.

72" Side Discharge Deck



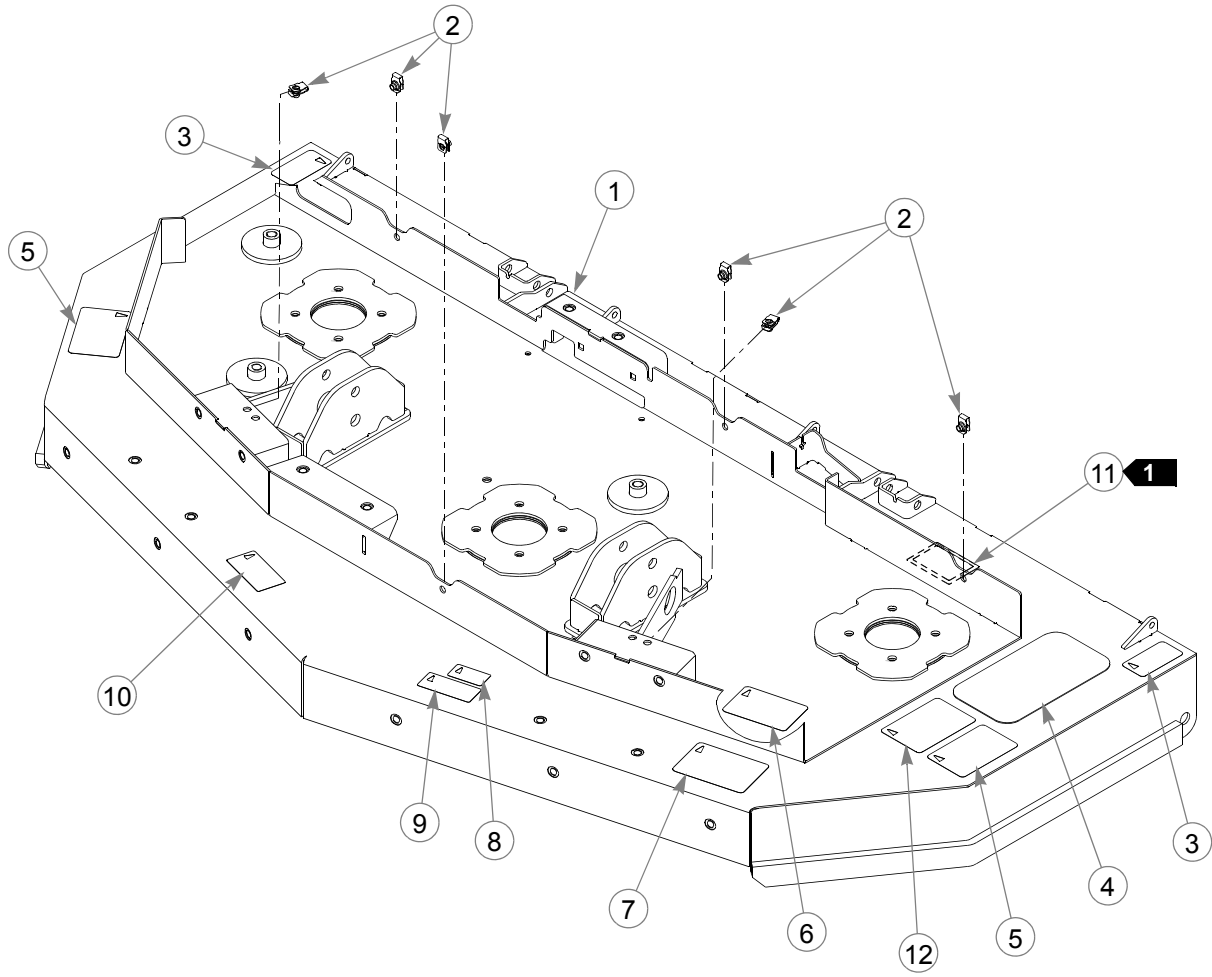
72" Side Discharge Deck

INDEX NO.	PART NO.	QTY.	DESCRIPTION
1	549691	1	72" SIDE DISCHARGE OUT-FRONT DECK (WITH DECALS & RIVET NUTS)
2	601069	6	CN .312-18 X .200 MAX THK
3	601573	4	RIVET NUT 1/2-13 THREAD
4	808493	2	RIVET NUT 3/8-16 THREAD
5	601649	1	HUSTLER ID DECAL
6	786285	1	72 DECK ID DECAL
7	601624	1	DISCHARGE CHUTE DECAL
8	601603	2	DECK SAFETY DECAL
9	N/A	1	SERIAL NO PLATE TURF PRODUCTS
10	602207	1	DECK PIN LOCK DECAL
11	601594	1	BELT ROUTING DECAL
12	601625	1	EYES, EARS, FEET DECAL
13	727172	1	'MADE IN U.S.A.' DECAL
14	797845	1	FUSION DECAL

NOTES:

1. In the event the serial number tag becomes damaged or illegible, please contact your dealer to order a replacement.

72" Rear Discharge Deck



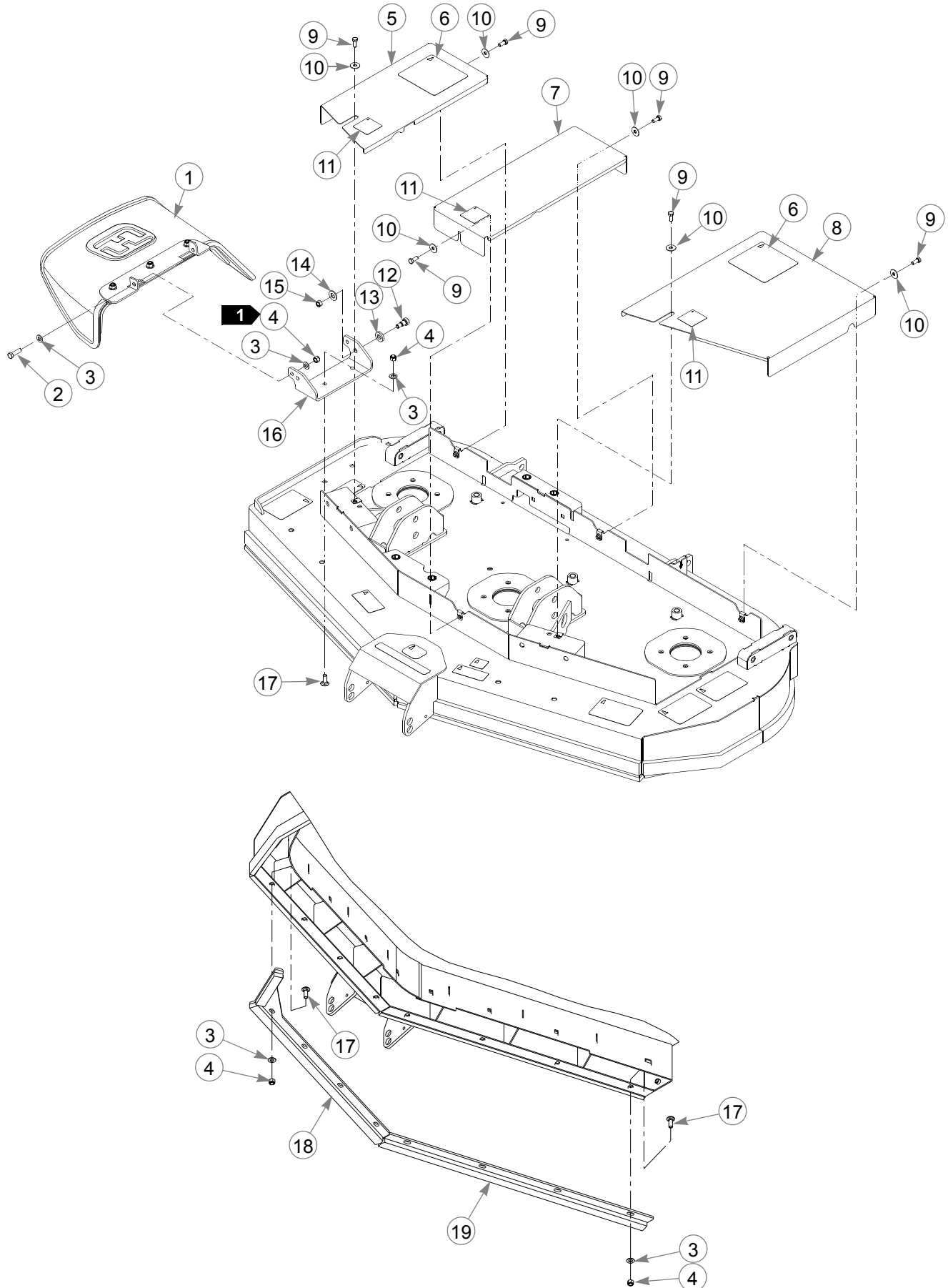
72" Rear Discharge Deck

INDEX NO.	PART NO.	QTY.	DESCRIPTION
1	550237	1	72" REAR DISCHARGE OUT-FRONT DECK (WITH DECALS & RIVET NUTS)
2	601069	6	CN .312-18 X .200 MAX THK
3	602054	2	DISCHARGE CHUTE DECAL
4	359547	1	STEP TREAD 5.00 X 9.00
5	601603	2	DECK SAFETY DECAL
6	601884	1	BELT ROUTING O-F DECAL
7	601625	1	EYES, EARS, FEET DECAL
8	727172	1	'MADE IN U.S.A.' DECAL
9	797845	1	FUSION DECAL
10	786285	1	72" DECK ID DECAL
11	N/A	1	TURF PRODUCTS SERIAL NO PLATE
12	602207	1	DECK PIN LOCK DECAL

NOTES:

1. In the event the serial number tag becomes damaged or illegible, please contact your Hustler dealer to order a replacement.

60" Side Discharge Safety Covers



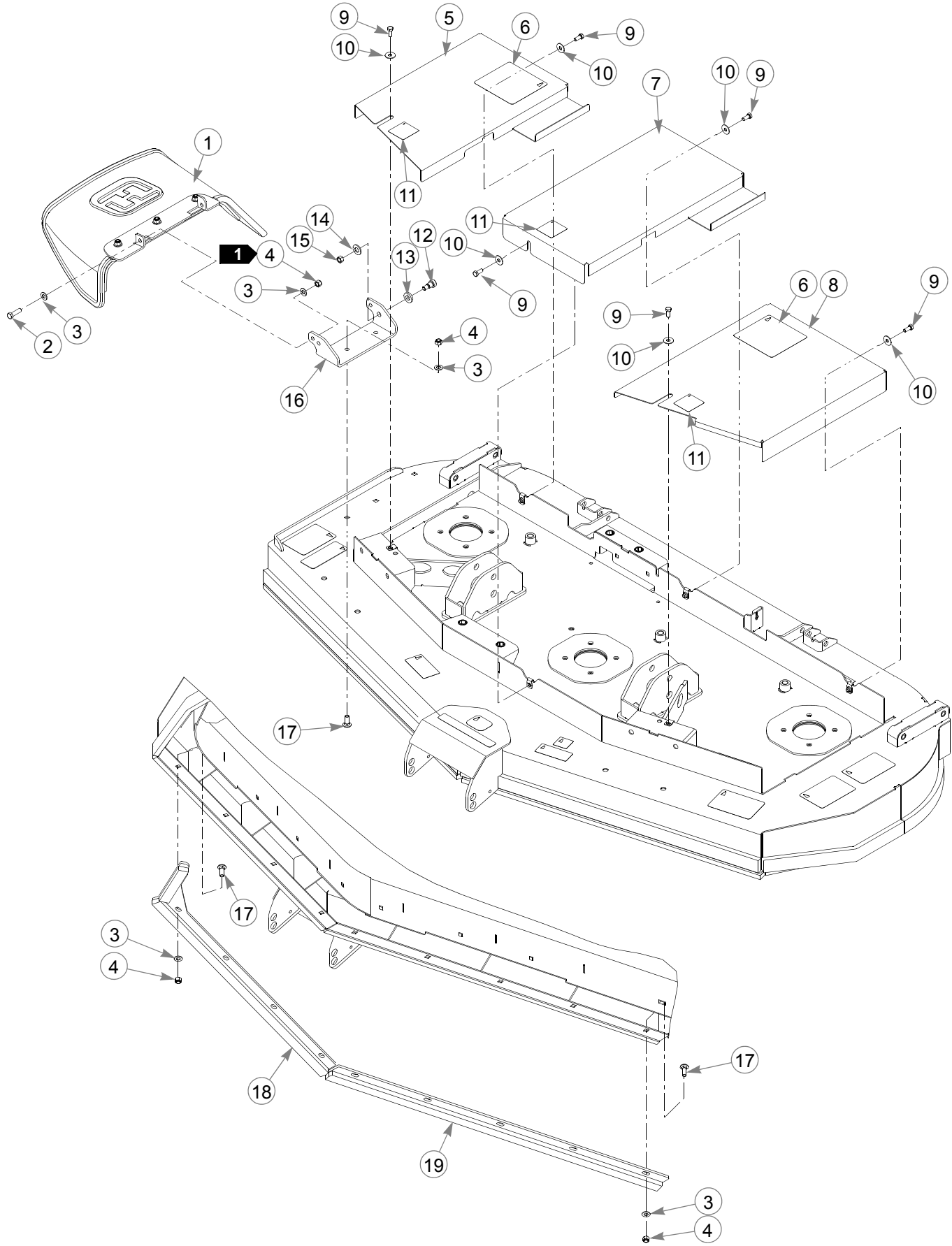
60" Side Discharge Safety Covers

INDEX NO.	PART NO.	QTY.	DESCRIPTION
1	798694	1	RUBBER CHUTE ASSEMBLY
2	052860	2	CS .375-16 X 1.250 HX G5
3	767954	14	FW .406 X .812 X .060 SAE
4	086660	12	NT .375-16 HXZY NL
5	550499	1	RIGHT PULLEY COVER (WITH DECALS)
6	601728	2	DECK HEIGHT DECAL
7	550510	1	CENTER PULLEY COVER (WITH DECAL)
8	550511	1	LEFT PULLEY COVER (WITH DECALS)
9	034280	6	CS .312-18 X .750 HX G5
10	079210	6	FW .344 X 1.00 X .06 ZNYC
11	602562	3	NO SERVICE DECAL
12	750414	1	SB .500 X .500 SH .375-1
13	070037	1	FW .530 X 1.06 X .19 HRD Z
14	767962	1	FW .531 X 1.063 X .090 SAE
15	054502	1	NT .375-16 HX GRD 5 ZNY
16	103010	1	DISCHARGE CHUTE BRACKET
17	025395	10	CB .375-16 X 1.00 STD CD
18	108543	1	60" LEFT SIDE CE ADAPTER
19	104380	1	60" RIGHT SIDE BLOWOUT

NOTES:

1. Do not torque, Discharge Chute must pivot freely.

72" Side Discharge Safety Covers



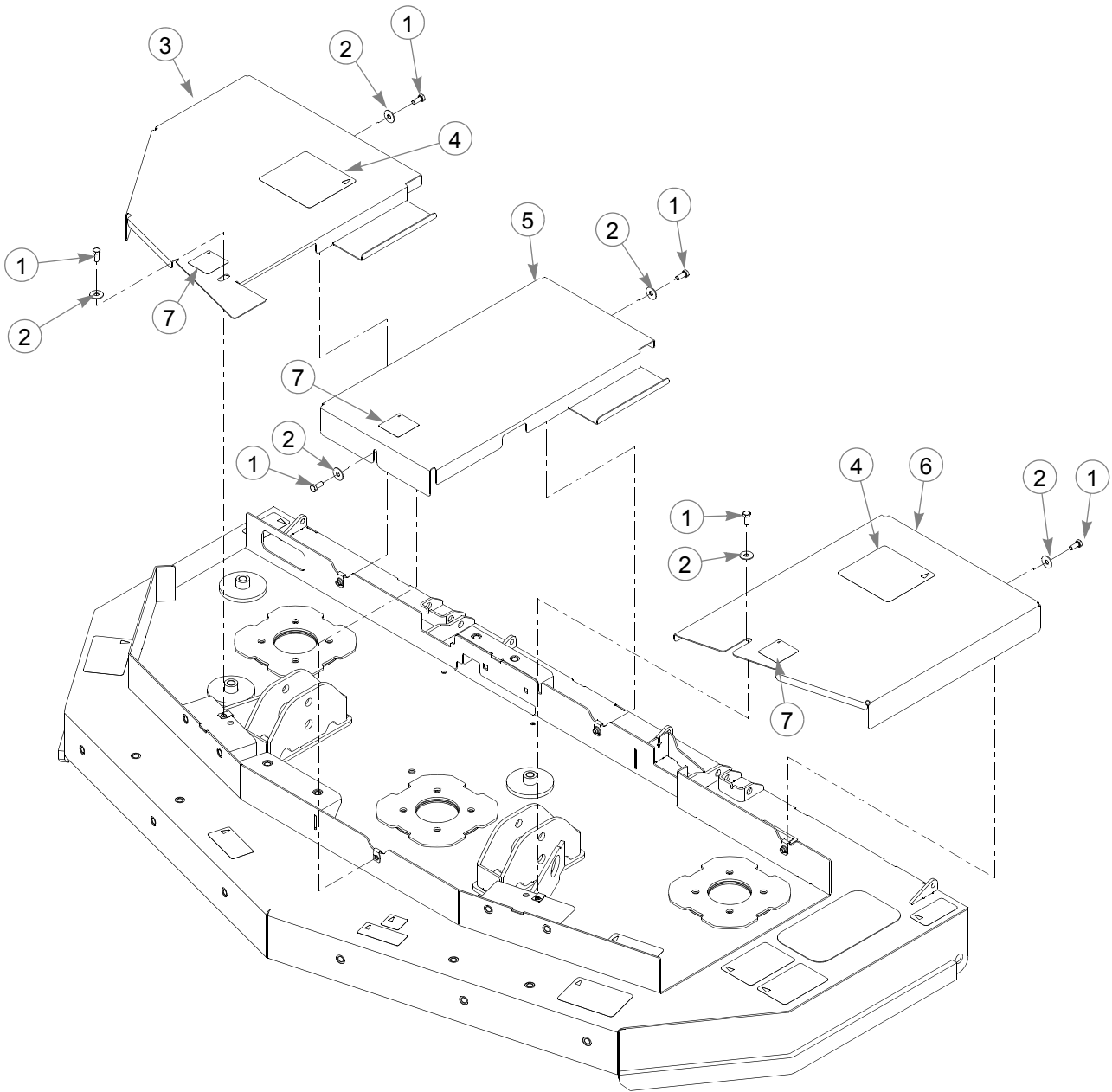
72" Side Discharge Safety Covers

INDEX NO.	PART NO.	QTY.	DESCRIPTION
1	798694	1	RUBBER CHUTE ASSEMBLY
2	052860	2	CS .375-16 X 1.250 HX G5
3	767954	15	FW .406 X .812 X .060 SAE
4	086660	13	NT .375-16 HXZY NL
5	550512	1	RIGHT PULLEY COVER (WITH DECALS)
6	601728	2	DECK HEIGHT DECAL
7	550513	1	CENTER PULLEY COVER (WITH DECAL)
8	550514	1	LEFT PULLEY COVER (WITH DECALS)
9	034280	6	CS .312-18 X .750 HX G5
10	079210	6	FW .344 X 1.00 X .06 ZNYC
11	602562	3	NO SERVICE DECAL
12	750414	1	SB .500 X .500 SH .375-1
13	070037	1	FW .530 X 1.06 X .19 HRD Z
14	767962	1	FW .531 X 1.063 X .090 SAE
15	054502	1	NT .375-16 HX GRD 5 ZNY
16	103010	1	DISCHARGE CHUTE BRACKET
17	025395	11	CB .375-16 X 1.00 STD CD
18	108667	1	LEFT SIDE 72" CE BLOWOUT
19	107623	1	RIGHT SIDE 72" CE BLOWOUT

NOTES:

1. Do not torque, Discharge Chute must pivot freely.

72" Rear Discharge Safety Covers



72" Rear Discharge Safety Covers

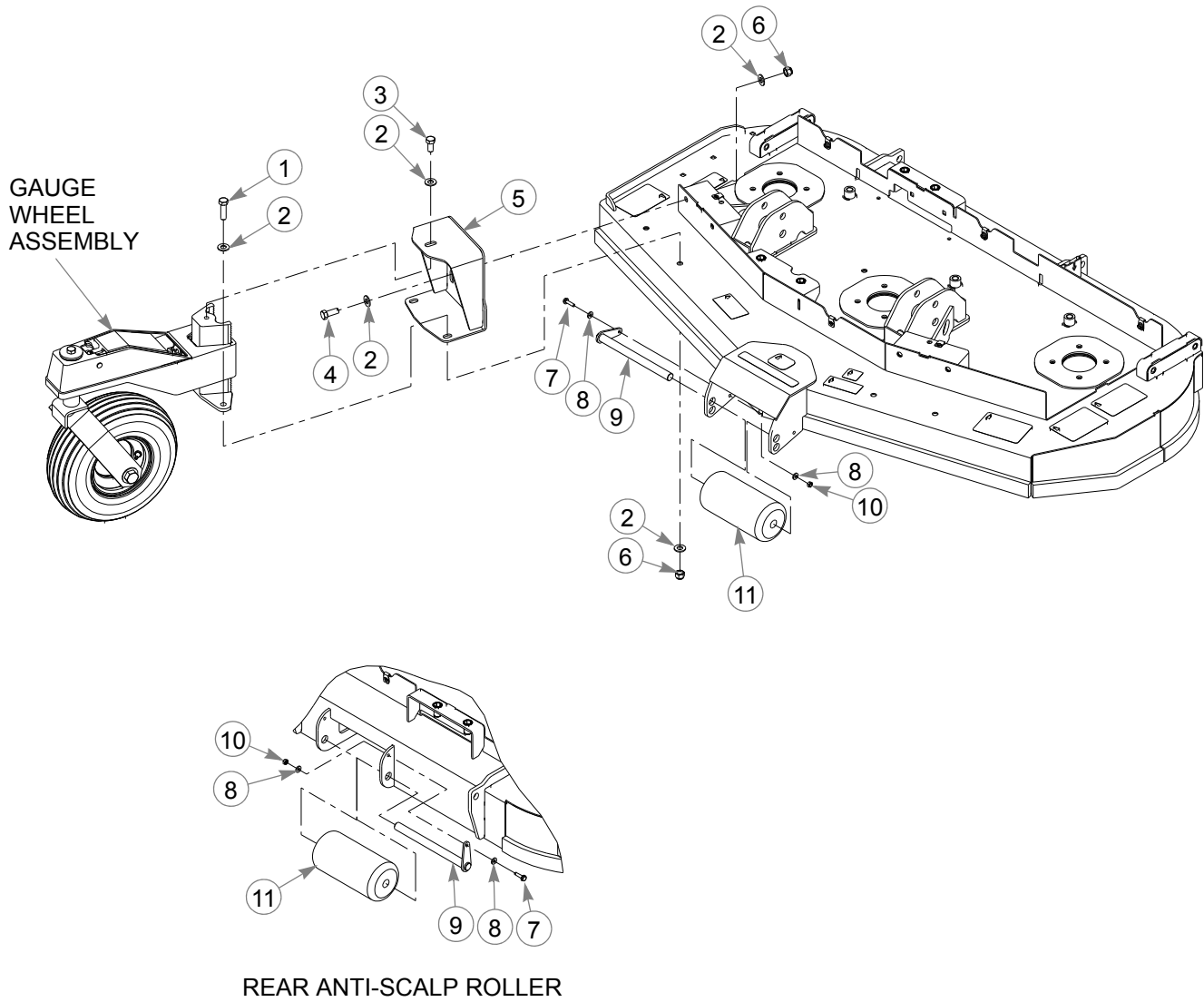
INDEX NO.	PART NO.	QTY.	DESCRIPTION
1	034280	6	CS .312-18 X .750 HX G5
2	079210	6	FW .344 X 1.00 X .06 ZNYC
3	550515	1	RIGHT SIDE PULLEY COVER (WITH DECALS)
4	601728	2	DECK HEIGHT DECAL
5	550516	1	CENTER PULLEY COVER (WITH DECAL)
6	550517	1	LEFT SIDE PULLEY COVER (WITH DECALS)
7	602562	3	NO SERVICE DECAL

NOTES:

Section 3

60" Side Discharge Wheels	3-2
72" Side Discharge Wheels	3-4
72" Rear Discharge Leading Edge & Deflectors	3-6
72" Rear Discharge Transport	3-10
Gauge Arm Breakdown	3-12
Front Wheel Breakdown	3-14
60" Side Discharge Transport	3-15
60" Right Side Lift Arm Breakdown	3-16
60" Left Side Lift Arm Breakdown	3-18
72" Side Discharge Transport	3-20
72" Right Side Lift Arm Breakdown	3-22
72" Left Side Lift Arm Breakdown	3-24

60" Side Discharge Wheels

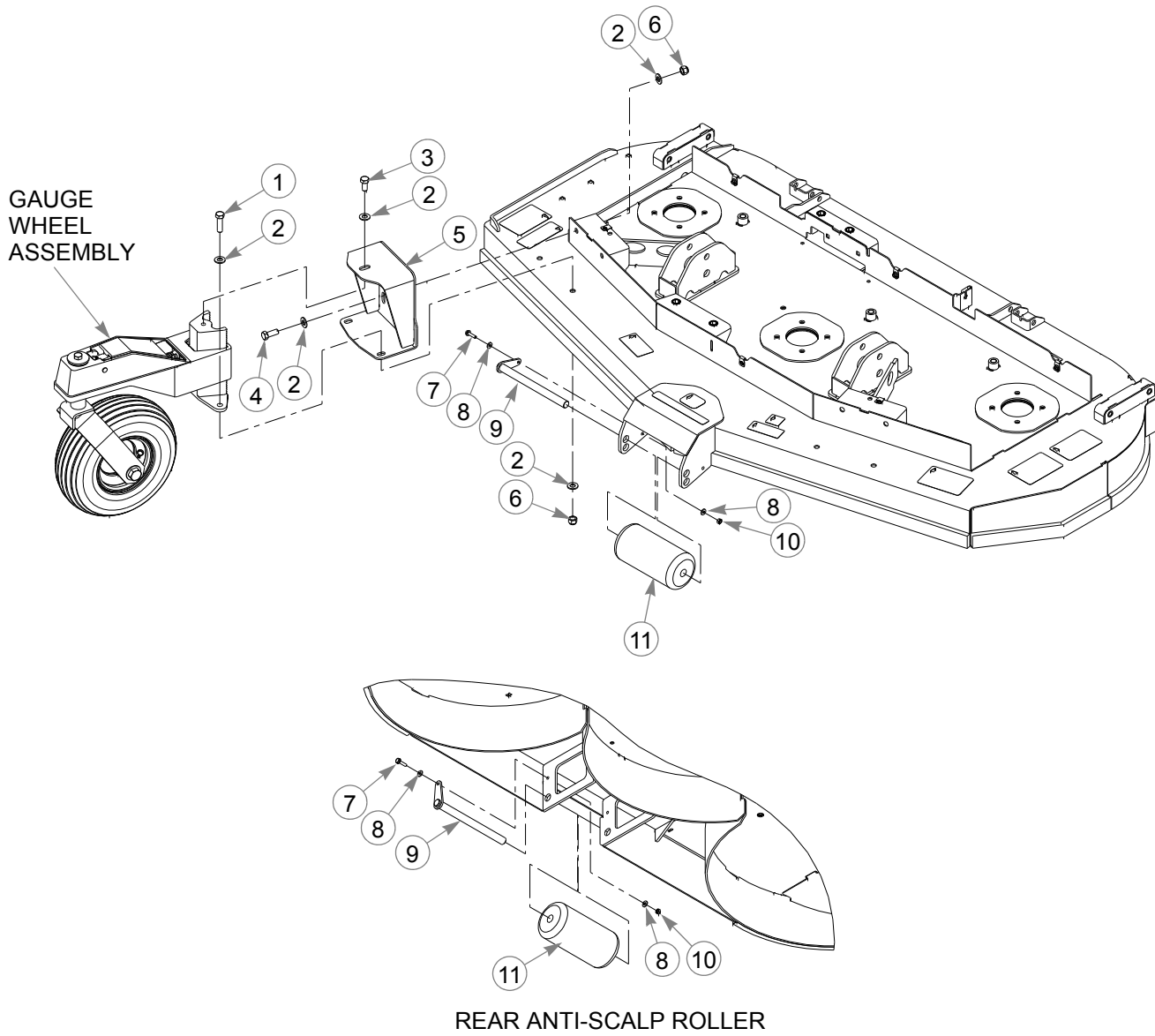


60" Side Discharge Wheels

INDEX NO.	PART NO.	QTY.	DESCRIPTION
1	017616	4	CS .500-13 X 1.750 HX G5
2	767962	18	FW .531 X 1.063 X .090 SAE
3	016527	2	CS .500-13 X 1.00 HX G5 Z
4	705954	4	CS .500-13 X 1.25 HX G5 Z
5	109591	2	GAUGE ARM MOUNT
6	781567	8	NT .500-13 HX G8 ZY NL
7	016154	2	CS .250-20 X 1.000 HXFLK
8	768515	4	FW .281 X .625 X .051/.080H
9	109616	2	SCALP ROLLER AXLE
10	068551	2	NT .250-20 HXZY NL
11	601536	2	ANTI-SCALP ROLLER

NOTES:

72" Side Discharge Wheels

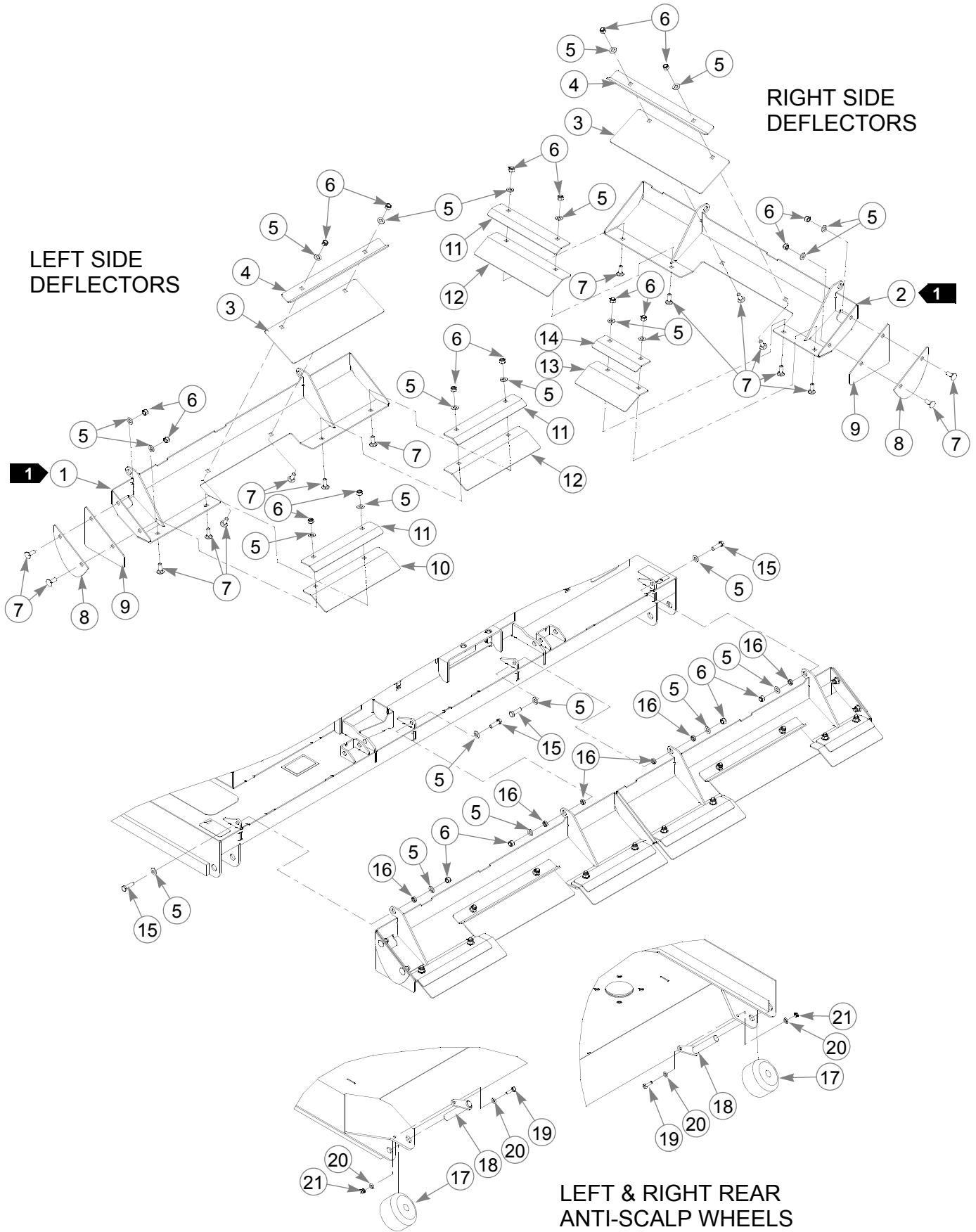


72" Side Discharge Wheels

INDEX NO.	PART NO.	QTY.	DESCRIPTION
1	017616	4	CS .500-13 X 1.750 HX G5
2	767962	18	FW .531 X 1.063 X .090 SAE
3	016527	2	CS .500-13 X 1.00 HX G5 Z
4	705954	4	CS .500-13 X 1.25 HX G5 Z
5	109591	2	GAUGE ARM MOUNT
6	781567	8	NT .500-13 HX G8 ZY NL
7	016154	2	CS .250-20 X 1.000 HXFLK
8	768515	4	FW .281 X .625 X .051/.080H
9	109616	2	SCALP ROLLER AXLE
10	068551	2	NT .250-20 HXZY NL
11	601536	2	ANTI-SCALP ROLLER

NOTES:

72" Rear Discharge Leading Edge & Deflectors



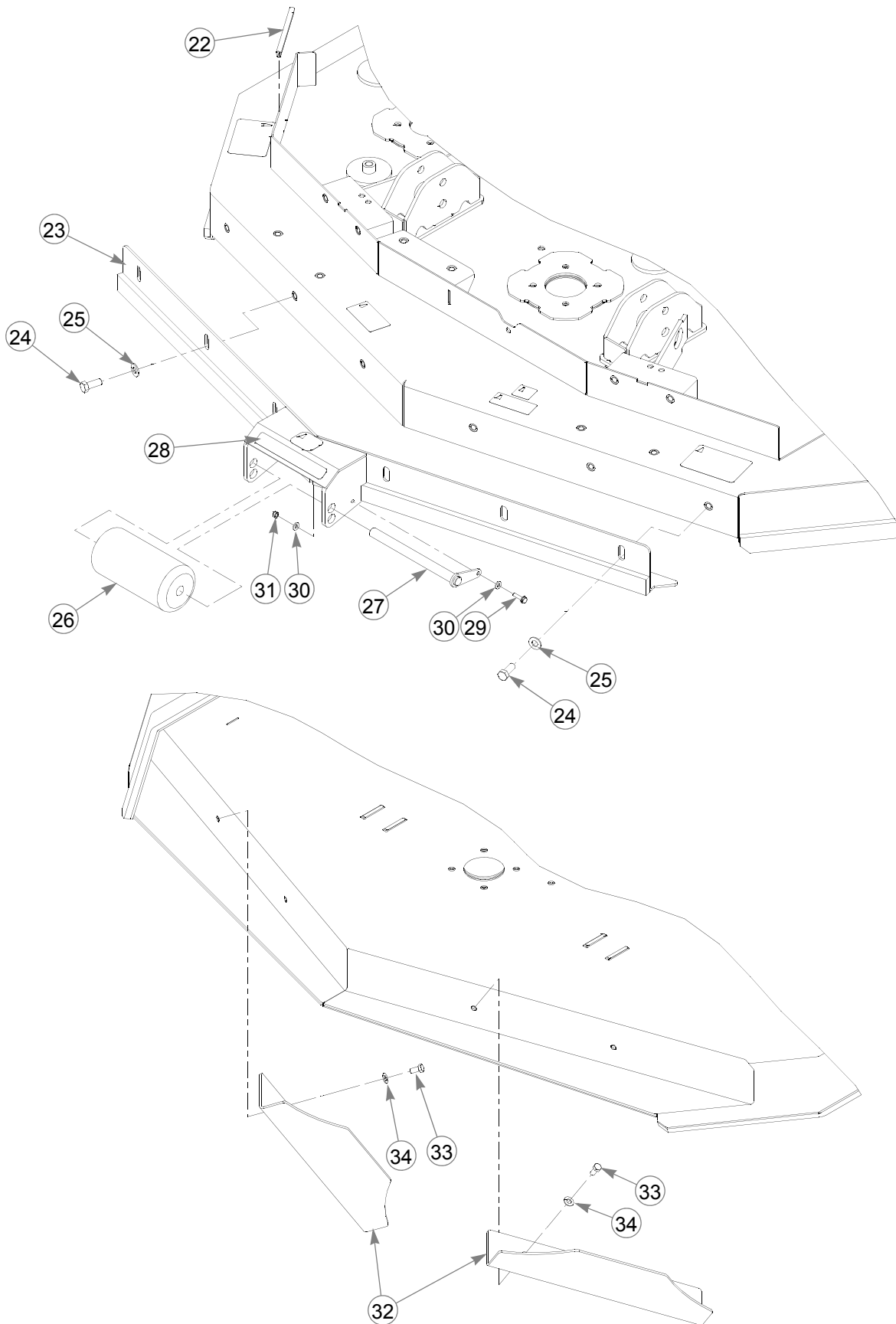
72" Rear Discharge Leading Edge & Deflectors

INDEX NO.	PART NO.	QTY.	DESCRIPTION
1	111259	1	LEFT SIDE DEFLECTOR SHIELD
2	111258	1	RIGHT SIDE DEFLECTOR SHIELD
3	601927	2	CENTER RUBBER FLAP
4	111267	2	CENTER KEEPER BRACKET
5	767954	24	FW .406 X .812 X .060 SAE
6	086660	20	NT .375-16 HXZY NL
7	025395	16	CB .375-16 X 1.00 STD CD
8	111162	2	SIDE KEEPER BRACKET
9	601888	2	SIDE RUBBER FLAP
10	601925	1	LEFT SIDE RUBBER FLAP
11	111265	3	OUTSIDE KEEPER BRACKET
12	601924	2	INSIDE RUBBER FLAP
13	601923	1	RIGHT SIDE RUBBER FLAP
14	111263	1	RIGHT SIDE KEEPER BRACKET
15	052860	4	CS .375-16 X 1.250 HX G5
16	601839	6	PIVOT SPACER BUSHING
17	602198	2	ANTI-SCALP ROLLER
18	111023	2	ANTI-SCALP AXLE
19	016154	2	CS .250-20 X 1.000 HXFLK
20	768515	4	FW .281 X .625 X .051/.080H
21	068551	2	NT .250-20 HXZY NL

NOTES:

1. Deflectors to pivot freely after assembly.

72" Rear Discharge Leading Edge & Deflectors

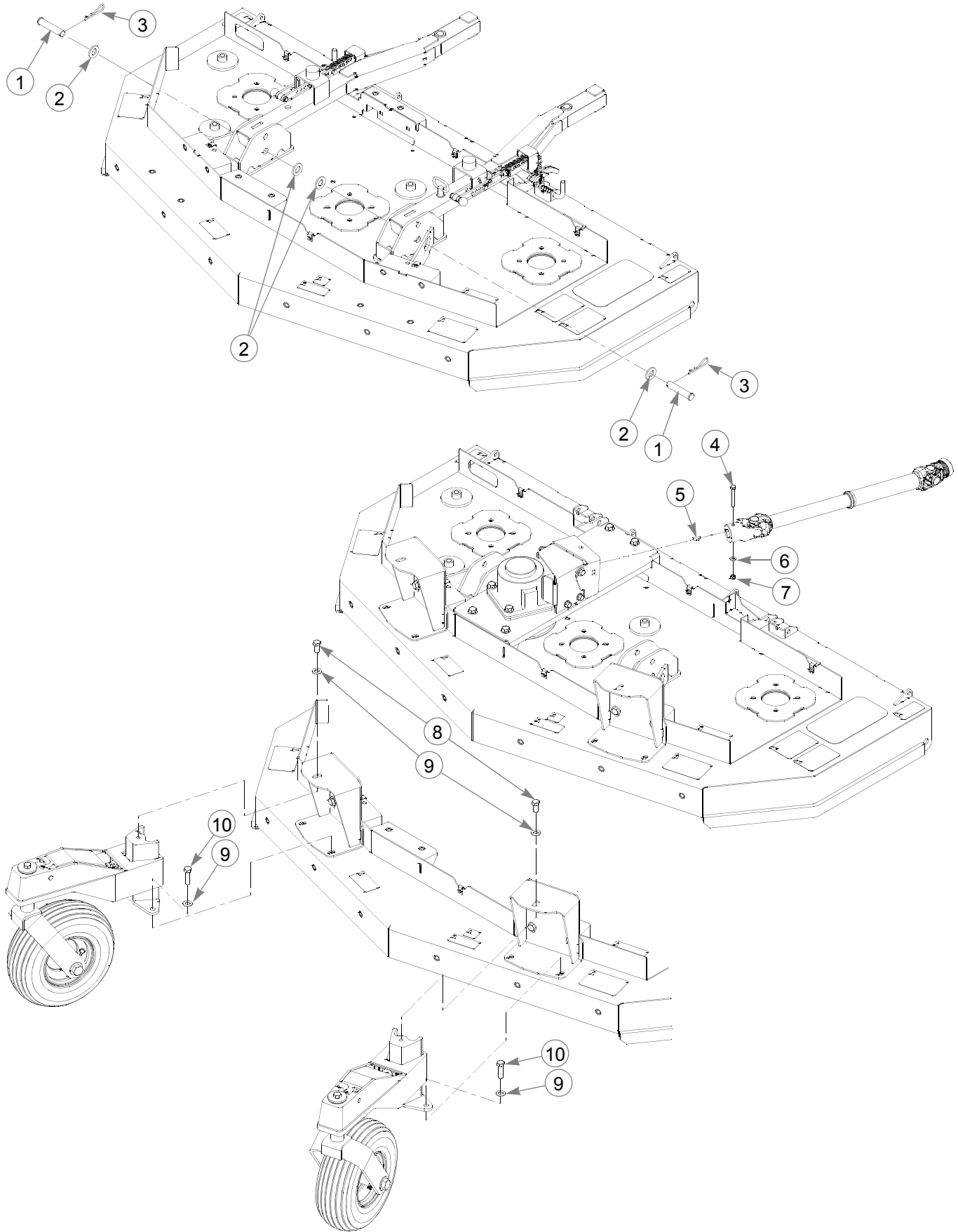


72" Rear Discharge Leading Edge & Deflectors

INDEX NO.	PART NO.	QTY.	DESCRIPTION
22	111339	1	FLEX TRIM
23	550052	1	LEADING SUPPORT MEMBER (WITH DECAL)
24	705954	6	CS .500-13 X 1.25 HX G5 Z
25	767962	6	FW .531 X 1.063 X .090 SAE
26	601536	1	ANTI-SCALP ROLLER
27	109616	1	SCALP ROLLER AXLE
28	601649	1	HUSTLER ID DECAL
29	016154	1	CS .250-20 X 1.000 HXFLK
30	768515	2	FW .281 X .625 X .051/.080H
31	068551	1	NT .250-20 HXZY NL
32	108089	2	INNER BAFFLE 72" RD
33	055822	4	CS .375-16 X .750 HX G5
34	767954	4	FW .406 X .812 X .060 SAE

NOTES:

72" Rear Discharge Transport



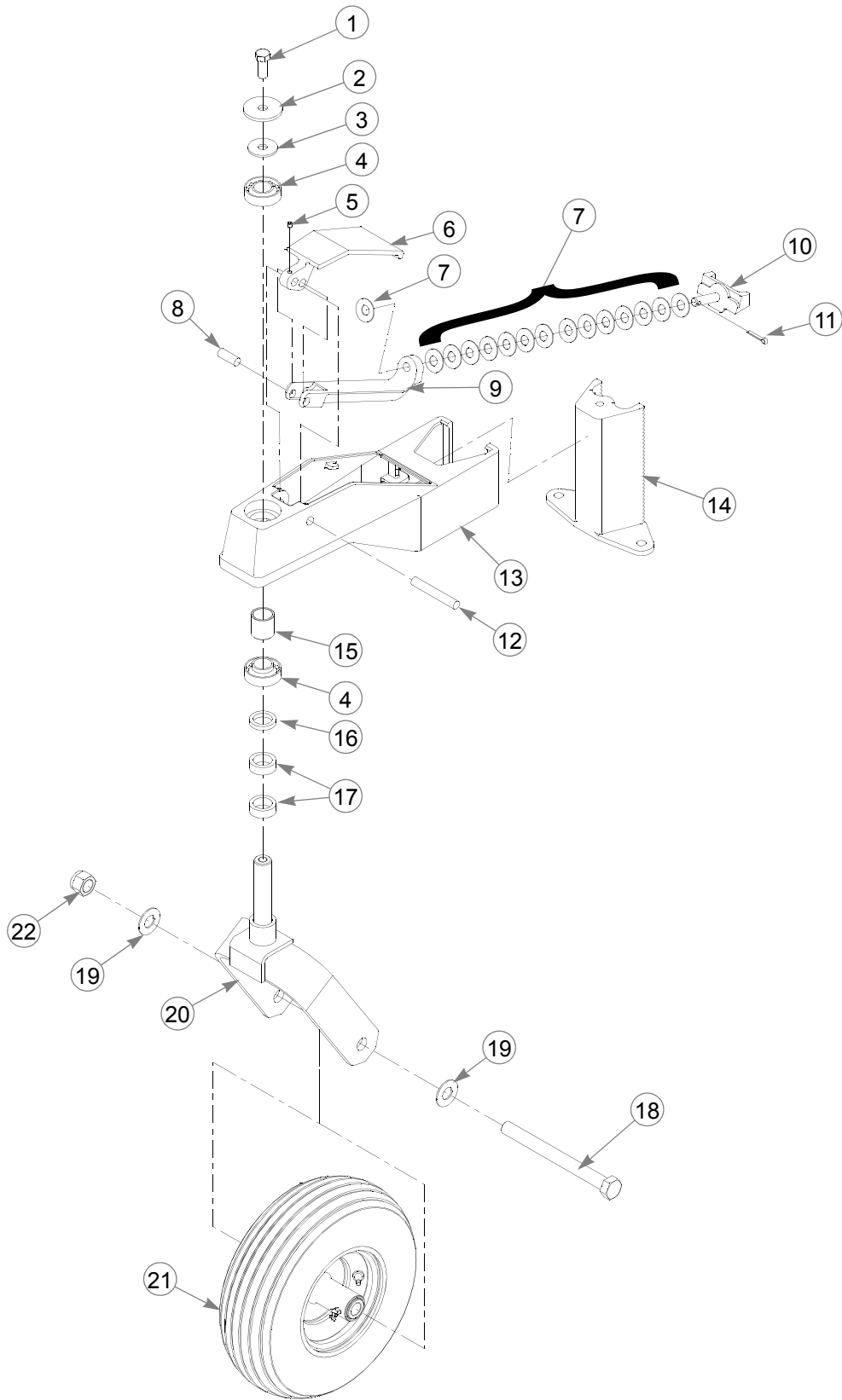
72" Rear Discharge Transport

INDEX NO.	PART NO.	QTY.	DESCRIPTION
1	063578	2	CE .750 X 3.50 .150 X 3.32
2	084749	4	FW .750 X 1.500 X .156 SPL
3	023036	2	HP .148 X 2.690 ZN
4	710087	1	CS .312-18 X 2.500 HX G5
5	036715	1	WOODRUFF 1/4 X 7/8 SAE
6	768523	1	FW .343 X .687 X .051/.080H
7	058776	1	NT .312-18 HXZY NL
8	016527	2	CS .500-13 X 1.00 HX G5 Z
9	767962	6	FW .531 X 1.063 X .090 SAE
10	017616	4	CS .500-13 X 1.750 HX G5
11	601512	1	DRIVE SHAFT

NOTES:

1. The front right idler pulley must be removed to gain access to assemble the right side carrier arm to the deck. Reinstall pulley.

Gauge Arm Breakdown

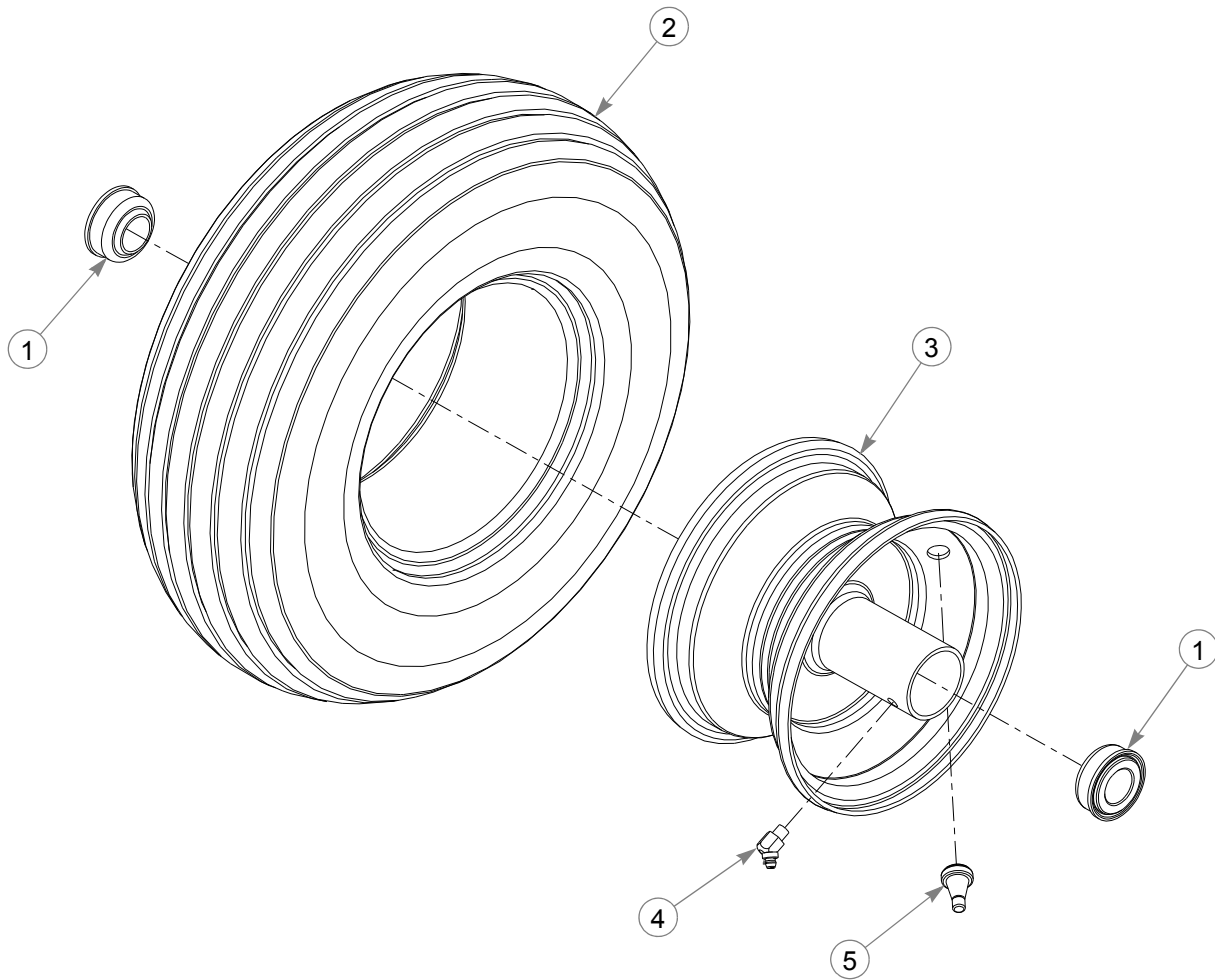


Gauge Arm Breakdown

INDEX NO.	PART NO.	QTY.	DESCRIPTION
1	705954	1	CS .500-13 X 1.25 HX G5 Z
2	344267	1	FW .510 X 2.15 X .187 SPL
3	798603	1	FW .515 X 1.65 X .125 HD ZY
4	784223	2	BEARING
5	017350	1	SS .250-20 X .250 SH BO
6	466698	1	HANDLE GAUGE WHEEL ARM
7	068759	15	CW .560 X 1.340 X .05 PN
8	315234	1	LINKAGE PIN
9	466680	1	LOCK LINKAGE
10	466672	1	LOCK PIN GAUGE WHEEL ARM
11	017277	1	CP .187D X 1.000 LG HML Z
12	315226	1	HANDLE PIN
13	532911	1	GAUGE WHEEL ARM
14	532887	1	GAUGE ARM MT
15	310185	1	SPACER 1.07 X 1.312 X 1.29
16	469924	1	GAUGE WHEEL SPACER 1/4"
17	469882	2	GAUGE WHEEL SPACER 1/2"
18	786731	1	CS .750-10 X 8.00 HX GR5
19	025296	2	FW .760 X 1.625 X .08 ZNYC
20	109478	1	FORK 13 X 5.0 TIRE
21	786061	1	WHEEL/TIRE ASSEMBLY 13 X 5.00
22	061101	1	NT .750-10 HXZY NL

NOTES:

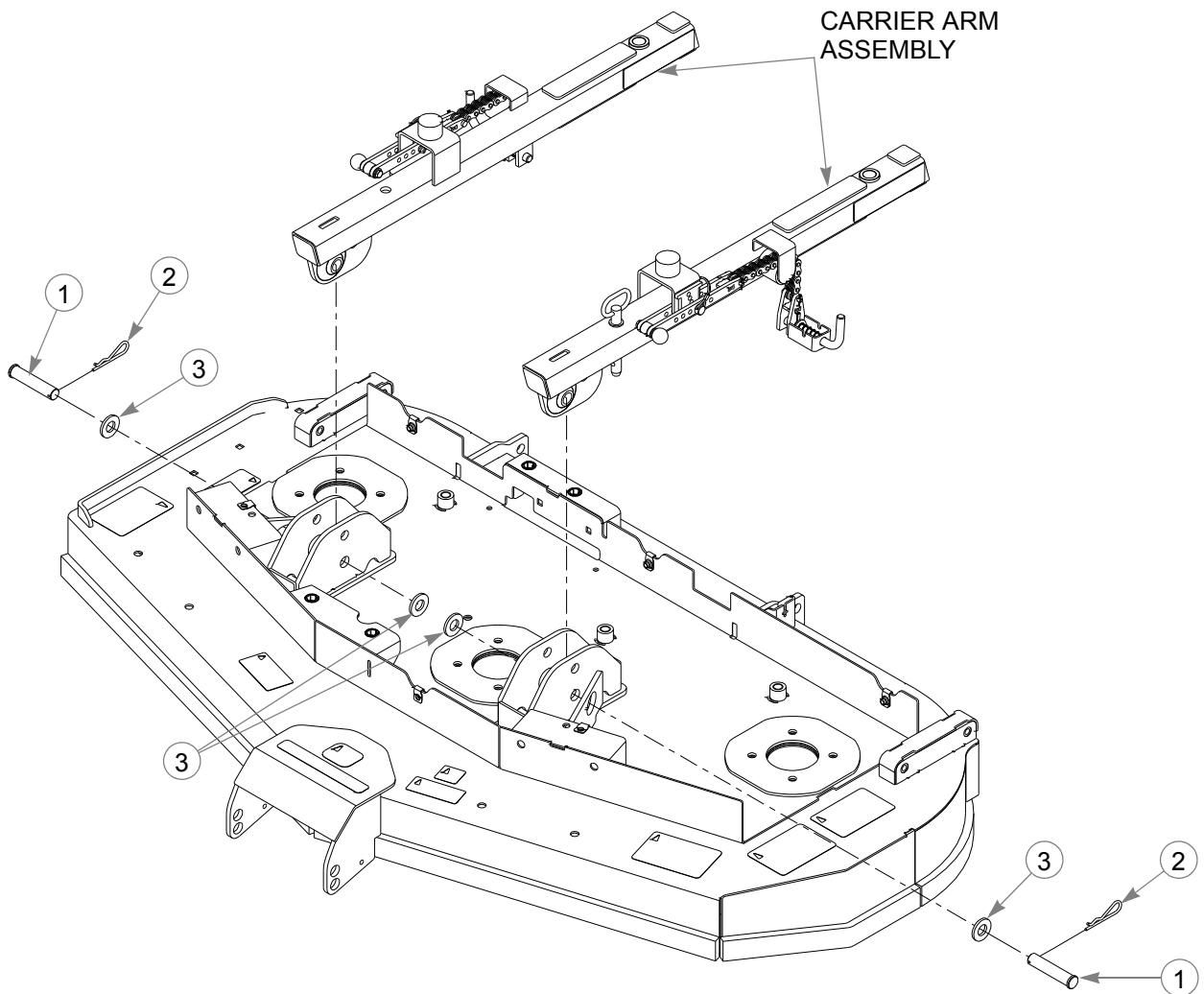
Front Wheel Breakdown



INDEX NO.	PART NO.	QTY.	DESCRIPTION
1	786103	1	WHEEL BEARING
2	747402	1	TIRE 13 X 5.0
3	786079	1	WHEEL
4	015511	1	GREASE FITTING 45 DEG 1/4
5	019521	1	TIRE VALVE

NOTES:

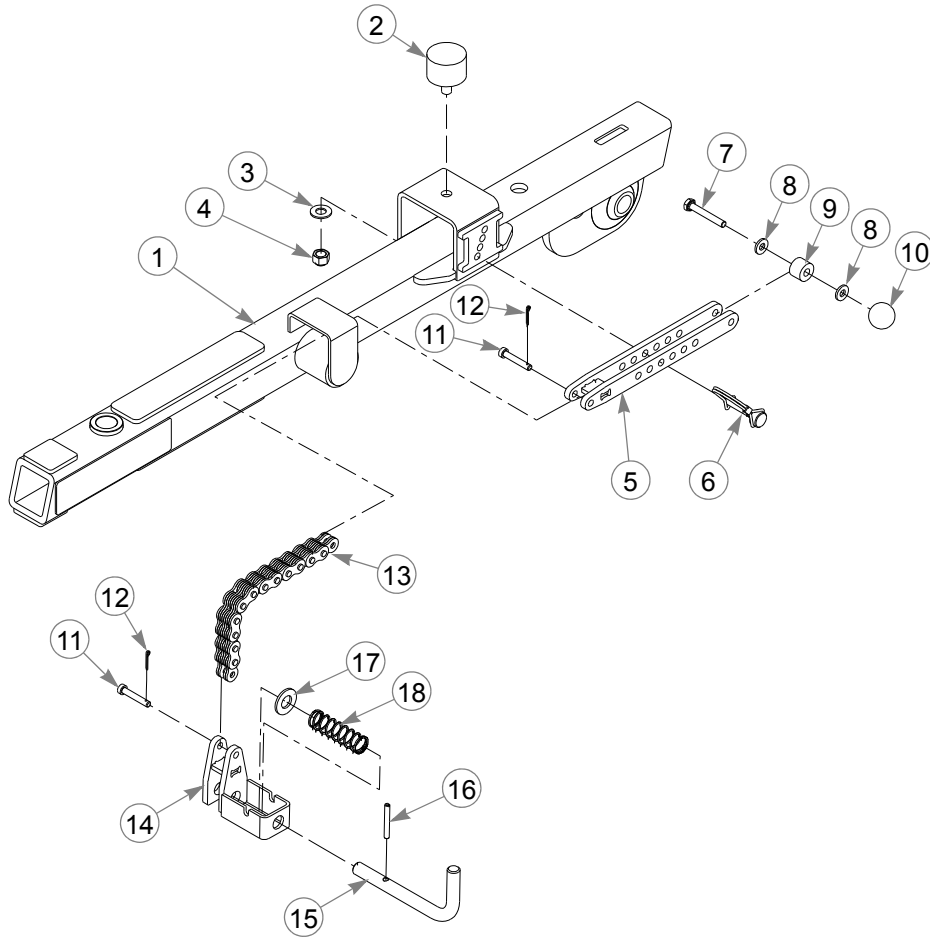
60" Side Discharge Transport



INDEX NO.	PART NO.	QTY.	DESCRIPTION
1	063578	2	CE .750 X 3.50 .150 X 3.32
2	023036	2	HP .148 X 2.690 ZN
3	084749	4	FW .750 X 1.500 X .156 SPL

NOTES:

60" Right Side Lift Arm Breakdown

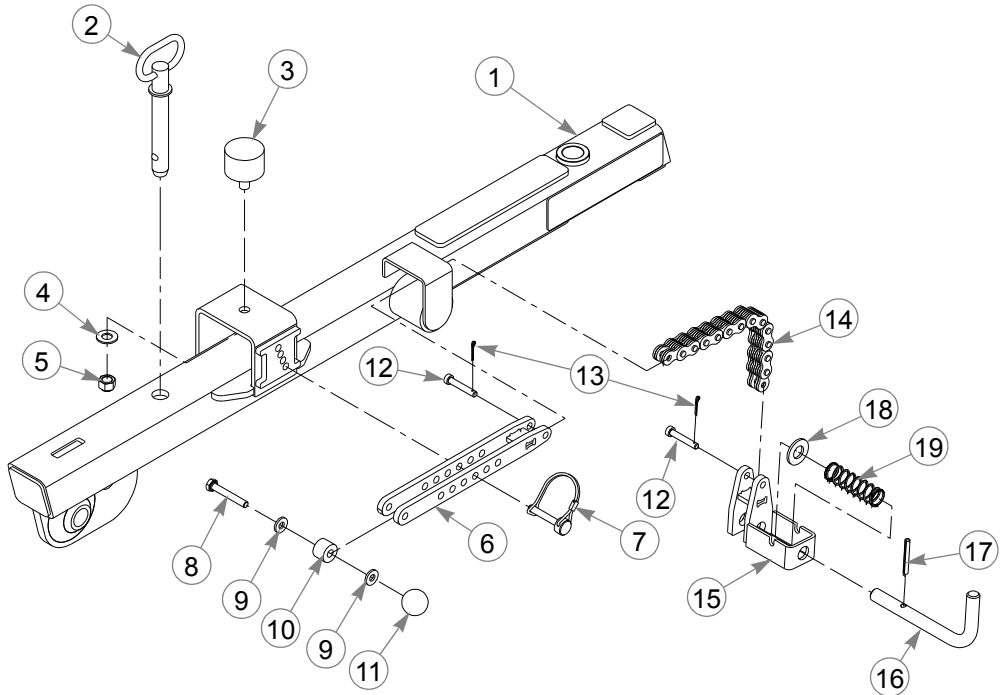


60" Right Side Lift Arm Breakdown

INDEX NO.	PART NO.	QTY.	DESCRIPTION
1	109410	1	RIGHT SIDE LIFT ARM
2	601650	1	VIBRATION MOUNT
3	767954	1	FW .406 X .812 X .060 SAE
4	086660	1	NT .375-16 HXZY NL
5	110695	1	YOKE
6	601689	1	CE .250 X 1-15/16 W/BALE
7	705145	1	CS .250-20 X 1.750 HX G5
8	768515	2	FW .281 X .625 X .051/.080H
9	110186	1	BUSHING SPACER ADJUST
10	056333	1	1.00 ROUND KNOB .250-20
11	601770	2	CONNECTING PIN W/ HEAD
12	017228	2	CP .062D X .500 LG HML Z
13	601762	1	LEAF CHAIN 4X4 5/8 PITC
14	110690	1	HANGER RELEASE BRACKET
15	601578	1	RELEASE PIN
16	601579	1	SPRING (ROLL) PIN
17	767962	1	FW .531 X 1.063 X .090 SAE
18	601580	1	COMPRESSION SPRING

NOTES:

60" Left Side Lift Arm Breakdown

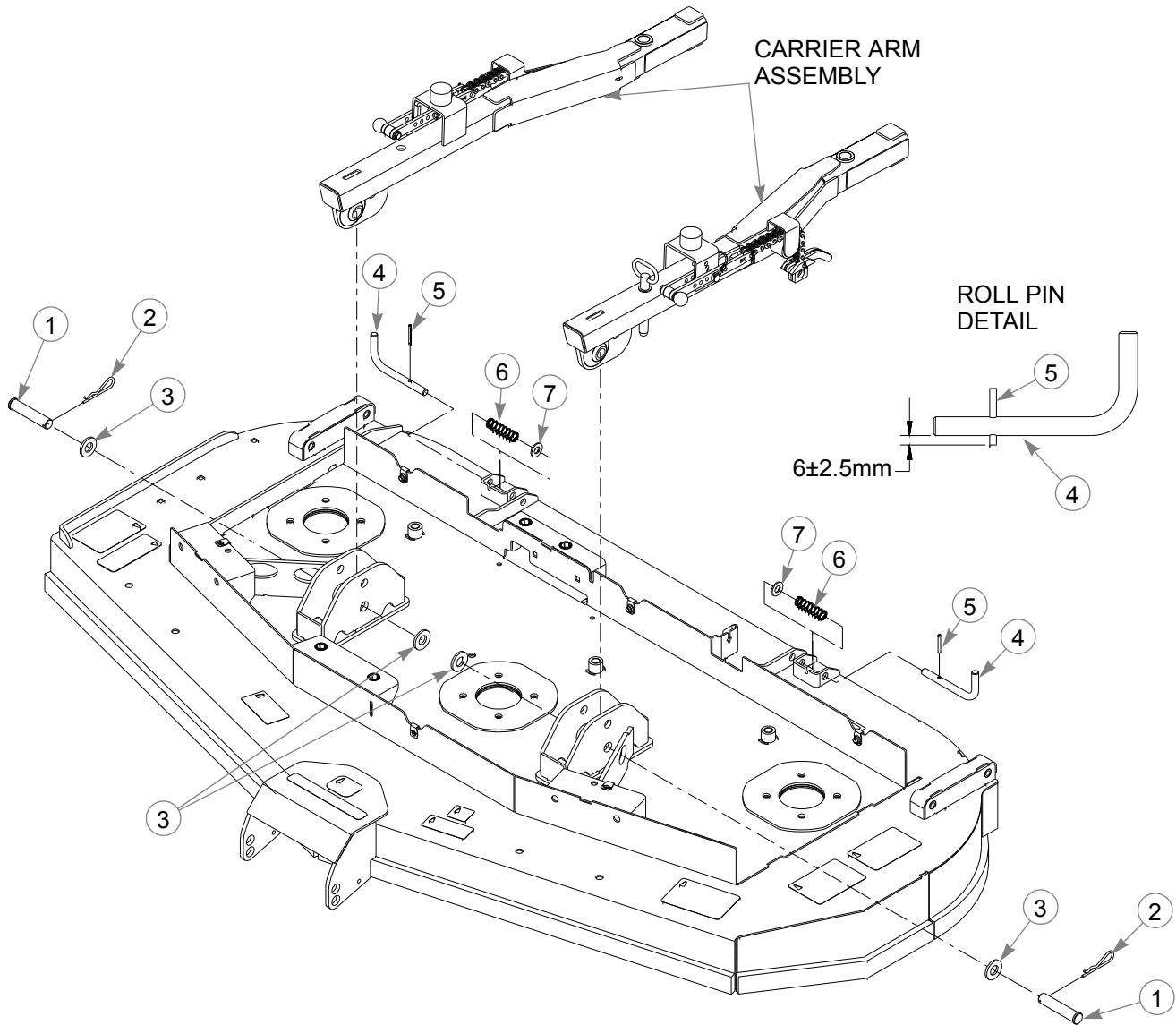


60" Left Side Lift Arm Breakdown

INDEX NO.	PART NO.	QTY.	DESCRIPTION
1	109576	1	LEFT SIDE LIFT ARM
2	766428	1	COTTERLESS HITCH PIN
3	601650	1	VIBRATION MOUNT
4	767954	1	FW .406 X .812 X .060 SAE
5	086660	1	NT .375-16 HXZY NL
6	110695	1	YOKE
7	601689	1	CE .250 X 1-15/16 W/ BALE
8	705145	1	CS .250-20 X 1.750 HX G5
9	768515	2	FW .281 X .625 X .051/.080H
10	110186	1	BUSHING SPACER ADJUST
11	056333	1	1.00 ROUND KNOB .250-20
12	601770	2	CONNECTING PIN W/ HEAD
13	017228	2	CP .062D X .500 LG HML Z
14	601762	1	LEAF CHAIN 4X4 5/8 PITC
15	110690	1	HANGER RELEASE BRACKET
16	601578	1	RELEASE PIN
17	601579	1	SPRING (ROLL) PIN
18	767962	1	FW .531 X 1.063 X .090 SAE
19	601580	1	COMPRESSION SPRING

NOTES:

72" Side Discharge Transport



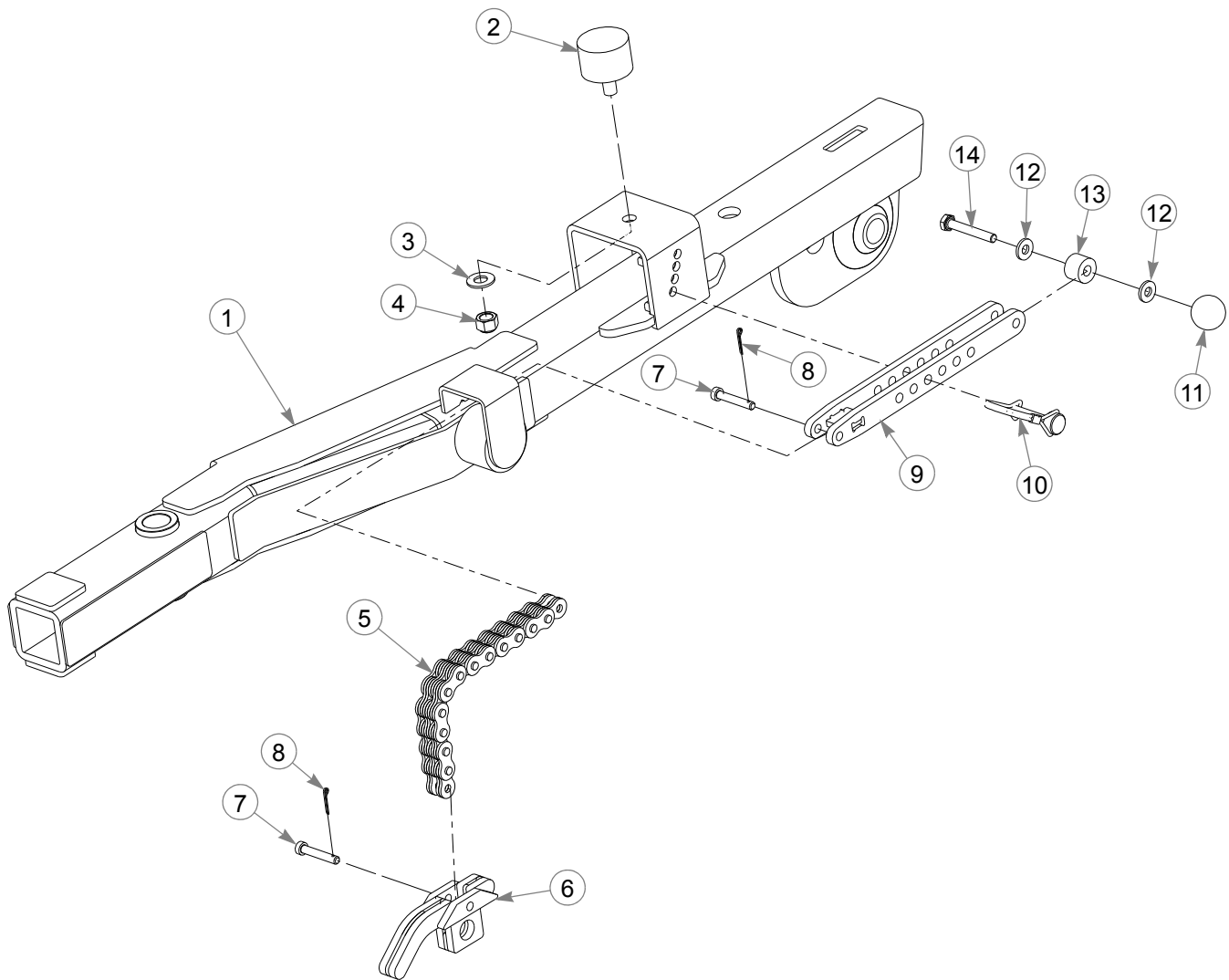
INDEX NO.	PART NO.	QTY.	DESCRIPTION
1	063578	2	CE .750 X 3.50 .150 X 3.32
2	023036	2	HP .148 X 2.690 ZN
3	084749	4	FW .750 X 1.500 X .156 SPL
4	601578	2	RELEASE PIN
5	601579	2	SPRING ROLL PIN
6	601580	2	COMPRESSION SPRING
7	767962	2	FW .531 X 1.063 X .090 SAE

NOTES:

1. Insert Roll Pin so that $6\pm 2.5\text{mm}$ protrudes through Release Pin, as shown in the Roll Pin Detail.

This page intentionally left blank.

72" Right Side Lift Arm Breakdown

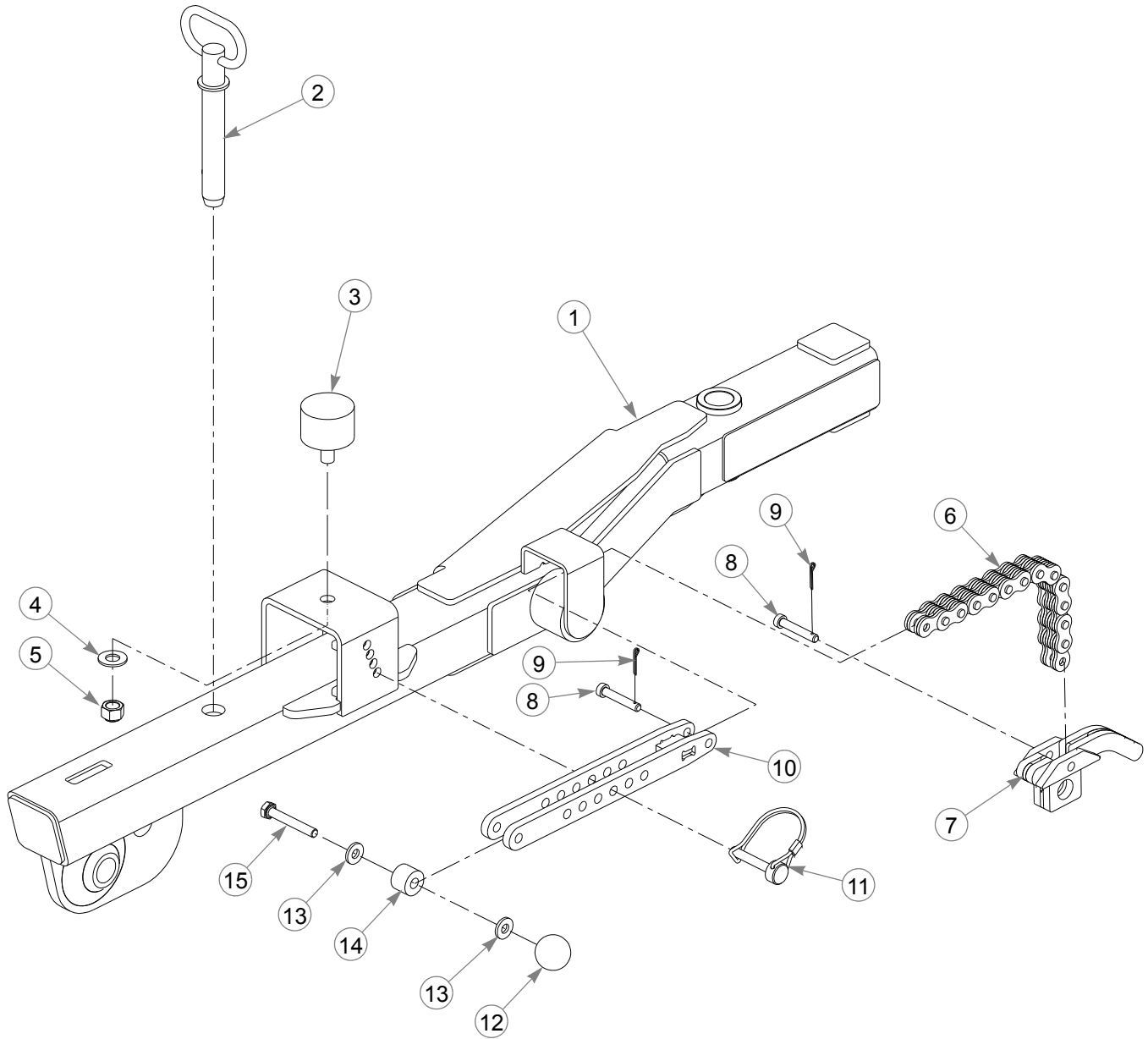


72" Right Side Lift Arm Breakdown

INDEX NO.	PART NO.	QTY.	DESCRIPTION
1	109951	1	RIGHT SIDE LIFT ARM
2	601650	1	VIBRATION MOUNT
3	767954	1	FW .406 X .812 X .060 SAE
4	086660	1	NT .375-16 HXZY NL
5	601762	1	LEAF CHAIN 4X4 5/8 PITC
6	110478	1	CHAIN LUG
7	601770	2	CONNECTING PIN W/ HEAD
8	017228	2	CP .062D X .500 LG HML Z
9	110695	1	YOKE
10	601689	1	CE .250 X 1-15/16 W/ BALE
11	056333	1	KNOB 1.00 ROUND
12	768515	2	FW .281 X .625 X .051/.080H
13	110186	1	SPACER ADJUST BUSHING
14	705145	1	CS .250-20 X 1.750 HX G5

NOTES:

72" Left Side Lift Arm Breakdown



72" Left Side Lift Arm Breakdown

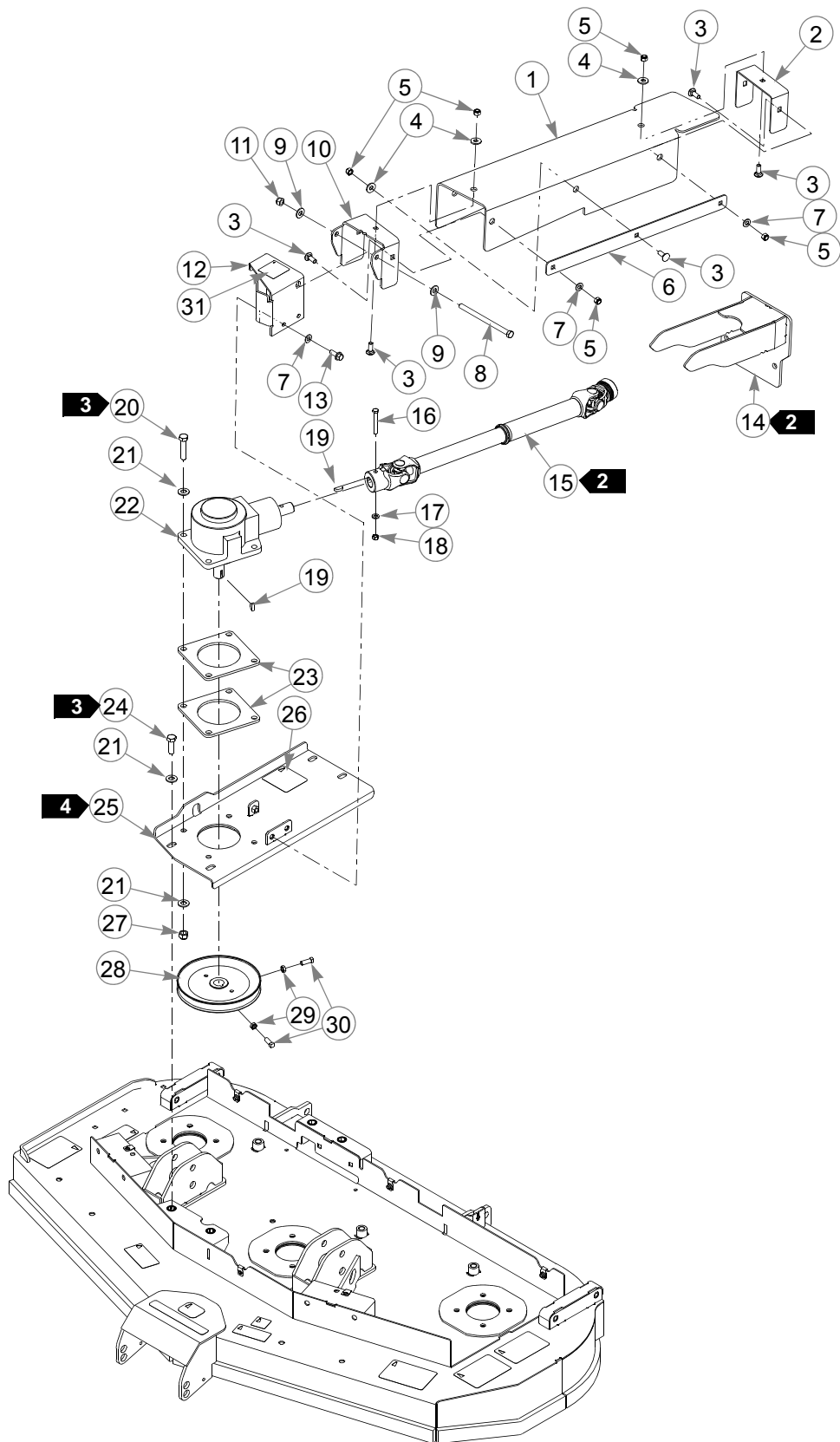
INDEX NO.	PART NO.	QTY.	DESCRIPTION
1	109952	1	LEFT SIDE LIFT ARM
2	766428	1	COTTERLESS HITCH PIN
3	601650	1	VIBRATION MOUNT
4	767954	1	FW .406 X .812 X .060 SAE
5	086660	1	NT .375-16 HXZY NL
6	601762	1	LEAF CHAIN 4X4 5/8 PITC
7	110478	1	CHAIN LUG
8	601770	2	CONNECTING PIN W/ HEAD
9	017228	2	CP .062D X .500 LG HML Z
10	110695	1	YOKE
11	601689	1	CE .250 X 1-15/16 W/ BALE
12	056333	1	KNOB 1.00 ROUND
13	768515	2	FW .281 X .625 X .051/.080H
14	110186	1	SPACER ADJUST BUSHING
15	705145	1	CS .250-20 X 1.750 HX G5

NOTES:

Section 4

60" Side Discharge Gearbox	4-2
72" Side Discharge Gearbox	4-4
72" Rear Discharge Gearbox.	4-6
72" Rear Discharge Miscellaneous	4-8
60" Side Discharge Spindles & Pulleys	4-10
60" Side Discharge Baffles	4-12
72" Side Discharge Spindles & Pulleys	4-14
72" Side Discharge Baffles	4-16
72" Rear Discharge Spindles & Pulleys.	4-18
Gearbox Breakdown—601641	4-20
Gearbox Breakdown—601712	4-22

60" Side Discharge Gearbox

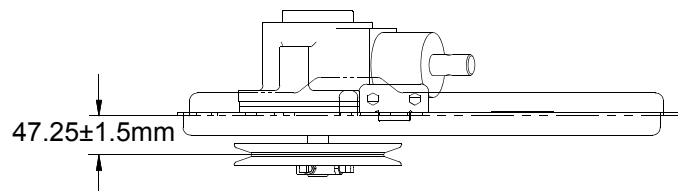


60" Side Discharge Gearbox

INDEX NO.	PART NO.	QTY.	DESCRIPTION
1	602229	1	PTO RUBBER SHIELD
2	111658	1	INNER RUBBER SUPPORT
3	025395	8	CB .375-16 X 1.00 STD CD
4	712919	4	FW 0.406 X 1.00 X 0.120 HD
5	086660	8	NT .375-16 HXZY NL
6	111659	2	RUBBER SUPPORT STRAP
7	767954	7	FW .406 X .812 X .060 SAE
8	794552	1	CS .438-14 X 6.5 HX ZN G
9	728147	2	FW .468 X 1.00 X .090 HT T
10	111833	1	PIVOT SUPPORT BRACKET
11	777441	1	NT .437-14 FLEXLOC
12	550519	1	ANCHOR BRACKET SHIELD (WITH DECAL)
13	029751	3	CS .375-16 X 1.000 HXFLK
14	111830	1	GUIDE BAR 60" O-F
15	601512	1	DRIVE SHAFT
16	710087	1	CS .312-18 X 2.500 HX G5
17	768523	1	FW .343 X .687 X .051/.080H
18	058776	1	NT .312-18 HXZY NL
19	036715	2	WOODRUFF 1/4 X 7/8 SAE A
20	761544	4	CS .500-13 X 2.250 G8 ZNY
21	767962	12	FW .531 X 1.063 X .090 SAE
22	601641	1	GEARBOX ISM CW I CCW O
23	109562	2	GEARBOX SPACER
24	074252	4	CS .500-13 X 1.500 HX G5
25	550136	1	GEARBOX 60" SD O-F (WITH DECAL)
26	601623	1	PTO DECAL
27	781567	4	NT .500-13 HX G8 ZY NL
28	467324	1	PULLEY
29	706168	2	NT .375-16 HX JAM GR5 Z
30	042051	2	SS .375-16 X 1.00 SQ-HD
31	602562	1	NO SERVICE DECAL

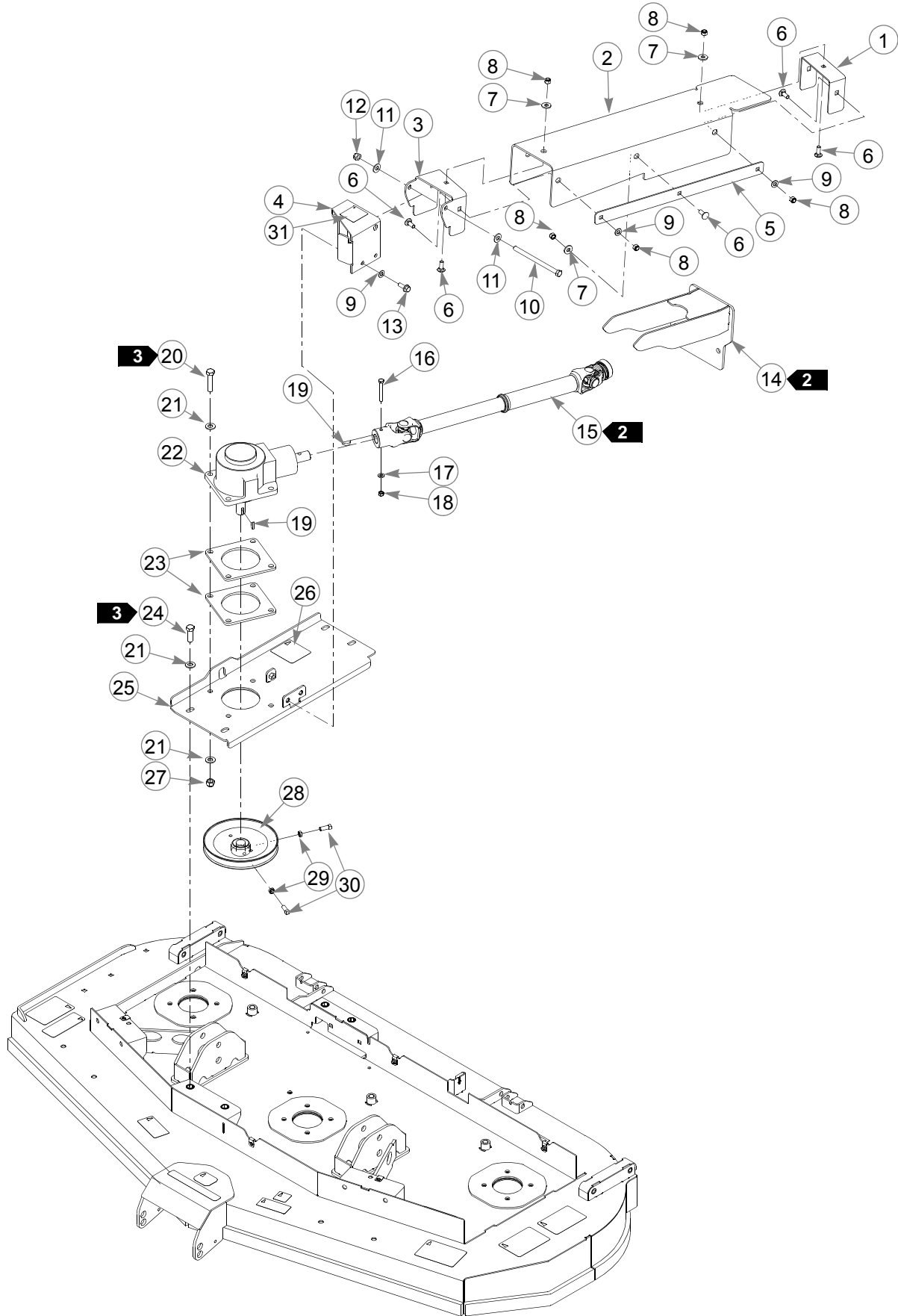
NOTES:

1. The center line of Drive Pulley must be positioned 47.25 ± 1.5 mm below the bottom surface of Gearbox Mount.



2. Mounts to mower frame and tractor drive shaft.
3. Torque to 91–101 N-m.
4. For models with serial numbers prior to 10040001—when replacing the gearbox mount, replace 761544 (CS .500-13X2.250 G8 ZNY), quantity (4). Models with serial numbers prior to 10070001 require (3) 3/8-16 rivet nuts (part number 600994).

72" Side Discharge Gearbox

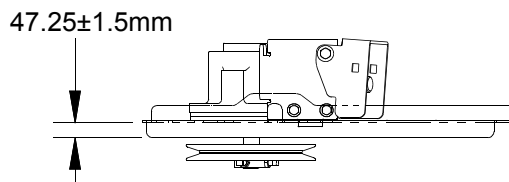


72" Side Discharge Gearbox

INDEX NO.	PART NO.	QTY.	DESCRIPTION
1	111658	1	INNER RUBBER SUPPORT
2	602229	1	PTO RUBBER SHIELD
3	111761	1	PIVOT SUPPORT BRACKET
4	550519	1	ANCHOR BRACKET SHIELD (WITH DECAL)
5	111659	2	RUBBER SUPPORT STRAP
6	025395	8	CB .375-16 X 1.00 STD CD
7	712919	4	FW 0.406 X 1.00 X 0.120 HD
8	086660	8	NT .375-16 HXZY NL
9	767954	7	FW .406 X .812 X .060 SAE
10	794552	1	CS .438-14 X 6.5 HX ZN G
11	728147	2	FW .468 X 1.00 X .090 HT T
12	777441	1	NT .437-14 FLEXLOC
13	029751	3	CS .375-16 X 1.000 HXFLK
14	111758	1	GUIDE BAR
15	601512	1	DRIVE SHAFT
16	710087	1	CS .312-18 X 2.500 HX G5
17	768523	1	FW .343 X .687 X .051/.080H
18	058776	1	NT .312-18 HXZY NL
19	036715	2	WOODRUFF 1/4 X 7/8 SAE A
20	761544	4	CS .500-13 X 2.250 G8 ZNY
21	767962	12	FW .531 X 1.063 X .090 SAE
22	601641	1	GEARBOX CW I, CCW O
23	109562	2	GEARBOX SPACER
24	074252	4	CS .500-13 X 1.500 HX G5
25	550239	1	GEARBOX MOUNT (WITH DECAL)
26	601623	1	PTO DECAL
27	781567	4	NT .500-13 HX G8 ZY NL
28	467324	1	PULLEY
29	706168	2	NT .375-16 HX JAM GR5 Z
30	042051	2	SS .375-16 X 1.00 SQ-HD
31	602562	1	NO SERVICE DECAL

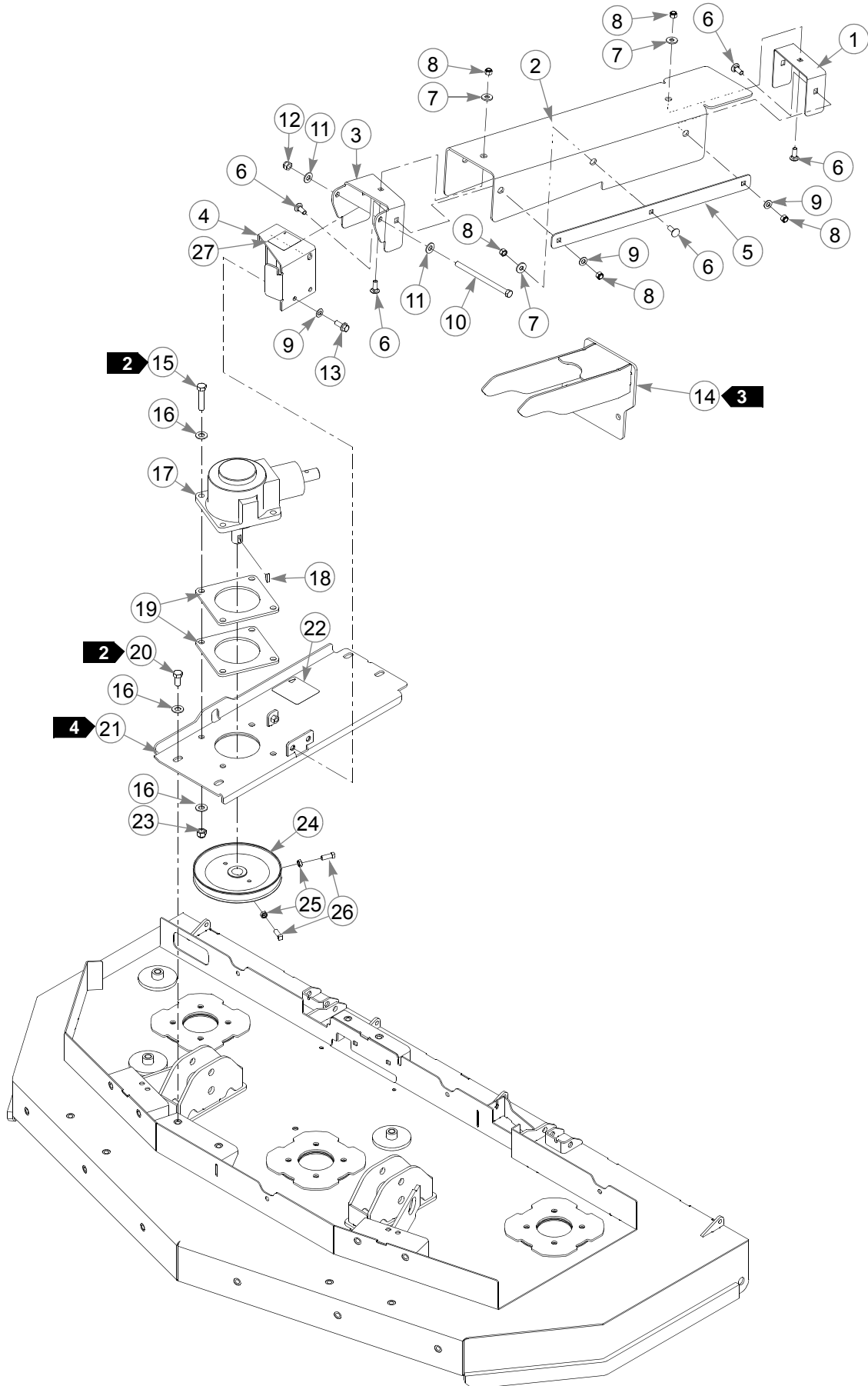
NOTES:

1. The center line of Drive Pulley must be positioned 47.25 ± 1.5 mm below the bottom surface of Gearbox Mount.



2. Mounts to mower.
3. Torque to 91–101 N-m.
4. For models with serial numbers prior to 10040001—when replacing the gearbox mount, replace 761544 (CS .500-13 X 2.250 G8 ZNY), quantity (4). Models with serial numbers prior 10070001 use quantity (3) of 3/8-16 rivet nuts (part number 600994).

72" Rear Discharge Gearbox

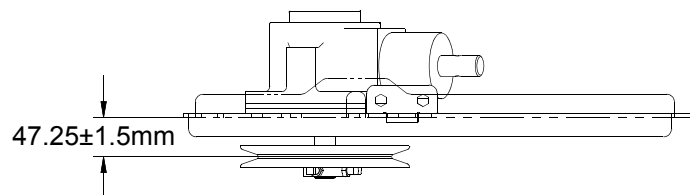


72" Rear Discharge Gearbox

INDEX NO.	PART NO.	QTY.	DESCRIPTION
1	111658	1	INNER RUBBER SUPPORT
2	602229	1	PTO RUBBER SHIELD
3	111761	1	PIVOT SUPPORT BRACKET
4	550519	1	ANCHOR BRACKET SHIELD (WITH DECAL)
5	111659	2	RUBBER SUPPORT STRAP
6	025395	8	CB .375-16 X 1.00 STD CD
7	712919	4	FW 0.406 X 1.00 X 0.120 HD
8	086660	8	NT .375-16 HXZY NL
9	767954	7	FW .406 X .812 X .060 SAE
10	794552	1	CS .438-14 X 6.5 HX ZN G
11	728147	2	FW .468 X 1.00 X .090 HT T
12	777441	1	NT .437-14 FLEXLOC
13	029751	3	CS .375-16 X 1.000 HXFLK
14	111758	1	GUIDE BAR
15	761544	4	CS .500-13 X 2.250 G8 ZNY
16	767962	12	FW .531 X 1.063 X .090 SAE
17	601641	1	GEARBOX CW I, CCW O
18	036715	1	WOODRUFF 1/4 X 7/8 SAE A
19	109562	2	GEARBOX SPACER
20	016527	4	CS .500-13 X 1.00 HX G5 Z
21	550051	1	GEARBOX MOUNT (WITH DECAL)
22	601623	1	PTO DECAL
23	781567	4	NT .500-13 HX G8 ZY NL
24	467324	1	PULLEY
25	706168	2	NT .375-16 HX JAM GR5 Z
26	042051	2	SS .375-16 X 1.00 SQ-HD
27	602562	1	NO SERVICE DECAL

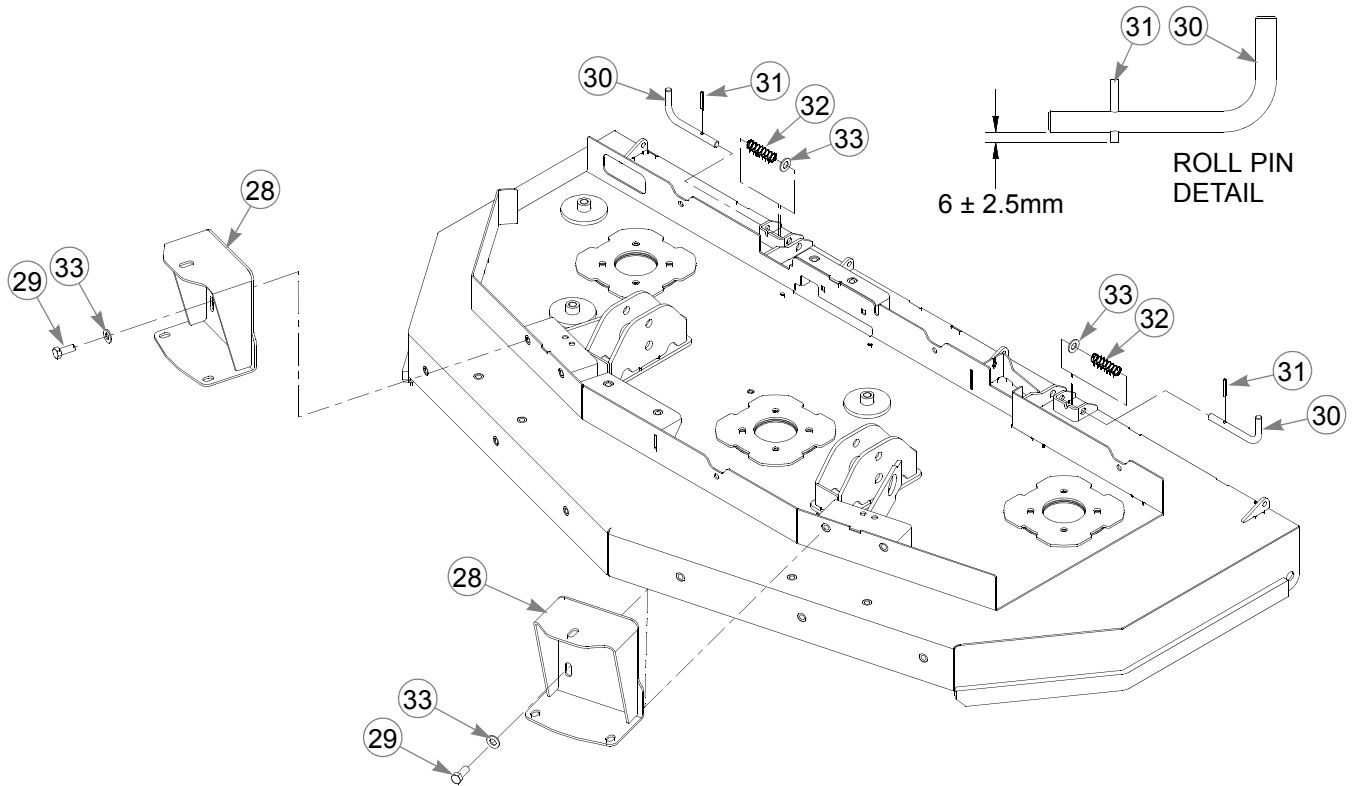
NOTES:

1. The center line of Drive Pulley must be positioned 47.25 ± 1.5 mm below the bottom surface of Gearbox Mount.



2. Torque to 91–101 N-m.
3. Mounts to mower frame.
4. For models with serial numbers prior to 10040001—when replacing the gearbox mount, also replace 761544 (CS .500-13 X1.750 HX G5), quantity (4).

72" Rear Discharge Miscellaneous



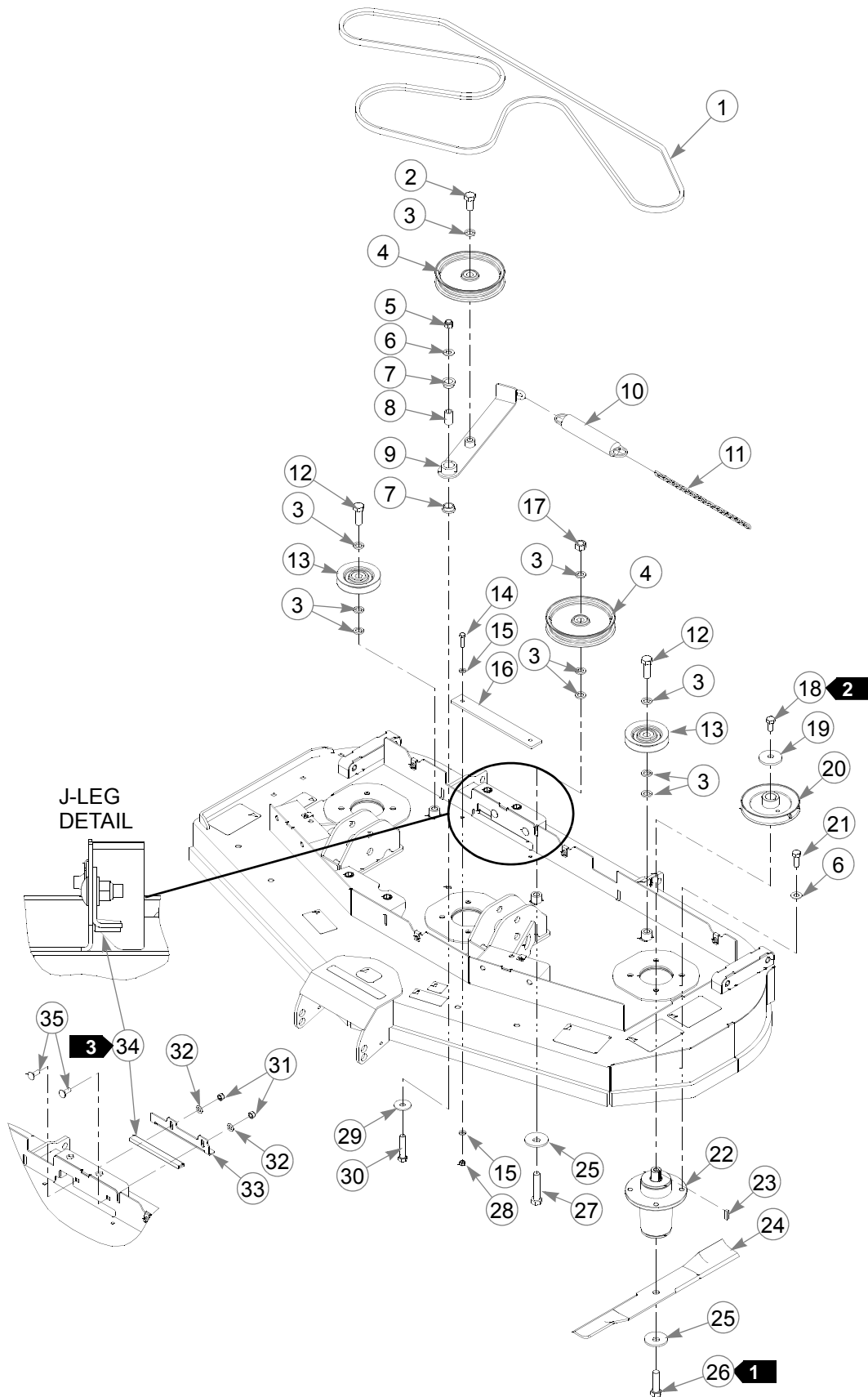
INDEX NO.	PART NO.	QTY.	DESCRIPTION
28	109591	2	GAUGE ARM MOUNT
29	705954	4	CS .500-13 X 1.25 HX G5 Z
30	601578	2	RELEASE PIN
31	601579	2	SPRING (ROLL) PIN
32	601580	2	COMPRESSION SPRING
33	767962	6	FW .531 X 1.063 X .090 SAE

NOTES:

5. Insert Roll Pin so that $6 \pm 2.5\text{mm}$ protudes through Release Pin, as shown in the Roll Pin Detail.

This page intentionally left blank.

60" Side Discharge Spindles & Pulleys



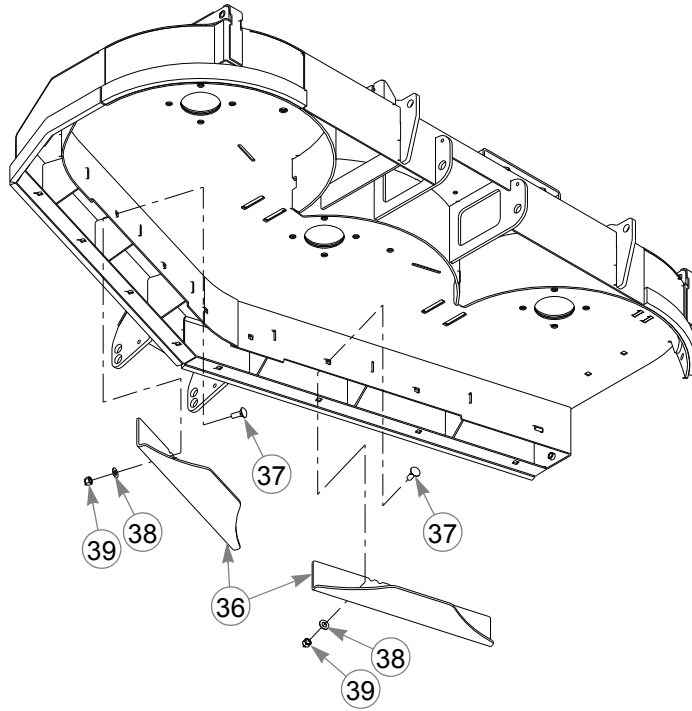
60" Side Discharge Spindles & Pulleys

INDEX NO.	PART NO.	QTY.	DESCRIPTION
1	791988	1	BELT B 140.77" EL
2	781872	1	CS .625-11 X 1.25 HX G5 Z
3	028118	10	FW .625 X 1.00 X .134 ZNYC
4	781385	2	IDLER PULLEY NHI 6.00"
5	781567	1	NT .500-13 HX G8 ZY NL
6	767962	13	FW .531 X 1.063 X .090 SAE
7	770867	2	PLASTIC BUSHING .750 X 1
8	109549	1	IDLER PIVOT BUSHING
9	109539	1	IDLER ARM
10	781302	1	IDLER SPRING
11	373191	1	SIDE MOUNT CHAIN
12	025007	2	CS .625-11 X 1.750 HX G5
13	788364	2	IDLER PULLEY NHI 4.288"
14	079186	2	CS .312-18 X 1.250 HX G5
15	768523	4	FW .343 X .687 X .051/.080H
16	601537	1	UHMW WEARPLATE
17	016972	1	NT .625-11 HX G5 ZNYC
18	016527	3	CS .500-13 X 1.00 HX G5 Z
19	752386	3	CW .515 X 2.25 X .204 BLK
20	798967	3	PULLEY B-SEC 5.44 EOD
21	705954	12	CS .500-13 X 1.25 HX G5 Z
22	601630	3	SPINDLE ASSY 3" PILOT
4	796235	3	SPINDLE HOUSING ASSEMBLY
23	212472	3	KEY 1/4 SQ X 1.00 LG(FS)
24	794685	3	BLADE F20.50"-H-F-CW
	793794	3	BLADE, 20.50"-L-F-CW
	794214	3	BLADE, 20.50"-MUL-F-CW
	794230	3	BLADE, 20.50"-GAT-F-CW
25	782474	4	CW .631 2.250 X .187 PNT
26	601983	3	CS .625-11 X 2.25 HXG5ZY
4	029934	3	CS .625-11 X 3.000 HX G5
27	783738	1	CS .625-11 X 3.00 FULL HX
28	058776	2	NT .312-18 HXZY NL
29	798603	1	FW .515 X 1.65 X .125 HD ZY
30	008573	1	CS .500-13 X 2.500 HX G5
31	086660	2	NT .375-16 HXZY NL
32	767954	2	FW .406 X .812 X .060 SAE
33	110761	1	J-LEG HOLDER
34	601781	1	UHMW J-LEG .75 WIDE
35	025395	2	CB .375-16 X 1.00 STD CD

NOTES:

1. Torque to 160 N-m.
2. Torque to 90.8-101.7 N-m.
3. Assemble UHMW J-Leg with the tapered side on top.
4. Used on decks with serial numbers prior to 08110000.

60" Side Discharge Baffles

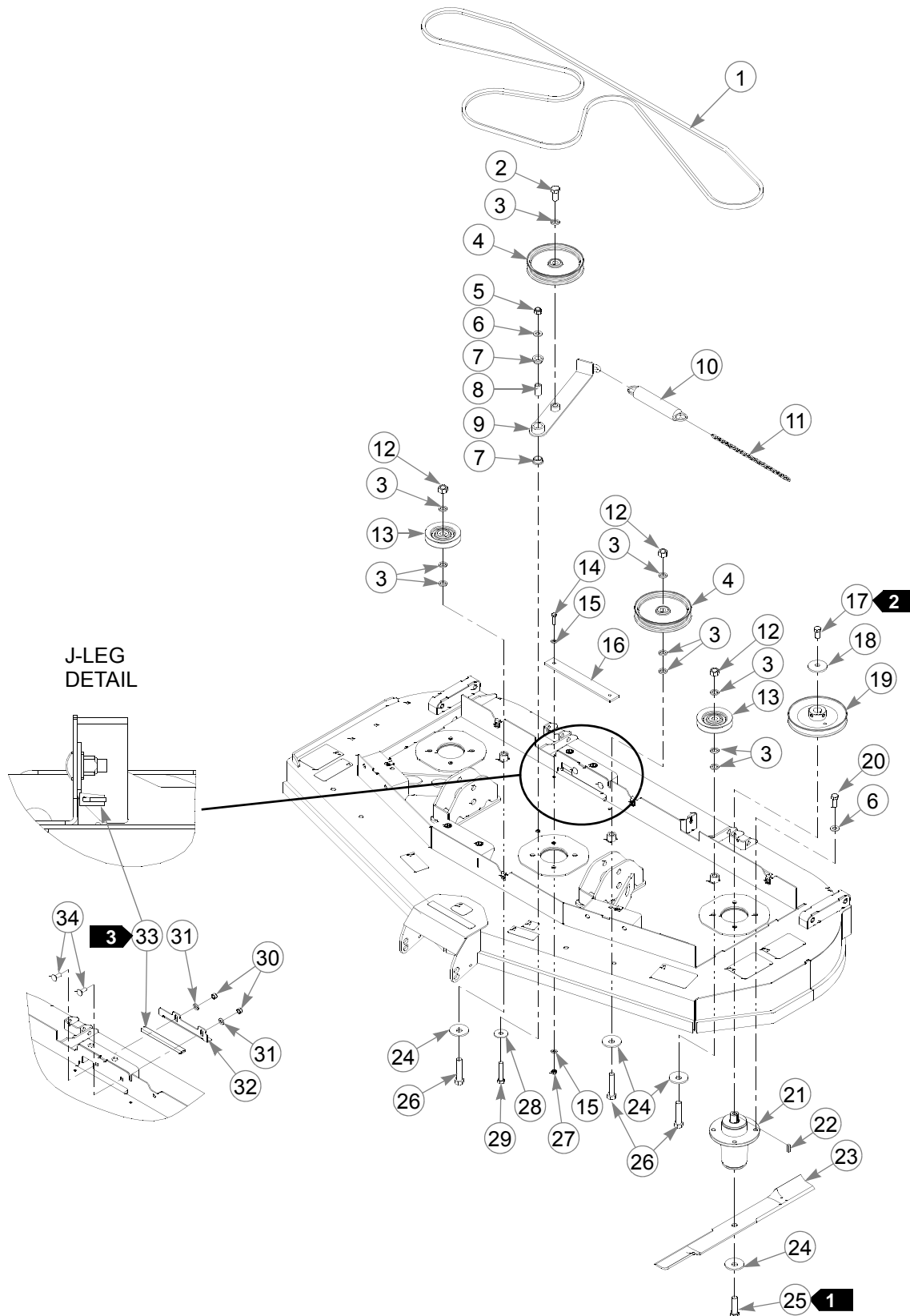


INDEX NO.	PART NO.	QTY.	DESCRIPTION
36	108516	2	BAFFLE, "A", 60"
37	025395	4	CB .375-16 X 1.00 STD CD
38	767954	4	FW .406 X .812 X .060 SAE
39	086660	4	NT .375-16 HXZY NL

NOTES:

This page intentionally left blank.

72" Side Discharge Spindles & Pulleys



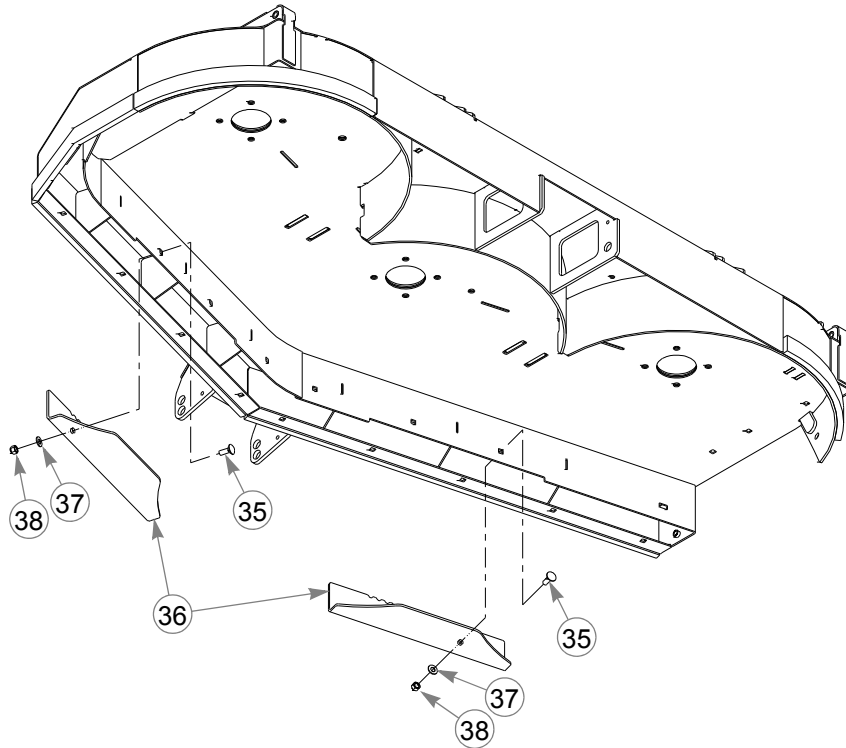
72" Side Discharge Spindles & Pulleys

INDEX NO.	PART NO.	QTY.	DESCRIPTION
1	601715	1	BELT B 162.0 EL
2	781872	1	CS .625-11 X 1.25 HX G5 Z
3	028118	10	FW .625 X 1.00 X .134 ZNYC
4	781385	2	IDLER PULLEY NHI 6.00"
5	781567	1	NT .500-13 HX G8 ZY NL
6	767962	13	FW .531 X 1.063 X .090 SAE
7	770867	2	PLASTIC BUSHING .750 X 1
8	109549	1	IDLER PIVOT BUSHING
9	109539	1	IDLER ARM
10	781302	1	IDLER SPRING
11	373191	1	SIDE MOUNT CHAIN
12	016972	3	NT .625-11 HX G5 ZNYC
13	788364	2	IDLER PULLEY NHI 4.288"
14	079186	2	CS .312-18 X 1.250 HX G5
15	768523	4	FW .343 X .687 X .051/.080H
16	601537	1	UHMW WEARPLATE
17	016527	3	CS .500-13 X 1.00 HX G5 Z
18	752386	3	CW .515 X 2.25 X .204 BLK
19	538850	3	DRIVE PULLEY
20	705954	12	CS .500-13 X 1.25 HX G5 Z
21	601630	3	SPINDLE ASSY 3" PILOT
22	212472	3	KEY 1/4 SQ X 1.00 LG(FS)
23	798702	3	BLADE F24.50"-H-F-CW
	798710	3	BLADE, 24.50"-MUL-F-CW
	798728	3	BLADE, 24.50"-GAT-F-CW
24	782474	6	CW .631 2.250 X .187 PNT
25	601983	3	CS .625-11 X 2.25 HXG5ZY
26	783738	3	CS .625-11 X 3.00 FULL HX
27	058776	2	NT .312-18 HXZY NL
28	798603	1	FW .515 X 1.65 X .125 HD ZY
29	008573	1	CS .500-13 X 2.500 HX G5
30	086660	2	NT .375-16 HXZY NL
31	767954	2	FW .406 X .812 X .060 SAE
32	110761	1	J-LEG HOLDER
33	601781	1	UHMW J-LEG .75 WIDE
34	025395	2	CB .375-16 X 1.00 STD CD

NOTES:

1. Torque to 160 N-m.
2. Torque to 90.8-101.7 N-m.
3. Assemble UHMW J-Leg with the tapered side on top.

72" Side Discharge Baffles



INDEX NO.	PART NO.	QTY.	DESCRIPTION
35	025395	4	CB .375-16 X 1.00 STD CD
36	108661	2	72" AIR FLOW BAFFLE
37	767954	4	FW .406 X .812 X .060 SAE
38	086660	4	NT .375-16 HXZY NL

NOTES:

This page intentionally left blank.

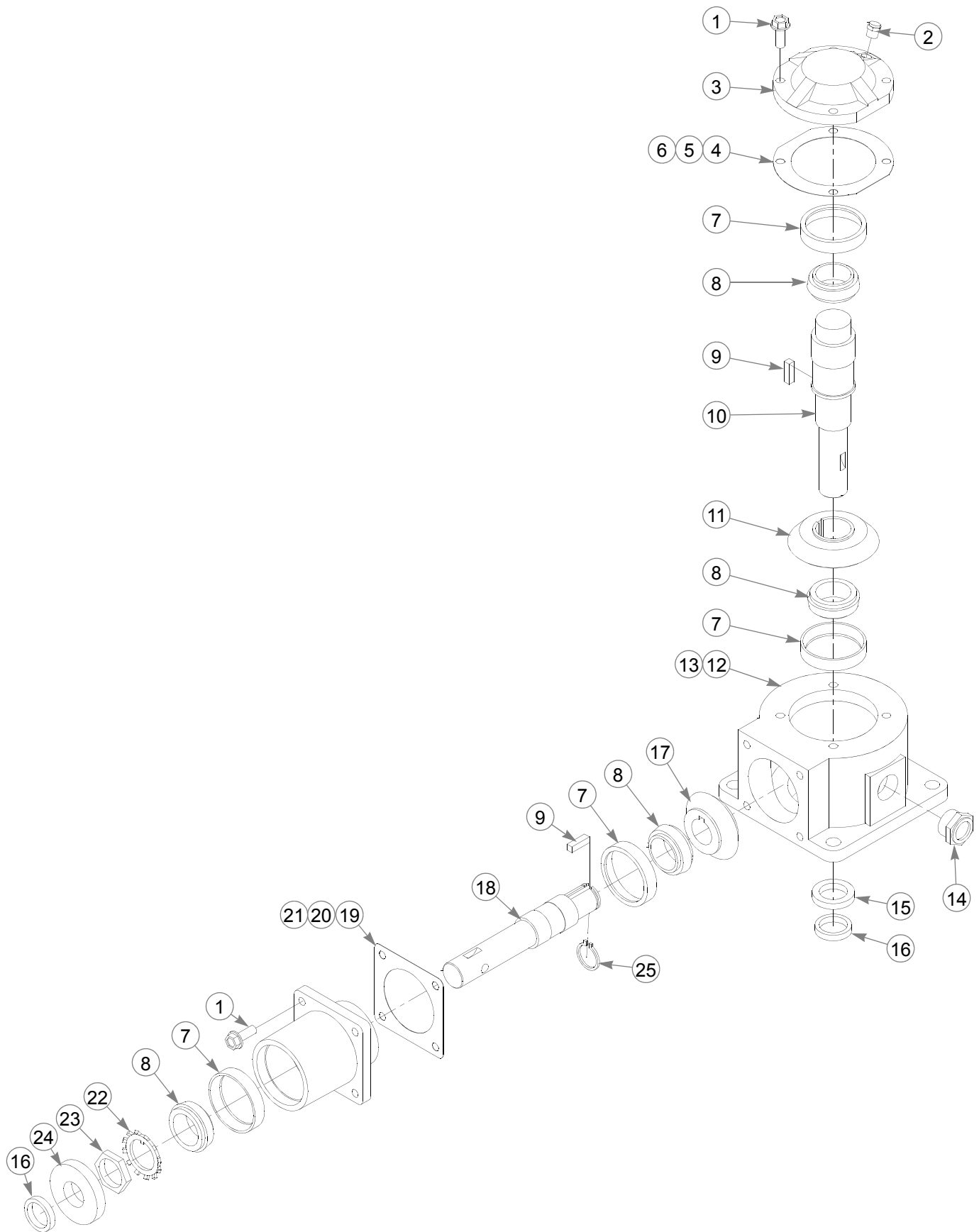
72" Rear Discharge Spindles & Pulleys

INDEX NO.	PART NO.	QTY.	DESCRIPTION
1	025577	1	BELT B 197.9" EL
2	781872	1	CS .625-11 X 1.25 HX G5 Z
3	028118	7	FW .625 X 1.00 X .134 ZNYC
4	796714	4	6" HB IDLER PULLEY RD
5	781567	1	NT .500-13 HX G8 ZY NL
6	767962	13	FW .531 X 1.063 X .090 SAE
7	770867	2	BUSHING .750 X 1
8	109549	1	IDLER PIVOT BUSHING
9	111123	1	IDLER ARM
10	781302	1	IDLER SPRING
11	601563	1	16 LINK CHAIN
12	794446	3	CS .625-11 X 1.500 HX G5
13	016527	3	CS .500-13 X 1.00 HX G5 Z
14	752386	3	CW .515 X 2.25 X .204 BLK
15	538850	3	DRIVE PULLEY
16	705954	12	CS .500-13 X 1.25 HX G5 Z
17	064014	2	CS .312-18 X .875 HX G5
18	768523	2	FW .343 X .687 X .051/.080H
19	601537	1	UHMW WEARPLATE
20	086660	2	NT .375-16 HXZY NL
21	767954	2	FW .406 X .812 X .060 SAE
22	110761	1	J-LEG HOLDER
23	601781	1	J-LEG UHMW .75 WIDE
24	025395	2	CB .375-16 X 1.00 STD CD
25	212472	3	KEY 1/4 SQ X 1.00 LG
26	601819	1	SPINDLE ASSY 3" PILOT
27	796508	1	BLADE F23.86-L-F-CCW
	601929	1	BLADE, 23.86"-GAT-F-CCW
28	782474	3	CW .631 2.250 X .187 PNT
29	601999	1	CS .625-11 X 2.25 LH H5Y
30	798603	1	FW .515 X 1.65 X .125 HD ZY
31	008573	1	CS .500-13 X 2.500 HX G5
32	601630	2	SPINDLE ASSY 3" PILOT
33	796839	2	BLADE F23.86-L-F-CW
	794867	2	BLADE, 23.86"-GAT-F-CW
34	601983	2	CS .625-11 X 2.25 HXG5ZY

NOTES:

1. Torque to 160 N-m.
2. Torque to 90.8-101.7 N-m.

Gearbox Breakdown—601641

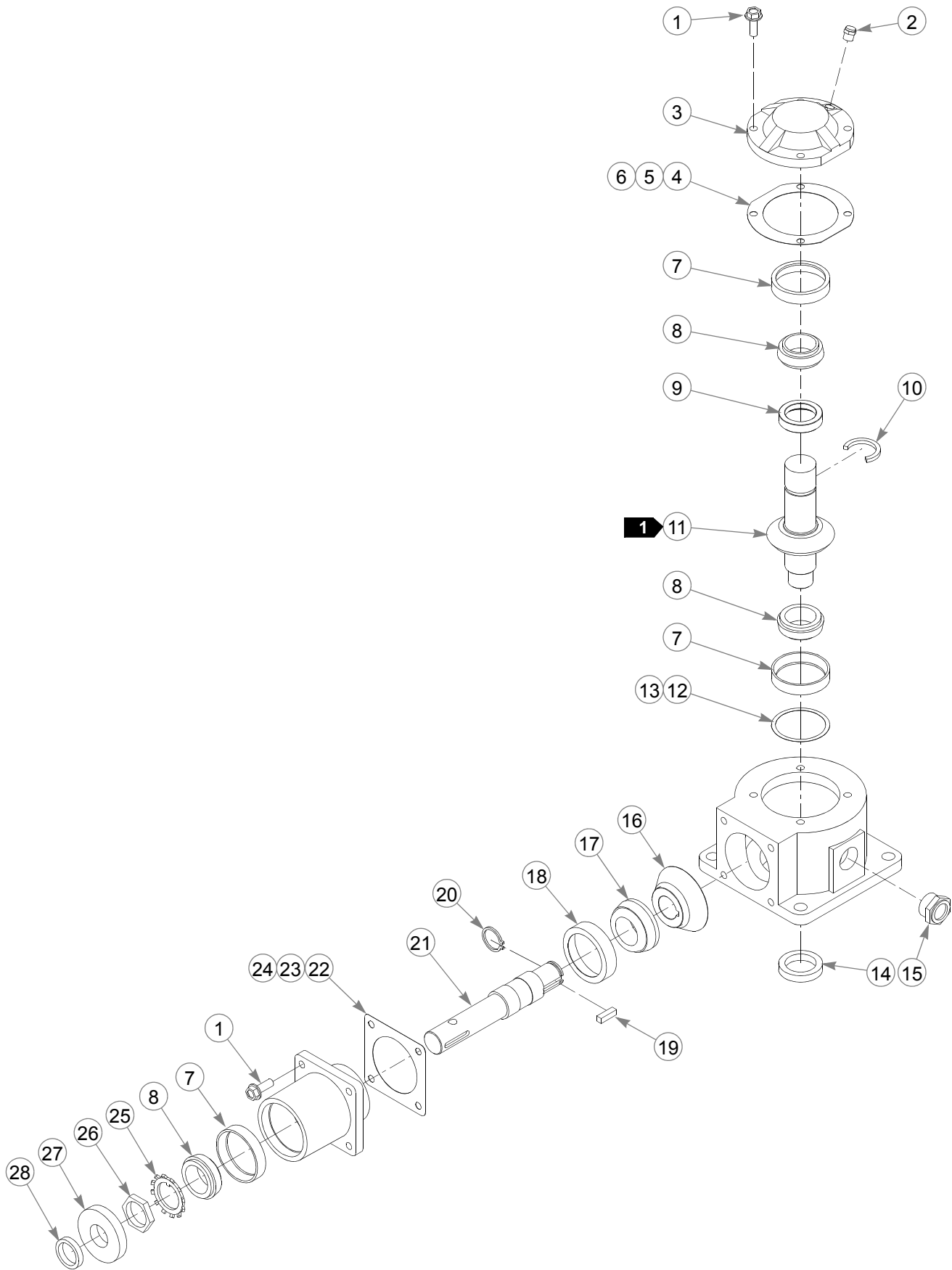


Gearbox Breakdown—601641

INDEX NO.	PART NO.	QTY.	DESCRIPTION
1	601738	8	SEMS CAP SCREW
2	601735	1	RELIEF VALVE
3	601736	1	BLANK CAP
4	601732	A/R	GASKET (0.015)
5	601733	A/R	GASKET (0.005)
6	601734	A/R	GASKET (0.003)
7	601745	4	BEARING CUP
8	601744	4	BEARING CONE
9	601737	2	KEY, 1/4 X .875
10	601756	1	THRU SHAFT
11	601731	1	GEAR (RH)
12	602825	A/R	SHIM .010 THK
13	602826	A/R	SHIM .005 THK
14	601755	1	SIGHT PLUG
15	601752	1	SEAL
16	601743	2	V-RING SEAL
17	601749	1	PINION (LH)
18	601742	1	HUB SHAFT
19	601746	A/R	GASKET (0.015)
20	601747	A/R	GASKET (0.005)
21	601748	A/R	GASKET (0.003)
22	601739	1	LOCKWASHER
23	601740	1	LOCKNUT
24	601741	1	SEAL
25	601750	1	RETAINING RING

NOTES:

Gearbox Breakdown—601712



Gearbox Breakdown—601712

INDEX NO.	SERVICE PART NO.	QTY.	DESCRIPTION
1	601738	8	SEMS CAP SCREW
2	601735	1	RELIEF VALVE
3	601736	1	BLANK CAP
4	601732	A/R	GASKET (0.015)
5	601733	A/R	GASKET (0.005)
6	601734	A/R	GASKET (0.003)
7	601745	3	BEARING CUP
8	601744	3	BEARING CONE
9	602741	1	COLLAR
10	602740	1	RETAINING RING
11	602738	1	GEAR SHAFT ASSEMBLY
12	602825	A/R	SHIM .010 THK
13	602826	A/R	SHIM .005 THK
14	602739	1	SEAL
15	601755	1	SIGHT PLUG
16	602734	1	PINION (LH)
17	602737	1	BEARING CONE
18	602736	1	BEARING CUP
19	601737	1	KEY, 1/4 X .875
20	601750	1	RETAINING RING
21	602735	1	HUB SHAFT
22	601746	A/R	GASKET (0.015)
23	601747	A/R	GASKET (0.005)
24	601748	A/R	GASKET (0.003)
25	601739	1	LOCKWASHER
26	601740	1	LOCKNUT
27	601741	1	SEAL
28	601743	1	V-RING SEAL

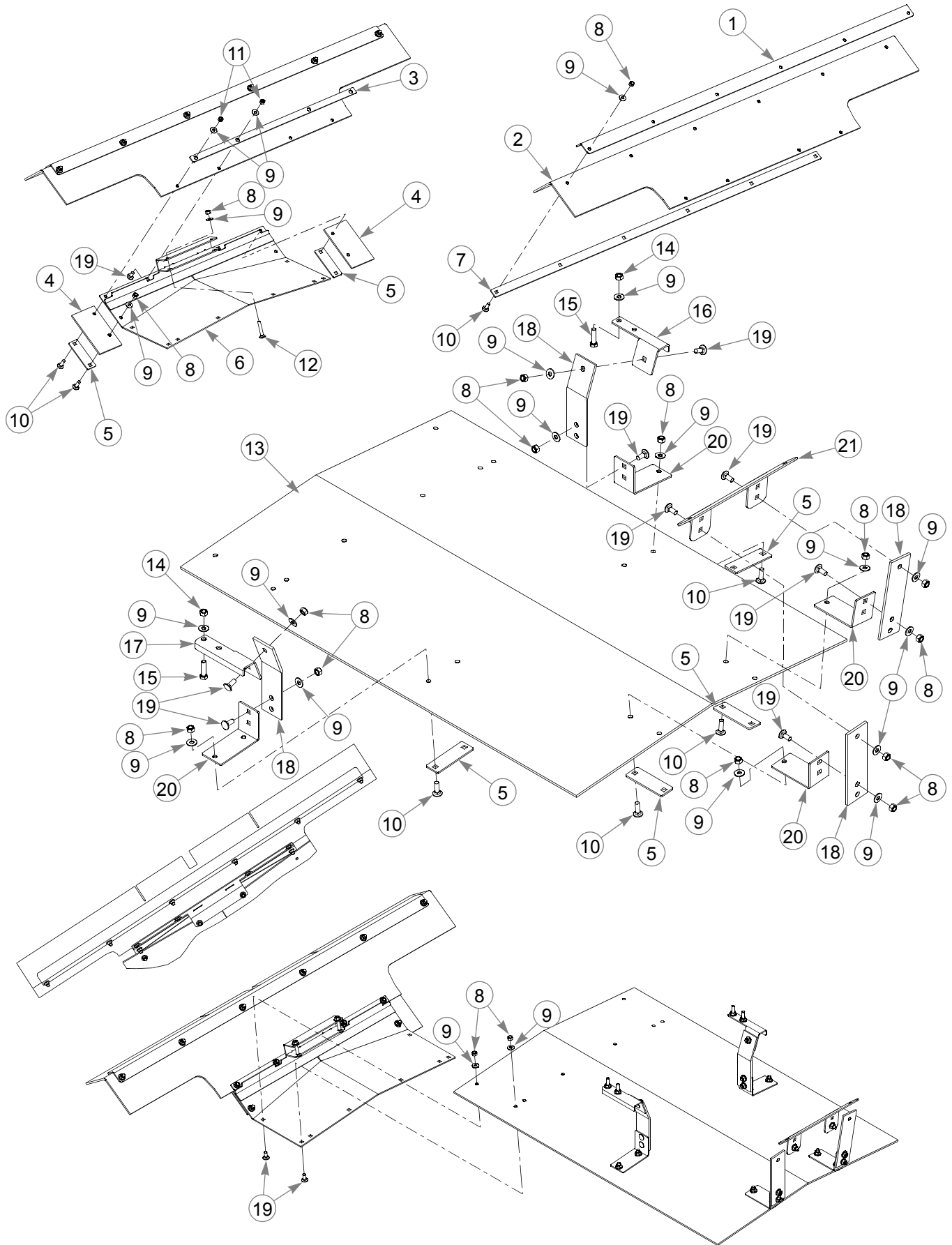
NOTES:

1. Gear and shaft components are not serviced separately.

Section 5

Debris Baffle Assembly	5-2
------------------------------	-----

Debris Baffle Assembly



Debris Baffle Assembly

INDEX NO.	PART NO.	QTY.	DESCRIPTION
1	114750	1	FRONT PLATE TOP
2	603539	1	RUBBER FRONT
3	114752	1	FRONT MOUNT STRIP
4	603540	2	FRONT MOUNT WING
5	114745	6	BACKING PLATE
6	114741	1	DEBRIS BAFFLE
7	114751	1	FRONT PLATE BOTTOM
8	058776	38	NT .312-18 HXZY NL
9	713685	46	FW .312 X .75 X .06 ZNYC
10	037887	18	CB .312-18 X 1.000 FULL ZN
11	706143	4	NT .312-18 HX JAM GR5 ZY
12	771212	2	CB .312-18 X 1.750 ZN
13	603538	1	RUBBER BASE
14	034272	4	NT .312-18 HX G5 ZNYC
15	079186	4	CS .312-18 X 1.250 HX G5
16	114747	1	MID MOUNT RIGHT
17	114746	1	MID MOUNT LEFT
18	603541	4	RUBBER HANGER
19	016253	22	CB .312-18 X .750 FUL ZN
20	114748	4	RUBBER MOUNT
21	114749	1	REAR MOUNT

NOTES:

Numerical Index

Part No.	Page No.	Part No.	Page No.	Part No.	Page No.
Index					
Part Numbers					
008573	4-11, 4-15, 4-19	108516	4-12	466672	3-13
015511	3-14	108543	2-9	466680	3-13
016154	3-3, 3-5, 3-7, 3-9	108661	4-16	466698	3-13
016253	5-3	108667	2-11	467324	4-3, 4-5, 4-7
016527	3-3, 3-5, 3-11, 4-7, 4-11, 4-15, 4-19	109410	3-17	469882	3-13
016972	4-11, 4-15	109478	3-13	469924	3-13
017228	3-17, 3-19, 3-23, 3-25	109539	4-11, 4-15	532887	3-13
017277	3-13	109549	4-11, 4-15, 4-19	532911	3-13
017350	3-13	109562	4-3, 4-5, 4-7	538850	4-15, 4-19
017616	3-3, 3-5, 3-11	109576	3-19	549683	2-3
019521	3-14	109591	3-3, 3-5, 4-8	549691	2-5
023036	3-11, 3-15, 3-20	109616	3-3, 3-5, 3-9	550051	4-7
025007	4-11	109631CE	1-1	550052	3-9
025296	3-13	109951	3-23	550136	4-3
025395	2-9, 2-11, 3-7, 4-3, 4-5, 4-7, 4-11, 4-12, 4-15, 4-16, 4-19	109952	3-25	550237	2-7
025577	4-19	110186	3-17, 3-19, 3-23, 3-25	550239	4-5
028118	4-11, 4-15, 4-19	110478	3-23, 3-25	550499	2-9
029751	4-3, 4-5, 4-7	110690	3-17, 3-19	550510	2-9
029934	4-11	110695	3-17, 3-19, 3-23, 3-25	550511	2-9
034272	5-3	110761	4-11, 4-15, 4-19	550512	2-11
034280	2-9, 2-11, 2-13	111023	3-7	550513	2-11
036715	3-11, 4-3, 4-5, 4-7	111056	1-1	550514	2-11
037887	5-3	111123	4-19	550515	2-13
042051	4-3, 4-5, 4-7	111162	3-7	550516	2-13
052860	2-9, 2-11, 3-7	111258	3-7	550517	2-13
054502	2-9, 2-11	111259	3-7	550519	4-3, 4-5, 4-7
055822	3-9	111263	3-7	601069	2-3, 2-5, 2-7
056333	3-17, 3-19, 3-23, 3-25	111265	3-7	601512	3-11, 4-3, 4-5
058776	3-11, 4-3, 4-5, 4-11, 4-15, 5-3	111267	3-7	601536	3-3, 3-5, 3-9
061101	3-13	111339	3-9	601537	4-11, 4-15, 4-19
063578	3-11, 3-15, 3-20	111658	4-3, 4-5, 4-7	601563	4-19
064014	4-19	111659	4-3, 4-5, 4-7	601573	2-3, 2-5
068551	3-3, 3-5, 3-7, 3-9	111758	4-5, 4-7	601578	3-17, 3-19, 3-20, 4-8
068759	3-13	111761	4-5, 4-7	601579	3-17, 3-19, 3-20, 4-8
070037	2-9, 2-11	111830	4-3	601580	3-17, 3-19, 3-20, 4-8
074252	4-3, 4-5	111833	4-3	601594	2-3, 2-5
079186	4-11, 4-15, 5-3	114741	5-3	601603	2-3, 2-5, 2-7
079210	2-9, 2-11, 2-13	114745	5-3	601623	4-3, 4-5, 4-7
084749	3-11, 3-15, 3-20	114746	5-3	601624	2-3, 2-5
086660	2-9, 2-11, 3-7, 3-17, 3-19, 3-23, 3-25, 4-3, 4-5, 4-7, 4-11, 4-12, 4-15, 4-16, 4-19	114747	5-3	601625	2-3, 2-5, 2-7
103010	2-9, 2-11	114748	5-3	601630	4-11, 4-15, 4-19
104380	2-9	114749	5-3	601641	4-3, 4-5, 4-7
107623	2-11	114750	5-3	601649	2-3, 2-5, 3-9
108089	3-9	114751	5-3	601650	3-17, 3-19, 3-23, 3-25
		114752	5-3	601689	3-17, 3-19, 3-23, 3-25
		212472	4-11, 4-15, 4-19	601715	4-15
		310185	3-13	601728	2-9, 2-11, 2-13
		315226	3-13	601731	4-21
		315234	3-13	601732	4-21, 4-23
		344267	3-13	601733	4-21, 4-23
		359547	2-7	601734	4-21, 4-23
		373191	4-11, 4-15	601735	4-21, 4-23

Part No.	Page No.	Part No.	Page No.	Part No.	Page No.
601736	4-21, 4-23	602736	4-23	770867	4-11, 4-15, 4-19
601737	4-21, 4-23	602737	4-23	771212	5-3
601738	4-21, 4-23	602738	4-23	777441	4-3, 4-5, 4-7
601739	4-21, 4-23	602739	4-23	781302	4-11, 4-15, 4-19
601740	4-21, 4-23	602740	4-23	781385	4-11, 4-15
601741	4-21, 4-23	602741	4-23	781567	3-3, 3-5, 4-3, 4-5, 4-7, 4-11, 4-15, 4-19
601742	4-21	602825	4-21, 4-23	781872	4-11, 4-15, 4-19
601743	4-21, 4-23	602826	4-21, 4-23	782474	4-11, 4-15, 4-19
601744	4-21, 4-23	603538	5-3	783738	4-11, 4-15
601745	4-21, 4-23	603539	5-3	784066	3-14
601746	4-21, 4-23	603540	5-3	784223	3-13
601747	4-21, 4-23	603541	5-3	786061	3-13
601748	4-21, 4-23	704726	4-3, 4-5, 4-7	786079	3-14
601749	4-21	705145	3-17, 3-19, 3-23, 3-25	786277	2-3
601750	4-21, 4-23	705954	3-3, 3-5, 3-9, 3-13, 4-8, 4-11, 4-15, 4-19	786285	2-5, 2-7
601752	4-21	706143	5-3	786731	3-13
601755	4-21, 4-23	706168	4-3, 4-5, 4-7	788364	4-11, 4-15
601756	4-21	710087	3-11, 4-3, 4-5	791988	4-11
601762	3-17, 3-19, 3-23, 3-25	713685	5-3	793794	4-11
601770	3-17, 3-19, 3-23, 3-25	727172	2-3, 2-5, 2-7	794214	4-11
601781	4-11, 4-15, 4-19	728147	4-3, 4-5, 4-7	794230	4-11
601819	4-19	747402	3-14	794446	4-19
601839	3-7	750414	2-9, 2-11	794552	4-3, 4-5, 4-7
601884	2-7	752386	4-11, 4-15, 4-19	794685	4-11
601888	3-7	761544	4-3, 4-5, 4-7	794867	4-19
601923	3-7	766428	3-19, 3-25	796235	4-11
601924	3-7	767954	2-9, 2-11, 3-7, 3-9, 3-17, 3-19, 3-23, 3-25, 4-3, 4-5, 4-7, 4-11, 4-12, 4-15, 4-16, 4-19	796508	4-19
601925	3-7			796714	4-19
601927	3-7			796839	4-19
601929	4-19			797845	2-3, 2-5, 2-7
601983	4-11, 4-15, 4-19			798603	3-13, 4-11, 4-15, 4-19
601999	4-19	767962	2-9, 2-11, 3-3, 3-5, 3-9, 3-11, 3-17, 3-19, 3-20, 4-3, 4-5, 4-7, 4-8, 4-11, 4-15, 4-19	798694	2-9, 2-11
602054	2-7			798702	4-15
602198	3-7			798710	4-15
602207	2-3, 2-5, 2-7			798728	4-15
602229	4-3, 4-5, 4-7	768515	3-3, 3-5, 3-7, 3-9, 3-17, 3-19, 3-23, 3-25	798967	4-11
602562	2-9, 2-11, 2-13, 4-3, 4-5, 4-7			808493	2-3, 2-5
602734	4-23	768523	3-11, 4-3, 4-5, 4-11, 4-15, 4-19	928721CE	1-1
602735	4-23			928739CE	1-1
				928754CE	1-1