

Hustler® Parts Manual



HUSTLER®
TURF EQUIPMENT

200 South Ridge Road

Hesston, Kansas

67062



NOTICE OF REQUIREMENT OF SPARK ARRESTER MUFFLER

This equipment may create sparks that can start fires around dry vegetation. California Public Resources Code Section 4442.6 provides that it is unlawful to use or operate an internal combustion engine on any forest-covered, brush-covered, or grass-covered land unless the engine is equipped with a spark arrester maintained in effective working order. A spark arrester is a device constructed of nonflammable materials specifically for the purpose of removing and retaining carbon and other flammable particles over 0.0232 of an inch in size from the exhaust flow of an internal combustion engine that uses hydrocarbon fuels or which is qualified and rated by the United States Forest Service. Other states or federal areas may have similar laws. The Operator Should Contact Local Fire Agencies For Laws or Regulations Relating to Fire Prevention Requirements. **THIS EQUIPMENT DOES NOT HAVE A SPARK ARRESTER AND YOU SHOULD CONTACT YOUR AUTHORIZED DEALER FOR THE PURCHASE OF A SPARK ARRESTER.**

Inspect spark arrester daily; replace every 500 hours or as needed.

The Engine Owner's Manual provides information regarding the U.S. Environmental Protection Agency (EPA) and the California Emission Control Regulation of emission systems, maintenance and warranty.

Keep Engine Owner's Manual with your unit. Should the Engine Owner's Manual become damaged or illegible, replace immediately. Replacements may be ordered per the information found in the Product Information section of the owner's manual.

Federal law and California State law prohibit the following acts or the causing thereof:

1. The removal or rendering inoperative by any person other than for purposes of maintenance, repair, replacement, of any device or element of design incorporated into any equipment for the purposes of emissions control prior to or after its sales or delivery to the ultimate purchaser or while it is in use, or
2. The use of the equipment after such device or element of design has been removed or rendered inoperative by any person.

General Information 1

Frame & Engine Guard Section

36" Rear Discharge Frame 3-1
Side Discharge Frame - S/N 13051515 & Higher 3-2
Side Discharge Frame - S/N PRIOR TO 13051515 3-3
Engine Guard - Kawasaki 3-4
Engine Guard - Kohler 3-5
36" Guards 3-6
42" Guards 3-7
48" Guards 3-8

Hydraulic & Steering Section

Hydraulic System, Side Discharge 4-1
Pump Belt, Side Discharge 4-2
Transmission Assembly, Side Discharge 4-3
Hydraulic System, Rear Discharge 4-4
Pump Belt, Rear Discharge 4-5
Transmission Assembly, Rear Discharge 4-6
Transmission Service Parts 4-7
Steering 4-8
Steering Assembly 4-9
Park Brake 4-10

Wheels & Tires Section

Wheel & Tire 5-1
Front Wheel Assembly Breakdown 5-2
Drive Wheel Breakdown - 36" Rear Discharge Mowers 5-3
Drive Wheel Breakdown - 42" & 48" Side Discharge Mowers 5-4

Engine & Fuel Tank Section

Engine, Kawasaki FR541V & FR600V - S/N 12030001 & Higher 6-1
Engine, Kawasaki FR541V & FR600V - S.N Prior to 12030001 6-2
Engine Service Parts, Kawasaki FR541V & FR600V 6-3
Engine, Kohler SV590 - S/N 12030001 & Higher 6-4
Engine 6-5
Engine Service Parts, Kohler SV590 6-6
Engine, Kohler SV715 - S/N 12030001 & Higher 6-7
Engine, Kohler SV715 - S/N Prior to 12030001 6-8
Engine Service Parts, Kohler SV715 6-9
Fuel Tank & Fender 6-10
Fuel Tank & Fender - S/N 11010000 to 12030001 6-11

Instrument Panel, Wiring Harness & Battery

Instrument Panel, Kawasaki 7-1
Instrument Panel, Kohler 7-2
Battery 7-3

Deck Section

36" Rear Discharge Service Deck 8-1
36" Rear Discharge Deck Pulleys & Spindles 8-2
36" Rear Discharge Deck 8-3
42" Side Discharge Service Deck 8-4
42" Side Discharge Deck Pulleys & Spindles - S/N PRIOR TO 11021630 and S/N 11021740 & HIGHER 8-5
42" Side Discharge Deck Pulleys & Spindles - S/N 11021630 to 11021740 8-6
42" Side Discharge Deck 8-7
48" Side Discharge Service Deck 8-8
48" Side Discharge Deck Pulleys & Spindles 8-9
48" Side Discharge Deck 8-10
Spindle Service Parts - 783506 8-11

Spindle Service Parts - 607418 8-12
Deck Lift 8-13
Deck Mounting Hardware 8-14

Seat Section

Seat 9-1

General Information

This manual covers Hustler® Sport models **929570CE, 929588CE** with serial numbers 11010000 and higher, **931600CE, 931618CE & 932285CE**.

Service Literature

PART NO.	DESCRIPTION
602902CE	OPERATOR'S MANUAL
108934	GENERAL SERVICE MANUAL
114192	WARRANTY STATEMENT

Options Available From Your Dealer

PART NO.	DESCRIPTION	PART NO.	DESCRIPTION
929653	CATCHER, 2-BAG 42"	604436	ARMREST KIT
929828	CATCHER, 2-BAG 48"	333724	STEERING ARM EXTENSION KIT
929836	CATCHER, 2-BAG 54"	110737	LED LIGHT KIT
118174	MULCH KIT, 36" REAR DISCHARGE	111167	HOUR METER KIT

Note: When ordering parts, you must use the part number as shown for each part, not the index number. Always give the model and serial number to your parts and service representative.

Note: Items sold in bulk such as seals and hoses are sold by the foot.

Using This Manual

This manual is part of a service package for the Hustler® mowers. Use of this manual in conjunction with other Hustler® mower and component manuals will provide the information necessary to service and maintain Hustler® mowers.

This Parts Manual provides a complete parts listing for the unit. Use this manual when ordering parts. Illustrations used were current at the time of printing, but subsequent production changes may cause your machine to vary slightly in detail. Excel Industries, Inc. reserves the right to redesign and change the machine as deemed necessary, without notification. If a change has been made to your machine which is not reflected in this parts manual, see your Hustler dealer for current information and parts.

The Service Manual is a service guide for use by Service Technicians. It provides the necessary information needed to perform normal maintenance requirements on these units. The Operator's Manual provides fundamental operational information and operational safety that is needed when operating the mower.

The component manuals are furnished by the various manufacturers to be used for the troubleshooting and servicing of their products.

Hardware Description Codes & Abbreviations

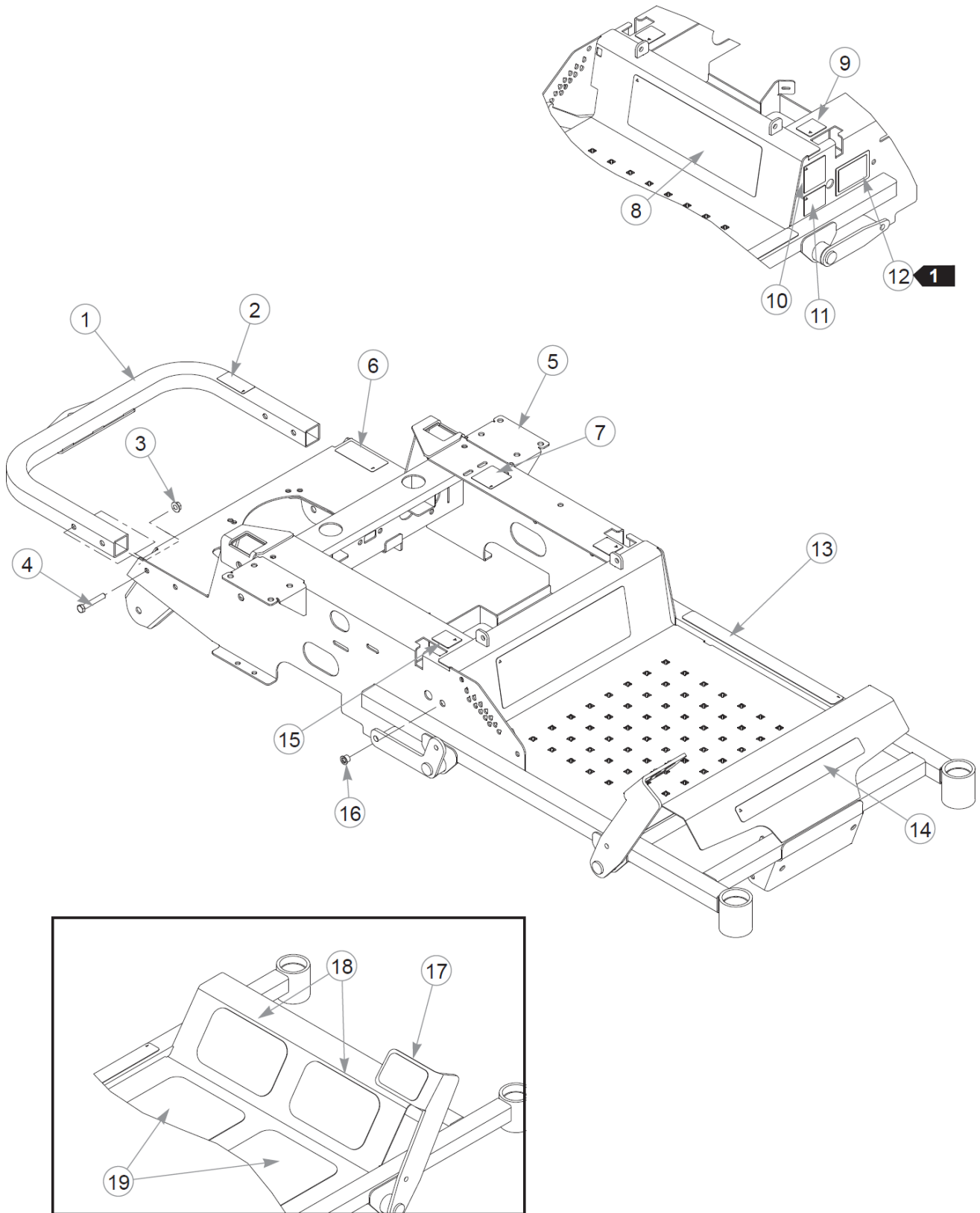
The following codes are used throughout this parts manual. Refer to this list when ordering parts.

ABBREVIATION	DESCRIPTION	ABBREVIATION	DESCRIPTION
CB	CARRIAGE BOLT	MB	MACHINE BUSHING
CE	CLEVIS PIN	MS	MACHINE SCREW
CN	CLIP NUT	NT	NUT
CP	COTTER PIN	SC	SELF TAPPING CAP SCREW
CS	CAP SCREW	SH	SOCKET HEAD
CW	CUP WASHER	SB	SHOULDER BOLT
FDRW	FENDER WASHER	SS	SET SCREW
FW	FLAT WASHER	OD	OUTSIDE DIAMETER
HX	HEX HEAD	ID	INSIDE DIAMETER
LW	LOCK WASHER		

Standard Torques

The following chart lists the standard torque values for the threaded fasteners found in this manual. Torque all cap screws, nuts and set screws to these values unless a different torque is shown in the Notes section next to the fastener.

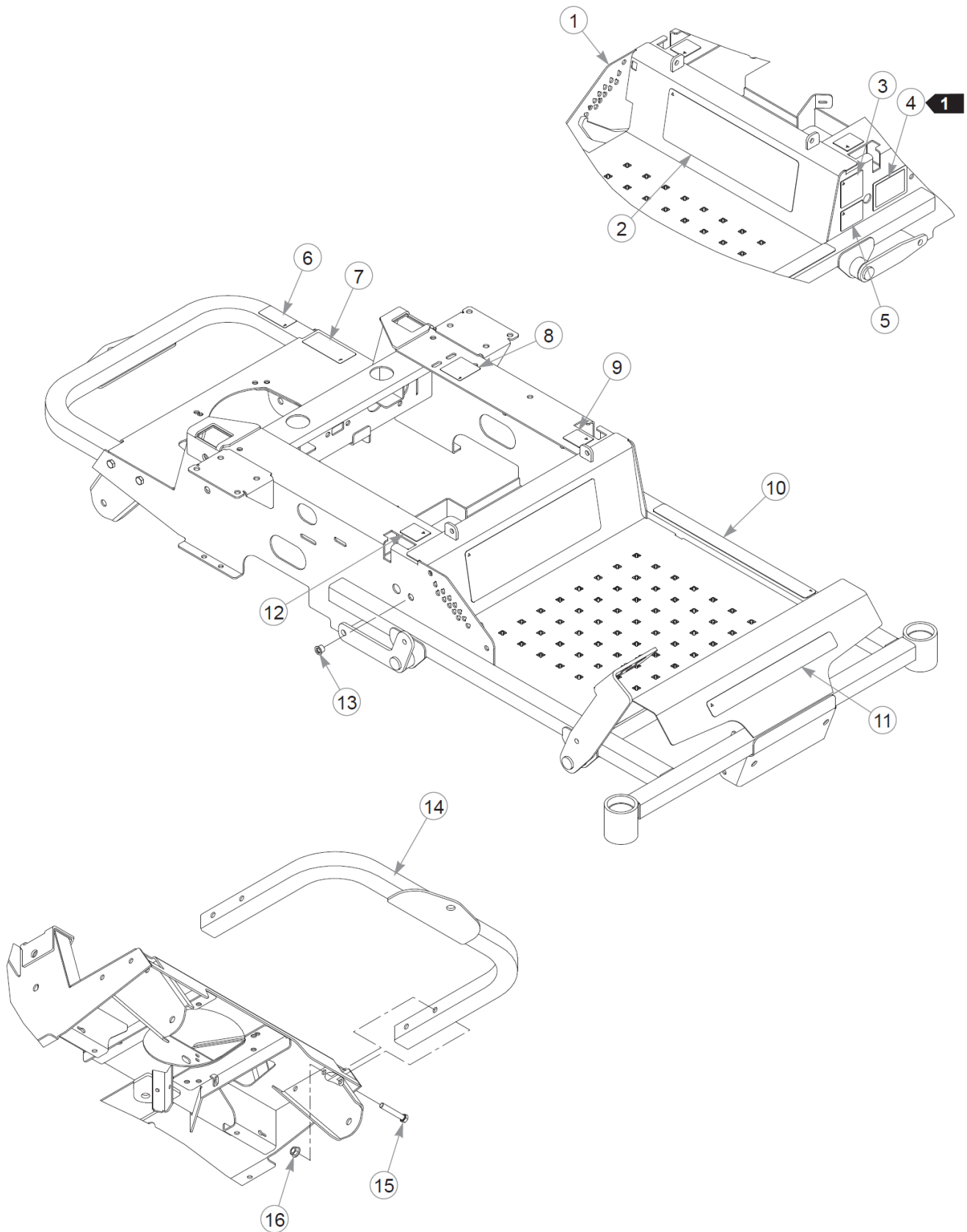
SIZE	FT-LBS	N-M	SIZE	FT-LBS	N-M
.250	8.2	11.1	M3	1	1.3
.312	17	23	M4	2.2	3
.375	30	40	M5	4.5	6.1
.438	48	65	M6	7.7	10.4
.500	73	99	M8	18.5	25
.562	105	143	M10	37	50
.625	145	200	M12	64	87
.750	260	350	M14	80	108.5
.875	420	565	M16	160	215
1.00	625	850	M20	320	435
			M24	555	750



Item	Part No.	Qty	Name
1	551911	1	SVC BUMPER, SPORT
2	602041	1	DECAL, HOT
3	016899	4	NT .375-16 FLKG5
4	056036	4	CS .375-16X2.250HXG5
5	551910	1	36" FRAME
6	601967	1	DECAL, ENGINE COMPART
7	602562	1	DECAL, NO SERVICE
8	601812	1	DECAL, SPORT ID
9	785139	1	DECAL, STEERING L.S.
10	794834CE	1	CE 100 DBA LIMIT DECAL
11	776310	1	DECAL, CE MARK
12	N/A	1	SERIAL NUMBER / SPEC DECAL
13	601993	1	DECAL, SAFE OPERATION
14	602407	1	DECAL, HUSTLER ID
15	785220	1	DECAL, STEERING R.S.
16	808485	1	RIVET NUT, 5/16-18 THRE
17	601987	1	STEP TREAD, FOOT LIFT
18	110063	2	GRIP TAPE
19	601986	2	STEP TREAD, LOWER SPORT

Comments for Page: 36" Rear Discharge Frame

1. Serial number plate. In the event the serial number tag becomes damaged or illegible, please contact your dealer to order a replacement.
2. The bumper (551911) includes the decal (602041).
3. The frame includes decals and rivet nuts.

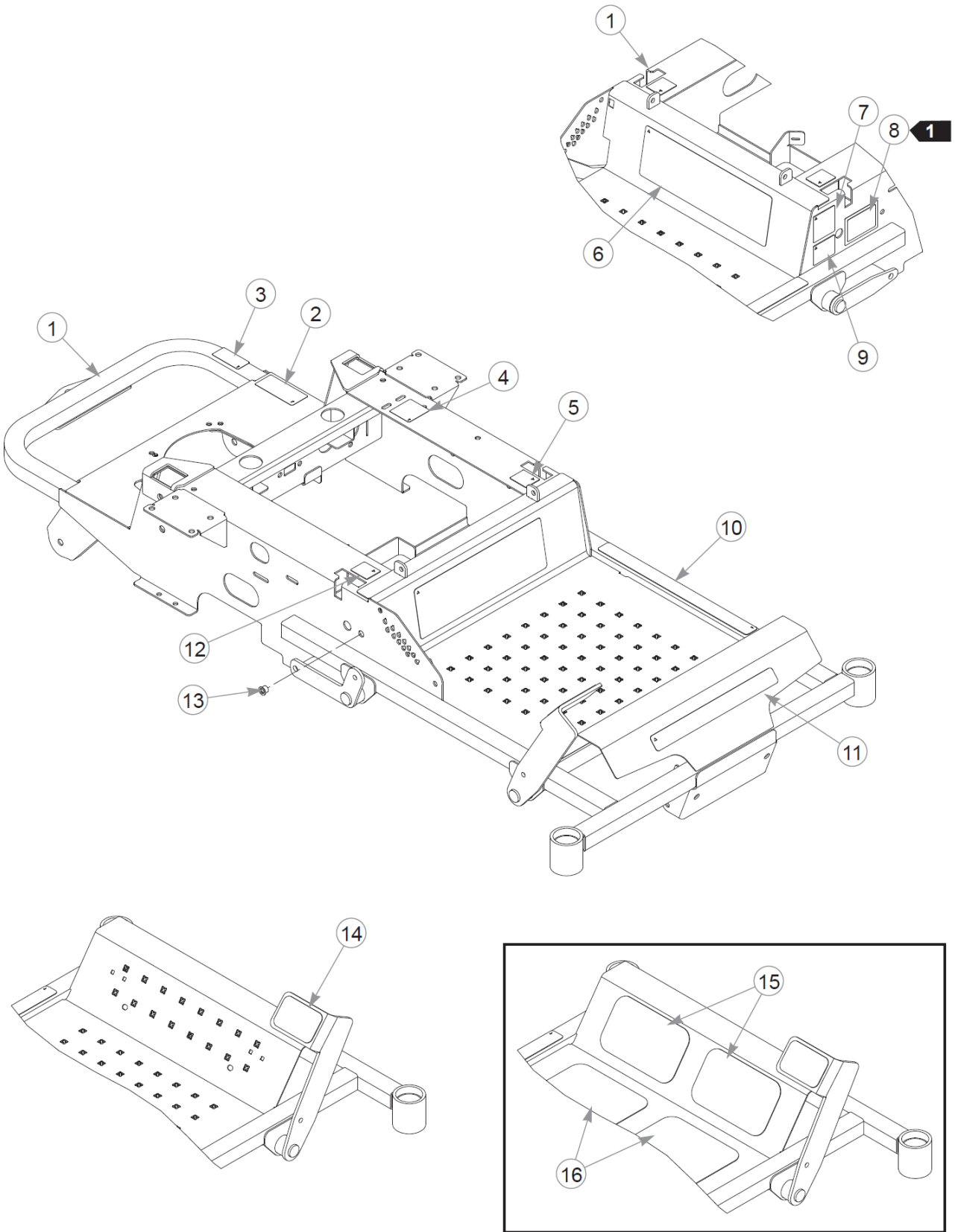


Side Discharge Frame - S/N 13051515 & Higher Sport CE Parts Manual (S/N 11010000 & HIGHER)

Item	Part No.	Qty	Name
1	550668CE	1	42" FRAME
Not Shown	550669CE	1	48" FRAME
2	601812	1	DECAL, SPORT ID
3	794834CE	1	CE 100 DBA LIMIT DECAL
Not Shown	789776CE	1	DBA LIMIT DECAL
4	N/A	1	SERIAL NUMBER / SPEC DECAL
5	776310	1	DECAL, CE MARK
6	602041	1	DECAL, HOT
7	601967	1	DECAL, ENGINE COMPART
8	602562	1	DECAL, NO SERVICE
9	785139	1	DECAL, STEERING L.S.
10	601993	1	DECAL, SAFE OPERATION
11	602407	1	DECAL, HUSTLER ID
12	785220	1	DECAL, STEERING R.S.
13	808485	1	RIVET NUT, 5/16-18 THRE
14	552098	1	SERVICE BUMPER, SPORT
15	056036	4	CS .375-16X2.250HXG5
16	016899	4	NT .375-16 FLKG5

Comments for Page: Side Discharge Frame - S/N 13051515 & Higher

1. Serial number plate. In the event the serial number tag becomes damaged or illegible, please contact your dealer to order a replacement.
2. The frames include decals and rivet nuts.
3. 794834CE decal is used with 42" mowers.
4. 789776CE decal is used with 48" mowers.

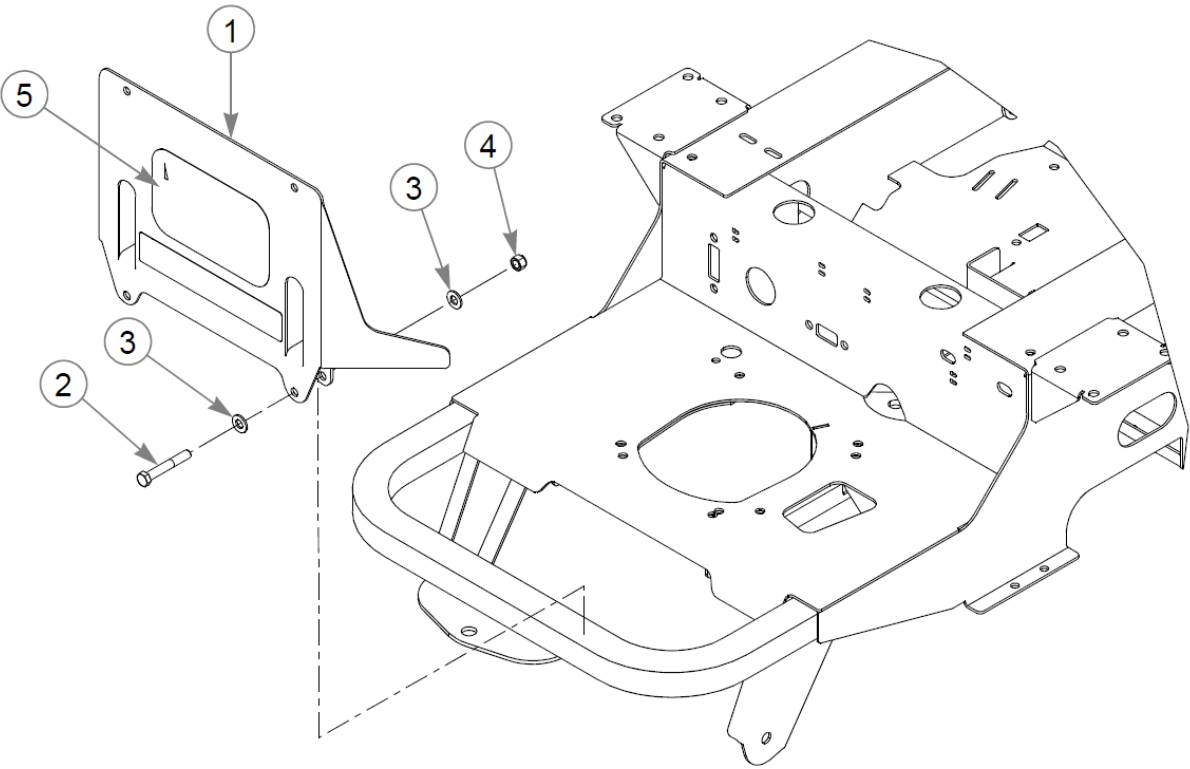


Side Discharge Frame - S/N PRIOR TO 13051515 Sport CE Parts Manual (S/N 11010000 & HIGHER)

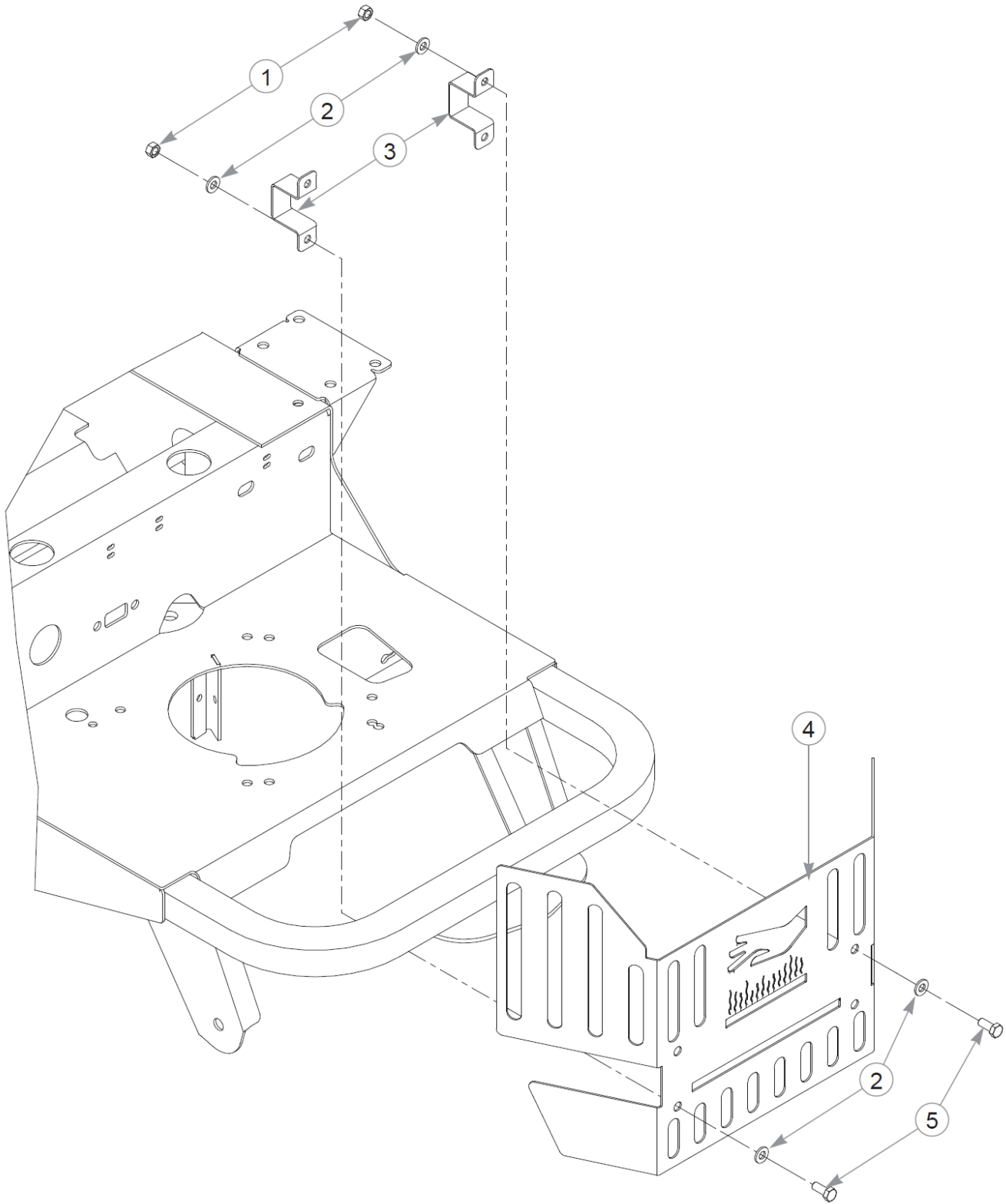
Item	Part No.	Qty	Name
1	550668CE	1	42" FRAME
Not Shown	550669CE	1	48" FRAME
2	601967	1	DECAL, ENGINE COMPART
3	602041	1	DECAL, HOT
4	602562	1	DECAL, NO SERVICE
5	785139	1	DECAL, STEERING L.S.
6	601812	1	DECAL, SPORT ID
7	794834CE	1	CE 100 DBA LIMIT DECAL
Not Shown	789776CE	1	DBA LIMIT DECAL
8	N/A	1	SERIAL NUMBER / SPEC DECAL
9	776310	1	DECAL, CE MARK
10	601993	1	DECAL, SAFE OPERATION
11	602407	1	DECAL, HUSTLER ID
12	785220	1	DECAL, STEERING R.S.
13	808485	1	RIVET NUT, 5/16-18 THRE
14	601987	1	STEP TREAD, FOOT LIFT
15	110063	2	GRIP TAPE
16	601986	2	STEP TREAD, LOWER SPORT

Comments for Page: Side Discharge Frame - S/N PRIOR TO 13051515

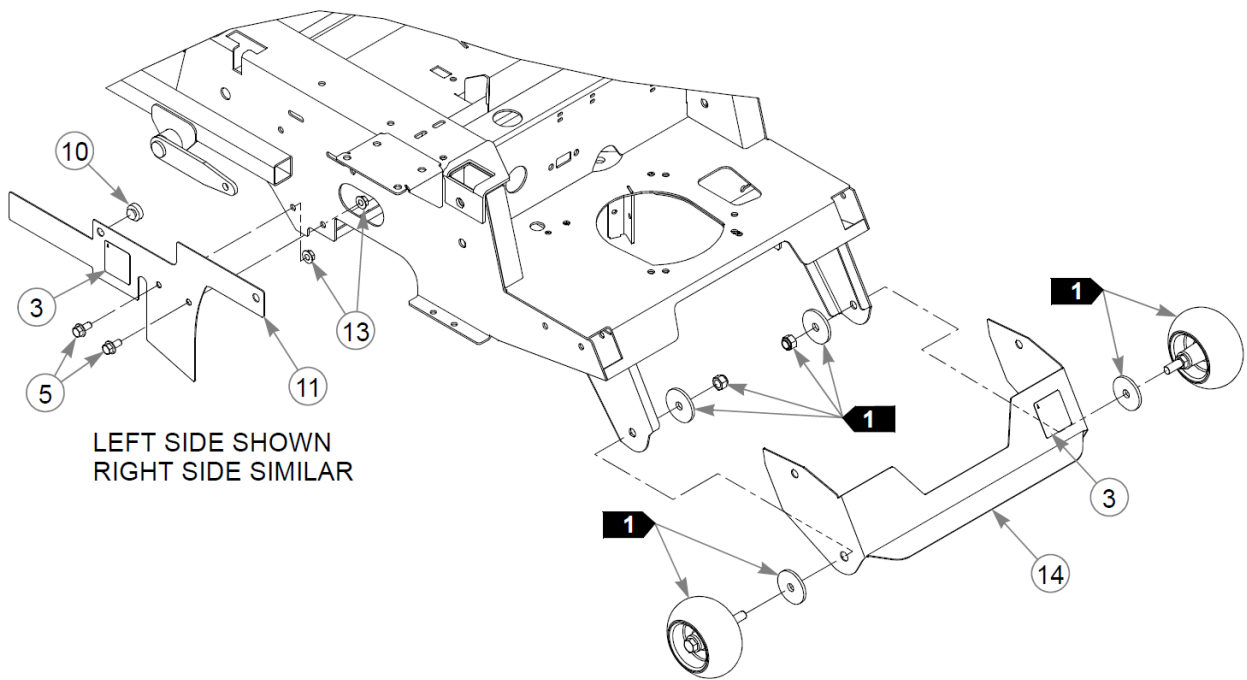
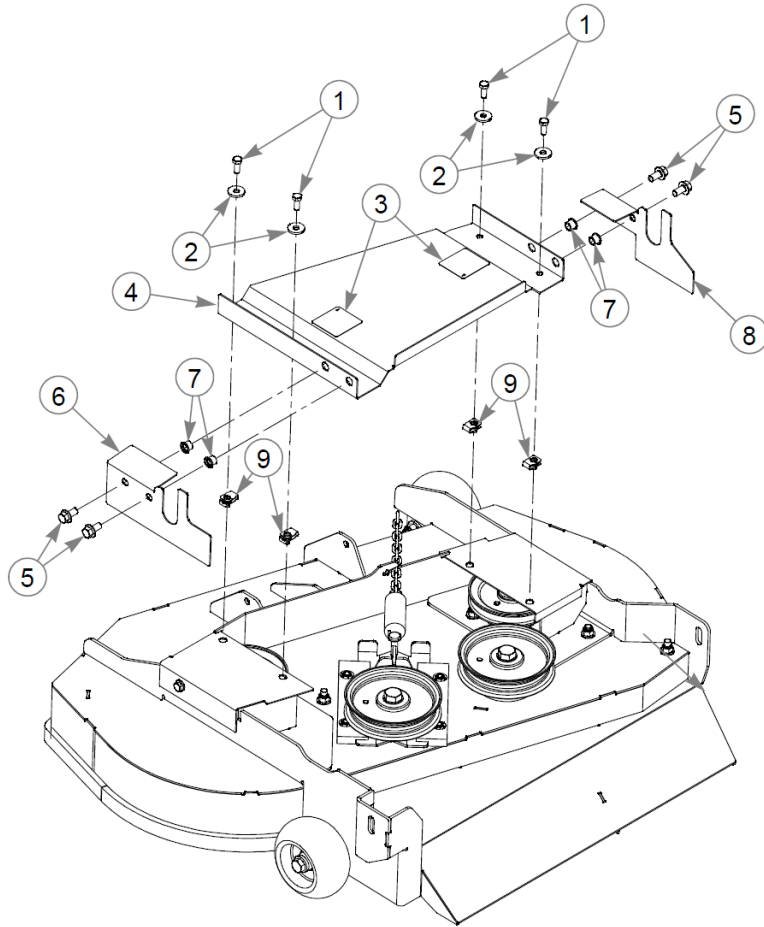
1. Serial number plate. In the event the serial number tag becomes damaged or illegible, please contact your dealer to order a replacement.
2. The frames include decals and rivet nuts.
3. 794834CE decal is used with 42" mowers.
4. 789776CE decal is used with 48" mowers.



Item	Part No.	Qty	Name
1	111171	1	KIT, ENGINE GUARD SPORT
2	016428	2	CS .375-16X2.500HXG5
3	767954	4	FW 0.379X.82X.06 HD ZN
4	086660	2	NT .375-16NLG8
5	604770	1	DECAL, "H" LOGO



Item	Part No.	Qty	Name
1	034272	4	NT .312-18HXG5
2	768523	8	FW 0.343SAE
3	111892	2	MUFFLER GUARD STRAP
4	111643	1	MUFFLER GUARD, CE SPORT
5	034280	4	CS .312-18X0.750HXG5

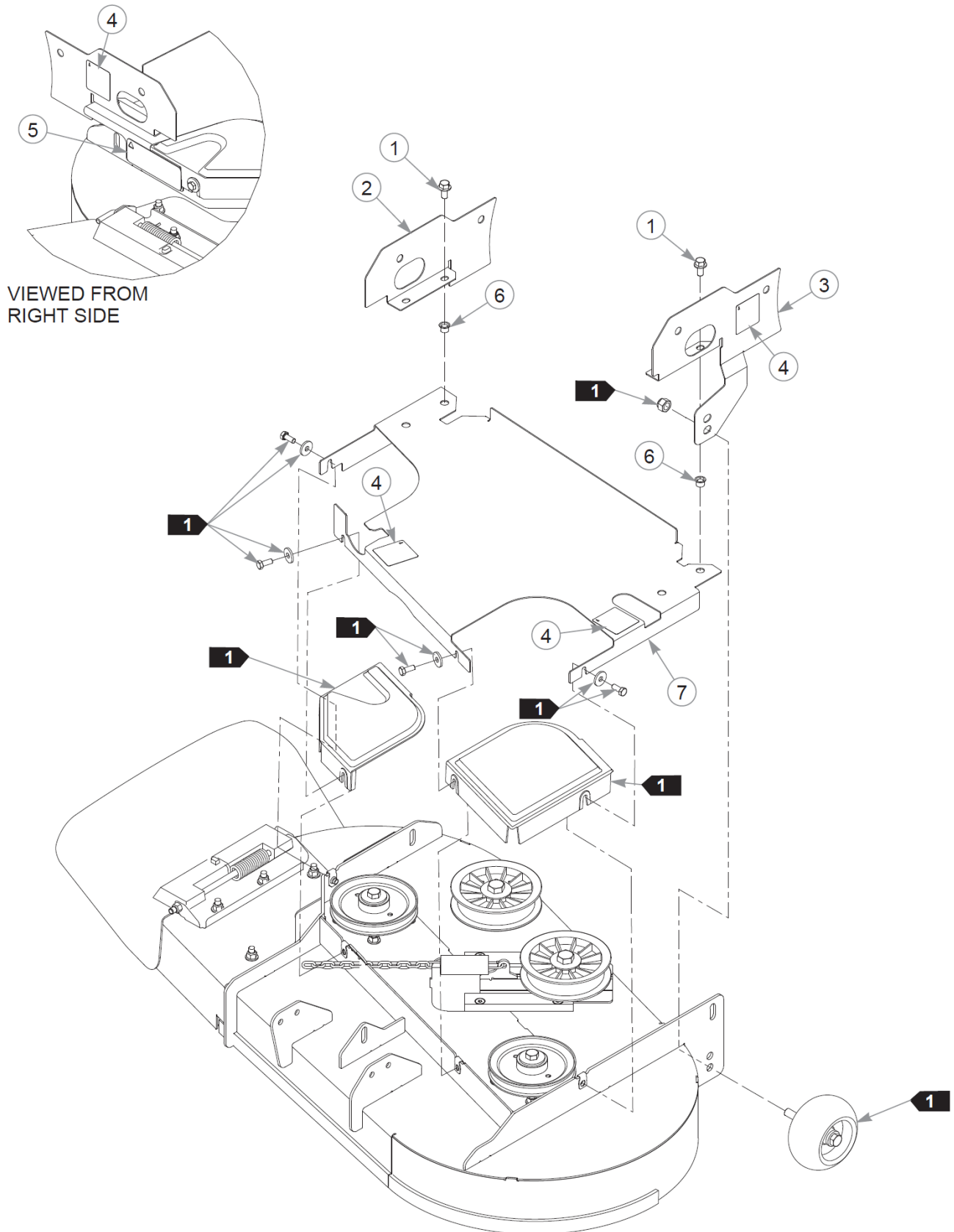


36" Guards

Item	Part No.	Qty	Name
1	034280	4	CS .312-18X0.750HXG5
2	712927	4	FW 0.344X1.00X.12 HD ZN
3	602562	5	DECAL, NO SERVICE
4	552989	1	PULLEY GUARD
5	029629	8	CS .375-16X0.75 HXF G5ZN
6	121454	1	LS DECK GUARD
7	808493	4	RIVET NUT, 3/8-16 THREA
8	121455	1	RS DECK GUARD
9	601069	4	CN .312-18x.200 MAX THK
10	781880	1	BUMPER, .500x 1.00x .31
11	552990	1	LS PULLEY BELT GUARD
12	552991	1	RS PULLEY BELT GUARD
13	016899	4	NT .375-16 FLKG5
14	552967	1	SVC GUARD, CLUTCH

Comments for Page: 36" Guards

1. Part of the anti-scalp wheel assembly.
2. The pulley guard (552989), LS pulley belt guard (552990), RS pulley belt guard (552991) and clutch guard (552967) include decals.



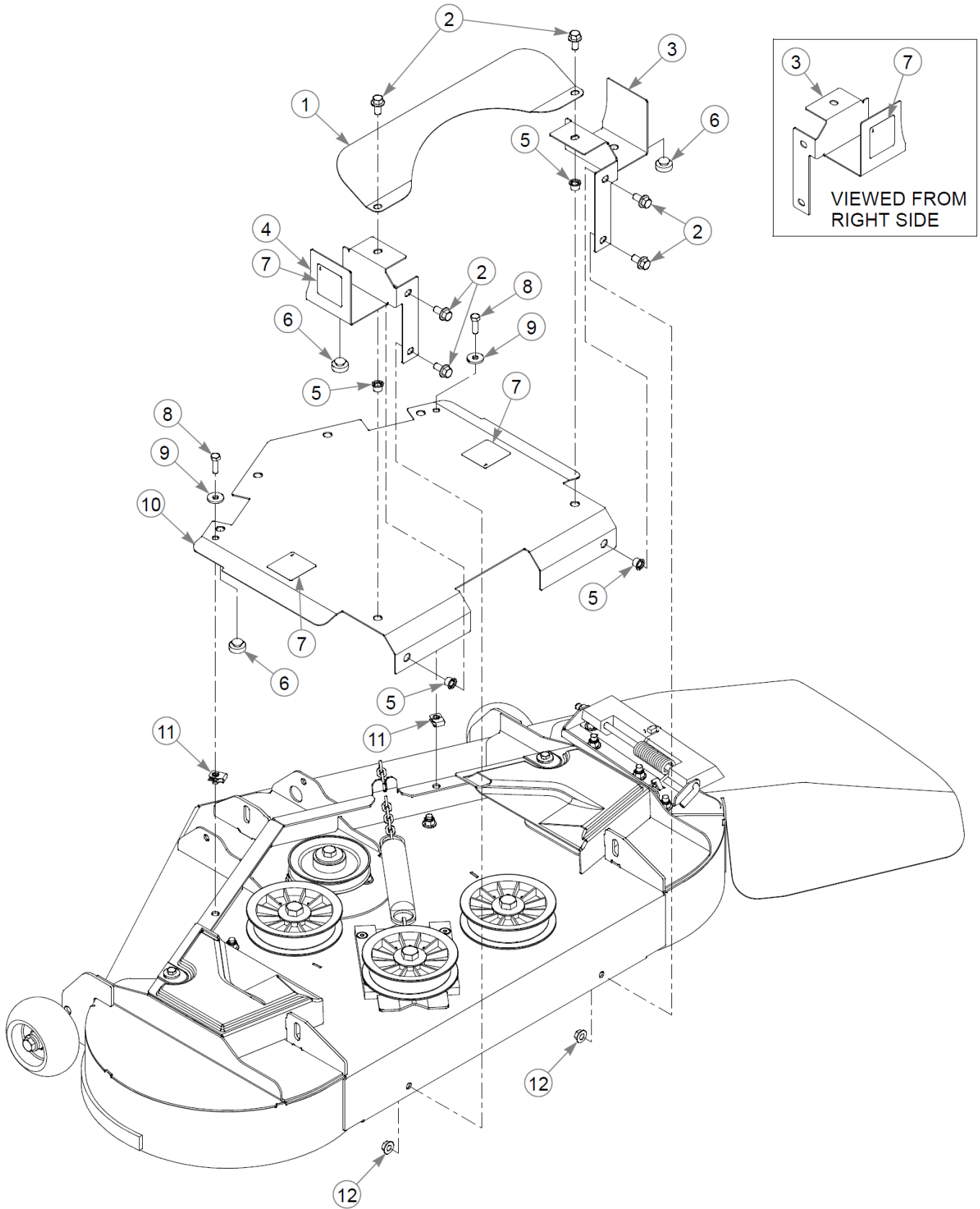
42" Guards

Sport CE Parts Manual (S/N 11010000 & HIGHER)

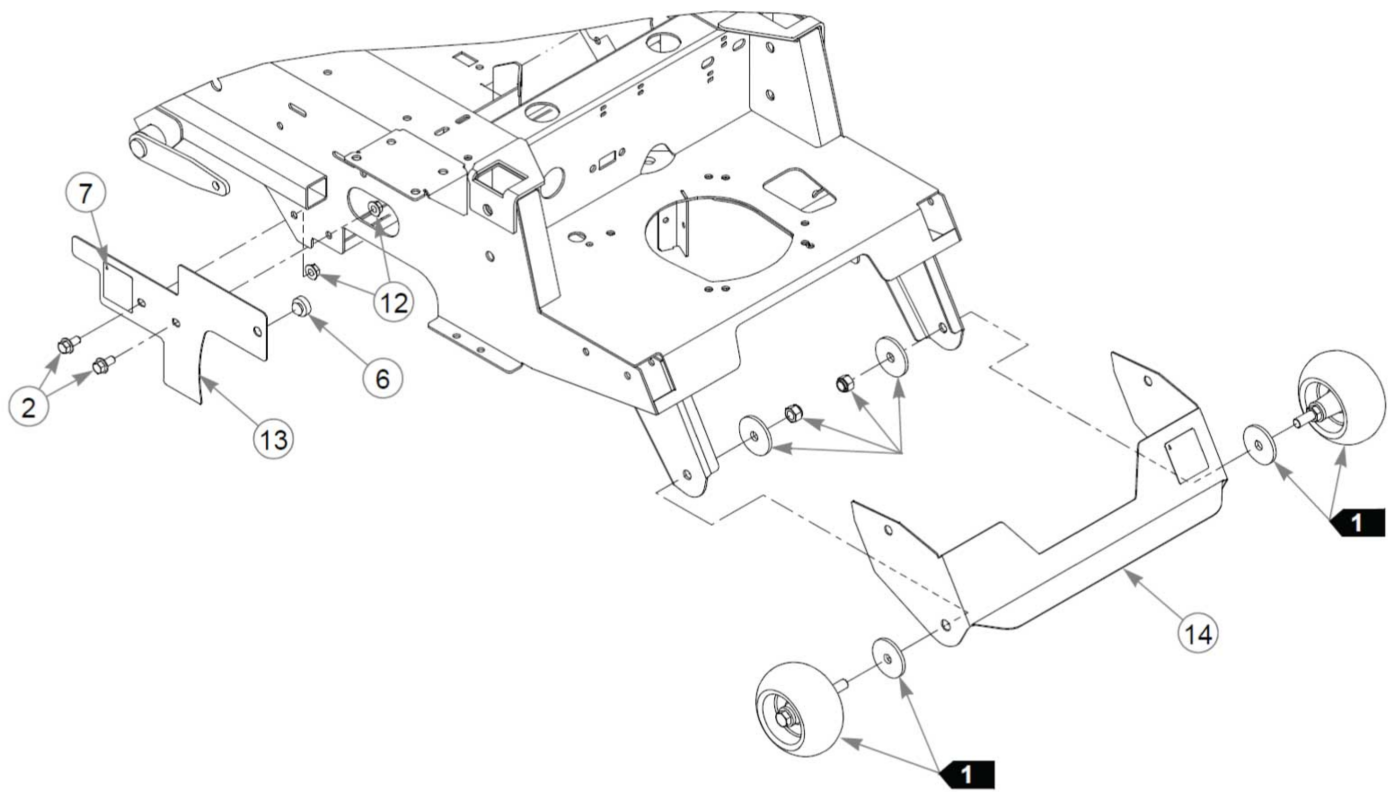
Item	Part No.	Qty	Name
1	029629	8	CS .375-16X0.75 HXF G5ZN
2	121449	1	RS DECK GUARD
3	121448	1	LS DECK GUARD
4	602562	7	DECAL, NO SERVICE
5	601624	1	DECAL, DISCHARGE CHUTE
6	808493	4	RIVET NUT, 3/8-16 THREA
7	121447	1	PULLEY GUARD

Comments for Page: 42" Guards

1. Part of the Deck Assembly.



This page intentionally left blank

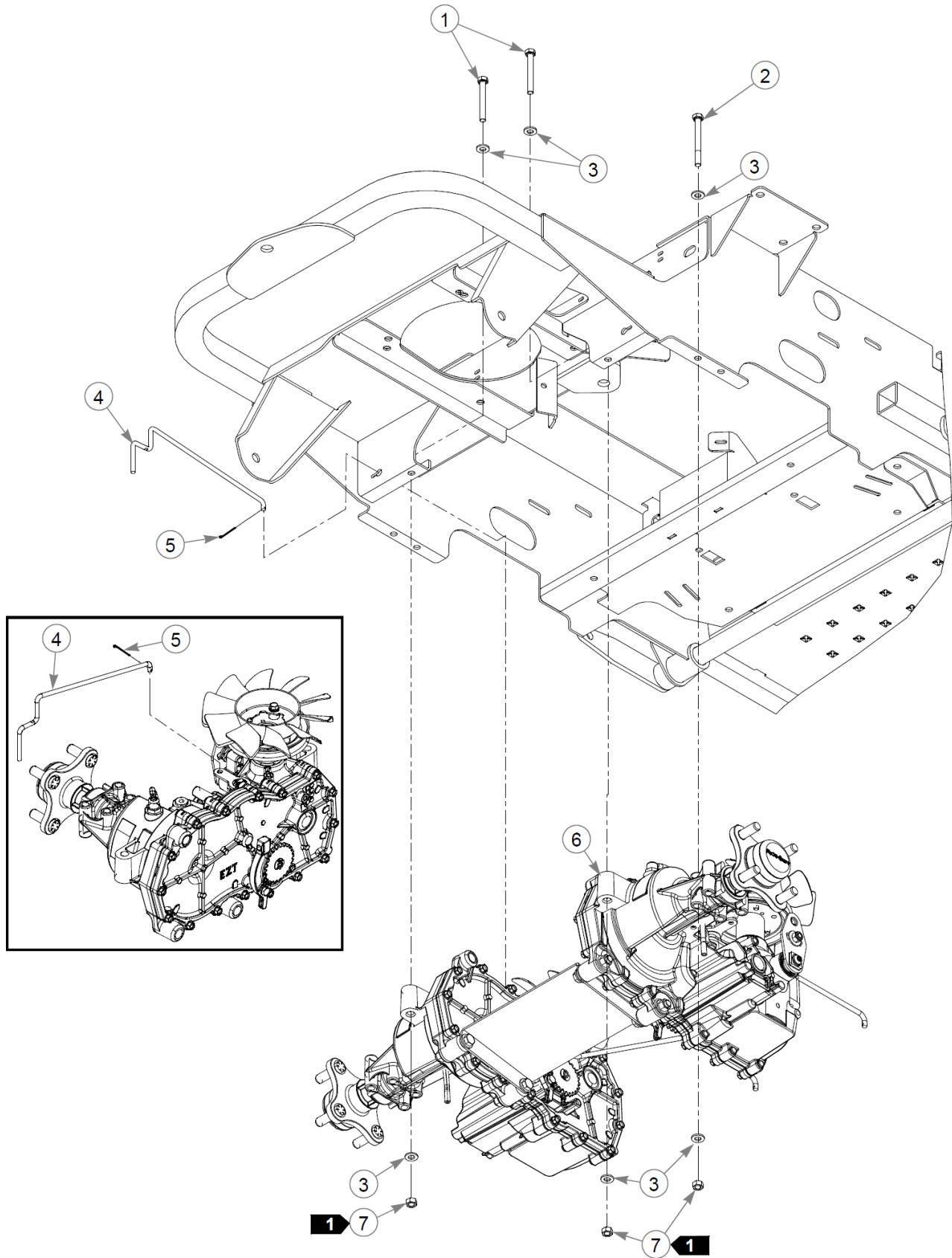


48" Guards

Item	Part No.	Qty	Name
1	552955	1	SVC GUARD, CTR DECK
2	029629	10	CS .375-16X0.75 HXF G5ZN
3	552951	1	SVC GUARD, RHS DECK
4	552950	1	LS DECK GUARD
5	808493	4	RIVET NUT, 3/8-16 THREA
6	781880	8	BUMPER, .500x 1.00x .31
7	602562	7	DECAL, NO SERVICE
8	036236	2	CS .312-18X1.000HXG5
9	712927	2	FW 0.344X1.00X.12 HD ZN
10	552949	1	SVC GUARD
11	601069	2	CN .312-18x.200 MAX THK
12	016899	6	NT .375-16 FLKG5
13	552952	2	SVC GUARD, PULLEY BELT L
Not Shown	552954	2	SVC GUARD, PULLEY BELT R
14	552967	1	SVC GUARD, CLUTCH

Comments for Page: 48" Guards

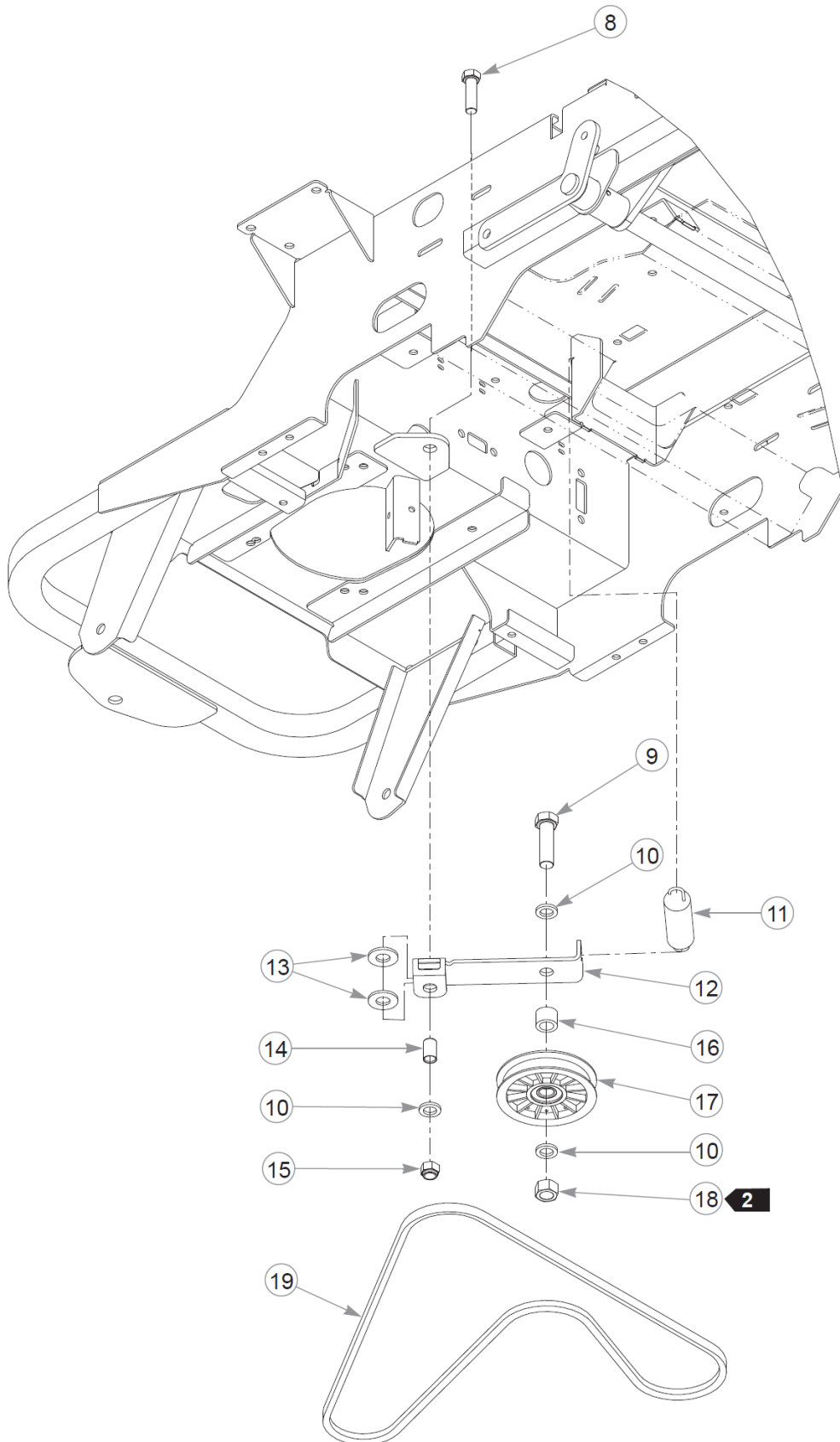
1. Part of the anti-scalp wheel assembly.
2. All guards include decals.



Item	Part No.	Qty	Name
1	710087	4	CS .312-18X2.500HXG5
2	043067	4	CS .312-18X3.000HXG5
3	768523	16	FW 0.343SAE
4	793174	2	TOWLINK ROD
5	048553	2	CP .062DX1.000 LG HML Z
6	N/A	1	TRANSMISSION ASSEMBLY
7	034272	8	NT .312-18HXG5

Comments for Page: Hydraulic System, Side Discharge

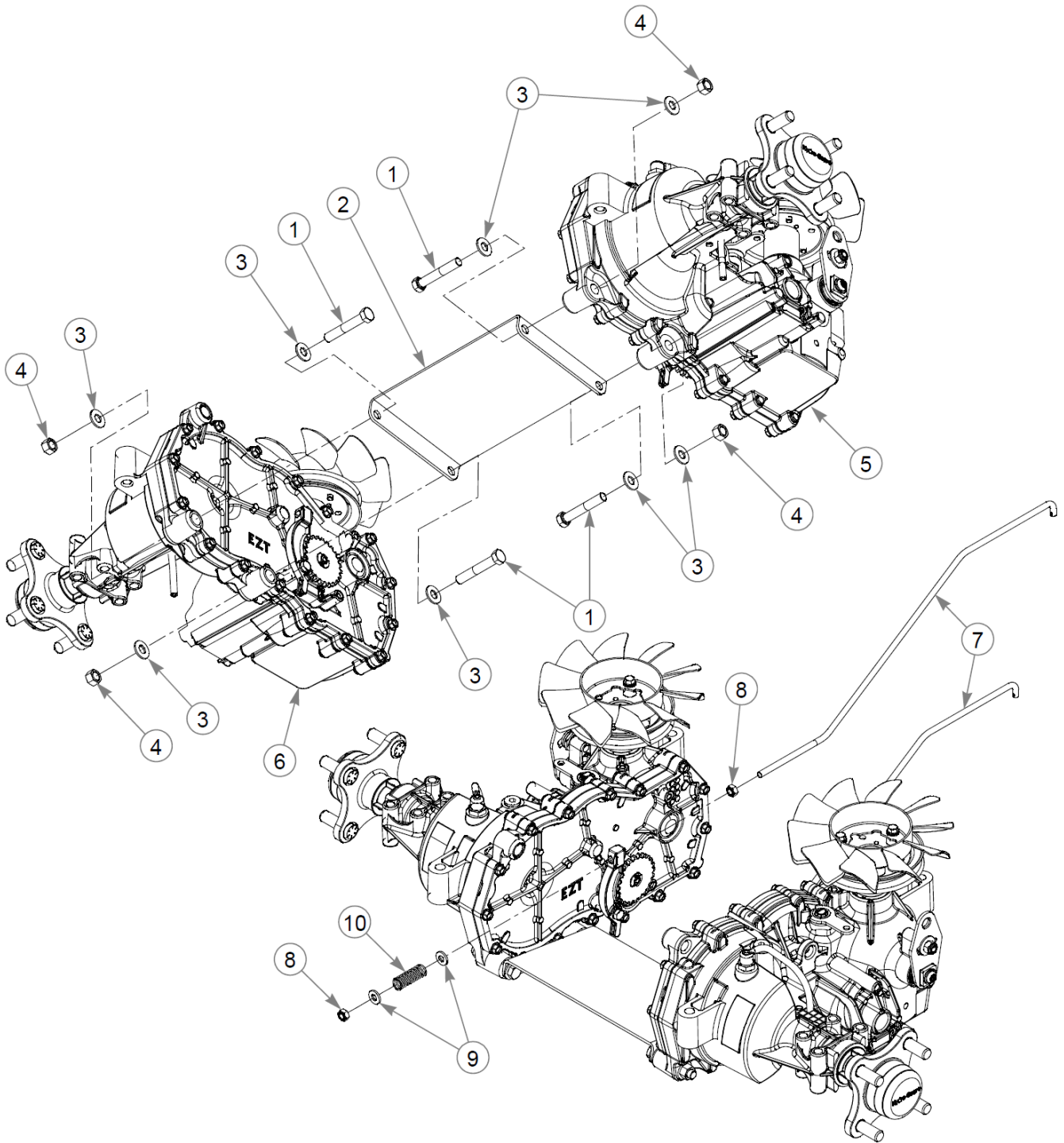
1. Torque to 23 N•m.



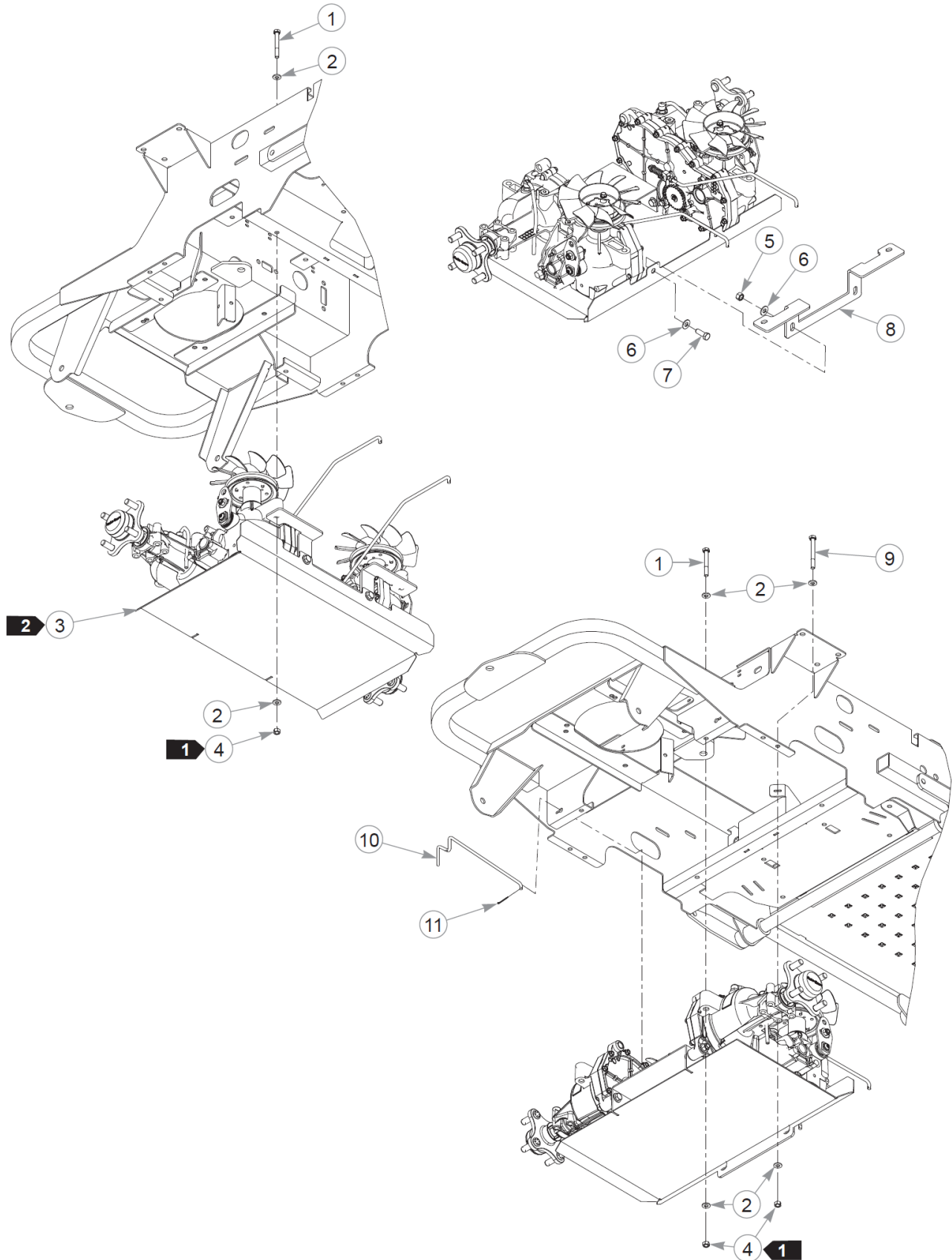
Item	Part No.	Qty	Name
8	017616	1	CS .500-13X1.750HXG5
9	601983	1	CS .625-11 X 2.25 HXG5ZN
10	028118	3	FW 0.625X1.00X.13 ZN
11	036384	1	SPRING 1/4 COIL PL 1.23
12	111079	1	PUMP IDLER, FORMED
13	602026	2	BEARING DISC
14	602025	1	BUSHING,IGUS .500id (FS)
15	781567	1	NT .500-13NLG5
16	601398	1	SPACER, IDLER
17	784827	1	PULLEY, IDLER, 4.00"OD,
18	016972	1	NT .625-11 HX G5 ZN
19	769133	1	DRIVE BELT

Comments for Page: Pump Belt, Side Discharge

2. Torque to 200 N•m.



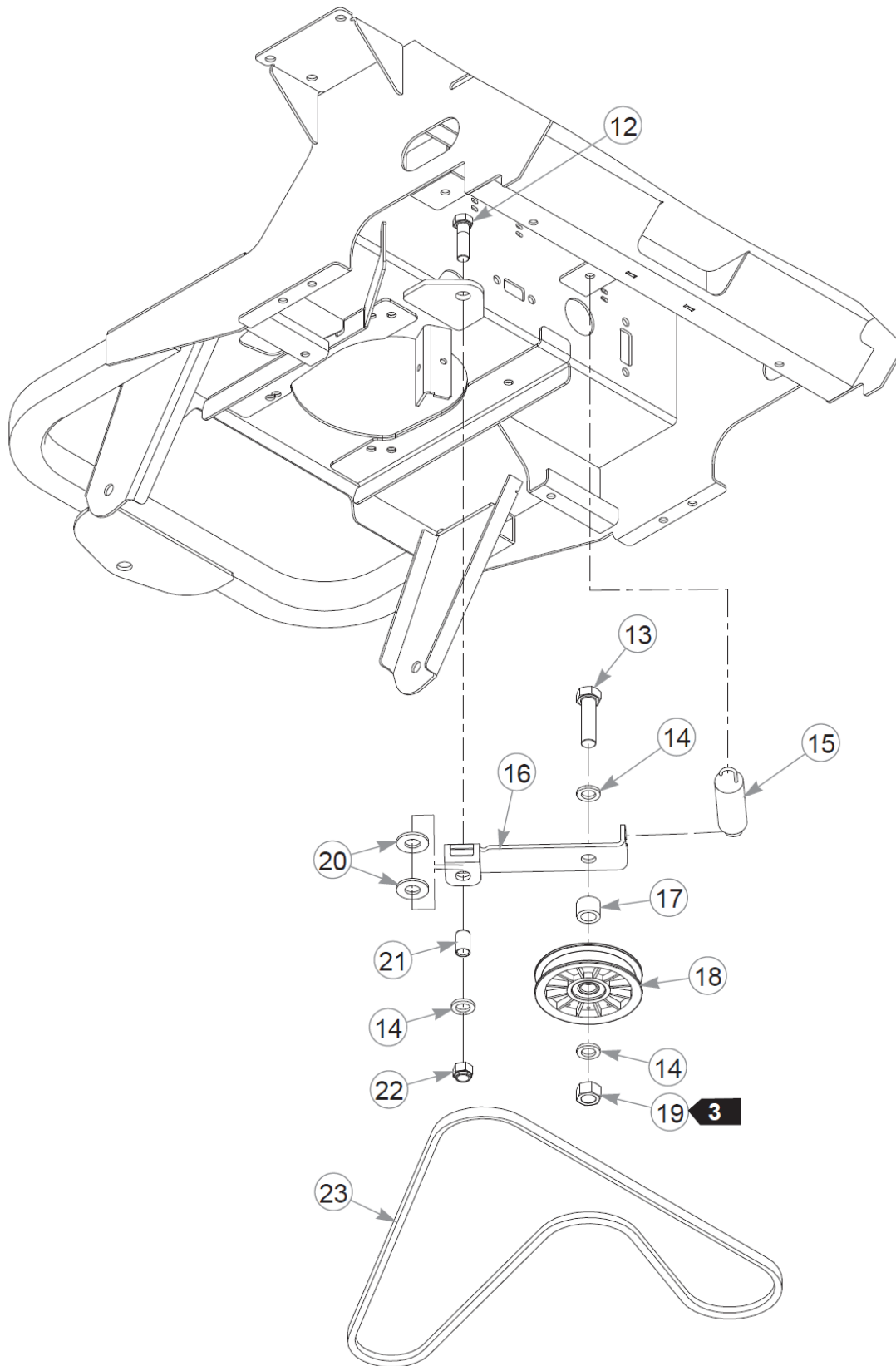
Item	Part No.	Qty	Name
1	056036	4	CS .375-16X2.250HXG5
2	123634-3	1	CROSS BRACE, HYDROSTAT
3	767954	8	FW 0.379X.82X.06 HD ZN
4	054502	4	NT .375-16HXG5
5	603091	1	EZT, 19.2:1 RIGHT TRANS
6	603090	1	EZT, 19.2:1 LEFT TRANS
7	110009	2	BRAKE ACTUATOR ROD
8	068551	4	NT .250-20 HXZY NL
9	768515	4	FW 0.281SAE
10	601131	2	SPRING, BRAKE ARM RET.



Item	Part No.	Qty	Name
1	710087	4	CS .312-18X2.500HXG5
2	768523	16	FW 0.343SAE
3	N/A	1	TRANSMISSION ASSEMBLY
4	034272	8	NT .312-18HXG5
5	054502	2	NT .375-16HXG5
6	767954	4	FW 0.379X.82X.06 HD ZN
7	036244	2	CS .375-16X1.00 HX G5 ZN
8	117440	1	SHIELD TRANNY BRACKET
9	043067	4	CS .312-18X3.000HXG5
10	793174	2	TOWLINK ROD
11	048553	2	CP .062DX1.000 LG HML Z

Comments for Page: Hydraulic System, Rear Discharge

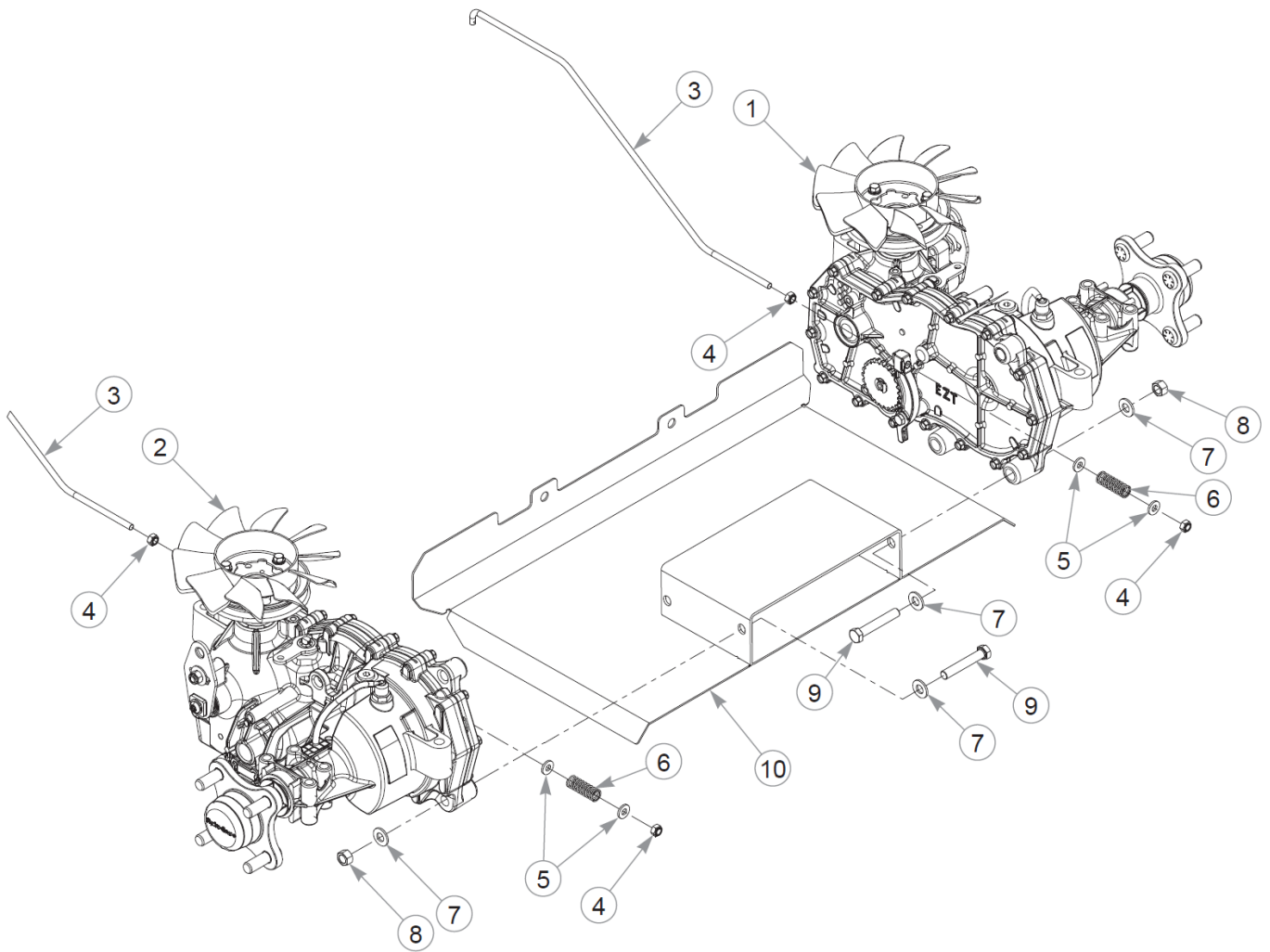
1. Torque to 23 N•m.
2. See the Transmission Assembly.



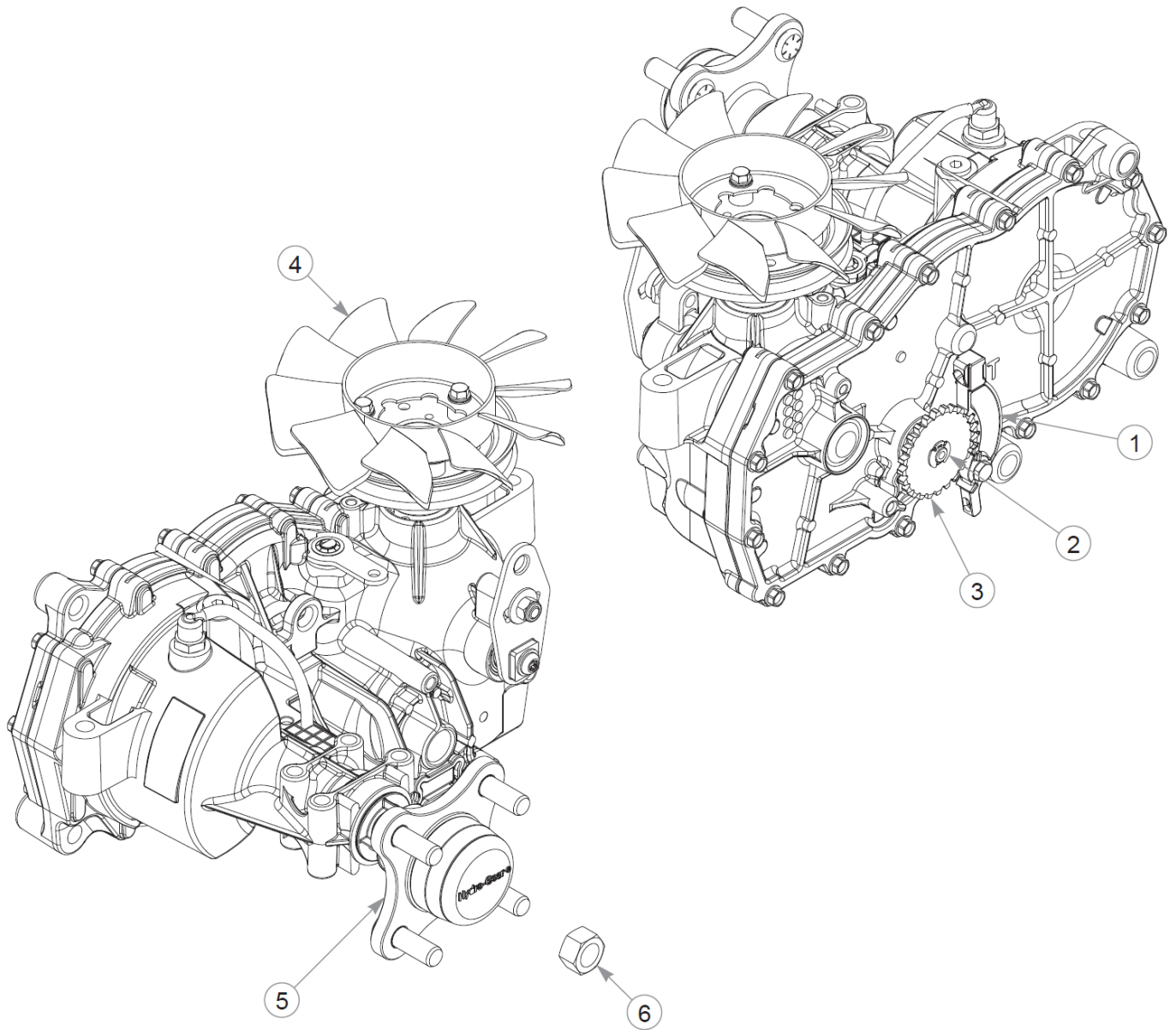
Item	Part No.	Qty	Name
12	017616	1	CS .500-13X1.750HXG5
13	601983	1	CS .625-11 X 2.25 HXG5ZN
14	028118	3	FW 0.625X1.00X.13 ZN
15	036384	1	SPRING 1/4 COIL PL 1.23
16	111079	1	PUMP IDLER, FORMED
17	601398	1	SPACER, IDLER
18	784827	1	PULLEY, IDLER, 4.00"OD,
19	016972	1	NT .625-11 HX G5 ZN
20	602026	2	BEARING DISC
21	602025	1	BUSHING,IGUS .500id (FS)
22	781567	1	NT .500-13NLG5
23	769133	1	DRIVE BELT

Comments for Page: Pump Belt, Rear Discharge

3. Torque to 135 N•m.



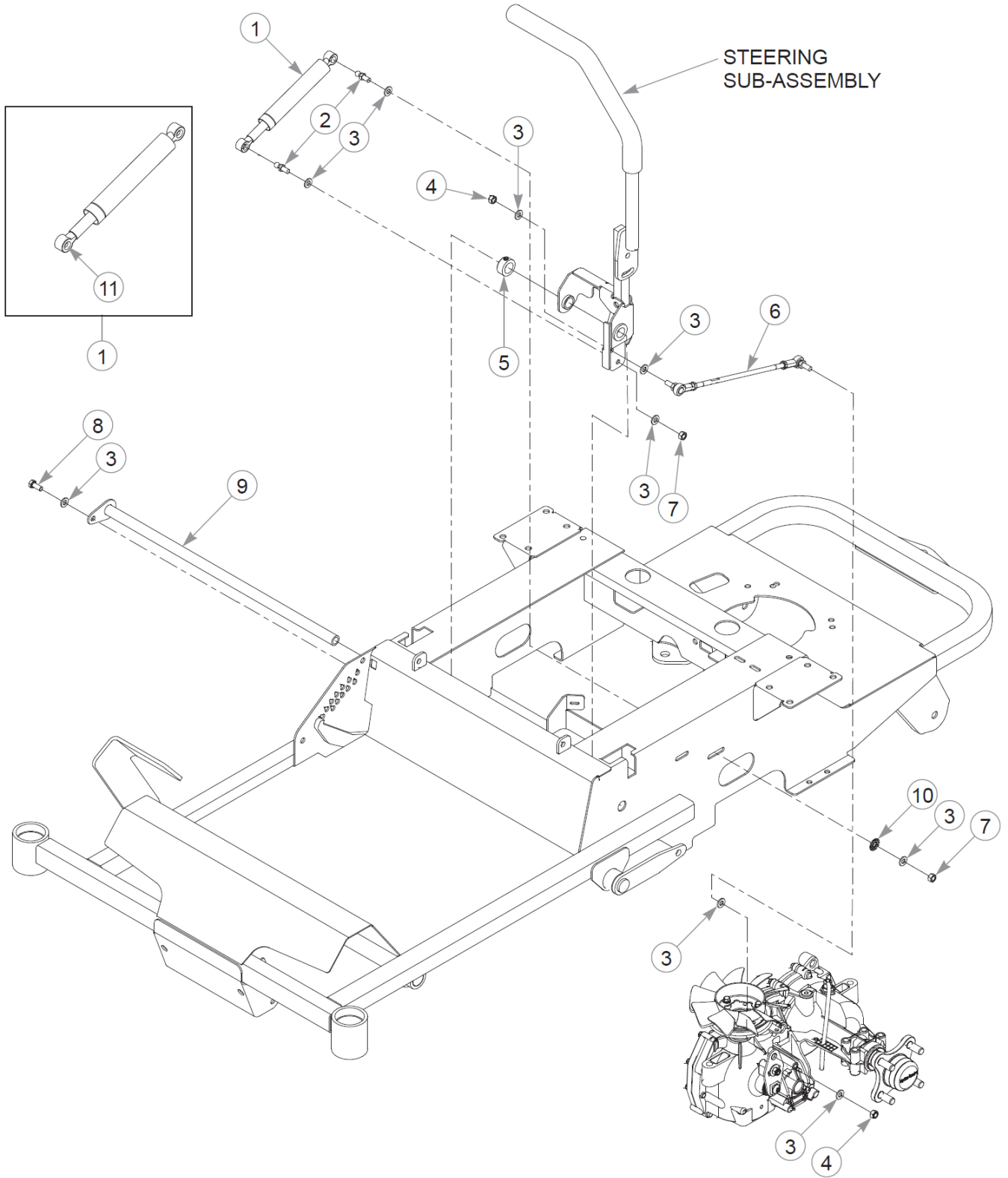
Item	Part No.	Qty	Name
1	603091	1	EZT, 19.2:1 RIGHT TRANS
2	603090	1	EZT, 19.2:1 LEFT TRANS
3	110009	2	BRAKE ACTUATOR ROD
4	068551	4	NT .250-20 HXZY NL
5	768515	4	FW 0.281SAE
6	601131	2	SPRING, BRAKE ARM RET.
7	767954	8	FW 0.379X.82X.06 HD ZN
8	054502	4	NT .375-16HXG5
9	056036	4	CS .375-16X2.250HXG5
10	116653	1	SHIELD W/A



Item	Part No.	Qty	Name
1	795047	1	PARKING PAWL KIT, EZT
2	798371	1	RING, RETAINING
3	798363	1	GEAR, PARK BRAKE
4	601941	1	FAN/PULLEY KIT
5	601433	1	KIT, HUB 4 BOLT
<p>Comments for Part Num. 601433</p> <p>CUSTOMER SERVICE NOTE: Lug Studs are not sold separately.</p>			
6	788877	1	NUT, H-G ZT HUB

Comments for Page: Transmission Service Parts

1. The hub kit includes the nut.



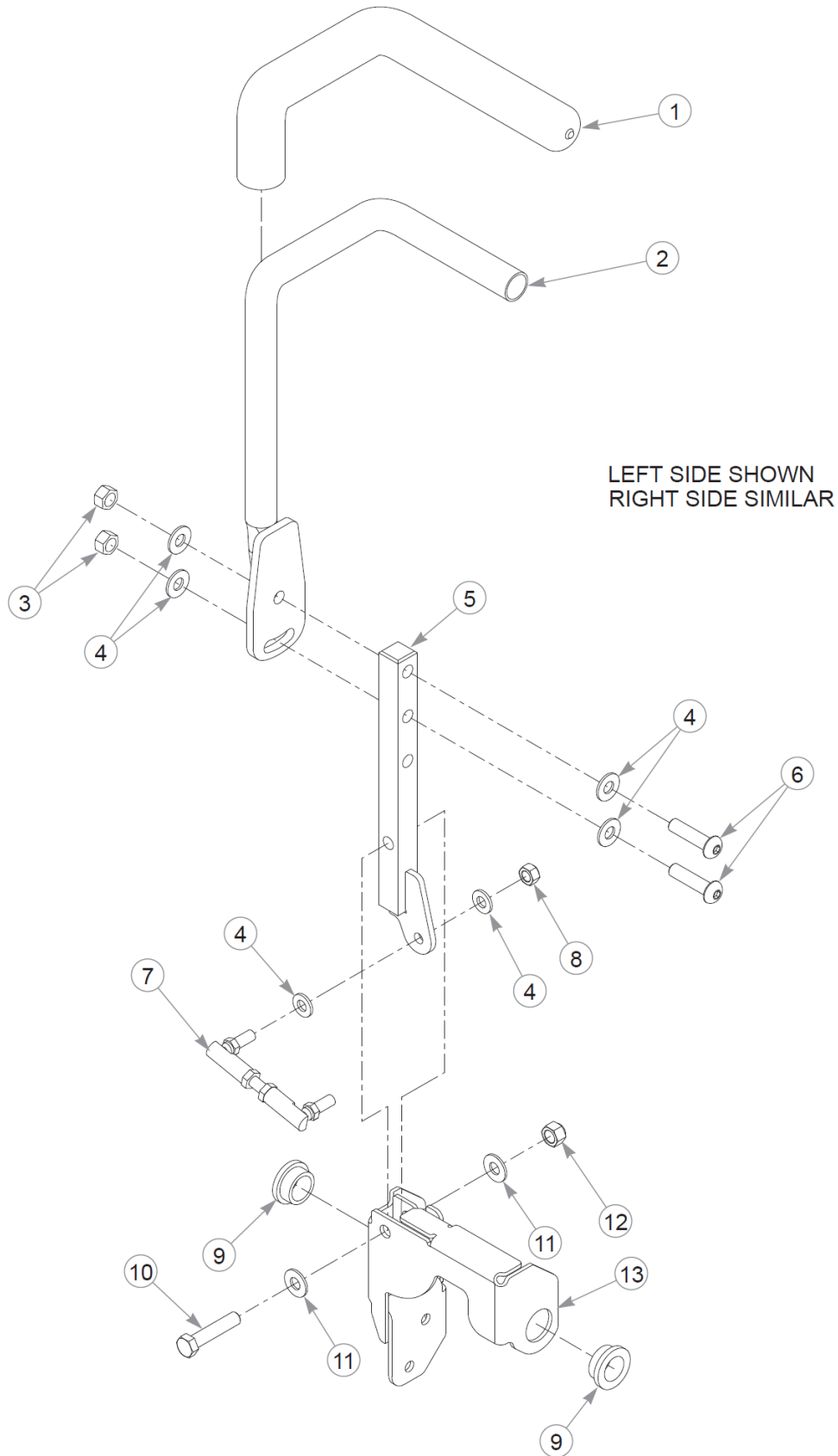
Item	Part No.	Qty	Name
1	600221	2	DAMPER, STEERING
2	781922	4	BALL STUD
3	768523	17	FW 0.343SAE
4	023655	4	NT 0.312-24 NL G8
5	784439	2	LOCK COLLAR,0.757 ID(FS)
6	600981	2	PUMP ROD ASSEMBLY
7	034272	4	NT .312-18HXG5
8	034280	1	CS .312-18X0.750HXG5
9	110014	1	PIVOT TUBE ASSEMBLY
10	029876	2	LW .312 INTEXT ZN
11	601426	1	CAP LOCK

Comments for Page: Steering

1. Service parts for Damper:

601425 CONNECTOR BODY

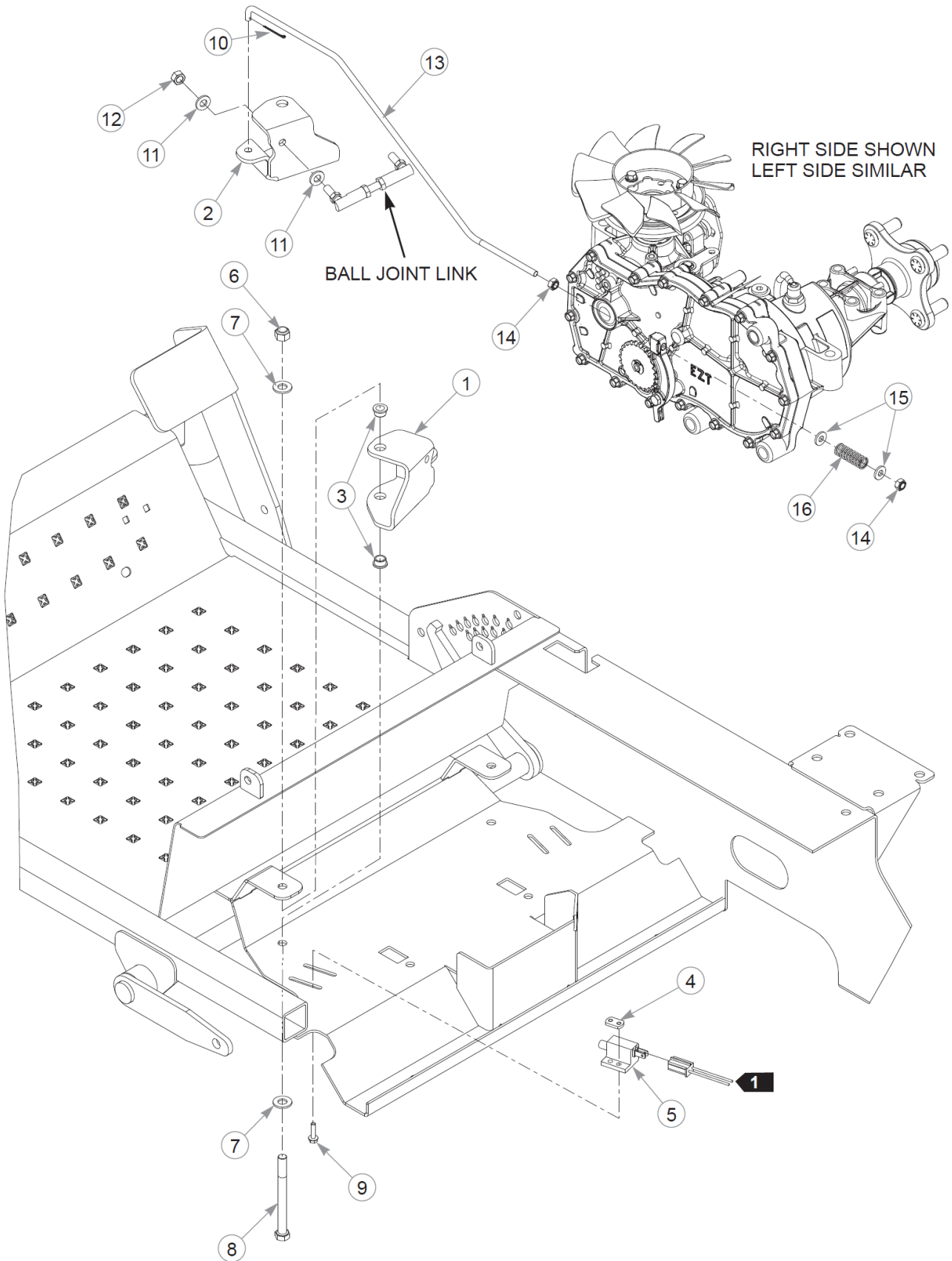
601426 CAP LOCK



Item	Part No.	Qty	Name
1	781260	2	GRIP, STEERING BAR
2	110370	2	STEERING BAR W/ GRIP
3	054502	4	NT .375-16HXG5
4	767954	12	FW 0.379X.82X.06 HD ZN
5	110089	2	CONTROL LEVER W/A LH
6	604816	4	CS .375-16X1.5 BH ZN
7	796615	2	BALL JOINT LINK
8	023655	2	NT 0.312-24 NL G8
9	770867	4	BUSHING, PLAS .750x1(FS)
10	705178	2	CS .375-16X1.750HXG5
11	768523	4	FW 0.343SAE
12	086660	2	NT .375-16NLG8
13	110008	1	STEERING BOX LH (PLATED)
Not Shown	110007	1	STEERING BOX RH (PLATED)

Comments for Page: Steering Assembly

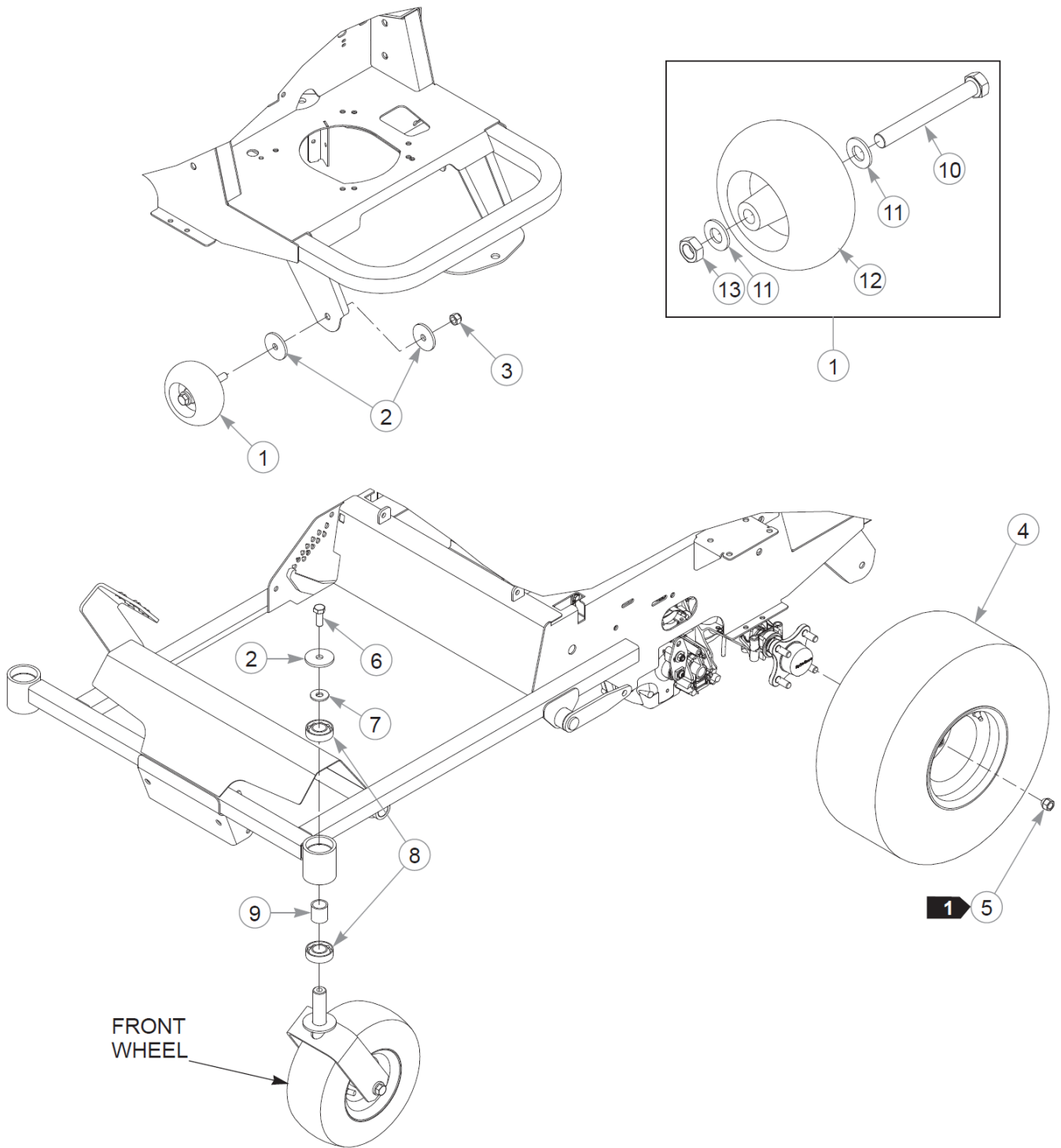
1. Left side steering sub-assembly is shown; the right side is similar.
2. Steering Bar includes Steering Bar Grip.



Item	Part No.	Qty	Name
1	110001	1	BRAKE ACTUATOR LH
2	110000	1	BRAKE ACUTATOR RH
3	765339	4	BUSHING,IGUS#0608 (FS)
4	601822	2	NUT PLATE, .420 CENTERS
5	781211	2	SWITCH, PUSH BUTTON
6	086660	2	NT .375-16NLG8
7	767954	4	FW 0.379X.82X.06 HD ZN
8	725796	2	CS .375-16X4.000HXG5
9	063198	4	CS #10-24X0.750FLKG5
10	048553	2	CP .062DX1.000 LG HML Z
11	768523	8	FW 0.343SAE
12	023655	2	NT 0.312-24 NL G8
13	110009	2	BRAKE ACTUATOR ROD
14	068551	4	NT .250-20 HXZY NL
15	768515	4	FW 0.281SAE
16	601131	2	SPRING, BRAKE ARM RET.

Comments for Page: Park Brake

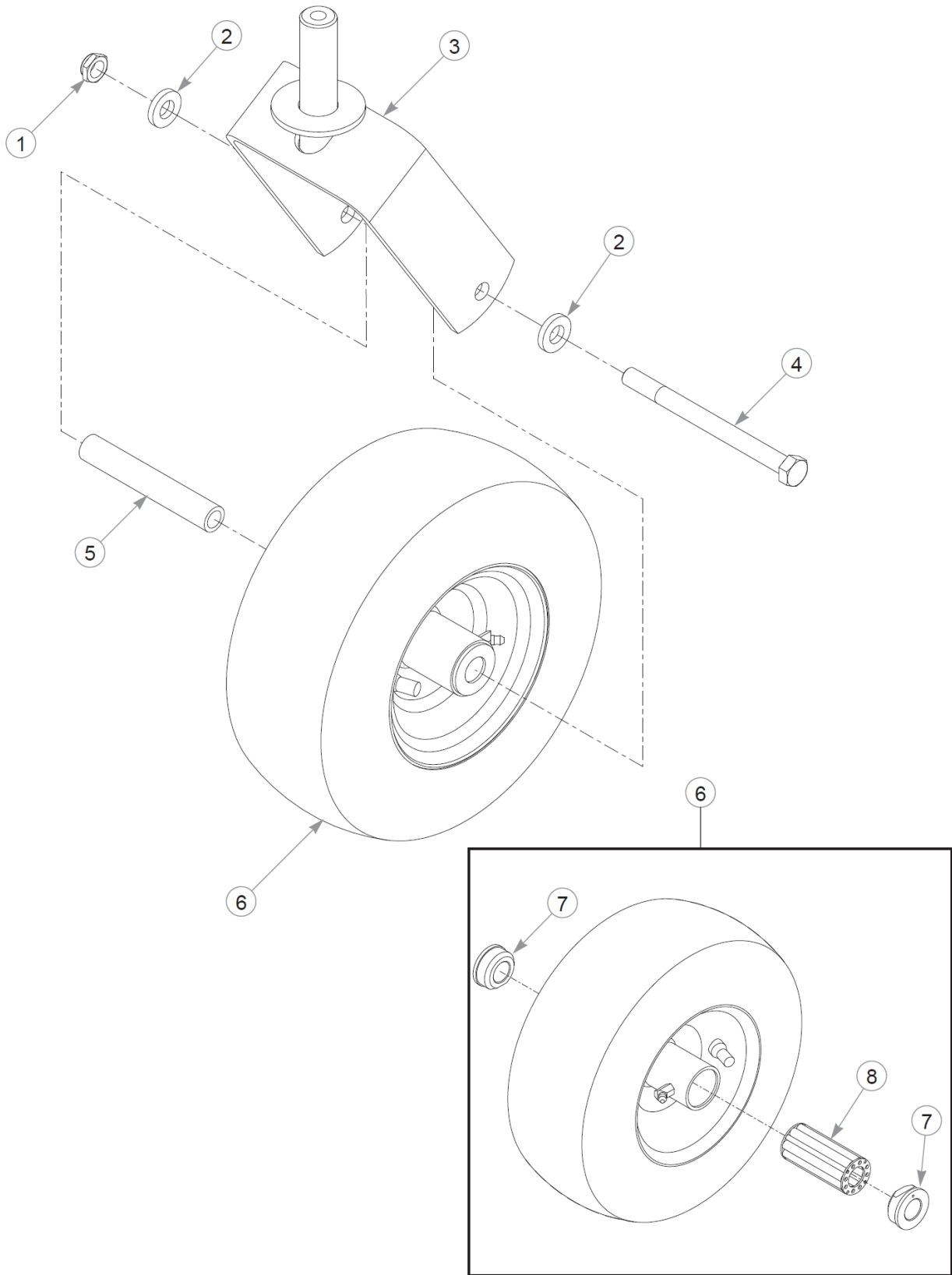
1. Part of the wire harness.



Item	Part No.	Qty	Name
1	788166	2	WHEEL ASSY, ANTI SCALP
2	344267	6	FW .510X2.15X.19 ZN
3	781567	4	NT .500-13NLG5
4	601810	2	TIR/WHL 18X8.50-8 SLV
Not Shown	604502	2	TIRE/WHL ASSY, 20 X 6.50
5	061077	8	WHEEL NUT
6	705954	2	CS .500-13X1.25 HX G5 ZN
7	712976	2	FW 0.531X1.38X.12 ZN
8	784223	4	BEARING
9	784603	2	SPACER
10	781708	2	CS .500-13X4.25 HX G5 ZN
11	767962	4	FW .531 x 1.063 x .175
12	031997	2	ANTI-SCALP WHEEL
13	053199	2	NT .500-13JAMG5

Comments for Page: Wheel & Tire

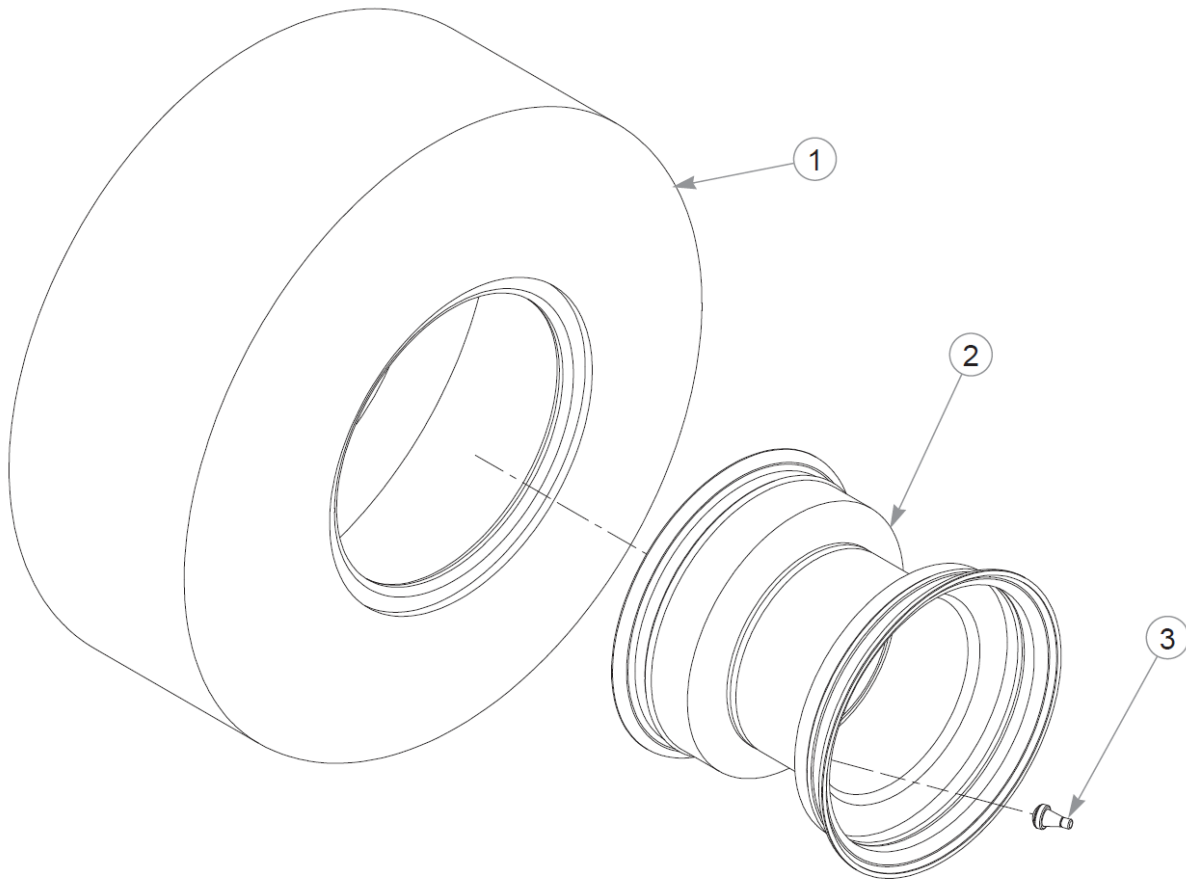
1. Torque to 88–102 N•m.
2. The plastic wheel assembly includes hardware.
3. 601810 is used with 42" & 48" side discharge mowers.
4. 604502 is used with 36" rear discharge mowers.



Front Wheel Assembly Breakdown

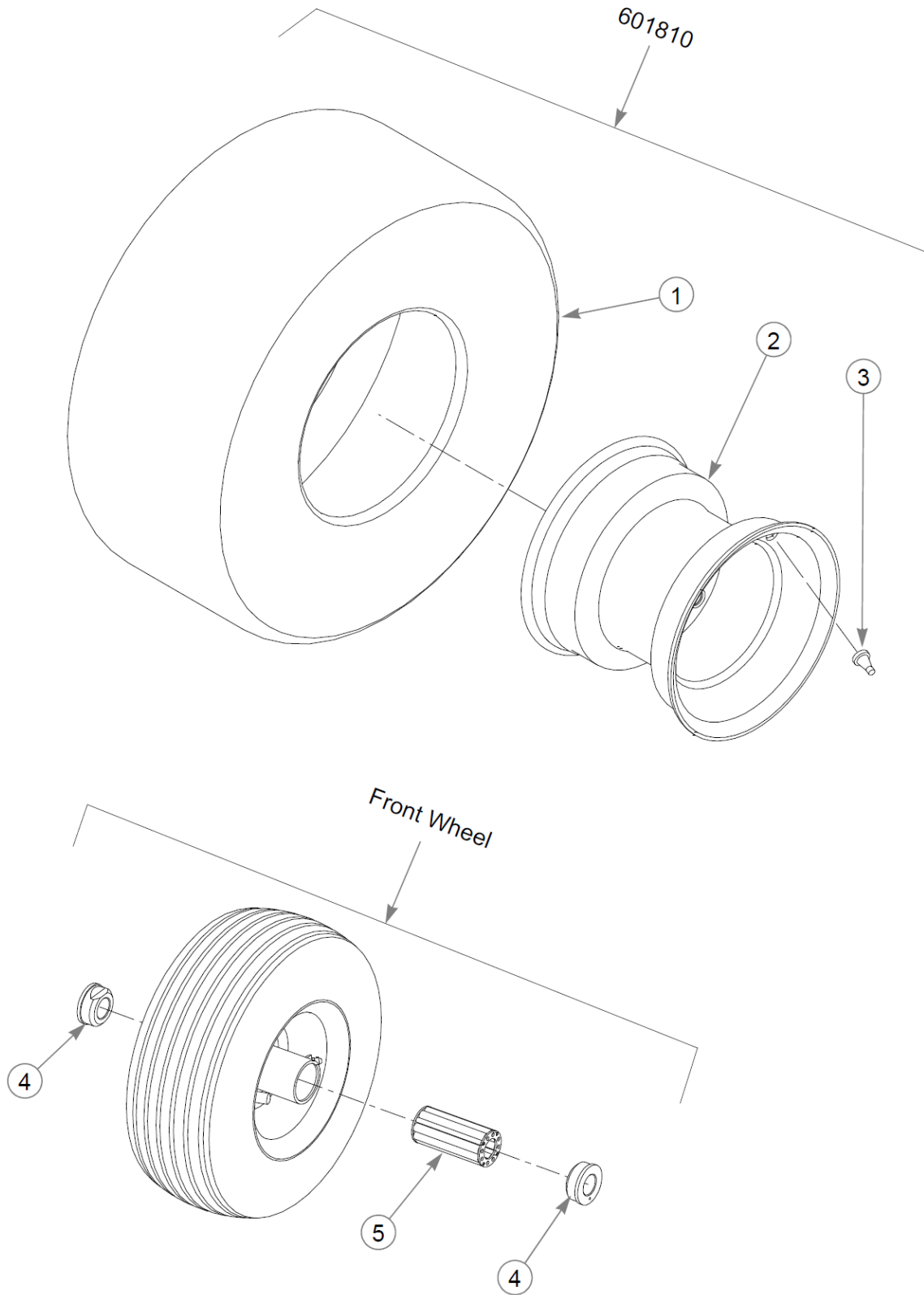
Sport CE Parts Manual (S/N 11010000 & HIGHER)

Item	Part No.	Qty	Name
1	707398	1	NT .500-13 JAM NY LK
2	767962	2	FW .531 x 1.063 x .175
3	110116	1	CASTER FORK W/A
4	604718	1	CS .500-13X6.00 HX G5 ZN
5	306969	1	GAGE WHEEL SPACER
6	605113	1	TIR/WHL 11X4.00-5 SLV
Not Shown	768044	1	T/W 11X4.00-5 RIBBED
7	772806	2	BEARING CAP
8	772814	1	BEARING, 3/4" ROLLER

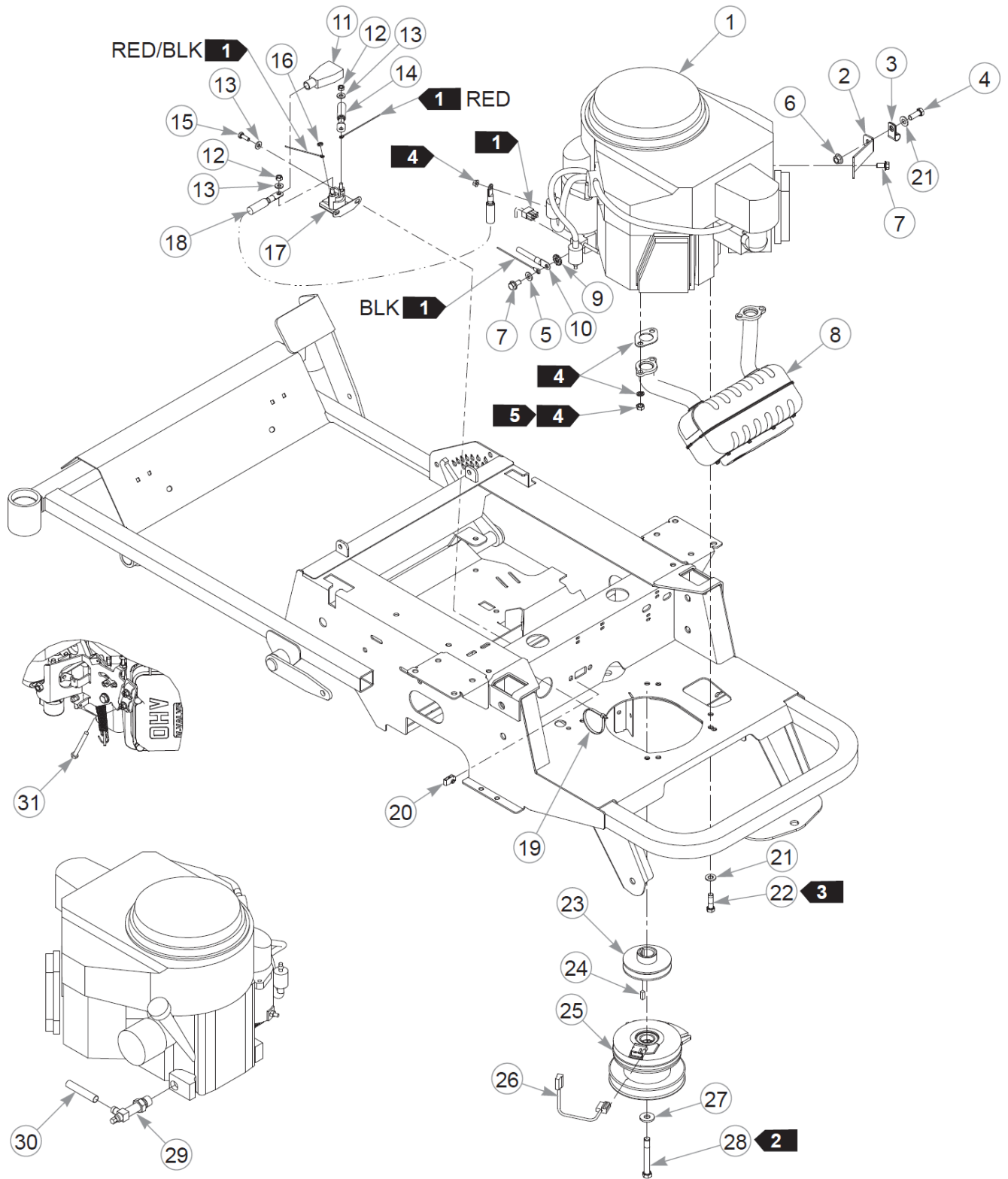


Drive Wheel Breakdown - 36" Rear Discharge Mowers Sport CE Parts Manual (S/N 11010000 & HIGHER)

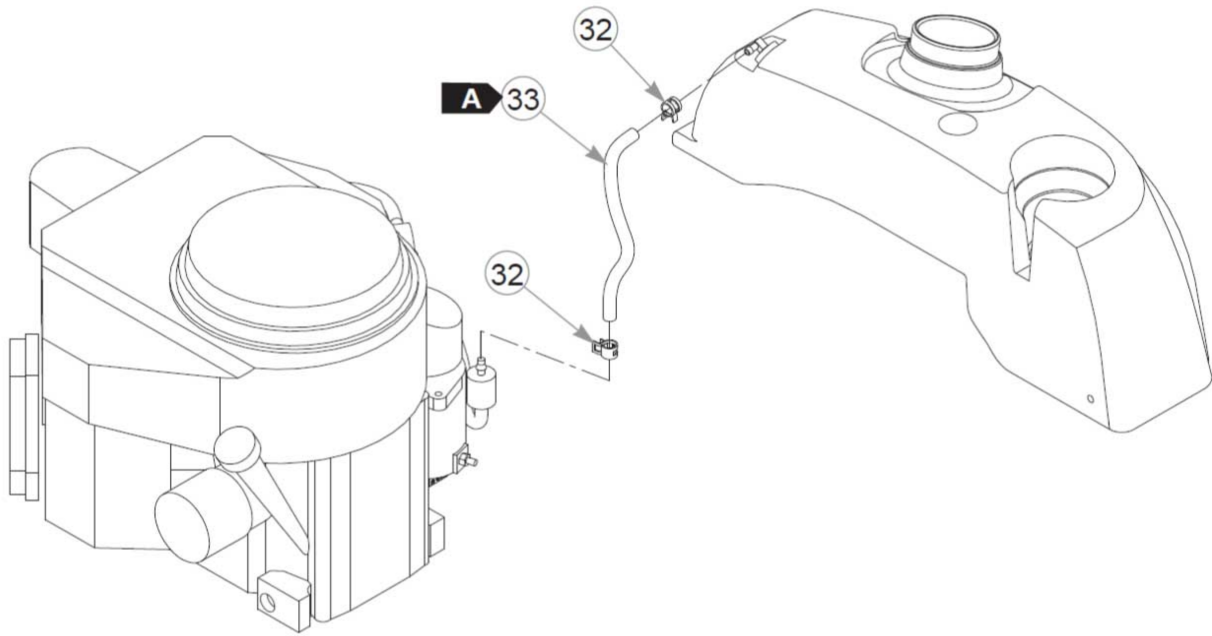
Item	Part No.	Qty	Name
1	604503	1	TIR 20X6.50-10 B4R GRMR
2	604504	1	WHEEL 10 X 5.375, 4 BOLT
3	019521	1	TIRE VALVE TR-412 GOODY



Item	Part No.	Qty	Name
1	601821	1	TIRE 18 X 8.5
2	601820	1	WHL 8X6.93 4X4.0 SLV
3	019521	1	TIRE VALVE TR-412 GOODY



This page intentionally left blank



Item	Part No.	Qty	Name
1		1	ENGINE, KAW FR541V
Not Shown		1	ENGINE, KAW FR600V
2	113970	1	CABLE GUIDE
3	000398	1	CLAMP
4	036244	1	CS .375-16X1.00 HX G5 ZN
5	768523	1	FW 0.343SAE
6	016899	1	NT .375-16 FLKG5
7	720516	3	CS M8-1.25X16HX FL10.9
8	602999	1	MUFFLER, FR600V RITEFLO
9	029876	1	LW .312 INTEXT ZN
10	601841	1	BATTERY CABLE, NEG.
11	771428	1	BATTERY CBL BOOT-RED(FS)
12	024927	2	NT .250-20HXG5
13	768515	4	FW 0.281SAE
14	601062	1	BATTERY CABLE, POS.
15	055939	2	CS .250-20X0.75 HX G5 ZN
16	044255	1	NT #10-32HXG5
17	030817	1	STARTER SOLENOID
18	792762	1	BATTERY CABLE, POS red
19	000331	2	WIRE TIE, SMALL/SHORT
20	601982	2	CN .250-20X .150 MAX THK
21	767954	5	FW 0.379X.82X.06 HD ZN
22	602580	4	CS .375-16X1.25HXG8ZYP85
23	793760	1	PULLEY,ENGINE-HYDRO DRI
24	712372	1	KEY 1/4 SQ X 0.66 LG(FS)
25	601801K	1	CLUTCH KIT
26	791251	1	HARNES, CLUTCH PIGTAIL
Comments for Part Num. 791251			
Pigtail was updated with epoxy to hold the wires steady. The wire sheath was also updated to a more flexible material.			
27	602680	1	FW .453X1.12X.12 HRD ZN
28	601834	1	CS .437-20X3.25 HXG5 P85
29	796524	1	VALVE,OIL DRAIN M20x2.5
30	604463	8 cm	HOSE, OIL DRAIN
31	603524	1	CS M5-0.8 X 50 MM
32	000323	2	CLIP, HOSE CLAMP

This page intentionally left blank

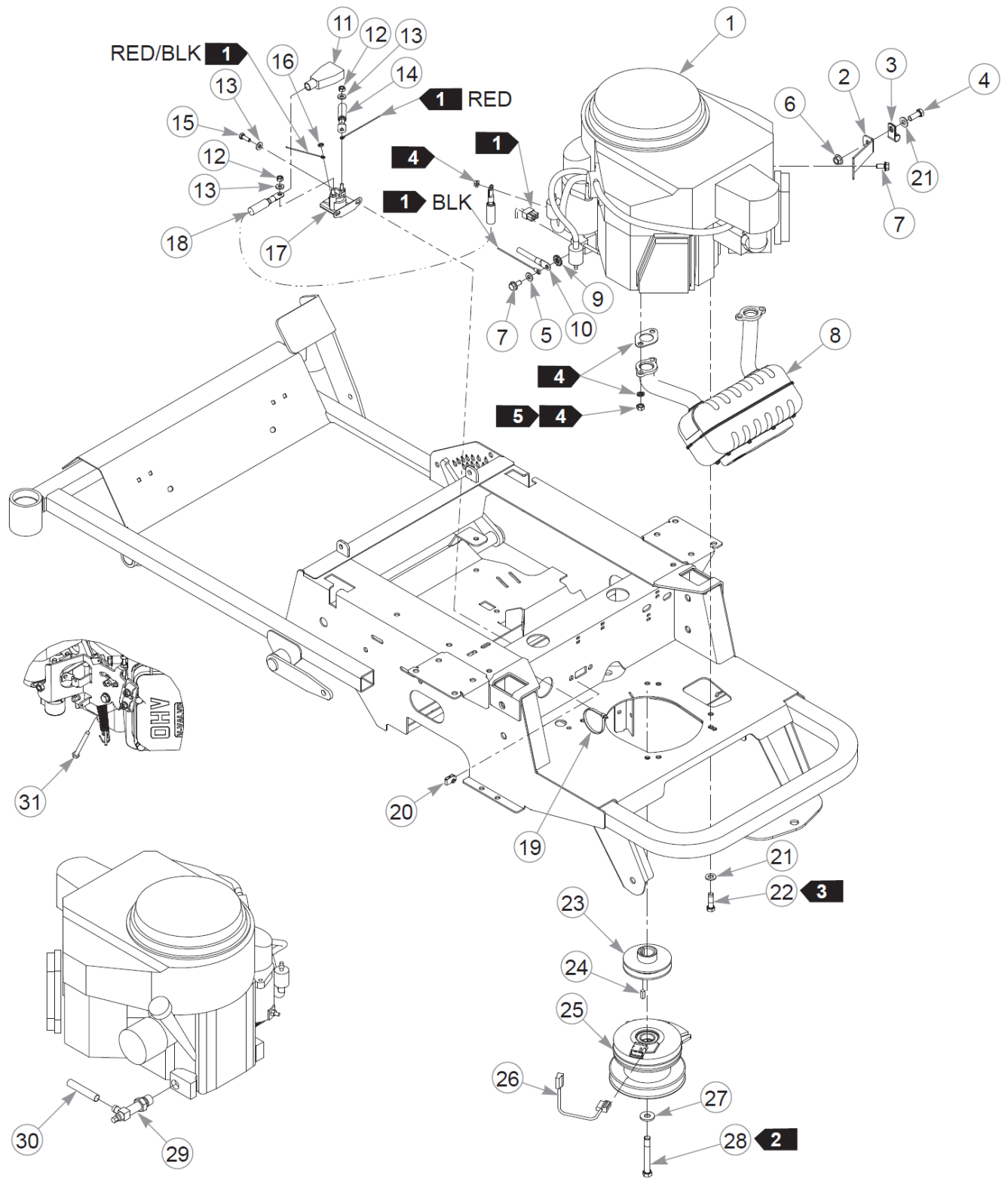
Item	Part No.	Qty	Name
33	015818	13 cm	FUEL LINE, 1/4"
<p>Comments for Part Num. 015818</p> <p>Sold by the foot.</p>			

Comments for Page: Engine, Kawasaki FR541V & FR600V - S/N 12030001 & Higher

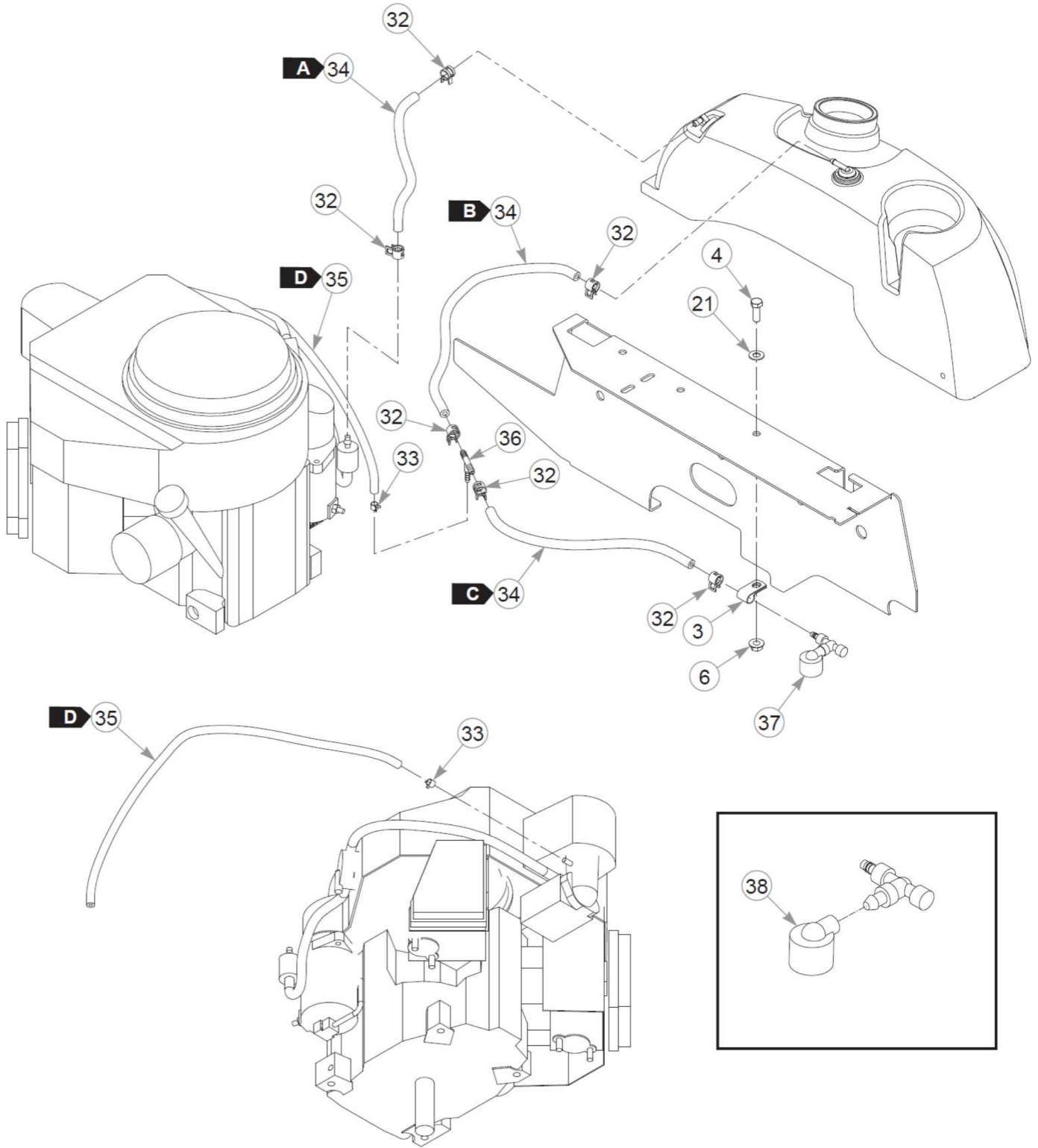
1. Part of the wire harness.
2. Torque to 61–65 N•m. Replace (do not reuse) the capscrew if it's removed or loosened. Use only hand tools to install this fastener.
3. Torque to 41–47 N•m. Replace (do not reuse) the capscrew if it's removed or loosened. Use only hand tools to install this fastener.
4. Supplied with the engine.
5. Torque to 30 N•m.

FUEL LINE LENGTH

A: 13 cm fuel line from the tank to the fuel filter



This page intentionally left blank



Item	Part No.	Qty	Name
1		1	ENGINE, KAW FR541V
Not Shown		1	ENGINE, KAW FR600V
2	113970	1	CABLE GUIDE
3	000398	2	CLAMP
4	036244	2	CS .375-16X1.00 HX G5 ZN
5	768523	1	FW 0.343SAE
6	016899	2	NT .375-16 FLKG5
7	720516	3	CS M8-1.25X16HX FL10.9
8	602999	1	MUFFLER, FR600V RITEFLO
9	029876	1	LW .312 INTEXT ZN
10	601841	1	BATTERY CABLE, NEG.
11	771428	1	BATTERY CBL BOOT-RED(FS)
12	024927	2	NT .250-20HXG5
13	768515	4	FW 0.281SAE
14	601062	1	BATTERY CABLE, POS.
15	055939	2	CS .250-20X0.75 HX G5 ZN
16	044255	1	NT #10-32HXG5
17	030817	1	STARTER SOLENOID
18	792762	1	BATTERY CABLE, POS red
19	000331	3	WIRE TIE, SMALL/SHORT
20	601982	2	CN .250-20X .150 MAX THK
21	767954	6	FW 0.379X.82X.06 HD ZN
22	602580	4	CS .375-16X1.25HXG8ZYP85
23	793760	1	PULLEY,ENGINE-HYDRO DRI
24	712372	1	KEY 1/4 SQ X 0.66 LG(FS)
25	601801K	1	CLUTCH KIT
26	791251	1	HARNES, CLUTCH PIGTAIL
<p>Comments for Part Num. 791251</p> <p>Pigtail was updated with epoxy to hold the wires steady. The wire sheath was also updated to a more flexible material.</p>			
27	602680	1	FW .453X1.12X.12 HRD ZN
28	601834	1	CS .437-20X3.25 HXG5 P85
29	796524	1	VALVE,OIL DRAIN M20x2.5
30	787713	8 cm	HOSE, 1/2" LOW PRESSURE
31	603524	1	CS M5-0.8 X 50 MM
32	000323	2	CLIP, HOSE CLAMP

This page intentionally left blank

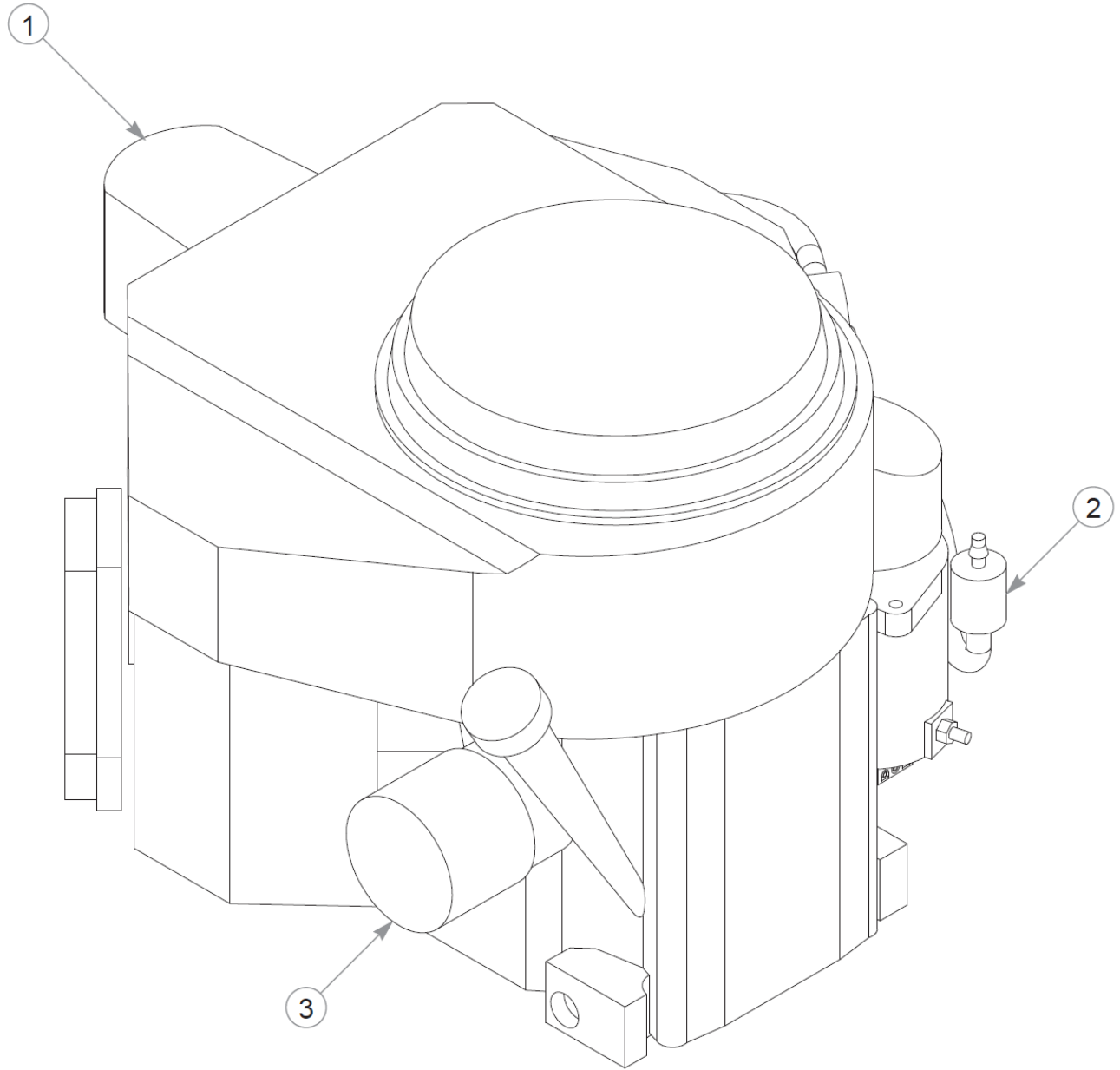
Item	Part No.	Qty	Name
33	603112	2	CLAMP, 3/16 FUEL
34	015818	102 cm	FUEL LINE, 1/4"
Comments for Part Num. 015818 Sold by the foot.			
35	603326	61 cm	VAPOR LINE, 3/16"
Comments for Part Num. 603326 Sold by the foot.			
36	603025	1	TEE, 1/4x1/4x3/16
37	603283	1	VACUUM BREAKER
38	603161	1	VACUUM BREAKER FILTER

Comments for Page: Engine, Kawasaki FR541V & FR600V - S.N Prior to 12030001

1. Part of the wire harness.
2. Torque to 61–65 N•m. Replace (do not reuse) the capscrew if it's removed or loosened. Use only hand tools to install this fastener.
3. Torque to 41–47 N•m. Replace (do not reuse) the capscrew if it's removed or loosened. Use only hand tools to install this fastener.
4. Supplied with the engine.
5. Torque to 30 N•m.

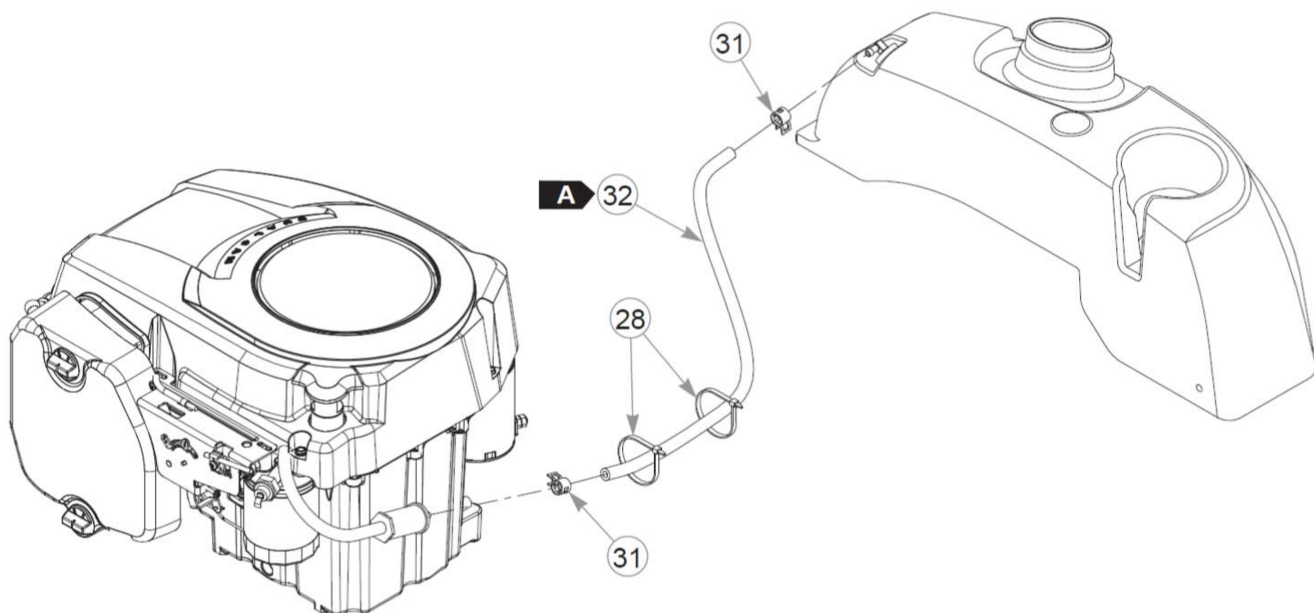
FUEL & VAPOR LINE LENGTHS

- A: 13 cm fuel line from the tank to the fuel filter
- B: 56 cm vapor line from the tank to the vapor tee
- C: 33 cm vapor line from the vapor tee to the vacuum breaker
- D: 61 cm vapor line from the vapor tee to the engine purge port



Item	Part No.	Qty	Name
1	604240	1	AIR FILTER, KAW W/CLAMP
2	068478	1	FUEL FILTER - IN LINE
3	602581	1	ENGINE OIL FILTER

This page intentionally left blank



Engine, Kohler SV590 - S/N 12030001 & Higher Sport CE Parts Manual (S/N 11010000 & HIGHER)

Item	Part No.	Qty	Name
1		1	KOHLER SV590 ENGINE
2	024927	3	NT .250-20HXG5
3	768515	6	FW 0.281SAE
4	601062	1	BATTERY CABLE, POS.
5	044255	1	NT #10-32HXG5
6	055939	2	CS .250-20X0.75 HX G5 ZN
7	601840	1	BATTERY CABLE, POS.
8	771428	1	BATTERY CBL BOOT-RED(FS)
9	030817	1	STARTER SOLENOID
10	058776	1	NT .312-18NLG5
11	768523	2	FW 0.343SAE
12	601841	1	BATTERY CABLE, NEG.
13	029876	1	LW .312 INTEXT ZN
14	055947	1	CS .250-20X0.50 HX G5 ZN
15	017004	2	LW0.312SPLIT
16	704478	2	CS .312-18X .75 SKTHD B
17	785543	1	HONDA (20) GASKET, MUFF
18	602325	1	MUFFLER, KOHLER SV590
19	602380	1	ISOLATOR, ENGINE MUFFLER
20	601982	2	CN .250-20X .150 MAX THK
21	038828	1	CS .312-18X2.250HXG5
22	792788	3	SC0.375-16X1.000FLG
23	793760	1	PULLEY,ENGINE-HYDRO DRI
24	712372	1	KEY 1/4 SQ X 0.66 LG(FS)
25	601801K	1	CLUTCH KIT
26	602680	1	FW .453X1.12X.12 HRD ZN
27	601834	1	CS .437-20X3.25 HXG5 P85
28	000331	3	WIRE TIE, SMALL/SHORT
29	791251	1	HARNES, CLUTCH PIGTAIL
<p>Comments for Part Num. 791251</p> <p>Pigtail was updated with epoxy to hold the wires steady. The wire sheath was also updated to a more flexible material.</p>			
30	796516	1	VALVE,OIL DRAIN 3/8-18
31	000323	6	CLIP, HOSE CLAMP
32	015818	30.5 cm	FUEL LINE, 1/4"

This page intentionally left blank

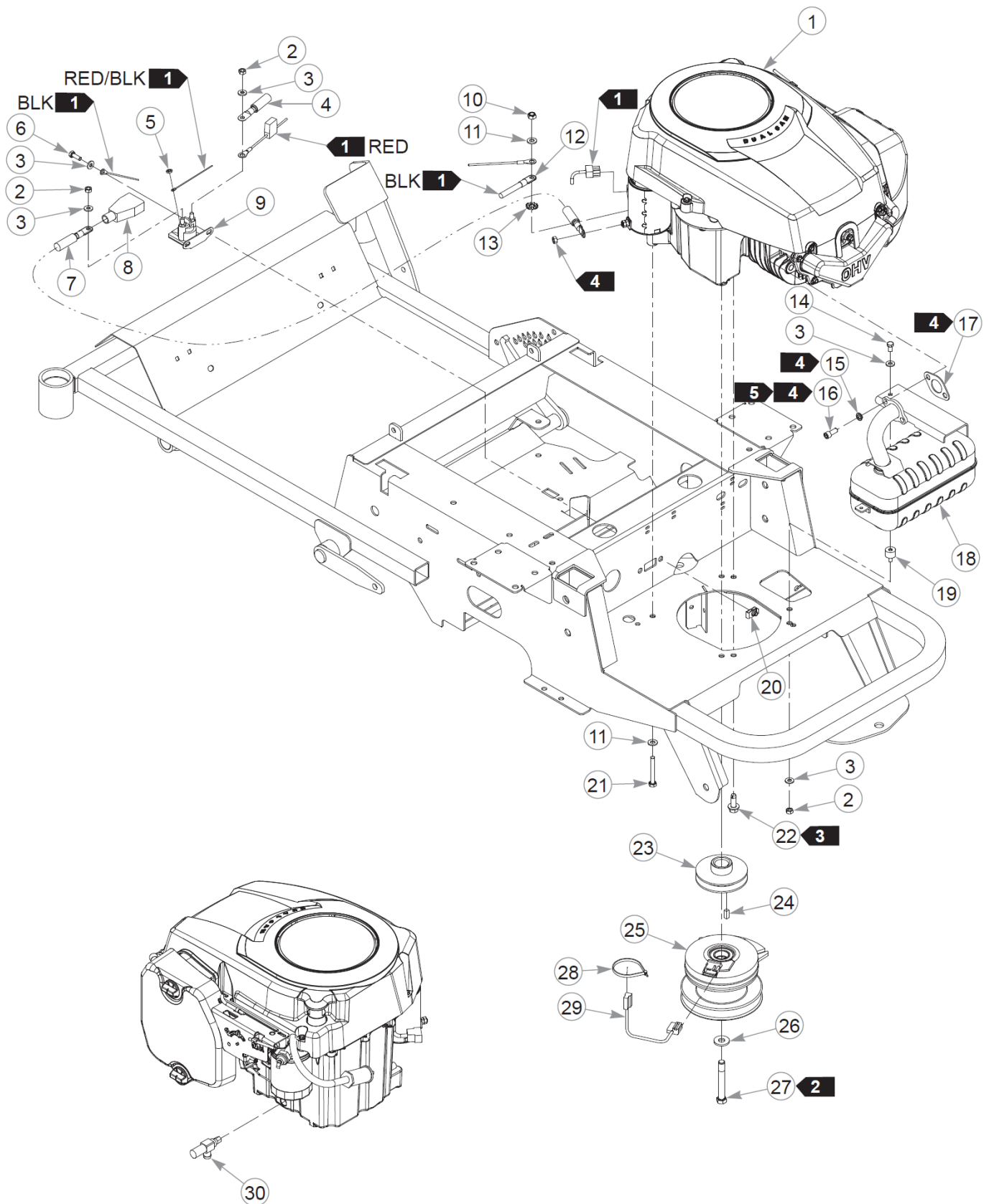
Item	Part No.	Qty	Name
Comments for Part Num. 015818			
Sold by the foot.			

Comments for Page: Engine, Kohler SV590 - S/N 12030001 & Higher

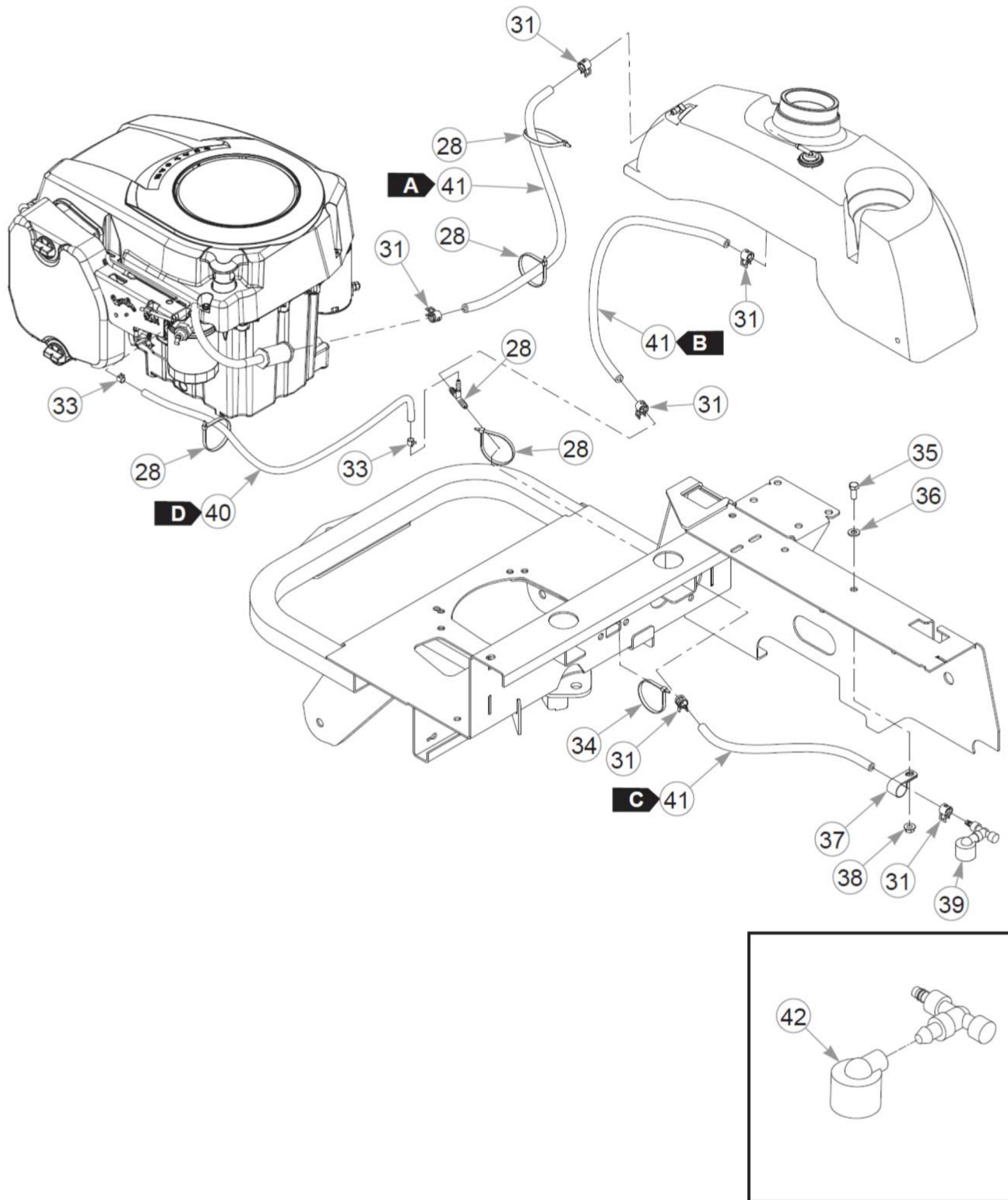
1. Part of the wire harness.
2. Torque to 61–65 N•m. Replace (do not reuse) the cap screw if it's removed or loosened. Use only hand tools to install this fastener.
3. Torque to 41–47 N•m.
4. Supplied with the engine.
5. Torque to 24 N•m.
6. The clutch kit includes the pigtail.

FUEL LINE LENGTH

A: 30.5 cm fuel line from the fuel tank to the engine



This page intentionally left blank



Item	Part No.	Qty	Name
1		1	KOHLER SV590 ENGINE
2	024927	3	NT .250-20HXG5
3	768515	6	FW 0.281SAE
4	601062	1	BATTERY CABLE, POS.
5	044255	1	NT #10-32HXG5
6	055939	2	CS .250-20X0.75 HX G5 ZN
7	601840	1	BATTERY CABLE, POS.
8	771428	1	BATTERY CBL BOOT-RED(FS)
9	030817	1	STARTER SOLENOID
10	058776	1	NT .312-18NLG5
11	768523	2	FW 0.343SAE
12	601841	1	BATTERY CABLE, NEG.
13	029876	1	LW .312 INTEXT ZN
14	055947	1	CS .250-20X0.50 HX G5 ZN
15	017004	2	LW0.312SPLIT
16	704478	2	CS .312-18X .75 SKTHD B
17	785543	1	HONDA (20) GASKET, MUFF
18	602325	1	MUFFLER, KOHLER SV590
19	602380	1	ISOLATOR, ENGINE MUFFLER
20	601982	2	CN .250-20X .150 MAX THK
21	038828	1	CS .312-18X2.250HXG5
22	792788	3	SC0.375-16X1.000FLG
23	793760	1	PULLEY,ENGINE-HYDRO DRI
24	712372	1	KEY 1/4 SQ X 0.66 LG(FS)
25	601801K	1	CLUTCH KIT
26	602680	1	FW .453X1.12X.12 HRD ZN
27	601834	1	CS .437-20X3.25 HXG5 P85
28	000331	5	WIRE TIE, SMALL/SHORT
29	791251	1	HARNESS, CLUTCH PIGTAIL
<p>Comments for Part Num. 791251</p> <p>Pigtail was updated with epoxy to hold the wires steady. The wire sheath was also updated to a more flexible material.</p>			
30	796516	1	VALVE,OIL DRAIN 3/8-18
31	000323	6	CLIP, HOSE CLAMP
32	603025	1	TEE, 1/4x1/4x3/16
33	603112	2	CLAMP, 3/16 FUEL

This page intentionally left blank

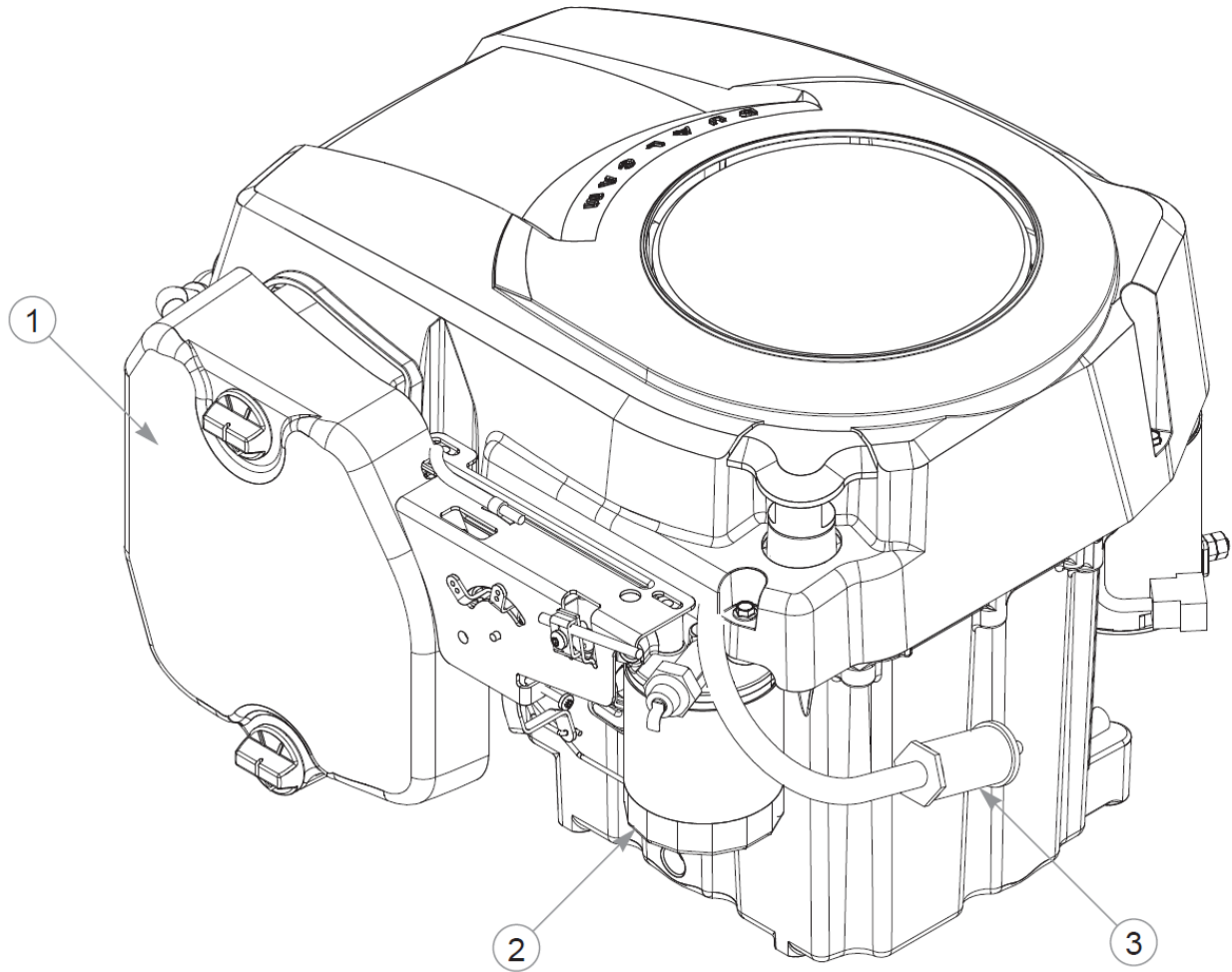
Item	Part No.	Qty	Name
34	000430	1	WIRE TIE, SMALL/LONG
35	036244	1	CS .375-16X1.00 HX G5 ZN
36	767954	1	FW 0.379X.82X.06 HD ZN
37	043570	1	CLIP - HOSE - SINGLE(FS)
38	016899	1	NT .375-16 FLKG5
39	603283	1	VACUUM BREAKER
40	603326	69 cm	VAPOR LINE, 3/16"
<p>Comments for Part Num. 603326</p> <p>Sold by the foot.</p>			
41	015818	120 cm	FUEL LINE, 1/4"
<p>Comments for Part Num. 015818</p> <p>Sold by the foot.</p>			
42	603161	1	VACUUM BREAKER FILTER

Comments for Page: Engine

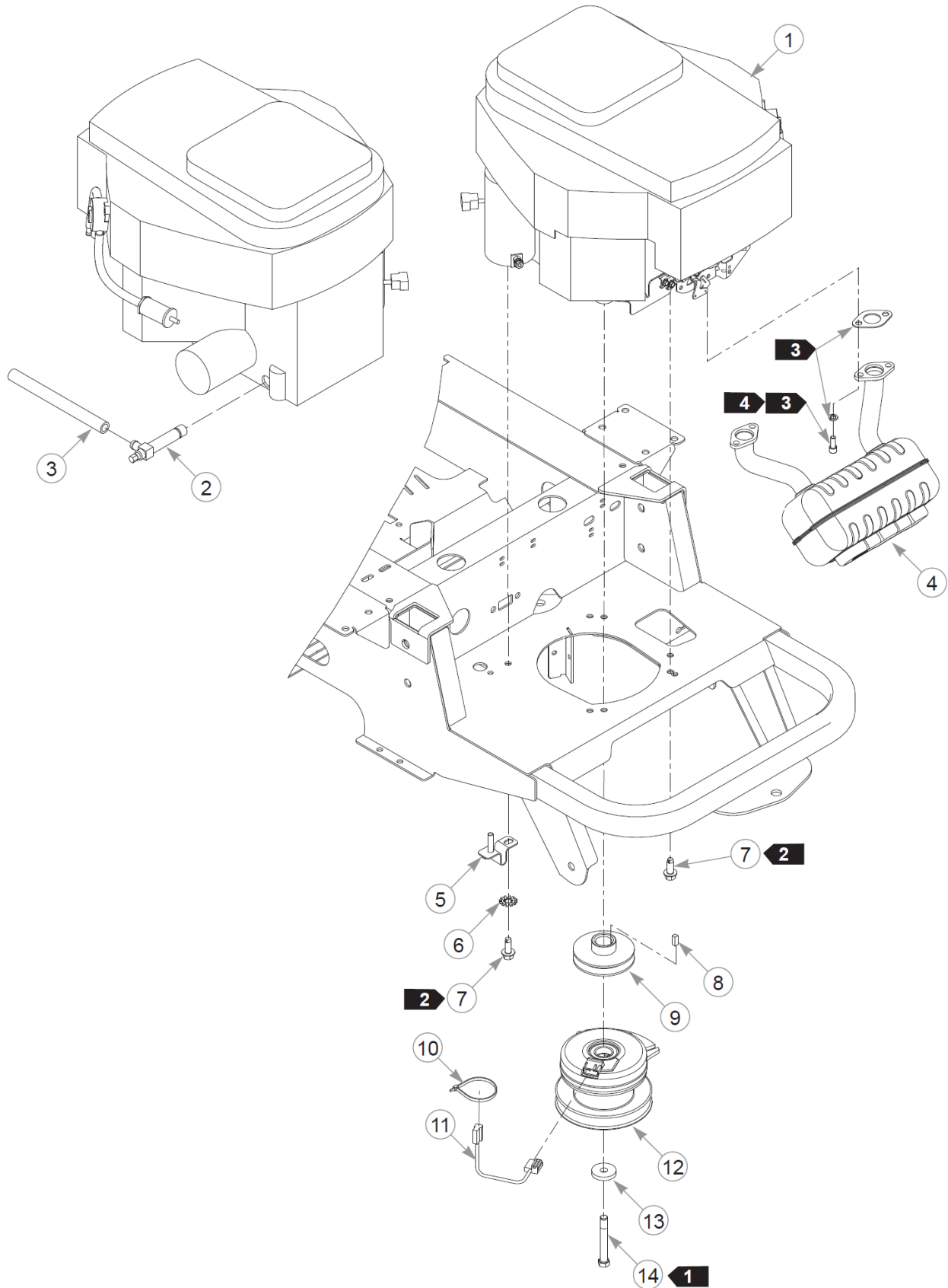
1. Part of the wire harness.
2. Torque to 61–65 N•m. Replace (do not reuse) the capscrew if it's removed or loosened. Use only hand tools to install this fastener.
3. Torque to 41–47 N•m. Replace (do not reuse) the capscrew if it's removed or loosened. Use only hand tools to install this fastener.
4. Supplied with the engine.
5. Torque to 24.4 N•m.

FUEL & VAPOR LINE LENGTHS

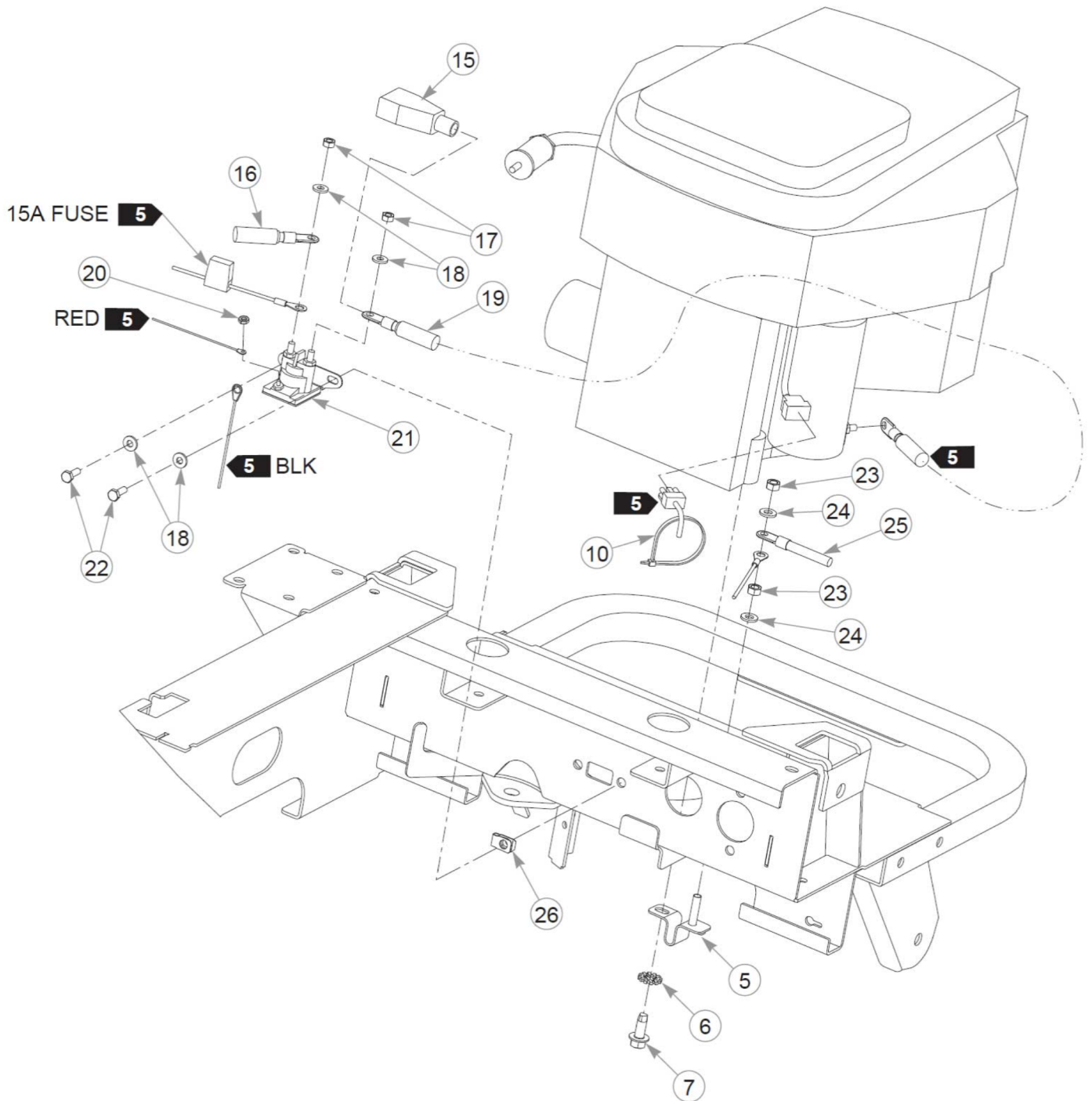
- A: 31 cm fuel line from the tank to the engine
- B: 56 cm vapor line from the tank to the vapor tee
- C: 33 cm vapor line from the vapor tee to the vacuum breaker
- D: 69 cm vapor line from the engine to the vapor tee



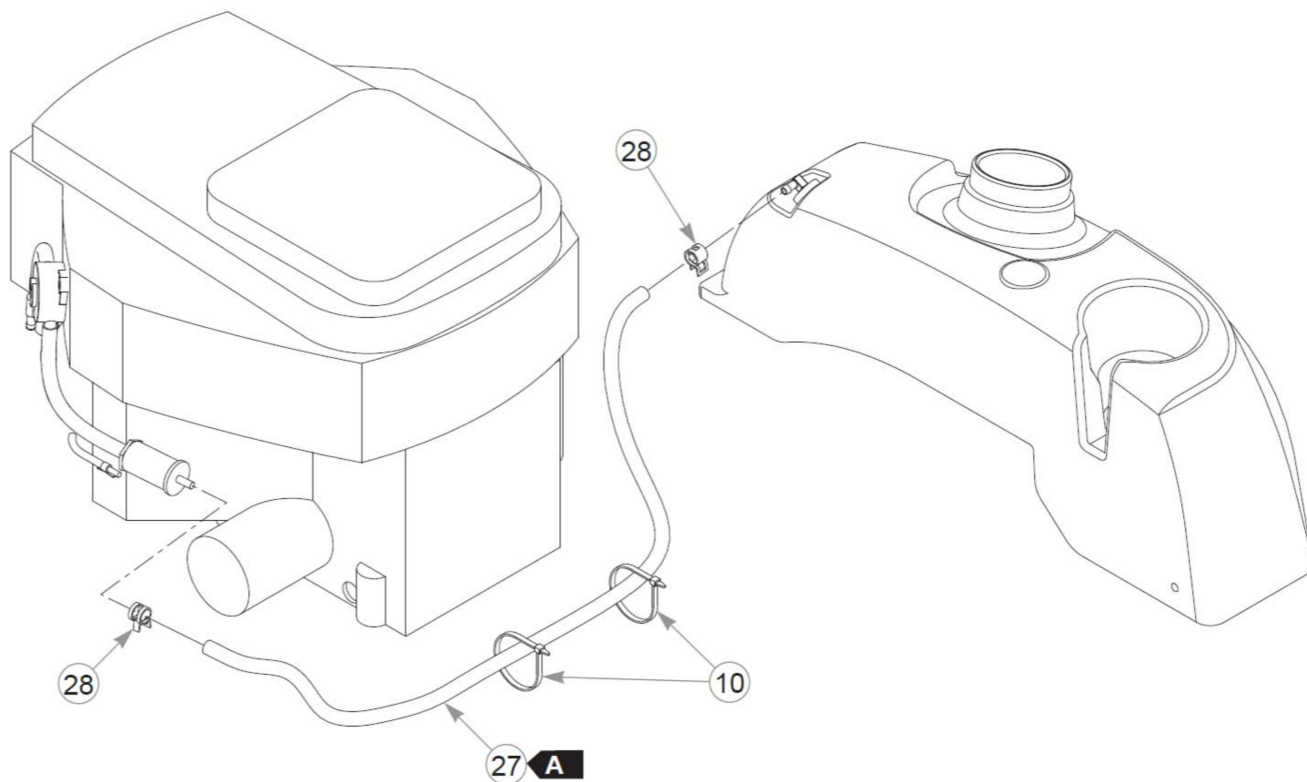
Item	Part No.	Qty	Name
1	794370	1	AIR FILTER, KOH COUR SNG
2	747303	1	ENGINE OIL FILTER
3	068478	1	FUEL FILTER - IN LINE



This page intentionally left blank



This page intentionally left blank



Engine, Kohler SV715 - S/N 12030001 & Higher Sport CE Parts Manual (S/N 11010000 & HIGHER)

Item	Part No.	Qty	Name
1		1	KOHLER SV715 ENGINE
2	796672	1	VALVE,OIL DRAIN 3/8-18
3	604463	8 cm	HOSE, OIL DRAIN
4	602320	1	MUFFLER, KOH SV715/725
5	112411	1	GROUND STRAP W/A
6	793885	1	LW .375 INTEXT ZN
7	792788	4	SC0.375-16X1.000FLG
8	712372	1	KEY 1/4 SQ X 0.66 LG(FS)
9	793760	1	PULLEY,ENGINE-HYDRO DRI
10	000331	3	WIRE TIE, SMALL/SHORT
11	791251	1	HARNES, CLUTCH PIGTAIL
<p>Comments for Part Num. 791251</p> <p>Pigtail was updated with epoxy to hold the wires steady. The wire sheath was also updated to a more flexible material.</p>			
12	601801K	1	CLUTCH KIT
13	602680	1	FW .453X1.12X.12 HRD ZN
14	601834	1	CS .437-20X3.25 HXG5 P85
15	771428	1	BATTERY CBL BOOT-RED(FS)
16	601062	1	BATTERY CABLE, POS.
17	024927	2	NT .250-20HXG5
18	768515	4	FW 0.281SAE
19	601840	1	BATTERY CABLE, POS.
20	044255	1	NT #10-32HXG5
21	030817	1	STARTER SOLENOID
22	055939	2	CS .250-20X0.75 HX G5 ZN
23	034272	2	NT .312-18HXG5
24	768523	2	FW 0.343SAE
25	601841	1	BATTERY CABLE, NEG.
26	601982	2	CN .250-20X .150 MAX THK
27	015818	79 cm	FUEL LINE, 1/4"
<p>Comments for Part Num. 015818</p> <p>Sold by the foot.</p>			
28	000323	2	CLIP, HOSE CLAMP

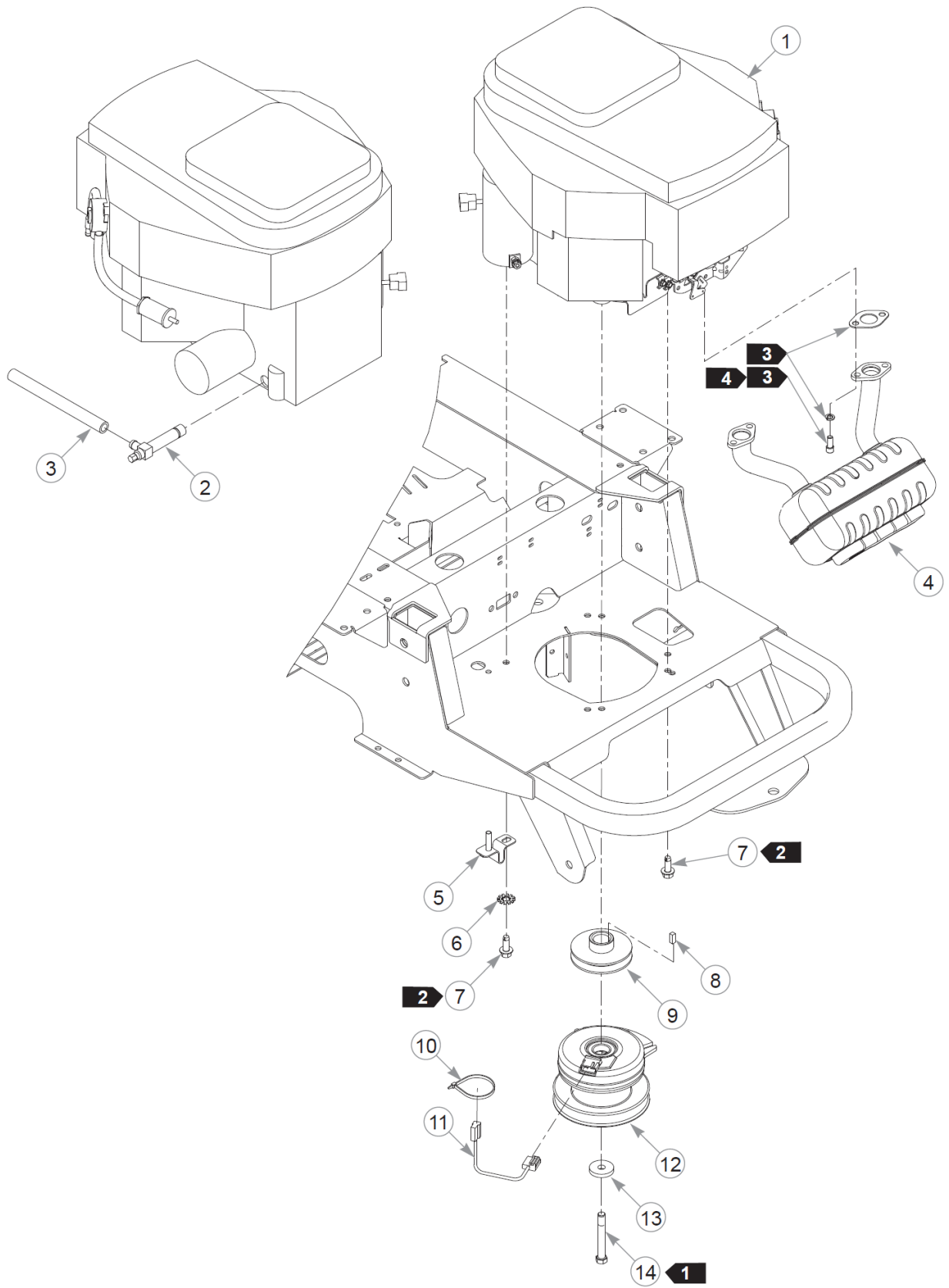
Comments for Page: Engine, Kohler SV715 - S/N 12030001 & Higher

1. Torque to 61–65 N•m. Replace (do not reuse) the capscrew if it's removed or loosened. Use only hand tools to install this fastener.
2. Torque to 41 N•m.
3. Supplied with the engine.
4. Torque to 24.4 N•m.
5. Part of the wire harness.
6. The clutch kit includes the pigtail.

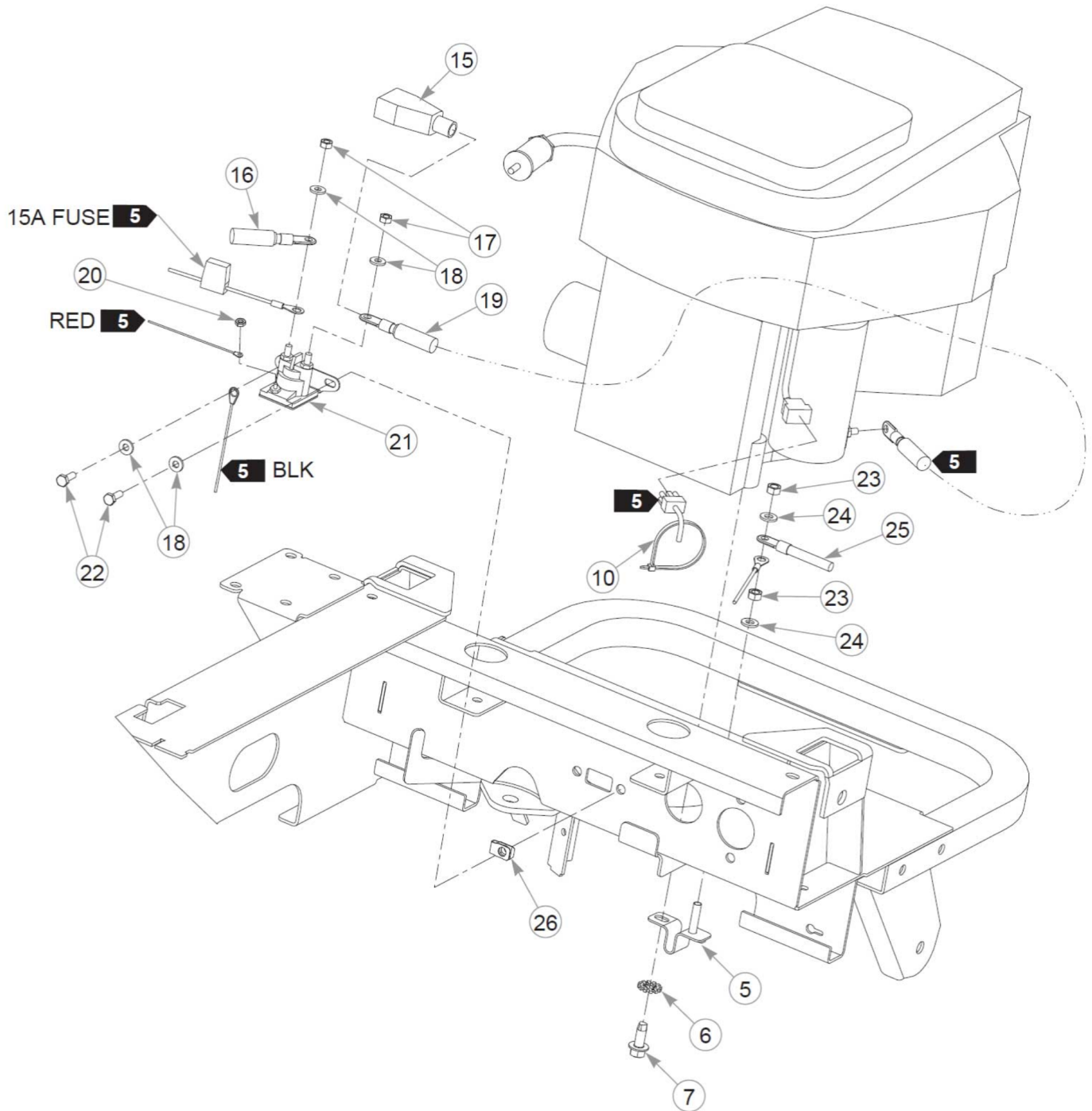
FUEL LINE LENGTH

A: 79 cm fuel line from the tank to the engine

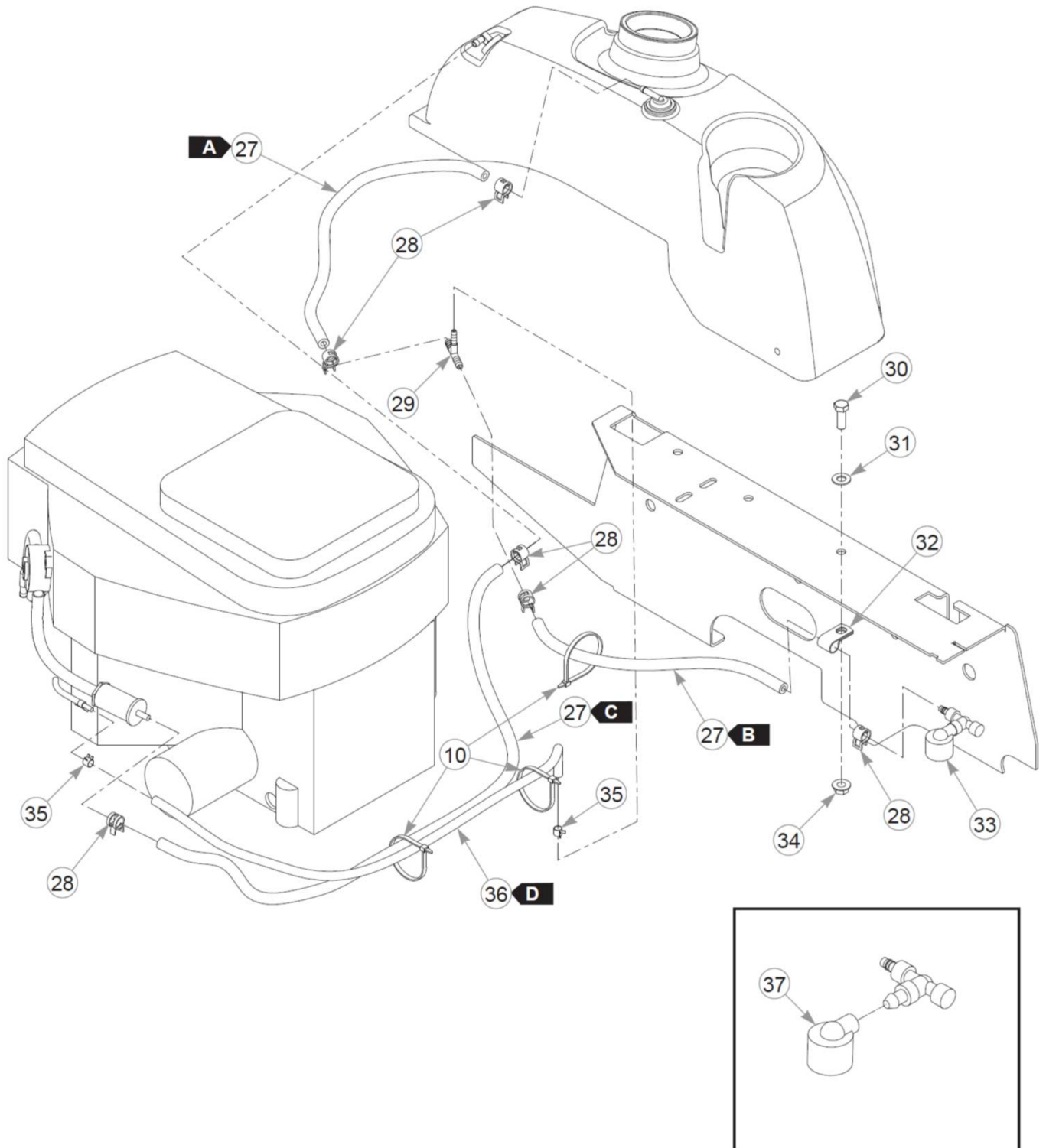
This page intentionally left blank



This page intentionally left blank



This page intentionally left blank



Item	Part No.	Qty	Name
1		1	KOHLER SV715 ENGINE
2	796672	1	VALVE,OIL DRAIN 3/8-18
3	104786	1	OIL DRAIN HOSE
4	602320	1	MUFFLER, KOH SV715/725
5	112411	1	GROUND STRAP W/A
6	793885	1	LW .375 INTEXT ZN
7	792788	4	SC0.375-16X1.000FLG
8	712372	1	KEY 1/4 SQ X 0.66 LG(FS)
9	793760	1	PULLEY,ENGINE-HYDRO DRI
10	000331	3	WIRE TIE, SMALL/SHORT
11	791251	1	HARNESS, CLUTCH PIGTAIL
<p>Comments for Part Num. 791251</p> <p>Pigtail was updated with epoxy to hold the wires steady. The wire sheath was also updated to a more flexible material.</p>			
12	601801K	1	CLUTCH KIT
13	602680	1	FW .453X1.12X.12 HRD ZN
14	601834	1	CS .437-20X3.25 HXG5 P85
15	771428	1	BATTERY CBL BOOT-RED(FS)
16	601062	1	BATTERY CABLE, POS.
17	024927	2	NT .250-20HXG5
18	768515	4	FW 0.281SAE
19	601840	1	BATTERY CABLE, POS.
20	044255	1	NT #10-32HXG5
21	030817	1	STARTER SOLENOID
22	055939	2	CS .250-20X0.75 HX G5 ZN
23	034272	2	NT .312-18HXG5
24	768523	2	FW 0.343SAE
25	601841	1	BATTERY CABLE, NEG.
26	601982	2	CN .250-20X .150 MAX THK
27	015818	168 cm	FUEL LINE, 1/4"
<p>Comments for Part Num. 015818</p> <p>Sold by the foot.</p>			
28	000323	2	CLIP, HOSE CLAMP
29	603025	1	TEE, 1/4x1/4x3/16
30	036244	1	CS .375-16X1.00 HX G5 ZN

This page intentionally left blank

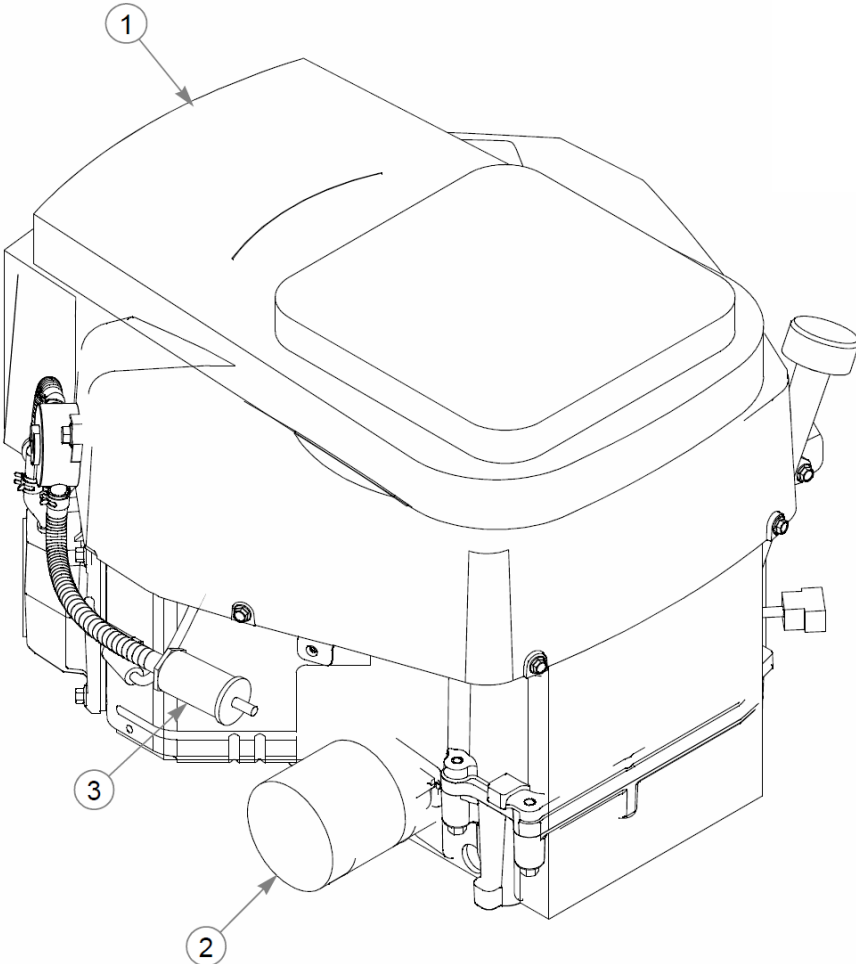
Item	Part No.	Qty	Name
31	767954	1	FW 0.379X.82X.06 HD ZN
32	000398	1	CLAMP
33	603283	1	VACUUM BREAKER
34	016899	1	NT .375-16 FLKG5
35	603112	2	CLAMP, 3/16 FUEL
36	603326	66 cm	VAPOR LINE, 3/16"
Comments for Part Num. 603326 Sold by the foot.			
37	603161	1	VACUUM BREAKER FILTER

Comments for Page: Engine, Kohler SV715 - S/N Prior to 12030001

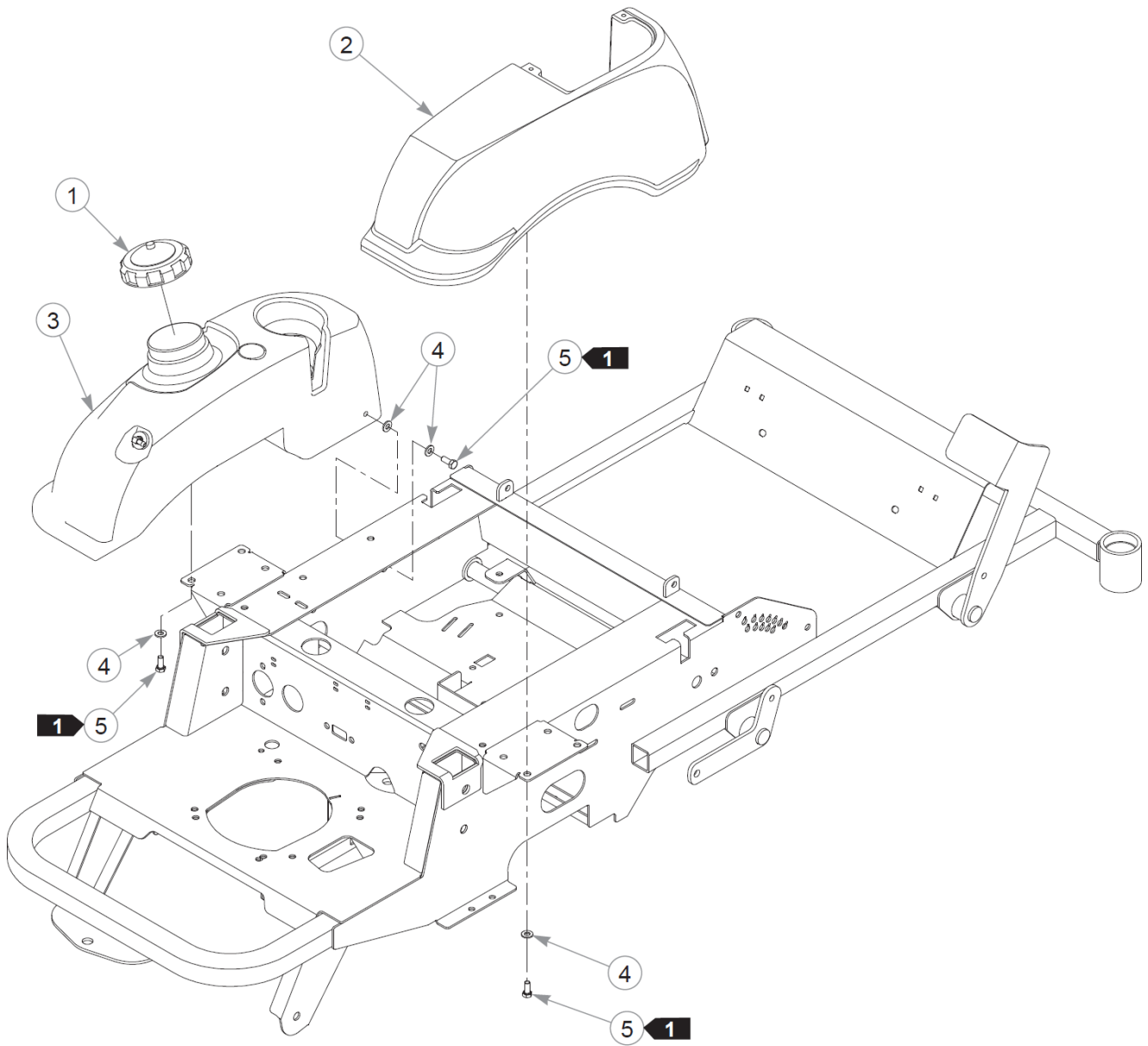
1. Torque to 61–65 N•m. Replace (do not reuse) the capscrew if it's removed or loosened. Use only hand tools to install this fastener.
2. Torque to 41 N•m.
3. Supplied with the engine.
4. Torque to 24.4 N•m.
5. Part of the wire harness.
6. The clutch kit includes the pigtail.

FUEL LINE LENGTH

- A: 56 cm fuel line from the tank to the vapor tee
- B: 33 cm vapor line from the vapor tee to the vacuum breaker
- C: 79 cm fuel line from the tank to the engine
- D: 66 cm vapor line from the vapor tee to the engine



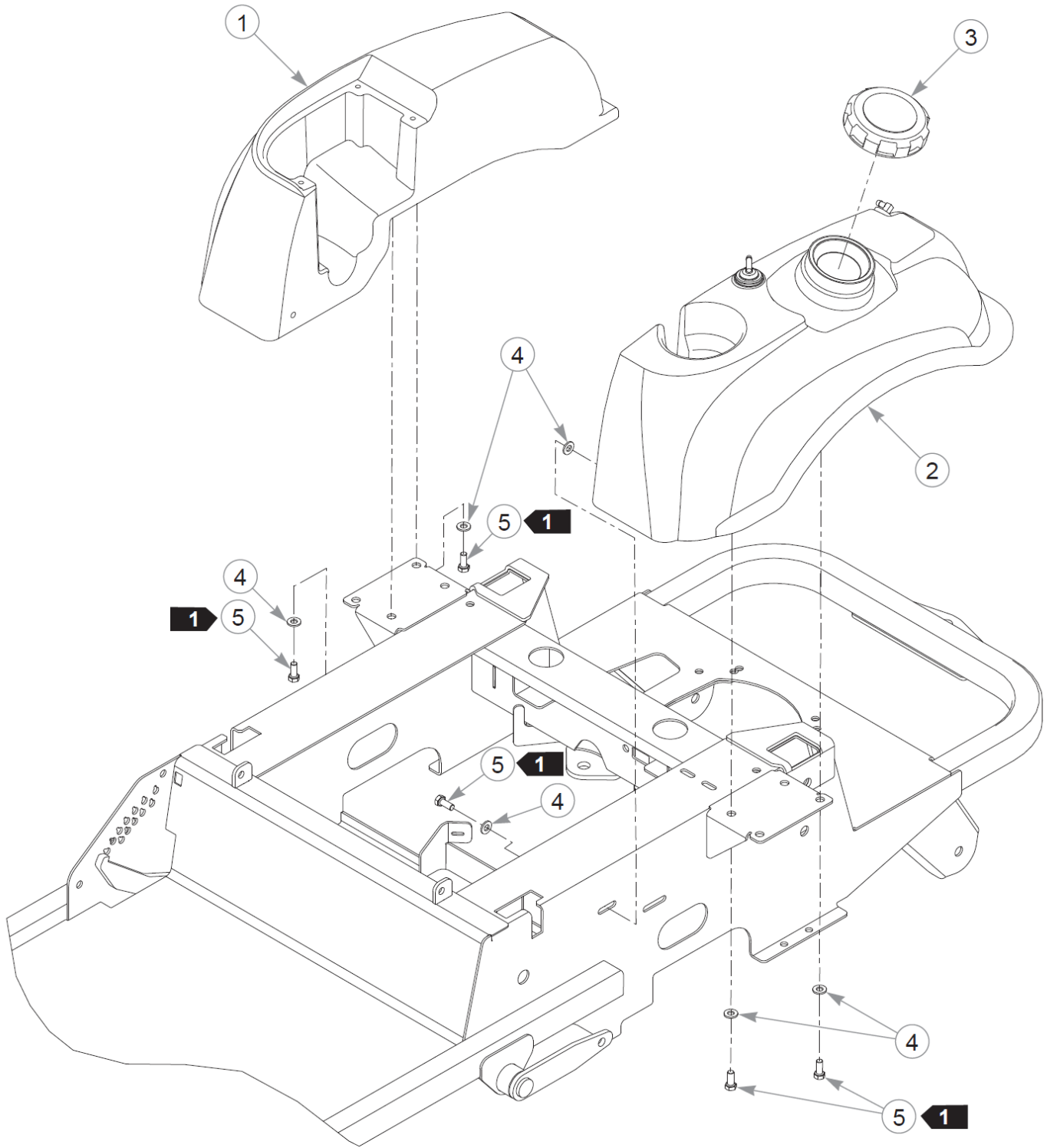
Item	Part No.	Qty	Name
1	602583	1	AIR FILTER, KOH COUR TWN
2	068478	1	FUEL FILTER - IN LINE
3	747303	1	ENGINE OIL FILTER



Item	Part No.	Qty	Name
1	779306	1	FUEL CAP,3.5"
2	110080	1	FENDER RH, SPORT
3	110081	1	FENDER TANK LH, SPORT
4	768523	8	FW 0.343SAE
5	034280	6	CS .312-18X0.750HXG5

Comments for Page: Fuel Tank & Fender

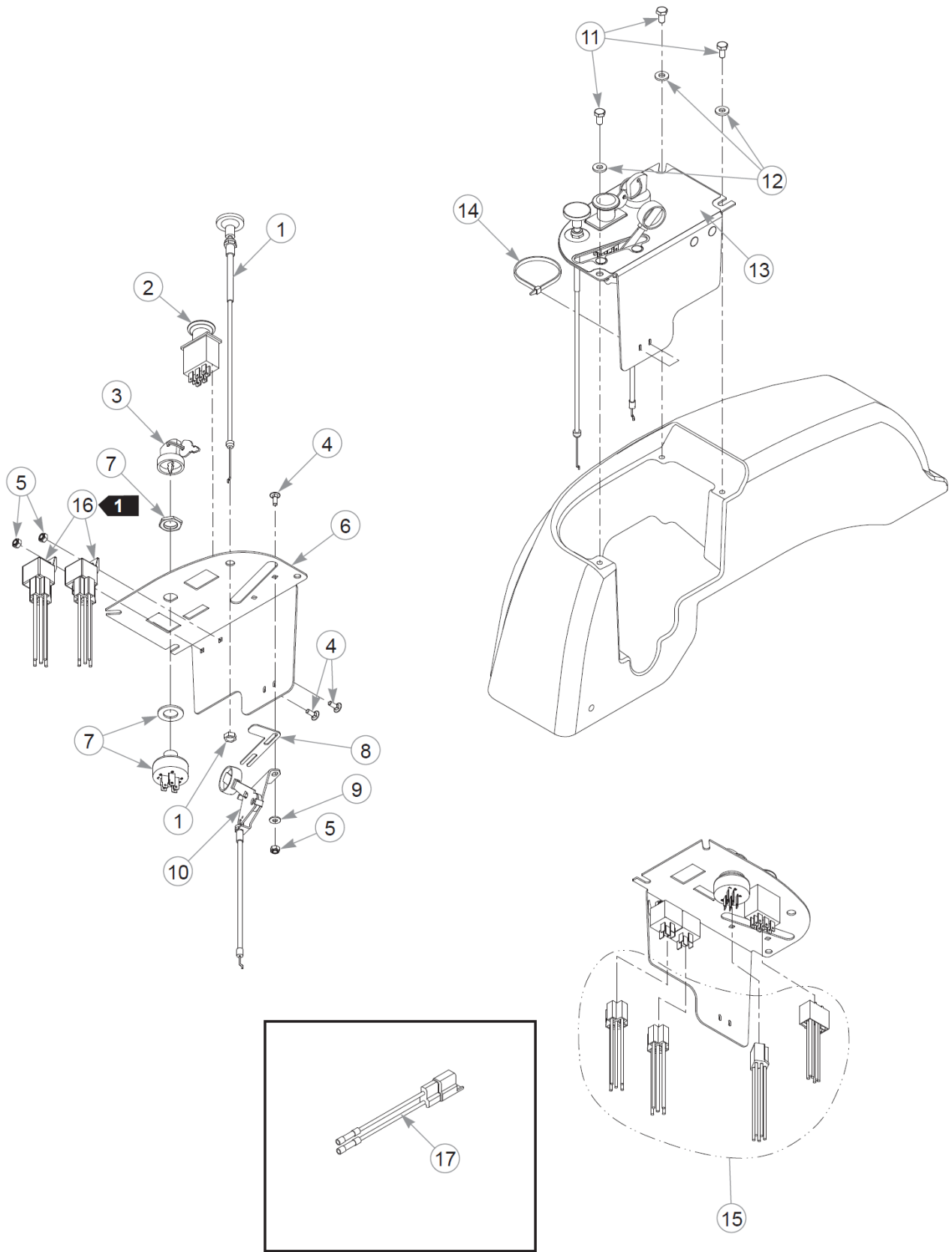
1. Torque to 27 N•m.



Item	Part No.	Qty	Name
1	110080	1	FENDER RH, SPORT
2	603502K	1	SVC, FUEL TANK KIT
3	603807	1	CAP, 3.5" RATCHETING GAS
4	768523	8	FW 0.343SAE
5	034280	6	CS .312-18X0.750HXG5

Comments for Page: Fuel Tank & Fender - S/N 11010000 to 12030001

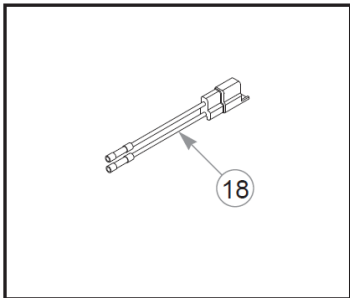
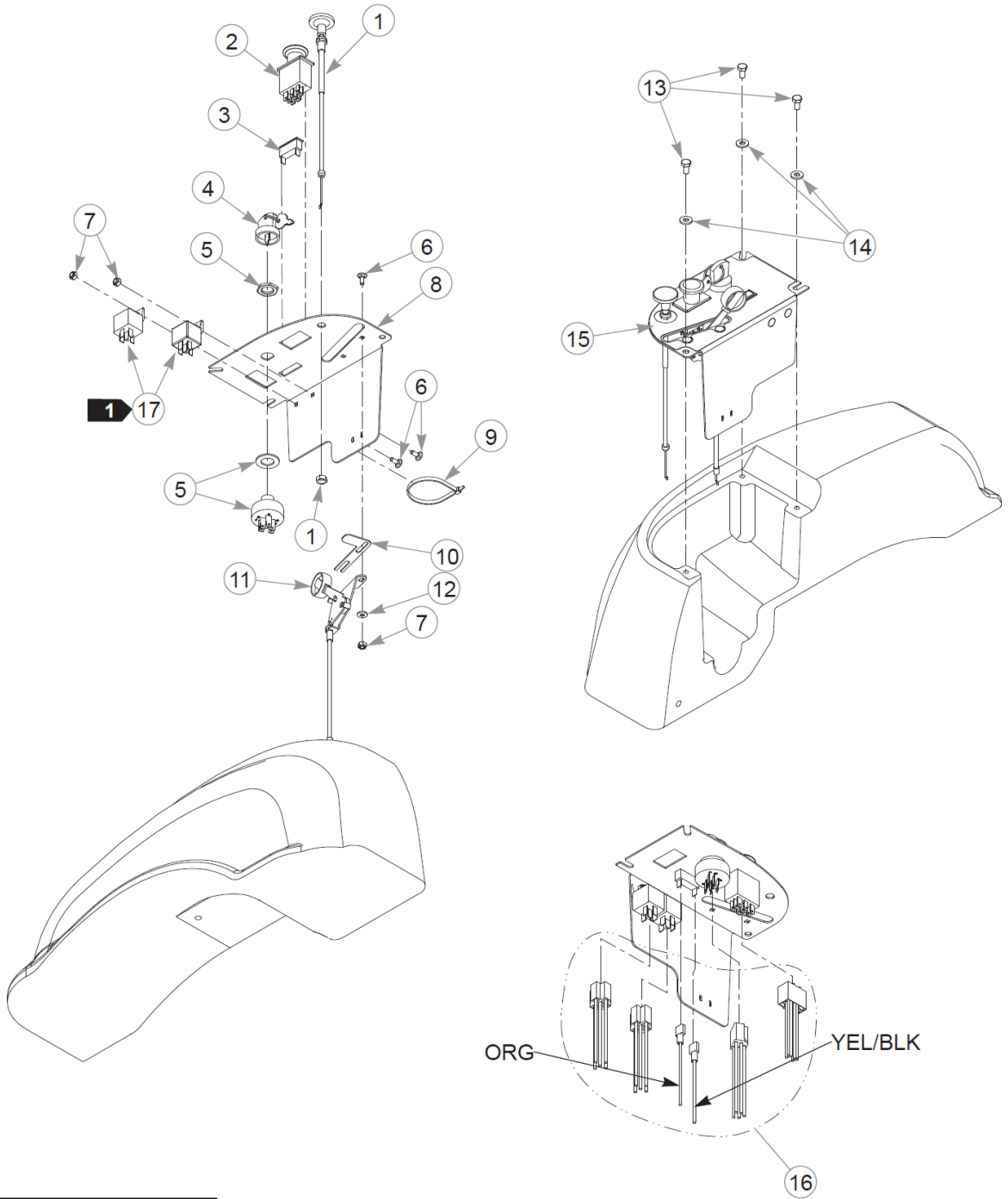
1. Torque to 9.5 N•m.



Item	Part No.	Qty	Name
1	601097	1	CABLE, CHOKE
2	776476	1	SWITCH, PTO 6201-321
3	785808	1	KEY ASSEMBLY
4	601098	4	CB 10-24 X .500 ZYNC
5	059832	4	NT #10-24 HX NL ZN
6	550225	1	INSTRUMENT PANEL, HONDA
7	045898	1	IGNITION SWITCH
8	111906	1	THROTTLE STOP, CE SPORT
9	704932	2	FW 0.219X.50X.05 ZN
10	601096	1	CABLE, THROTTLE
11	055947	3	CS .250-20X0.50 HX G5 ZN
12	768515	3	FW 0.281SAE
13	603109	1	DECAL, INST PANEL
14	000331	5	WIRE TIE, SMALL/SHORT
15	601676	1	WIRE HARNESS, FST SPORT
16	601053	2	RELAY, SEALED W/BRACKET
17	114052	1	KIT, CLUTCH CONN. REP.

Comments for Page: Instrument Panel, Kawasaki

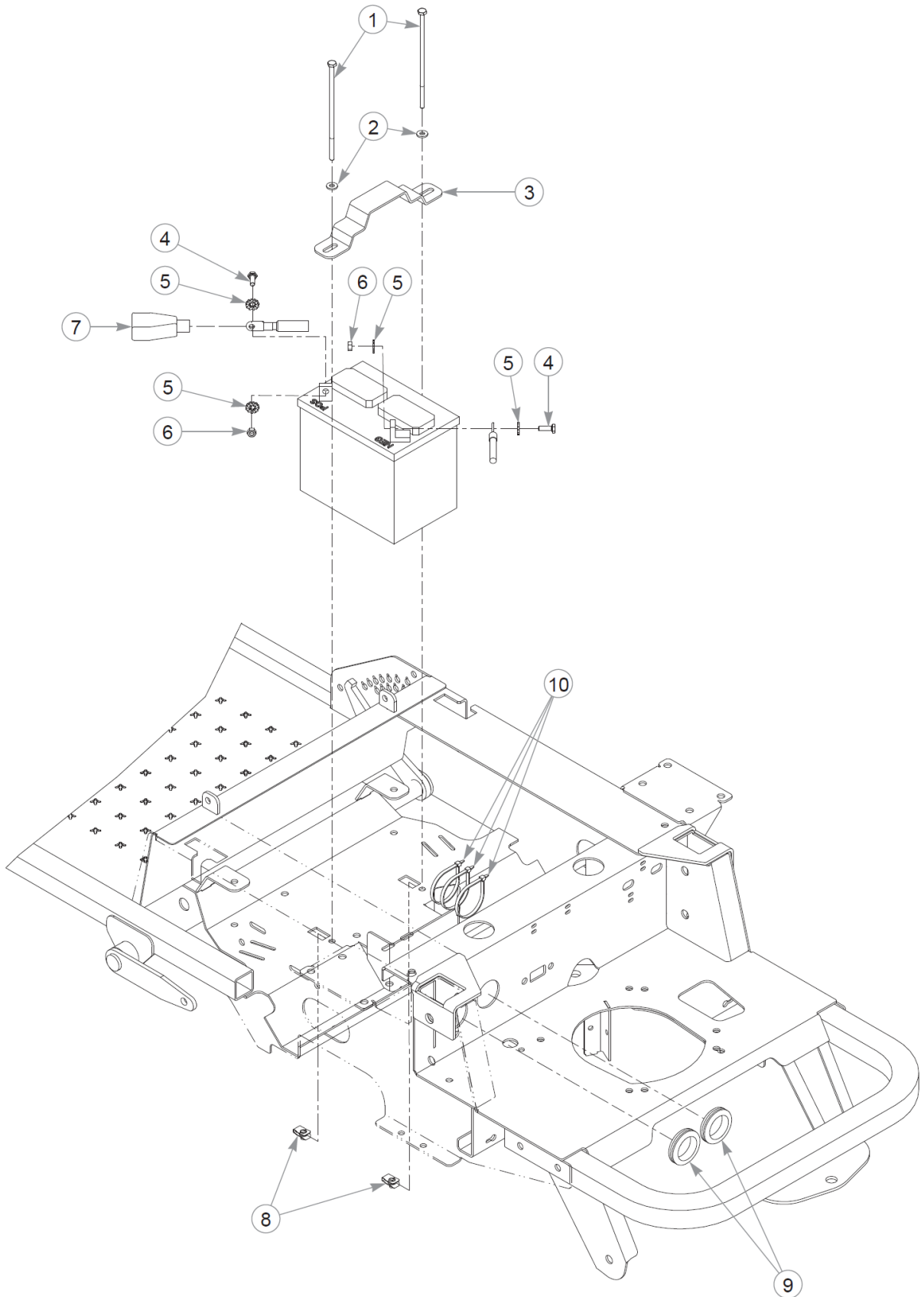
1. Part of the wire harness.
2. The instrument panel (550225) includes the decal (603109),
3. The sealed relay includes a bracket.



Item	Part No.	Qty	Name
1	785030	1	CABLE, CHOKE
2	776476	1	SWITCH, PTO 6201-321
3	712257	1	INDICATOR LIGHT, RED(FS)
4	785808	1	KEY ASSEMBLY
5	045898	1	IGNITION SWITCH
6	601098	4	CB 10-24 X .500 ZYNC
7	059832	4	NT #10-24 HX NL ZN
8	550225	1	INSTRUMENT PANEL, HONDA
9	000331	6	WIRE TIE, SMALL/SHORT
10	111906	1	THROTTLE STOP, CE SPORT
11	786384	1	CABLE, THROTTLE ASSEMBLY
12	704932	2	FW 0.219X.50X.05 ZN
13	055947	3	CS .250-20X0.50 HX G5 ZN
14	768515	3	FW 0.281SAE
15	602232	1	DECAL, INST PANEL HONDA
16	602322	1	WIRE HARNESS FST SPORT
17	601053	2	RELAY, SEALED W/BRACKET
18	114052	1	KIT, CLUTCH CONN. REP.

Comments for Page: Instrument Panel, Kohler

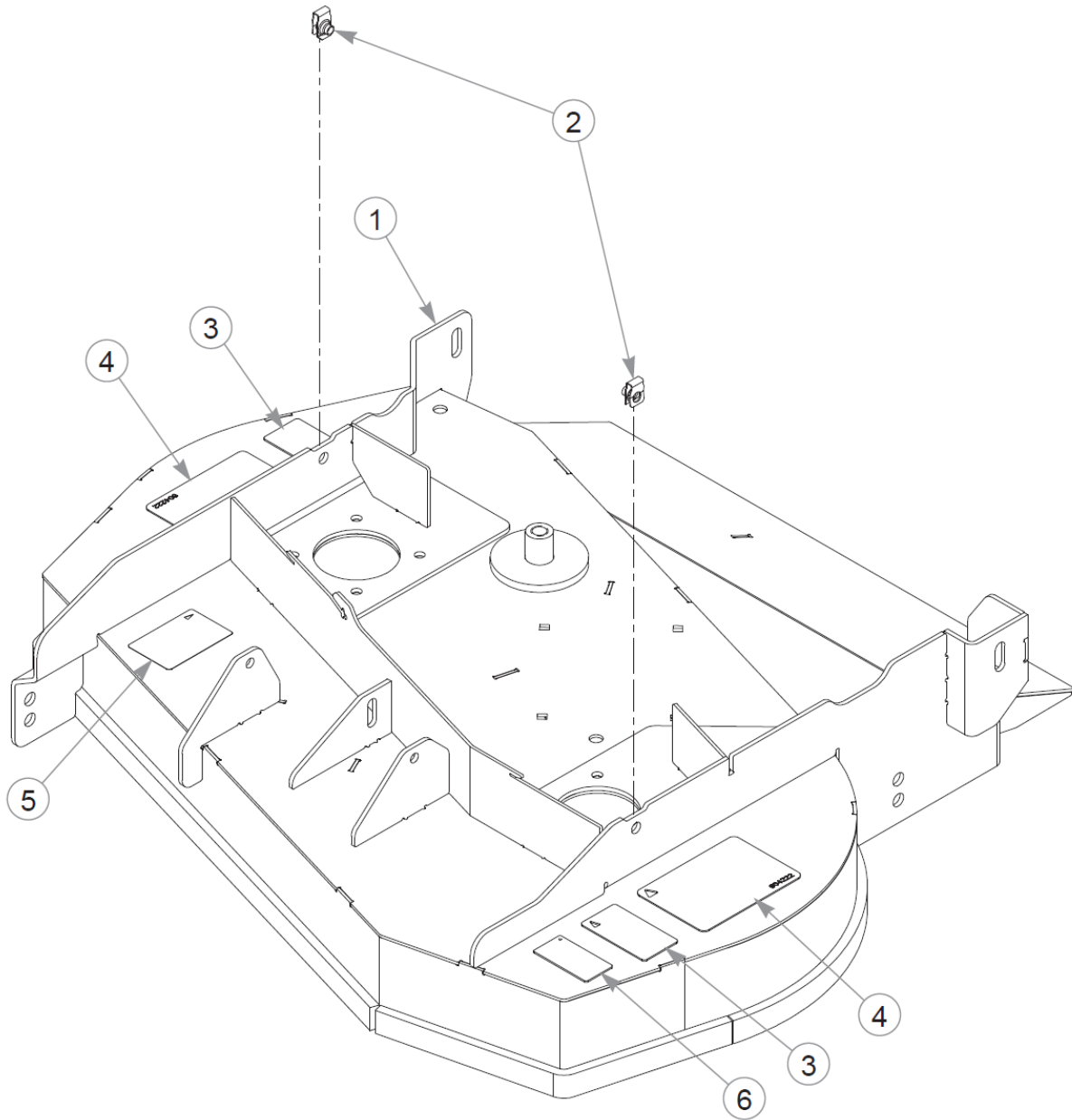
1. Part of the wire harness.
2. The instrument panel (550225) includes the decal (602232),
3. The sealed relay includes a bracket.



Battery

Sport CE Parts Manual (S/N 11010000 & HIGHER)

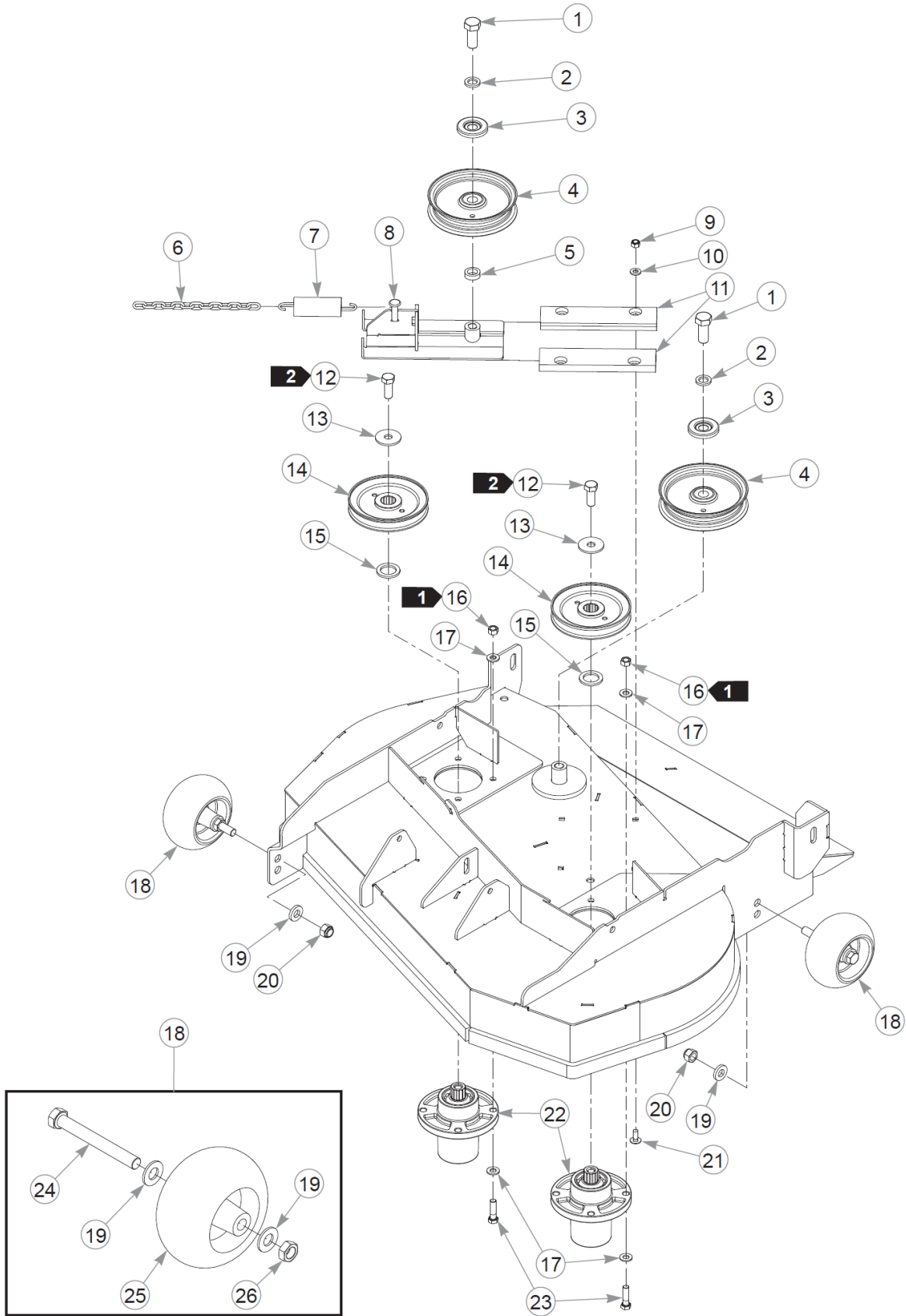
Item	Part No.	Qty	Name
1	601930	2	CS .250-20 X 6.50 HX G5
2	768515	2	FW 0.281SAE
3	348417	1	STRAP, BATTERY CLAMP
4	055939	2	CS .250-20X0.75 HX G5 ZN
5	029868	4	LW .250 INTEXT ZN
6	024927	2	NT .250-20HXG5
7	771428	1	BATTERY CBL BOOT-RED(FS)
8	601982	2	CN .250-20X .150 MAX THK
9	794644	2	GM 1.50 X 2.12 X 1.75
10	000331	3	WIRE TIE, SMALL/SHORT



Item	Part No.	Qty	Name
1	551989	1	SVC DECK
2	601069	2	CN .312-18x.200 MAX THK
3	603391	2	DECAL, RUBBER FLAP
4	604222	2	DECAL, DANGER / OBJECTS
5	602243	1	DECAL, BELT ROUTING
6	793513	1	DECAL, 36" DECK ID

Comments for Page: 36" Rear Discharge Service Deck

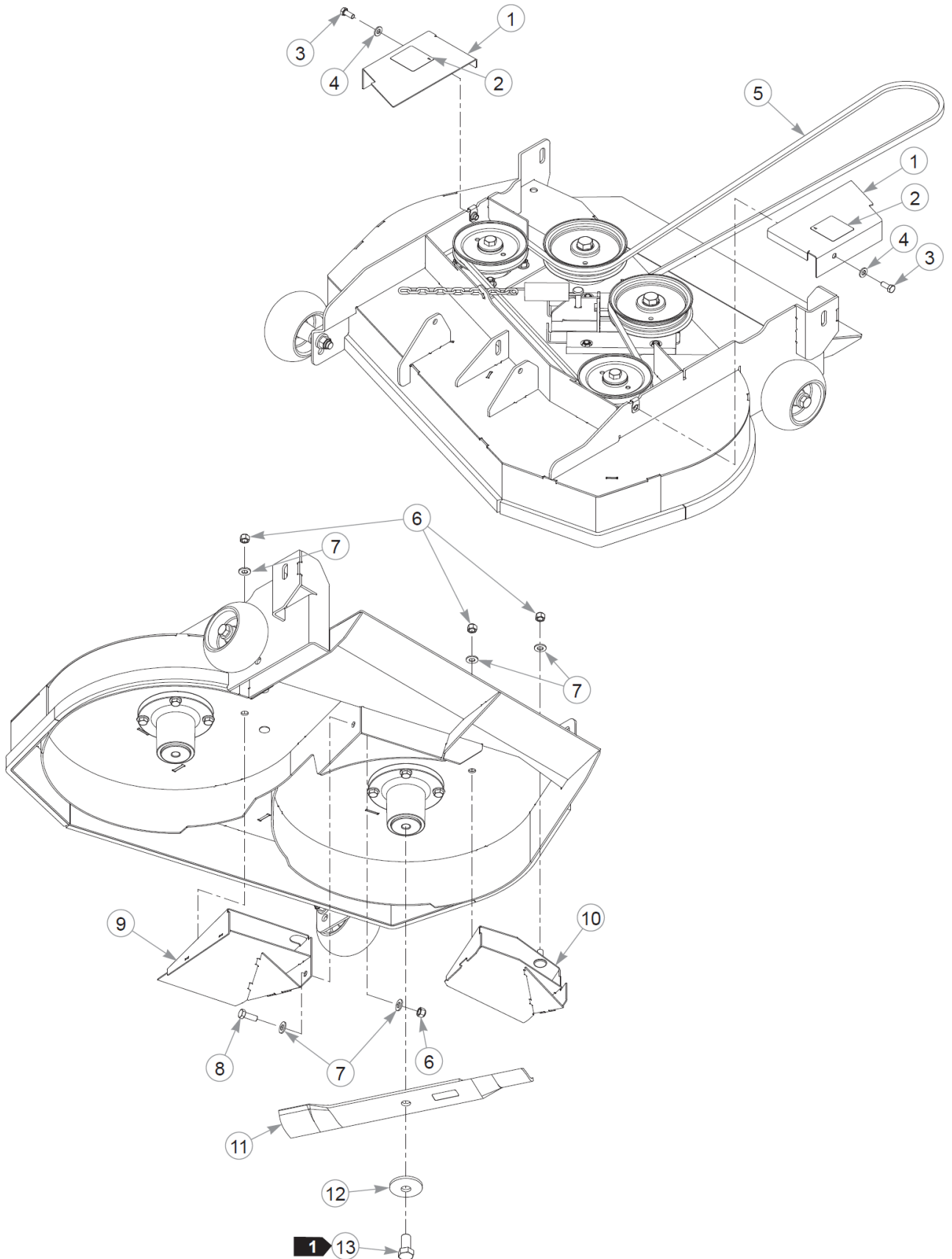
1. Deck includes hardware and decals.



Item	Part No.	Qty	Name
1	794446	2	CS .625-11X1.500HXG5
2	028118	2	FW 0.625X1.00X.13 ZN
3	603057	2	DUST SHIELD W/OFFSET
4	781856	2	PULLEY, IDLER NHI 5.00"
5	600296	1	SPACER, DECK IDLER
6	259812	1	CHAIN, 13 LINK
7	036384	1	SPRING 1/4 COIL PL 1.23
8	114433	1	IDLER SLIDE W/A
9	058776	4	NT .312-18NLG5
10	768523	4	FW 0.343SAE
11	603750	2	IDLER SLIDE, SHORT
12	705954	2	CS .500-13X1.25 HX G5 ZN
13	798603	2	FW .515X1.65X.12 HD ZN
14	603730	2	PULLEY, DRIVE 4.78 EOD
15	045765	2	FW 1.030X1.50X.13 HD ZN
16	054502	8	NT .375-16HXG5
17	767954	16	FW 0.379X.82X.06 HD ZN
18	788166	2	WHEEL ASSY, ANTI SCALP
19	767962	4	FW .531 x 1.063 x .175
20	781567	2	NT .500-13NLG5
21	016253	4	CB .312-18X .750 FUL ZN
22	607418	2	BLADE SPINDLE ASSY
23	005116	8	CS .375-16X1.38 HX G5 ZN
24	781708	1	CS .500-13X4.25 HX G5 ZN
25	031997	1	ANTI-SCALP WHEEL
26	053199	1	NT .500-13JAMG5

Comments for Page: 36" Rear Discharge Deck Pulleys & Spindles

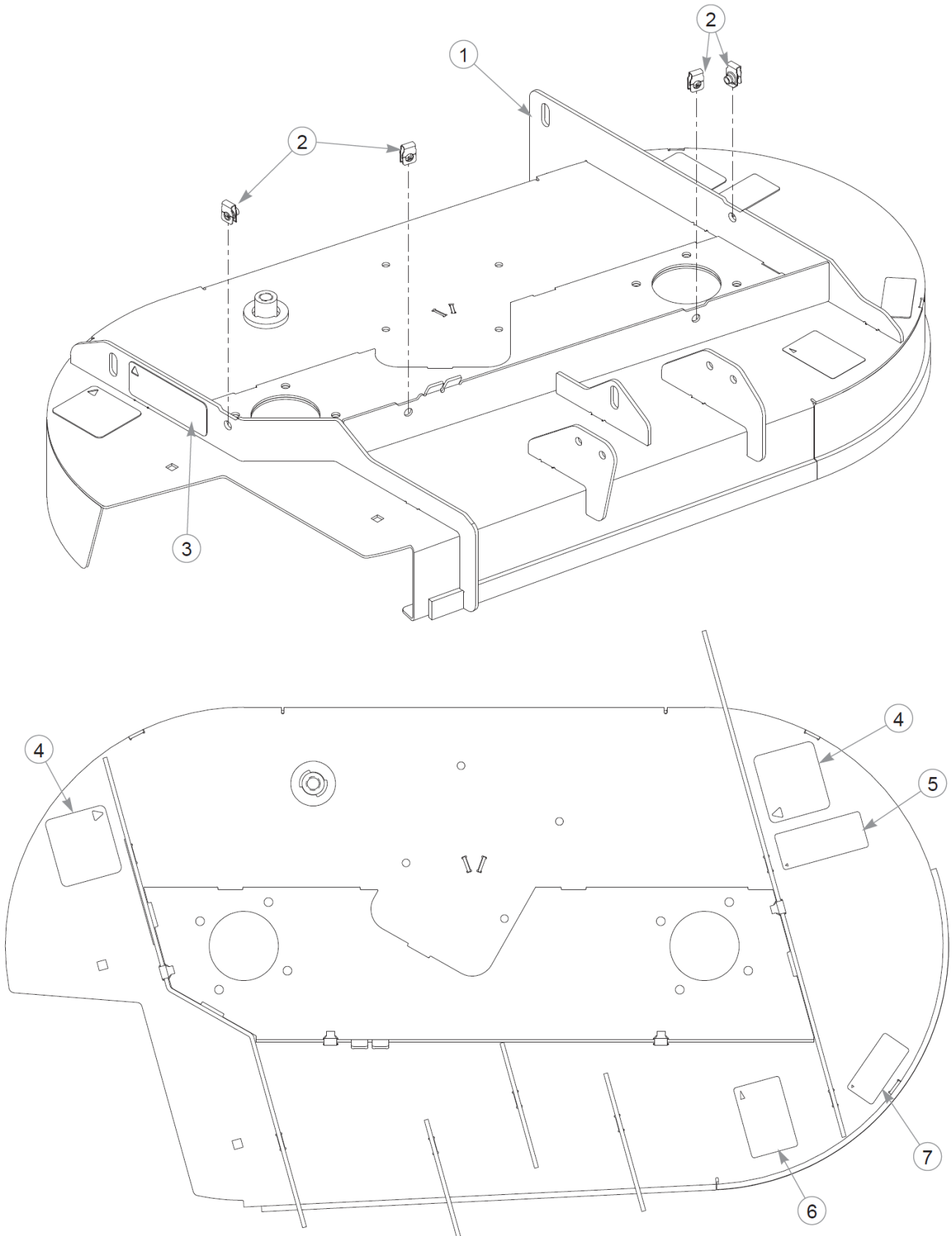
1. Torque to 40 N•m.
2. Torque to 99 N•m.
3. Plastic wheel assembly includes hardware.



Item	Part No.	Qty	Name
1	551990	2	SVC PULLEY COVER
2	602562	2	DECAL, NO SERVICE
3	034280	2	CS .312-18X0.750HXG5
4	768523	2	FW 0.343SAE
5	793828	1	DECK BELT
6	086660	4	NT .375-16NLG8
7	767954	5	FW 0.379X.82X.06 HD ZN
8	036244	1	CS .375-16X1.00 HX G5 ZN
9	116217	1	RAMP, LEFT SIDE W/A
10	117375	1	RAMP W/A RS
11	783753	2	BLADE,17.86"-L-F-CW
Not Shown	785436	2	BLADE,17.86"-GAT-F-CW
Not Shown	794198	2	BLADE,17.86"-MUL-F-CW
Not Shown	795526	2	BLADE, F17.86"-H-F-CW
12	782474	2	CW .678 X 2.250 X .187
13	781872	2	CS .625-11X1.250HXG5

Comments for Page: 36" Rear Discharge Deck

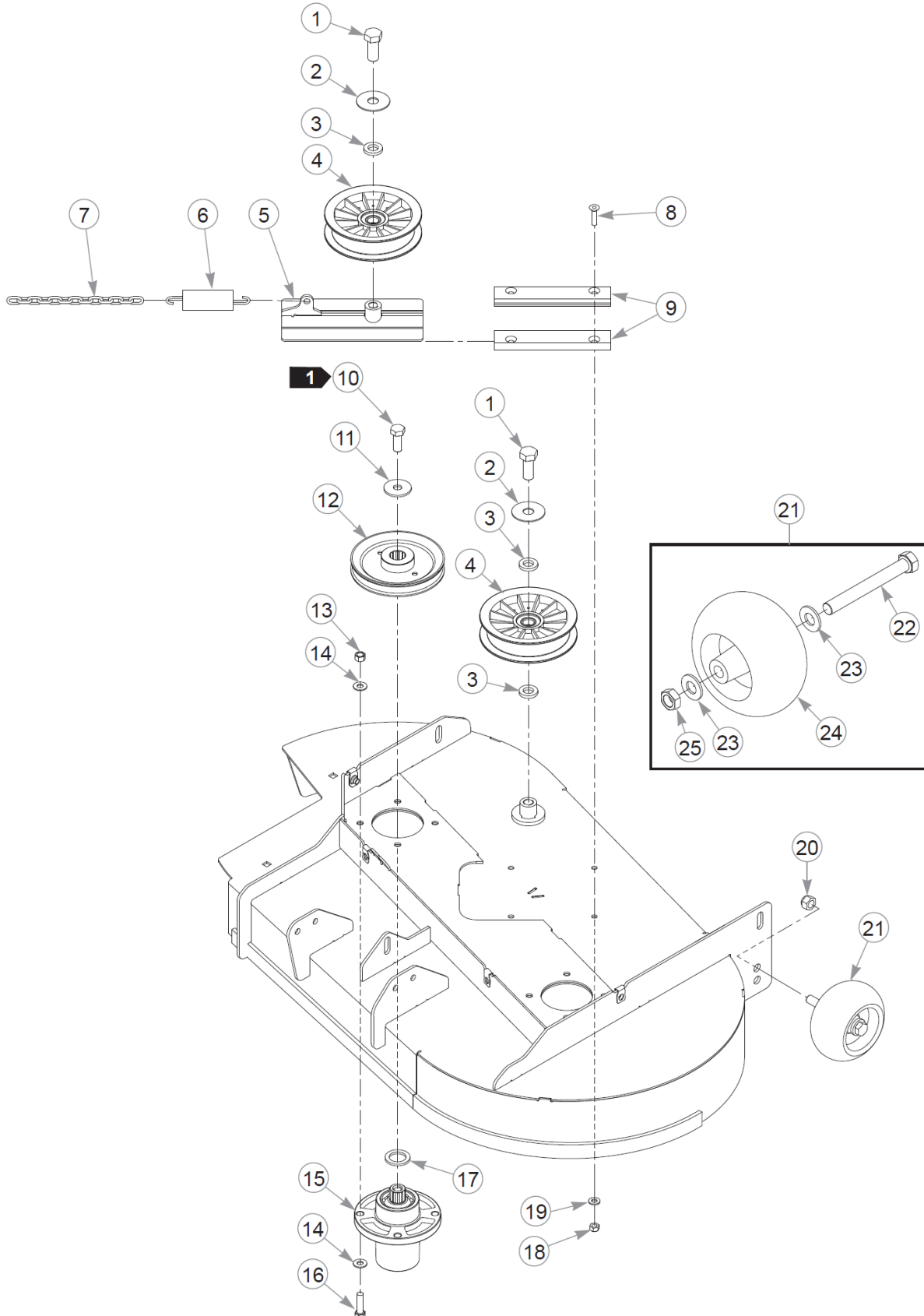
1. Torque to 160 N•m.
2. Pulley cover (551990) includes the decal (602562),



Item	Part No.	Qty	Name
1	550592	1	42" SERVICE DECK
2	601069	4	CN .312-18x.200 MAX THK
3	601624	1	DECAL, DISCHARGE CHUTE
4	601837	2	DECAL, DECK DANGERS
5	601892	1	DECAL, THROWN OBJECTS
6	602243	1	DECAL, BELT ROUTING
7	793521	1	DECAL, 42" DECK ID

Comments for Page: 42" Side Discharge Service Deck

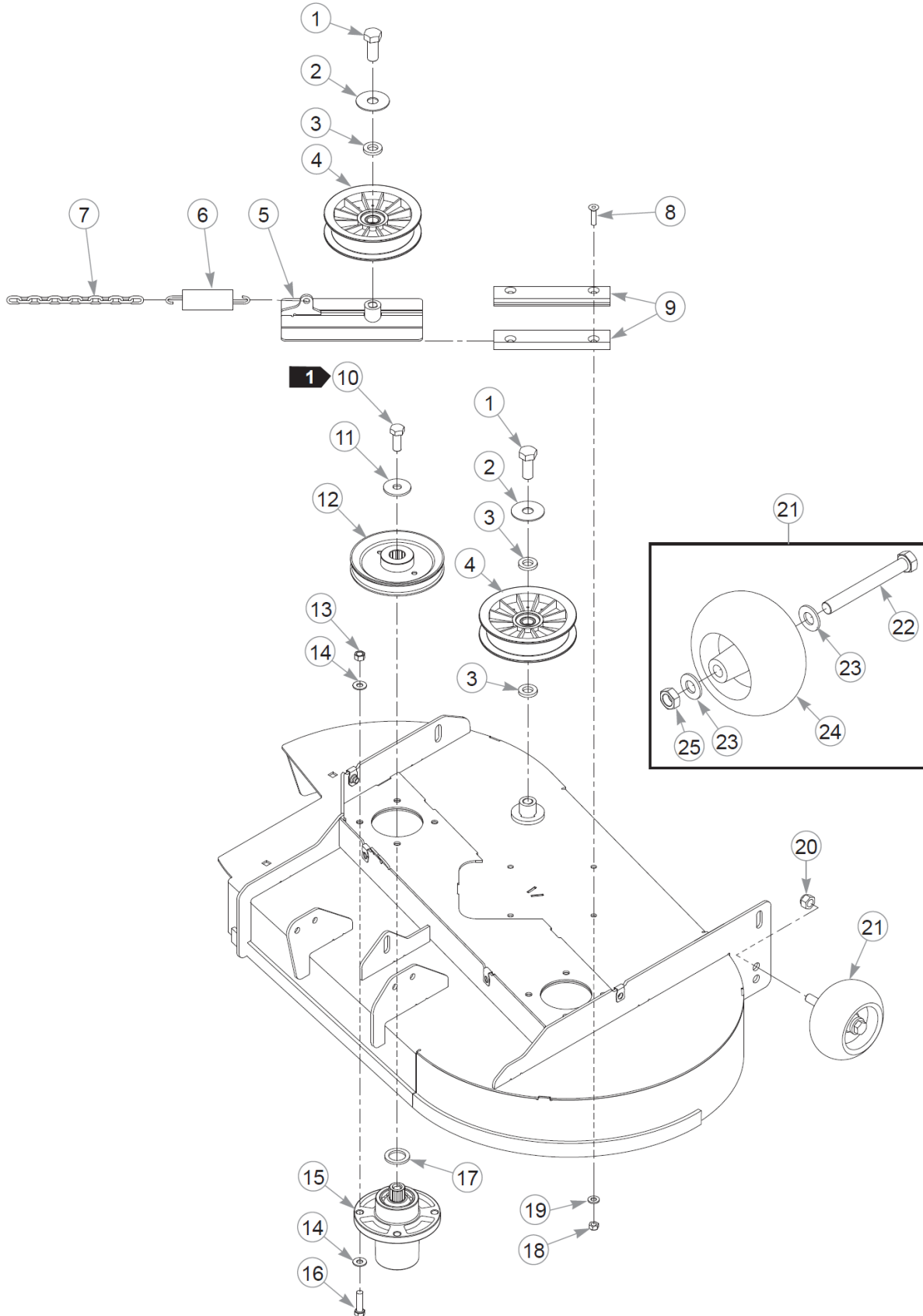
1. Deck includes hardware and decals.



Item	Part No.	Qty	Name
1	794446	2	CS .625-11X1.500HXG5
2	046821	2	FW .656X2.00X.08 ZN
3	797449	3	FW .630X1.13X.18 ZN
4	784504	2	PULLEY, IDLER, 5.00"OD,
5	109770	1	IDLER SLIDE W/A
6	036384	1	SPRING 1/4 COIL PL 1.23
7	259812	1	CHAIN, 13 LINK
8	784199	4	CS .312-18X1.250 FLT SH
9	601619	2	IDLER SLIDE UHMW RT & LT
10	705954	2	CS .500-13X1.25 HX G5 ZN
11	798603	2	FW .515X1.65X.12 HD ZN
12	793778	2	PULLEY,DECK SPINDLE 36/
13	054502	8	NT .375-16HXG5
14	767954	16	FW 0.379X.82X.06 HD ZN
15	607418	2	BLADE SPINDLE ASSY
16	005116	8	CS .375-16X1.38 HX G5 ZN
17	045765	2	FW 1.030X1.50X.13 HD ZN
18	058776	4	NT .312-18NLG5
19	768523	4	FW 0.343SAE
20	781567	1	NT .500-13NLG5
21	788166	1	WHEEL ASSY, ANTI SCALP
22	781708	1	CS .500-13X4.25 HX G5 ZN
23	767962	2	FW .531 x 1.063 x .175
24	031997	1	ANTI-SCALP WHEEL
25	053199	1	NT .500-13JAMG5

Comments for Page: 42" Side Discharge Deck Pulleys & Spindles - S/N PRIOR TO 11021630 and S/N 11021740 & HIGHER

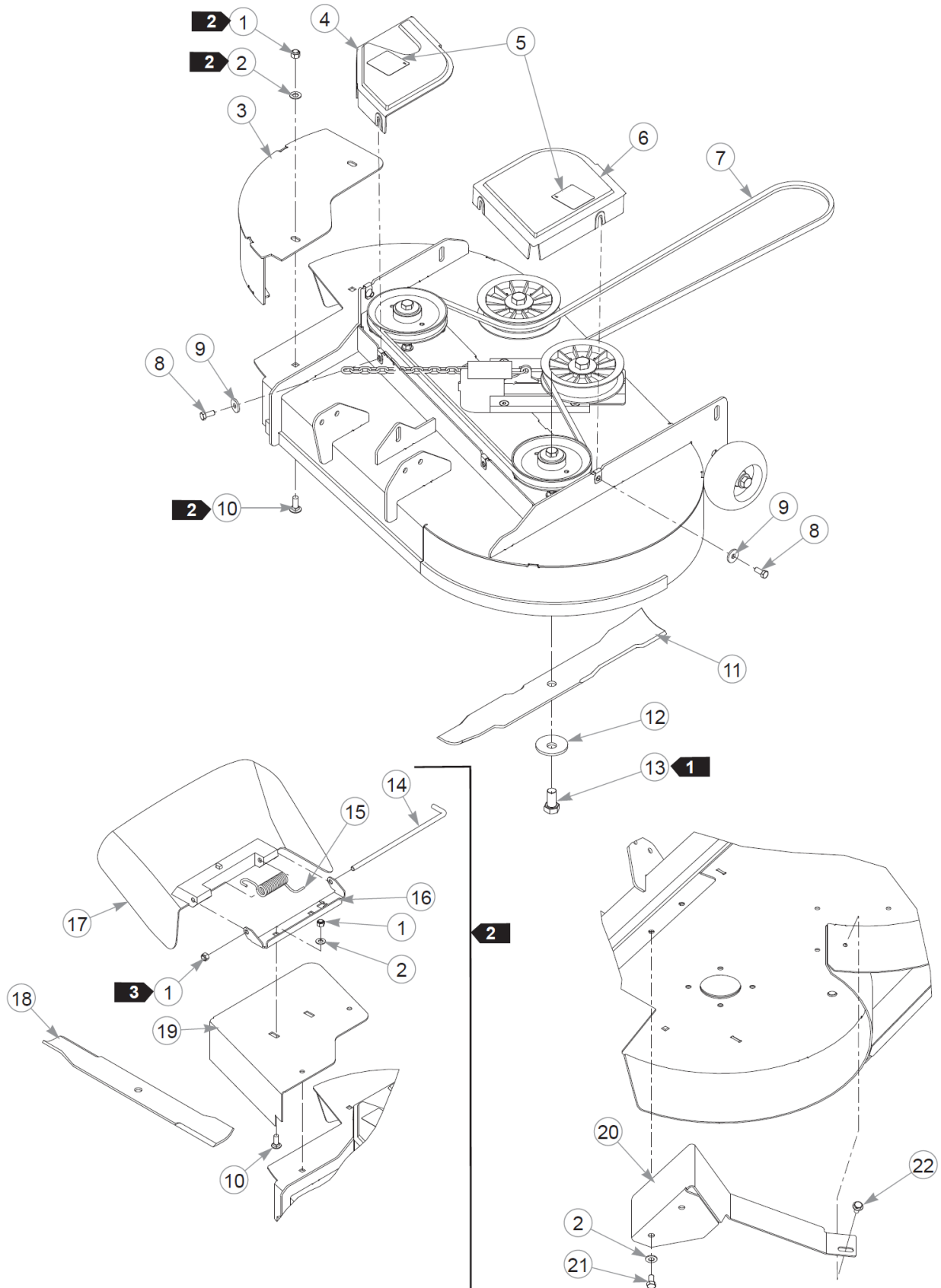
1. Torque to 91–101 N•m.
2. The plastic wheel assembly includes hardware.



Item	Part No.	Qty	Name
1	794446	2	CS .625-11X1.500HXG5
2	046821	2	FW .656X2.00X.08 ZN
3	797449	3	FW .630X1.13X.18 ZN
4	784504	2	PULLEY, IDLER, 5.00"OD,
5	109770	1	IDLER SLIDE W/A
6	036384	1	SPRING 1/4 COIL PL 1.23
7	259812	1	CHAIN, 13 LINK
8	784199	4	CS .312-18X1.250 FLT SH
9	601619	2	IDLER SLIDE UHMW RT & LT
10	781872	2	CS .625-11X1.250HXG5
11	782474	2	CW .678 X 2.250 X .187
12	793778	2	PULLEY,DECK SPINDLE 36/
13	054502	8	NT .375-16HXG5
14	767954	16	FW 0.379X.82X.06 HD ZN
15	783506	2	BLADE SPINDLE ASSEMBLY
16	005116	8	CS .375-16X1.38 HX G5 ZN
17	045765	2	FW 1.030X1.50X.13 HD ZN
18	058776	4	NT .312-18NLG5
19	768523	4	FW 0.343SAE
20	781567	1	NT .500-13NLG5
21	788166	1	WHEEL ASSY, ANTI SCALP
22	781708	1	CS .500-13X4.25 HX G5 ZN
23	767962	2	FW .531 x 1.063 x .175
24	031997	1	ANTI-SCALP WHEEL
25	053199	1	NT .500-13JAMG5

Comments for Page: 42" Side Discharge Deck Pulleys & Spindles - S/N 11021630 to 11021740

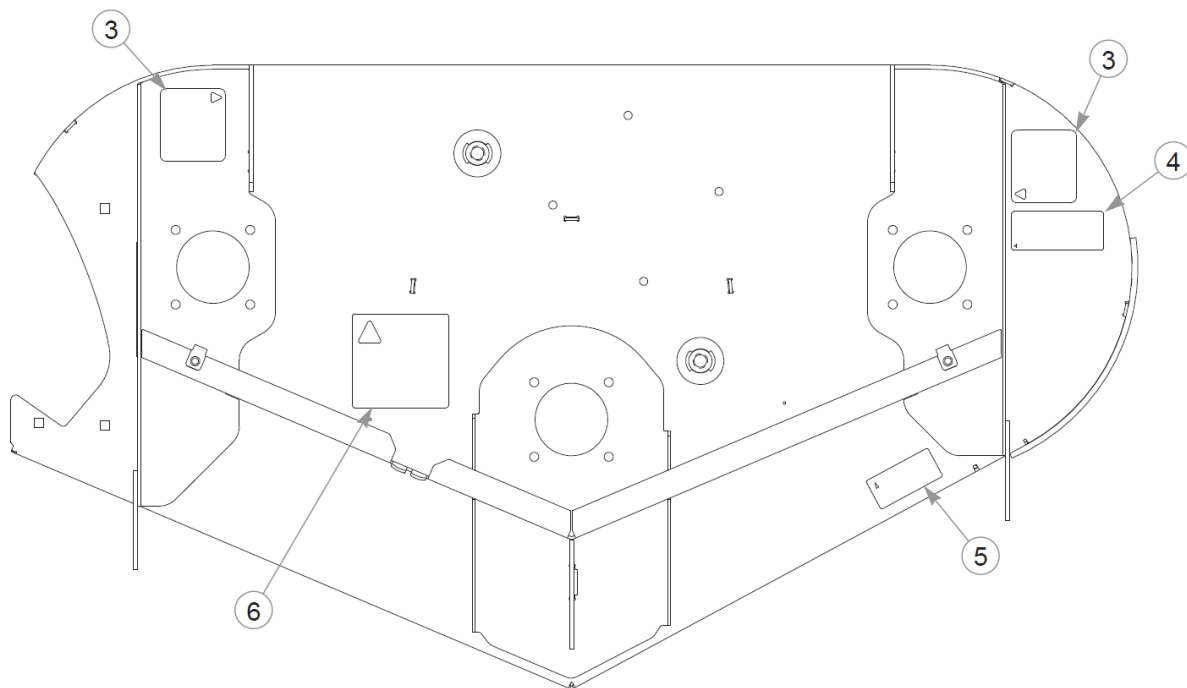
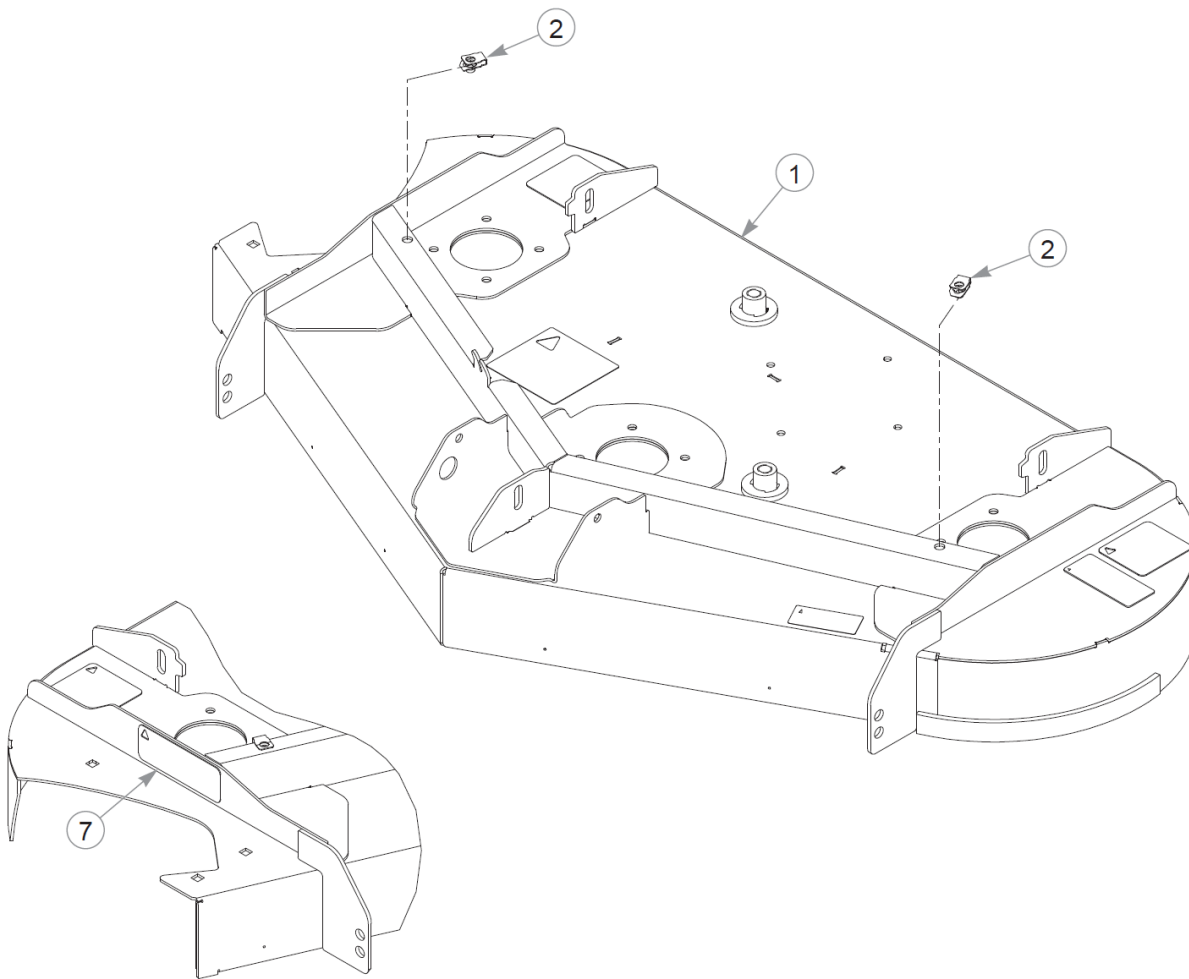
1. Torque to 160 N•m.
2. The plastic wheel assembly includes hardware.



Item	Part No.	Qty	Name
1	086660	5	NT .375-16NLG8
2	767954	6	FW 0.379X.82X.06 HD ZN
3	112724	1	CLOSE OFF MULCH W/A
4	602751	1	42C PULLEY COVER, RS
5	602562	2	DECAL, NO SERVICE
6	602752	1	42/46 PULLEY COVER, LS
7	600726	1	DECK BELT
8	034280	4	CS .312-18X0.750HXG5
9	712927	4	FW 0.344X1.00X.12 HD ZN
10	025395	4	CB .375-16X 1.00 G5 ZN
11	794214	2	BLADE,20.50"-MUL-F-CW
12	782474	2	CW .678 X 2.250 X .187
13	781872	2	CS .625-11X1.250HXG5
14	601843	1	PIN, CHUTE
15	602591	1	SPRING, TORSION HEAVY
16	111067	1	BRACKET, CHUTE
17	601806	1	DISCHARGE CHUTE
18	793794	2	BLADE,20.50"-L-F-CW
Not Shown	793935	2	BLADE,20.50"-CAT-F-CW
Not Shown	794230	2	BLADE,20.50"GAT-F-CW
Not Shown	794214	2	BLADE,20.50"-MUL-F-CW
Not Shown	600901	2	BLADE, F20.50"-L-F-CW
Not Shown	794685	2	BLADE, F20.50"-H-F-CW
19	112429	1	PLATE, DISCHARGE CHUTE
20	113657	1	42" MULCH DIVIDER
21	056069	2	CS .375-16X0.63 HX G5 ZN
22	799130	1	CS .312-18X .625 HXFL

Comments for Page: 42" Side Discharge Deck

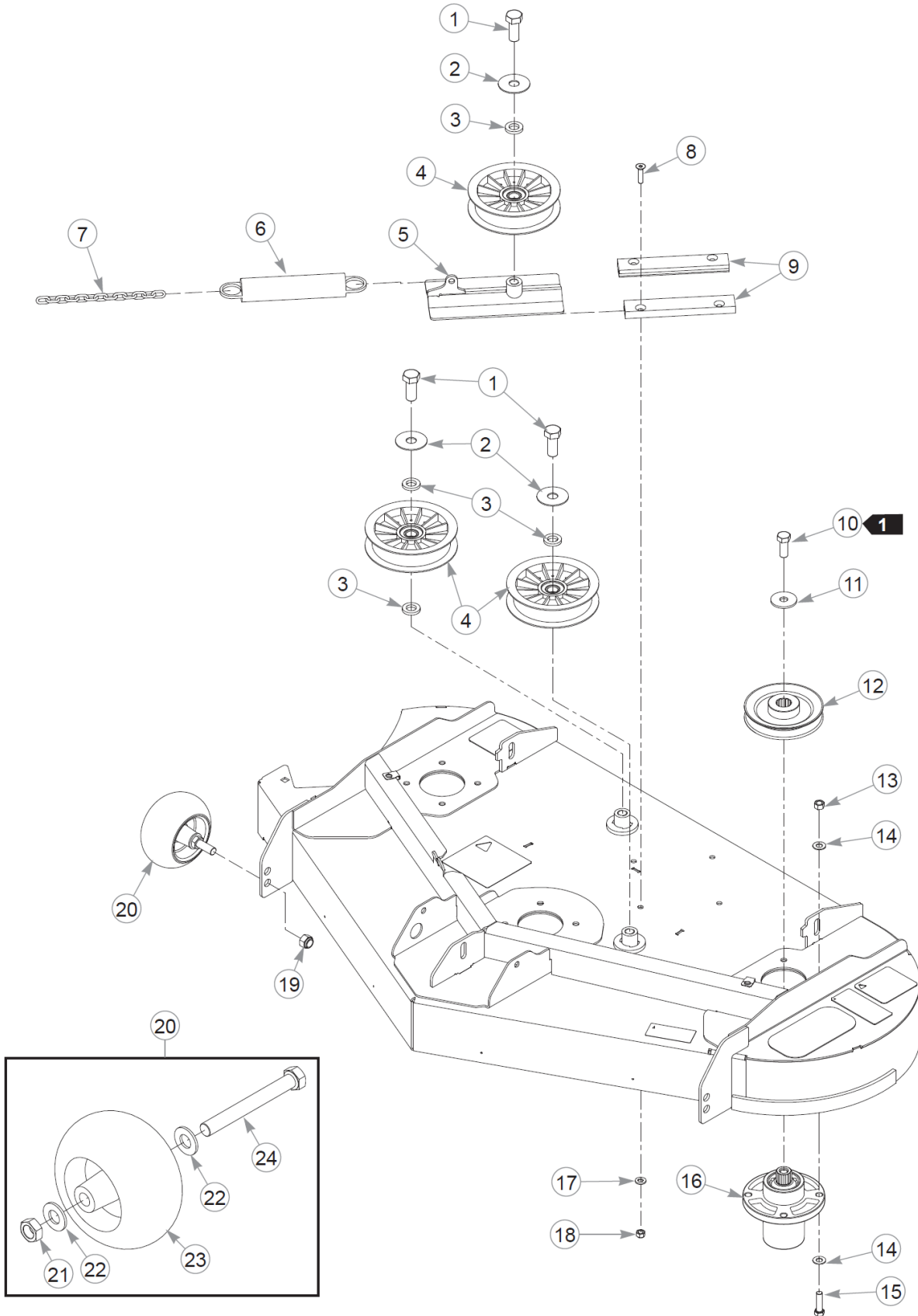
1. Torque to 160 N•m.
2. These items must be used when the mulch system is removed.
3. Do not torque; the discharge chute must pivot freely.



Item	Part No.	Qty	Name
1	550017	1	48" SERVICE DECK
2	601069	2	CN .312-18x.200 MAX THK
3	601837	2	DECAL, DECK DANGERS
4	601892	1	DECAL, THROWN OBJECTS
5	793976	1	DECAL,48"DECK ID
6	781419	1	DECAL, BELT ROUTING
7	601624	1	DECAL, DISCHARGE CHUTE

Comments for Page: 48" Side Discharge Service Deck

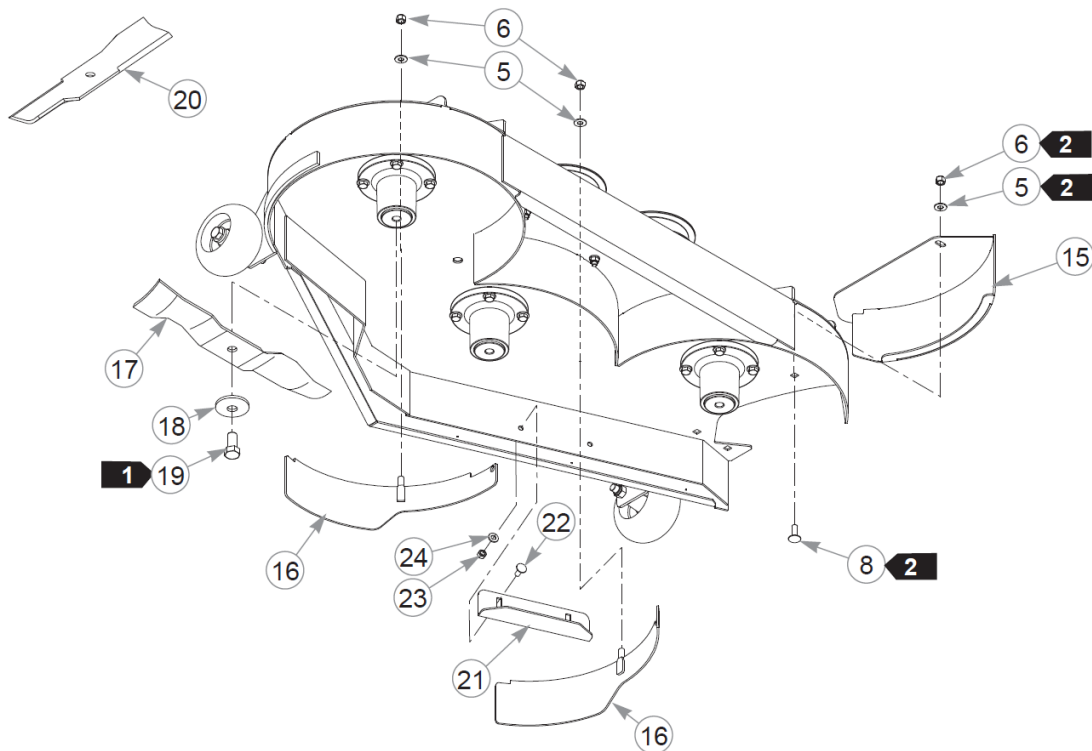
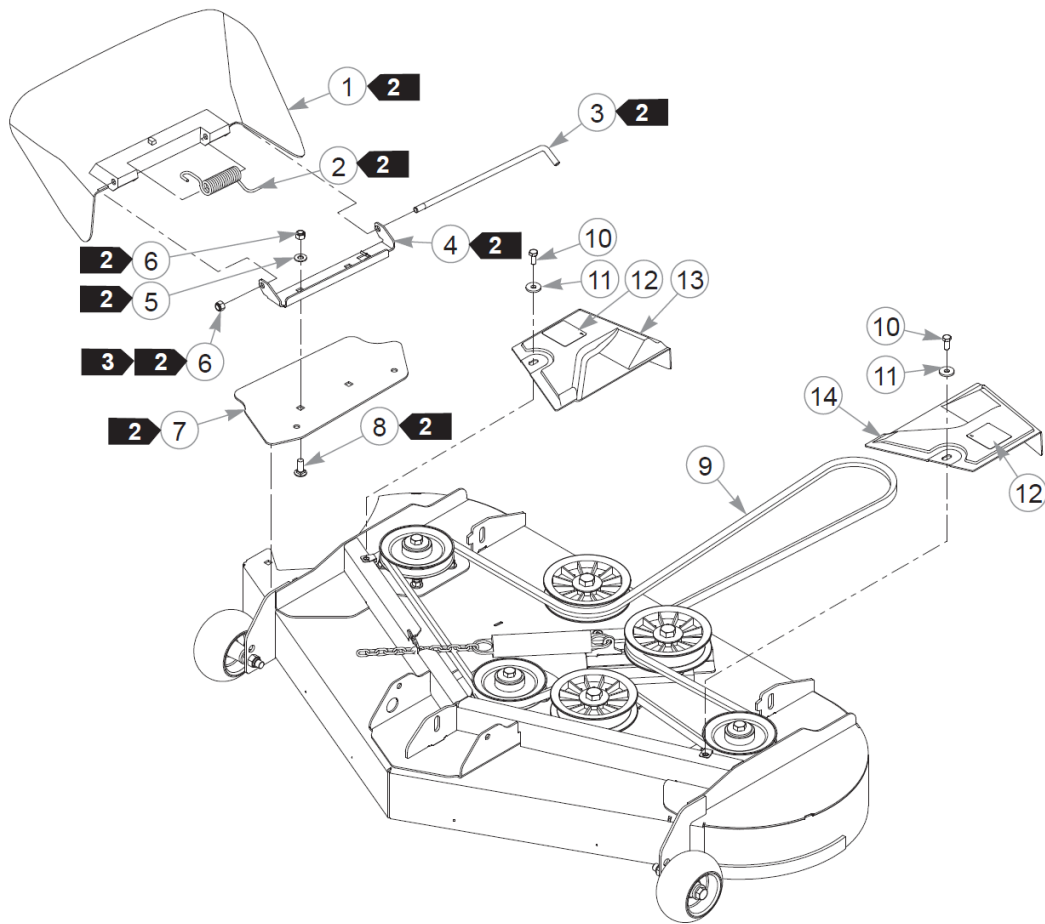
1. Deck includes hardware and decals.



Item	Part No.	Qty	Name
1	794446	3	CS .625-11X1.500HXG5
2	046821	3	FW .656X2.00X.08 ZN
3	797449	4	FW .630X1.13X.18 ZN
4	784504	3	PULLEY, IDLER, 5.00"OD,
5	109770	1	IDLER SLIDE W/A
6	781302	1	IDLER SPRING
7	259812	1	CHAIN, 13 LINK
8	784199	4	CS .312-18X1.250 FLT SH
9	601619	2	IDLER SLIDE UHMW RT & LT
10	705954	3	CS .500-13X1.25 HX G5 ZN
11	798603	3	FW .515X1.65X.12 HD ZN
12	792689	3	PULLEY, DRIVE 5.19 OP
13	054502	12	NT .375-16HXG5
14	767954	24	FW 0.379X.82X.06 HD ZN
15	005116	12	CS .375-16X1.38 HX G5 ZN
16	607418	3	BLADE SPINDLE ASSY
17	768523	4	FW 0.343SAE
18	058776	4	NT .312-18NLG5
19	781567	2	NT .500-13NLG5
20	788166	2	WHEEL ASSY, ANTI SCALP
21	053199	1	NT .500-13JAMG5
22	767962	2	FW .531 x 1.063 x .175
23	031997	1	ANTI-SCALP WHEEL
24	781708	1	CS .500-13X4.25 HX G5 ZN

Comments for Page: 48" Side Discharge Deck Pulleys & Spindles

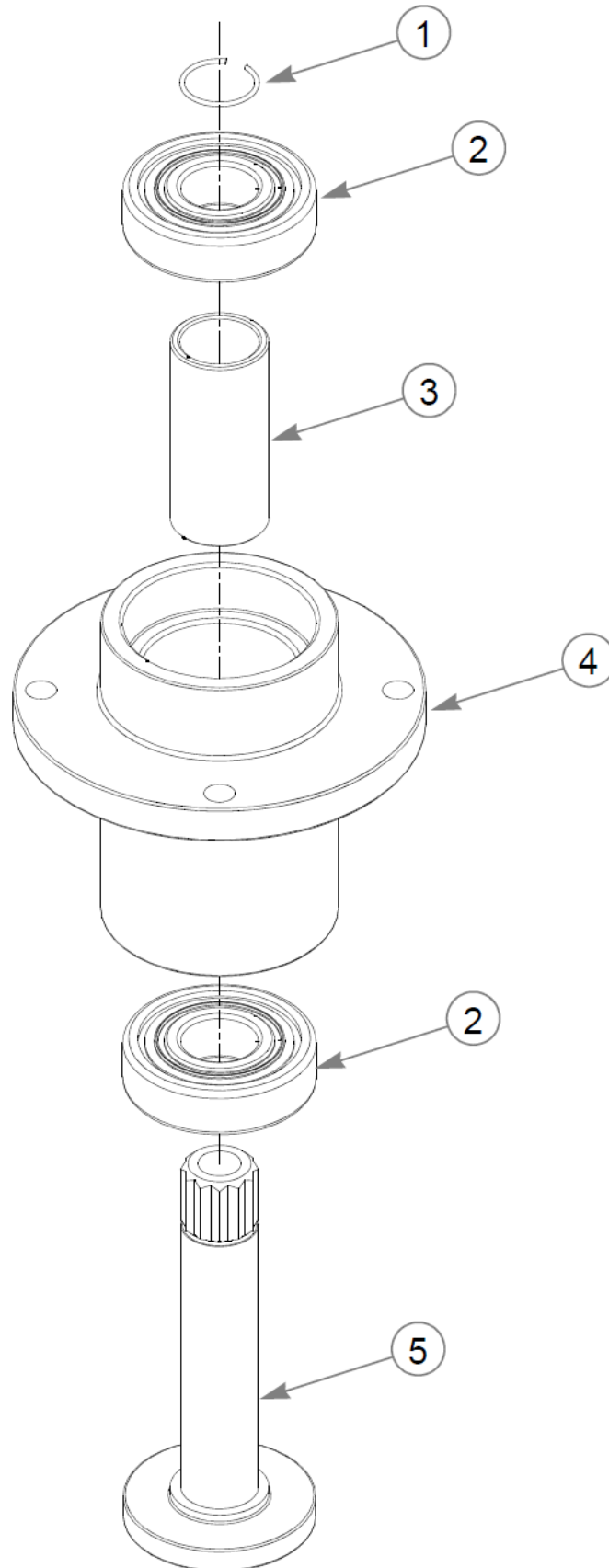
1. Torque to 99 N•m.
2. The plastic wheel assembly includes hardware.



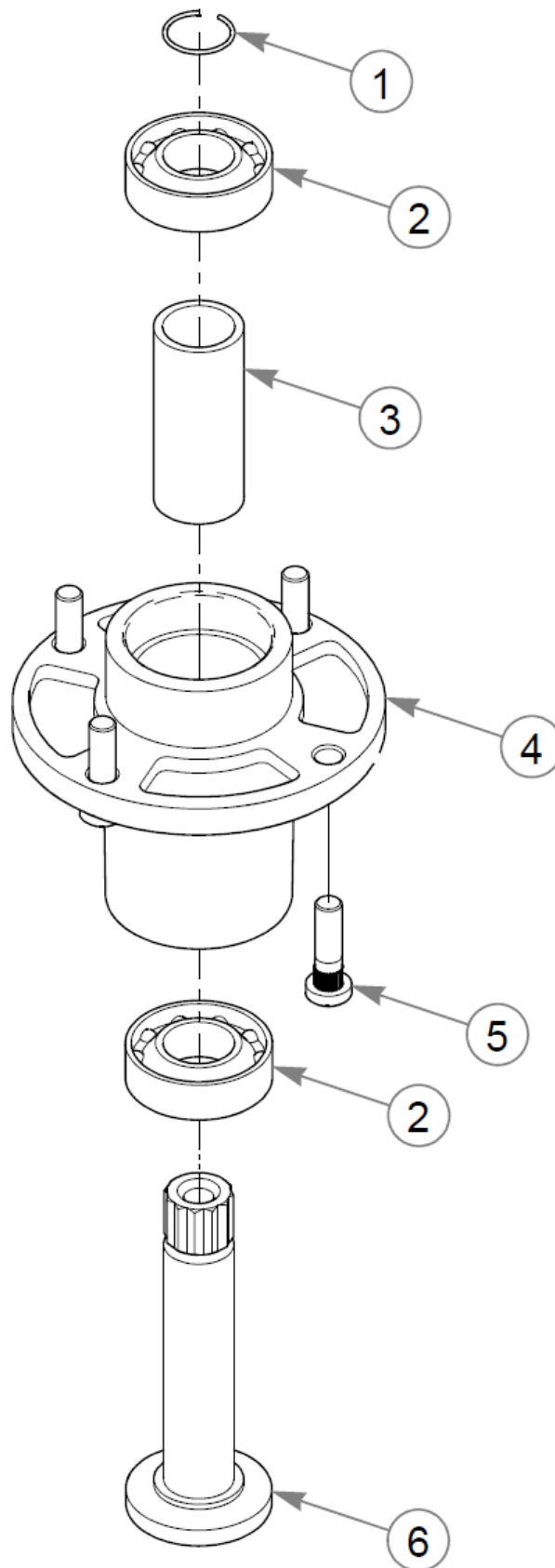
Item	Part No.	Qty	Name
1	601806	1	DISCHARGE CHUTE
2	602591	1	SPRING, TORSION HEAVY
3	601843	1	PIN, CHUTE
4	111067	1	BRACKET, CHUTE
5	767954	6	FW 0.379X.82X.06 HD ZN
6	086660	7	NT .375-16NLG8
7	110821	1	PLATE, CHUTE ADPTR 48"
8	025395	4	CB .375-16X 1.00 G5 ZN
9	771634	1	DECK BELT
10	034280	2	CS .312-18X0.750HXG5
11	712927	2	FW 0.344X1.00X.12 HD ZN
12	602562	2	DECAL, NO SERVICE
13	601984	1	48R PULLEY COVER, RS
14	601985	1	48R PULLEY COVER, LS
15	114518	1	CAP W/A, MULCH 48"
16	108225	2	Baffle Mulch,48" Common
17	796623	3	BLADE, 16.50"-MUL-F-CW
18	782474	3	CW .678 X 2.250 X .187
19	781872	3	CS .625-11X1.250HXG5
20	601123	3	BLADE, 16.50"-L-F-CW
Not Shown	796631	3	BLADE, 16.50"-GAT-F-CW
Not Shown	795757	3	BLADE, F16.50"-H-F-CW
21	111999	2	BAFFLE, "A" BLOWOUT
22	016253	2	CB .312-18X .750 FUL ZN
23	058776	2	NT .312-18NLG5
24	768523	2	FW 0.343SAE

Comments for Page: 48" Side Discharge Deck

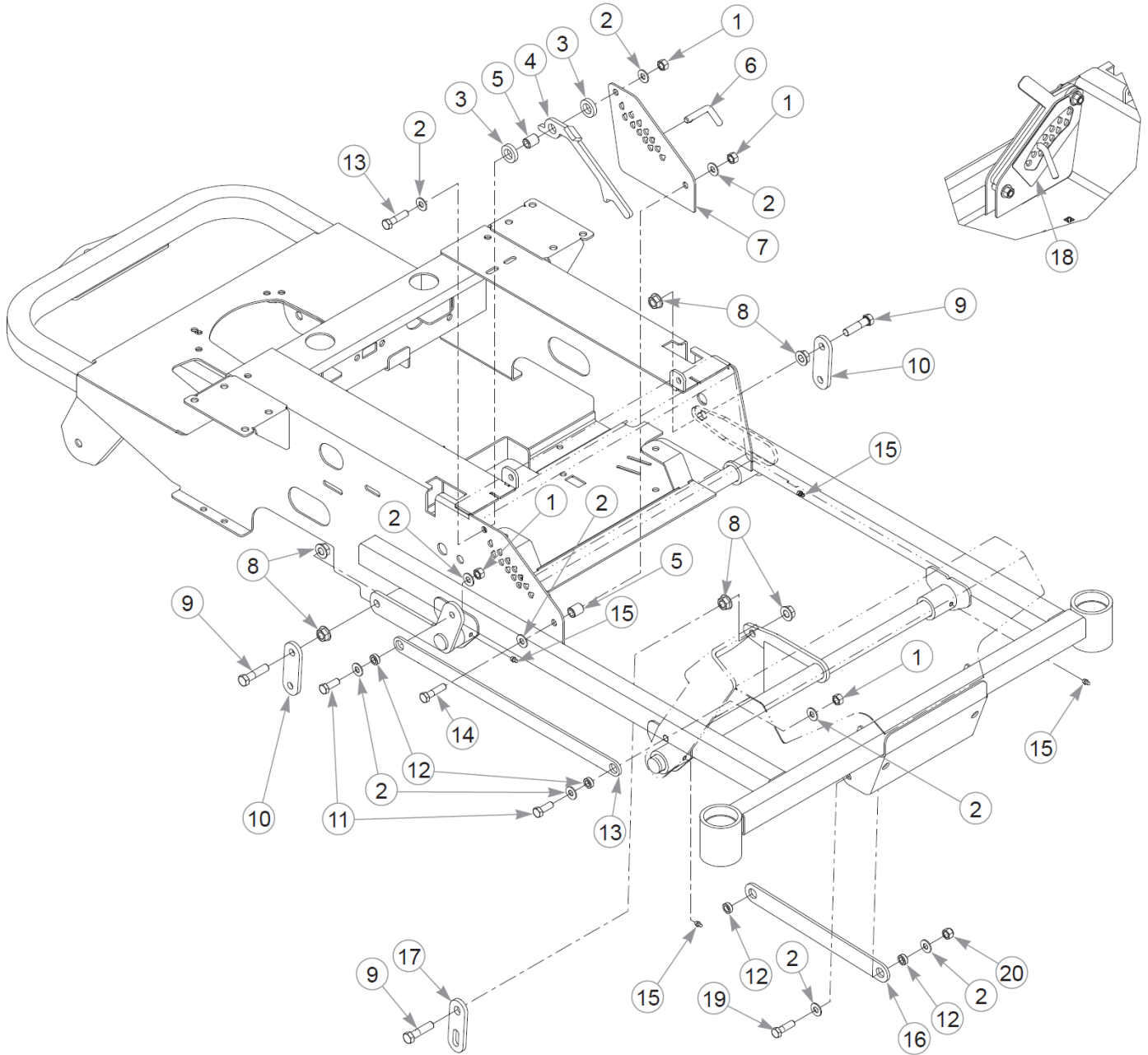
1. Torque to 160 N•m.
2. These items must be used when the mulch system is removed.
3. Do not torque; the discharge chute must pivot freely.



Item	Part No.	Qty	Name
1	783548	1	RING, BLADE SPINDLE RET
2	783555	2	S/C TO 607275
Not Shown	607275	2	BLADE SPINDLE BEARING
3	783530	1	SPACER, BLADE SPINDLE
4	783514	1	HOUSING, BLADE SPINDLE
5	783522	1	SHAFT, BLADE SPINDLE



Item	Part No.	Qty	Name
1	783548	1	RING, BLADE SPINDLE RET
2	601827	2	BEARING, 6205 2RST C3
3	601830	1	SPACER, BLADE SPINDLE
4	607419	1	SVC, SPINDLE HOUSING
5	607416	4	AXEL BOLT 3/8-16 X 1.375
6	601829	1	SHAFT, BLADE SPINDLE



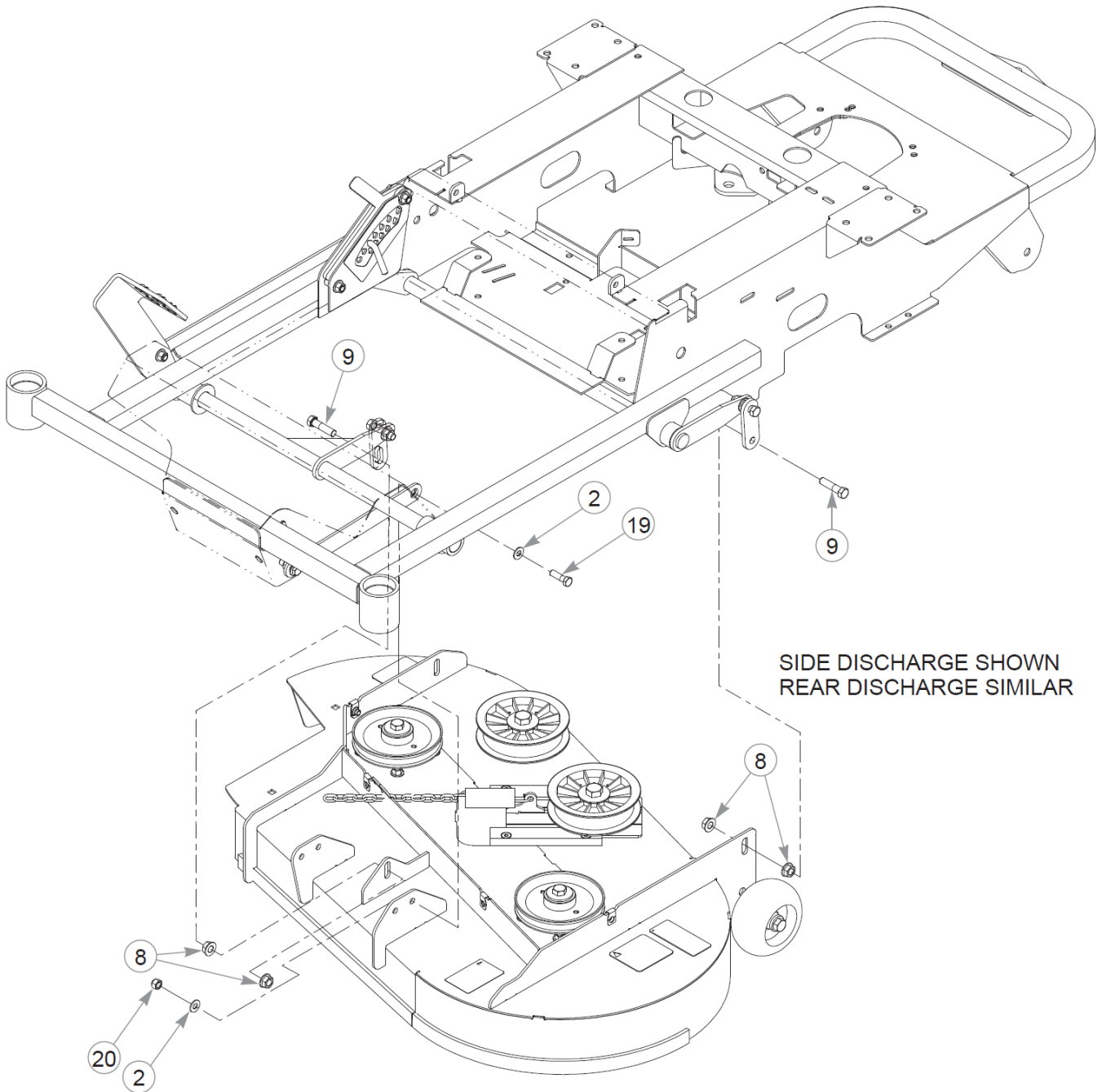
Deck Lift

Sport CE Parts Manual (S/N 11010000 & HIGHER)

Item	Part No.	Qty	Name
1	054502	4	NT .375-16HXG5
2	767954	16	FW 0.379X.82X.06 HD ZN
3	769257	2	FW .656X 1.250X.250 ZN
4	110829	1	HANDLE, DECK HT LOCK
5	348862	2	STEERLEVER BUSHING (PLA
6	601963	1	PIN, DECK HEIGHT STOP
7	550216CE	1	LS DECK ADJUST PLATE
8	704643	12	NT .437-14FLKG5
9	055749	6	CS .437-14X1.750HXG5
10	110929	2	DECK LIFT LINK, NON-SLOT
11	036244	2	CS .375-16X1.00 HX G5 ZN
12	601839	6	PIVOT SPACER BUSHING
13	110884	1	LIFT PEDAL LINK,
14	080655	2	CS .375-16X1.500HXG5
15	015495	4	GREASE FITTING STRAIGHT
16	110879	2	PULLER STRAP,
17	110880	1	DECK LIFT LINK,
18	601814CE	1	DECK HEIGHT DECAL
19	052860	4	CS .375-16X1.25 HX G5 ZN
20	086660	4	NT .375-16NLG8

Comments for Page: Deck Lift

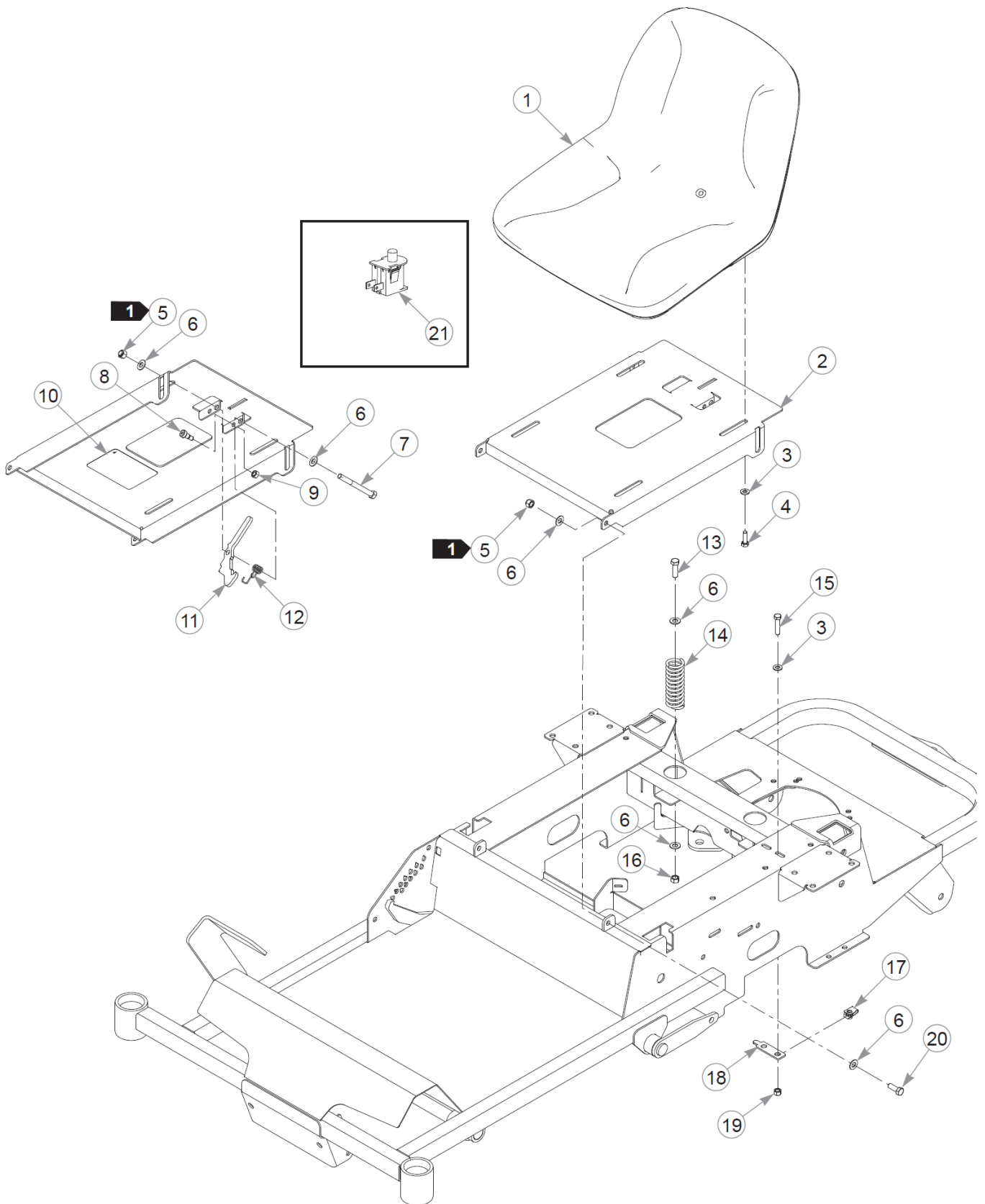
1. The LS deck adjust plate (550216CE) includes the decal (601814CE).



Deck Mounting Hardware

Sport CE Parts Manual (S/N 11010000 & HIGHER)

Item	Part No.	Qty	Name
1	054502	4	NT .375-16HXG5
2	767954	16	FW 0.379X.82X.06 HD ZN
3	769257	2	FW .656X 1.250X.250 ZN
4	110829	1	HANDLE, DECK HT LOCK
5	348862	2	STEERLEVER BUSHING (PLA
6	601963	1	PIN, DECK HEIGHT STOP
7	550216CE	1	LS DECK ADJUST PLATE
8	704643	12	NT .437-14FLKG5
9	055749	6	CS .437-14X1.750HXG5
10	110929	2	DECK LIFT LINK, NON-SLOT
11	036244	2	CS .375-16X1.00 HX G5 ZN
12	601839	6	PIVOT SPACER BUSHING
13	110884	1	LIFT PEDAL LINK,
14	080655	2	CS .375-16X1.500HXG5
15	015495	4	GREASE FITTING STRAIGHT
16	110879	2	PULLER STRAP,
17	110880	1	DECK LIFT LINK,
18	601814CE	1	DECK HEIGHT DECAL
19	052860	4	CS .375-16X1.25 HX G5 ZN
20	086660	4	NT .375-16NLG8



Seat

Sport CE Parts Manual (S/N 11010000 & HIGHER)

Item	Part No.	Qty	Name
1	601807	1	SEAT, MILSCO
2	550853	1	SVC PART, SEAT PAN
3	768523	6	FW 0.343SAE
4	079186	4	CS .312-18X1.250HXG5
5	086660	3	NT .375-16NLG8
6	767954	10	FW 0.379X.82X.06 HD ZN
7	005108	1	CS .375-16X3.500HXG5
8	754358	1	SB0.375X0.375SH0.312-18
9	034272	1	NT .312-18HXG5
10	601815	1	DECAL, BATTERY WARNINGS
11	603101	1	LATCH, SEAT
12	783910	1	SPRING, TORSION
13	052860	2	CS .375-16X1.25 HX G5 ZN
14	793851	2	SPRING,COMP 1.25X4.00X.
15	756270	2	CS .312-18X1.500HXG5
16	054502	2	NT .375-16HXG5
17	601069	2	CN .312-18x.200 MAX THK
18	110876	1	CATCH, SEAT PAN
19	070557	2	NT .312-18UNTG5
20	036244	2	CS .375-16X1.00 HX G5 ZN
21	793315	1	SWITCH, SNAP MOUNT

Comments for Page: Seat

1. Do not torque; the seat pan & latch must pivot freely.
2. The seat pan (550853) includes the decal (601815).
3. Service part for the seat 793315 (seat switch).