

Hustler® Parts Manual



HUSTLER®
TURF EQUIPMENT

200 South Ridge Road

Hesston, Kansas

67062



NOTICE OF REQUIREMENT OF SPARK ARRESTER MUFFLER

This equipment may create sparks that can start fires around dry vegetation. California Public Resources Code Section 4442.6 provides that it is unlawful to use or operate an internal combustion engine on any forest-covered, brush-covered, or grass-covered land unless the engine is equipped with a spark arrester maintained in effective working order. A spark arrester is a device constructed of nonflammable materials specifically for the purpose of removing and retaining carbon and other flammable particles over 0.0232 of an inch in size from the exhaust flow of an internal combustion engine that uses hydrocarbon fuels or which is qualified and rated by the United States Forest Service. Other states or federal areas may have similar laws. The Operator Should Contact Local Fire Agencies For Laws or Regulations Relating to Fire Prevention Requirements. **THIS EQUIPMENT DOES NOT HAVE A SPARK ARRESTER AND YOU SHOULD CONTACT YOUR AUTHORIZED DEALER FOR THE PURCHASE OF A SPARK ARRESTER.**

Inspect spark arrester daily; replace every 500 hours or as needed.

The Engine Owner's Manual provides information regarding the U.S. Environmental Protection Agency (EPA) and the California Emission Control Regulation of emission systems, maintenance and warranty.

Keep Engine Owner's Manual with your unit. Should the Engine Owner's Manual become damaged or illegible, replace immediately. Replacements may be ordered per the information found in the Product Information section of the owner's manual.

Federal law and California State law prohibit the following acts or the causing thereof:

1. The removal or rendering inoperative by any person other than for purposes of maintenance, repair, replacement, of any device or element of design incorporated into any equipment for the purposes of emissions control prior to or after its sales or delivery to the ultimate purchaser or while it is in use, or
2. The use of the equipment after such device or element of design has been removed or rendered inoperative by any person.

General Information Page	1
Frame & Engine Guard	
Frame	2-1
Engine Guard	2-2
Transmissions, Drive Belt, Steering & Brake	
Transmissions & Drive Belt	3-1
Transmission Service Parts (Multi-Page)	3-2
Steering	3-3
Steering Cover Assembly (Multi-Page)	3-4
Left Steering Box Assembly	3-5
Right Steering Box Assembly	3-6
Brake	3-7
Wheels & Tires	
Wheels & Tires	4-1
Front Wheel & Fork	4-2
Front Wheel Service Parts - 606745	4-3
Drive Wheel Assembly	4-4
Engine, Muffler, Clutch & Fuel System	
Engine Guard	5-1
Engine, Muffler & Clutch (Multi-Page)	5-2
Engine Service Parts - FX850V	5-3
Fuel System	5-4
LS Fuel Tank Service Parts - 607876	5-5
RS Fuel Tank Service Parts - 607877	5-6
Instrument Panel, Wire Harness & Battery	
Instrument Panel & Wire Harness	6-1
Battery	6-2
Deck, Deck Belt, Blades & Deck Lift	
Service Deck	7-1
Deck Pulleys & Spindles	7-2
Spindle Assembly Service Parts - 607407	7-3
Deck, Deck Belt & Blades (Multi-Page)	7-4
Deck Lift & Deck Height (Multi-Page)	7-5
Dust Shield	7-6
Seat & ROPS	
Seat & Floor Pan	8-1
Seat Service Parts - S/N 19080564 & HIGHER	8-2
ROPS	8-3

General Information

Note: When ordering parts, you must use the part number as shown for each part, not the index number. Always give the model and serial number to your parts and service representative.

Note: Items sold in bulk such as seals and hoses are sold by the foot.

Using This Manual

This manual is part of a service package for the Hustler® mowers. Use of this manual in conjunction with other Hustler® mower and component manuals will provide the information necessary to service and maintain Hustler® mowers.

This Parts Manual provides a complete parts listing for the unit. Use this manual when ordering parts. Illustrations used were current at the time of printing, but subsequent production changes may cause your machine to vary slightly in detail. Excel Industries, Inc. reserves the right to redesign and change the machine as deemed necessary, without notification. If a change has been made to your machine which is not reflected in this parts manual, see your authorized dealer for current information and parts.

The Service Manual is a service guide for use by Service Technicians. It provides the necessary information needed to perform normal maintenance requirements on these units.

The Operator's Manual provides fundamental operational information and operational safety that is needed when operating the mower.

The component manuals are furnished by the various manufacturers to be used for the troubleshooting and servicing of their products.

Hardware Description Codes & Abbreviations

The following codes are used throughout this parts manual. Refer to this list when ordering parts.

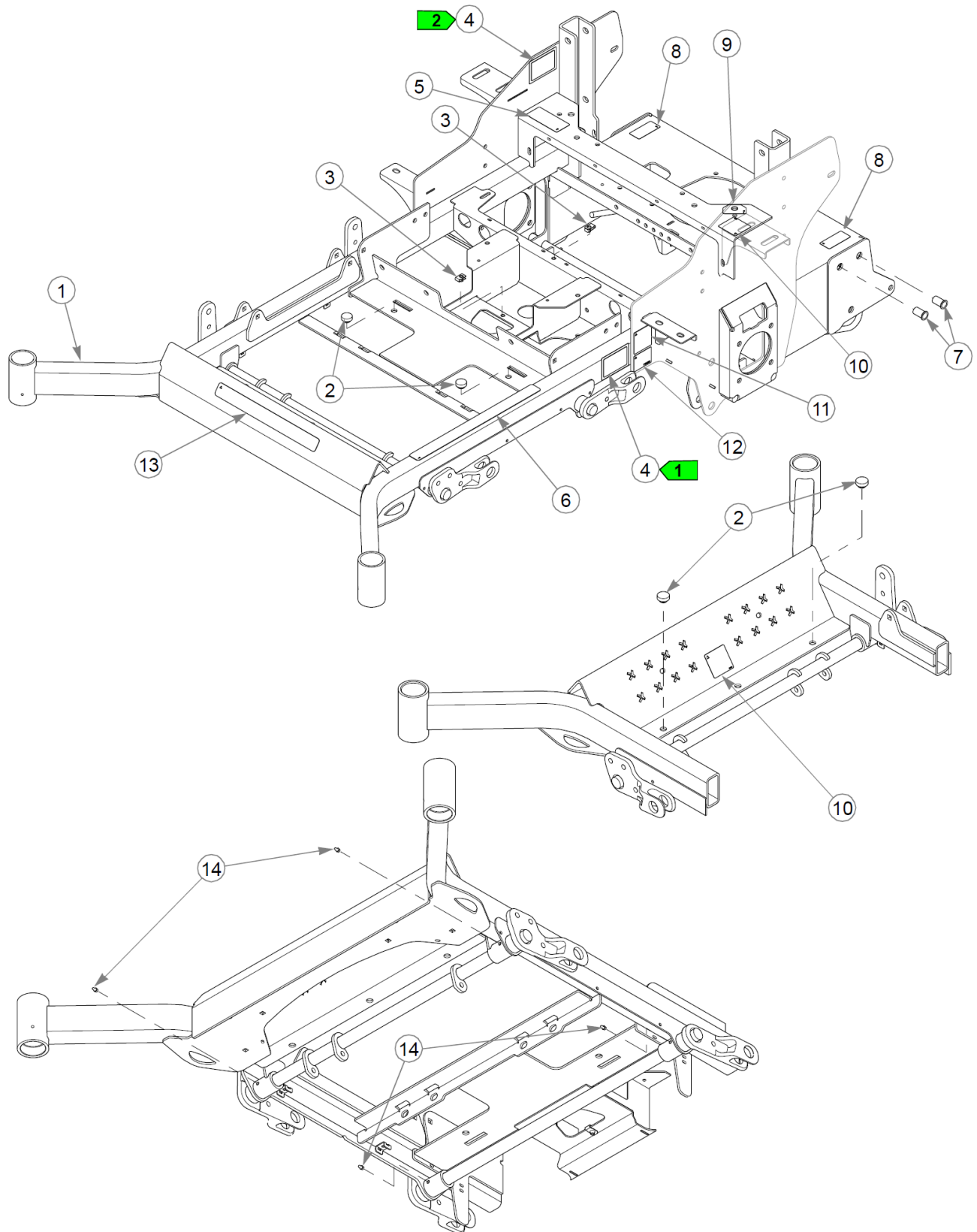
ABBREVIATION	DESCRIPTION	ABBREVIATION	DESCRIPTION
CB	CARRIAGE BOLT	MB	MACHINE BUSHING
CE	CLEVIS PIN	MS	MACHINE SCREW
CN	CLIP NUT	NT	NUT
CP	COTTER PIN	SC	SELF TAPPING CAP SCREW
CS	CAP SCREW	SH	SOCKET HEAD
CW	CUP WASHER	SB	SHOULDER BOLT
FDRW	FENDER WASHER	SS	SET SCREW
FW	FLAT WASHER	OD	OUTSIDE DIAMETER
HX	HEX HEAD	ID	INSIDE DIAMETER
LW	LOCK WASHER	WN	WELD NUT

Standard Torques

The following chart lists the standard torque values for the threaded fasteners found in this manual. Torque all cap screws, nuts and set screws to these values unless a different torque is shown in the Notes section next to the fastener.

SIZE	FT-LBS	N•M	SIZE	FT-LBS	N•M
.250	8.2	11.1	M3	1	1.3
.312	17	23	M4	2.2	3
.375	30	40	M5	4.5	6.1
.438	48	65	M6	7.7	10.4
.500	73	99	M8	18.5	25
.562	105	143	M10	37	50
.625	145	200	M12	64	87
.750	260	350	M14	80	108.5
.875	420	565	M16	160	215
1.00	625	850	M20	320	435
			M24	555	750

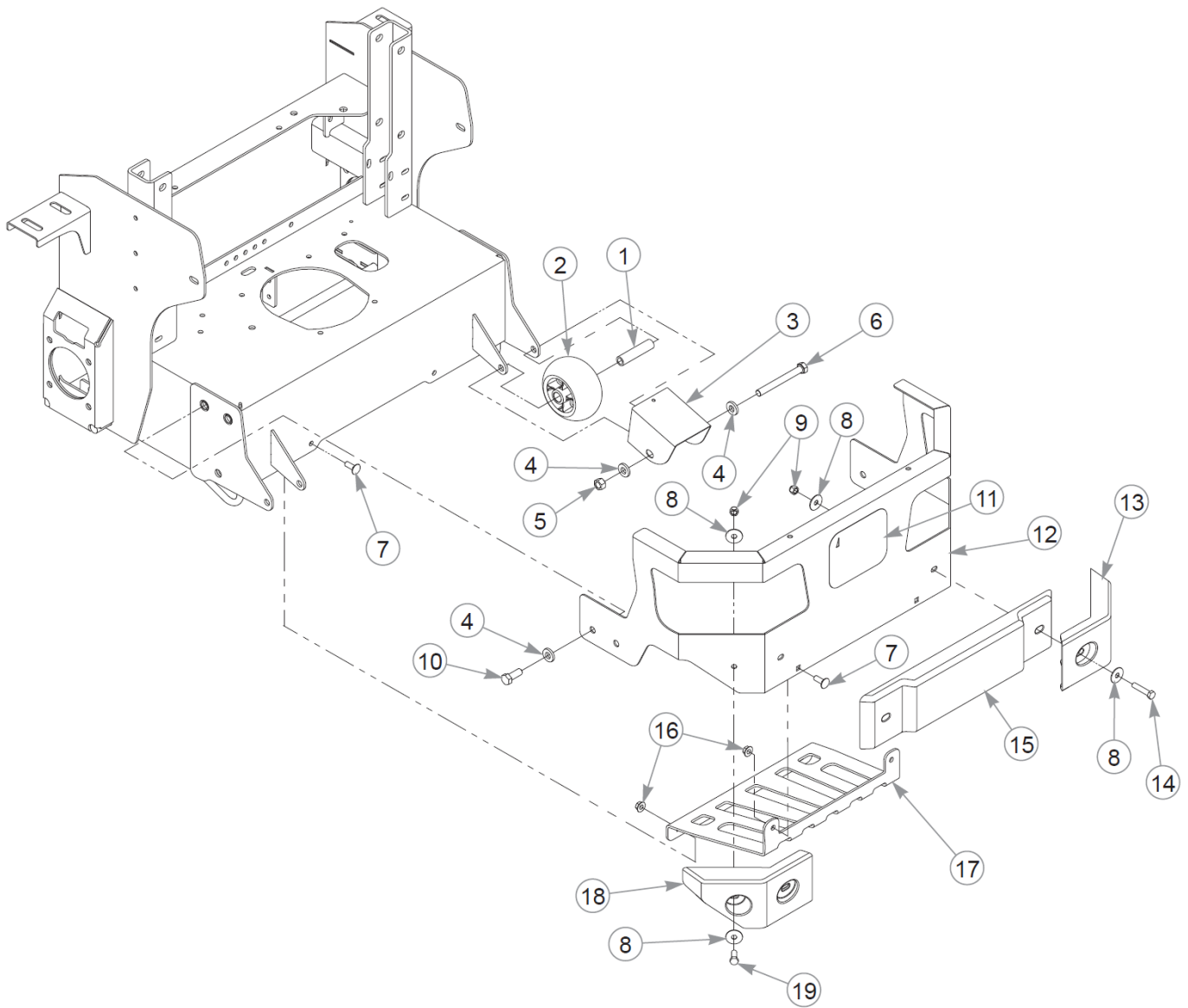
This page intentionally left blank



Item	Part No.	Qty	Name
1	554284	1	SVC FRAME
2	781880	4	BUMPER, .500x 1.00x .31
3	601982	2	CN .250-20X .150 MAX THK
4	N/A	2	SERIAL NUMBER / SPEC DECAL
5	601967	1	DECAL, ENGINE COMPART
6	601993	1	DECAL, SAFE OPERATION
7	600961	4	RIVET NUT, 1/2-13 THREAD
8	602041	2	DECAL, HOT
9	791848	1	DECAL, FUEL INDICATOR- M
10	602562	2	DECAL, NO SERVICE
11	789776CE	1	DBA LIMIT DECAL
12	602407	1	DECAL, HUSTLER ID
13	015495	4	GREASE FITTING STRAIGHT

Comments for Page: Frame

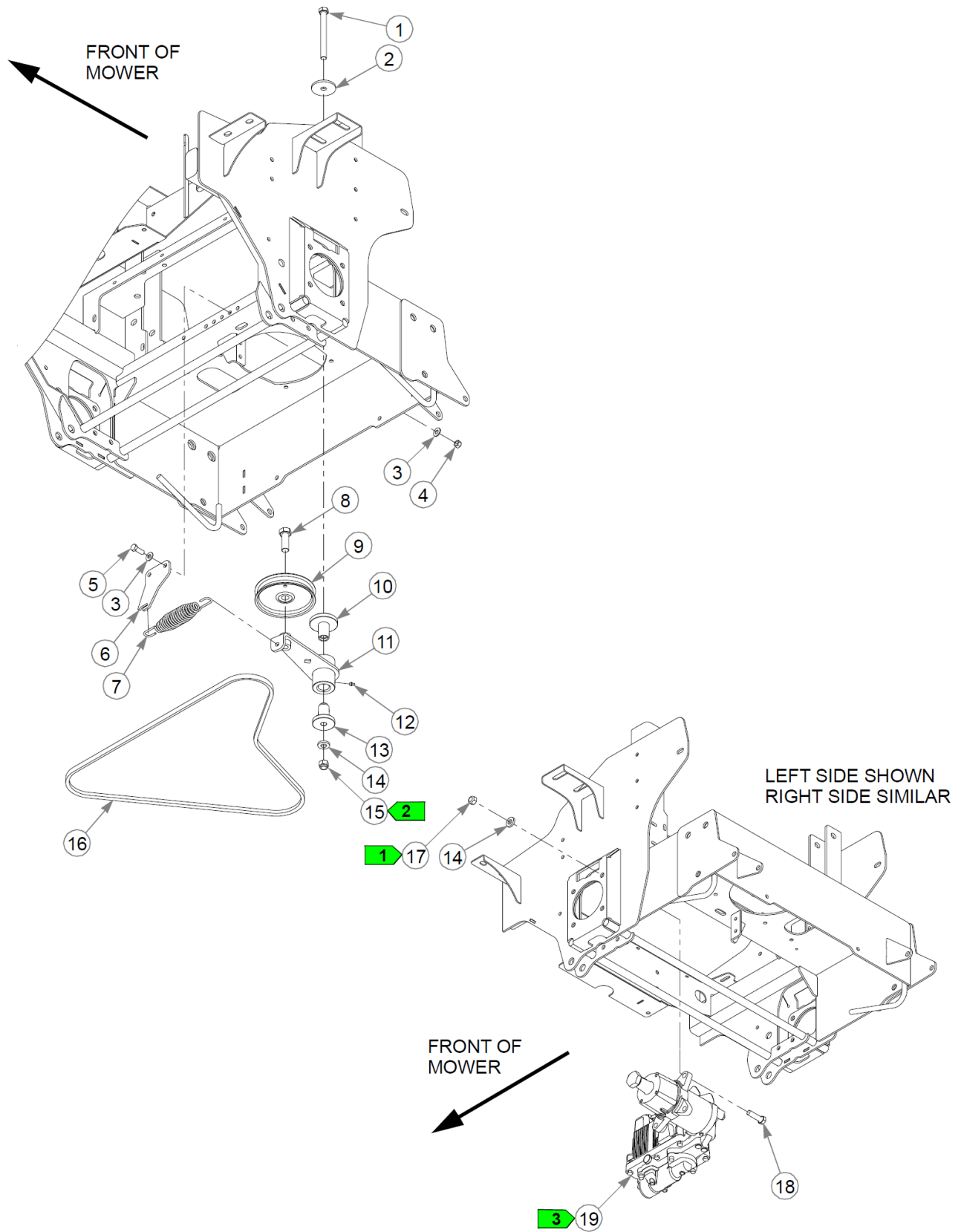
1. In the event the serial number decal becomes damaged or illegible, please contact your dealer to order a replacement.
2. EPA compliance decal.



Engine Guard

60" X-ONE Parts Manual - 943456CE -
HTX1TR060KAWFX850VC

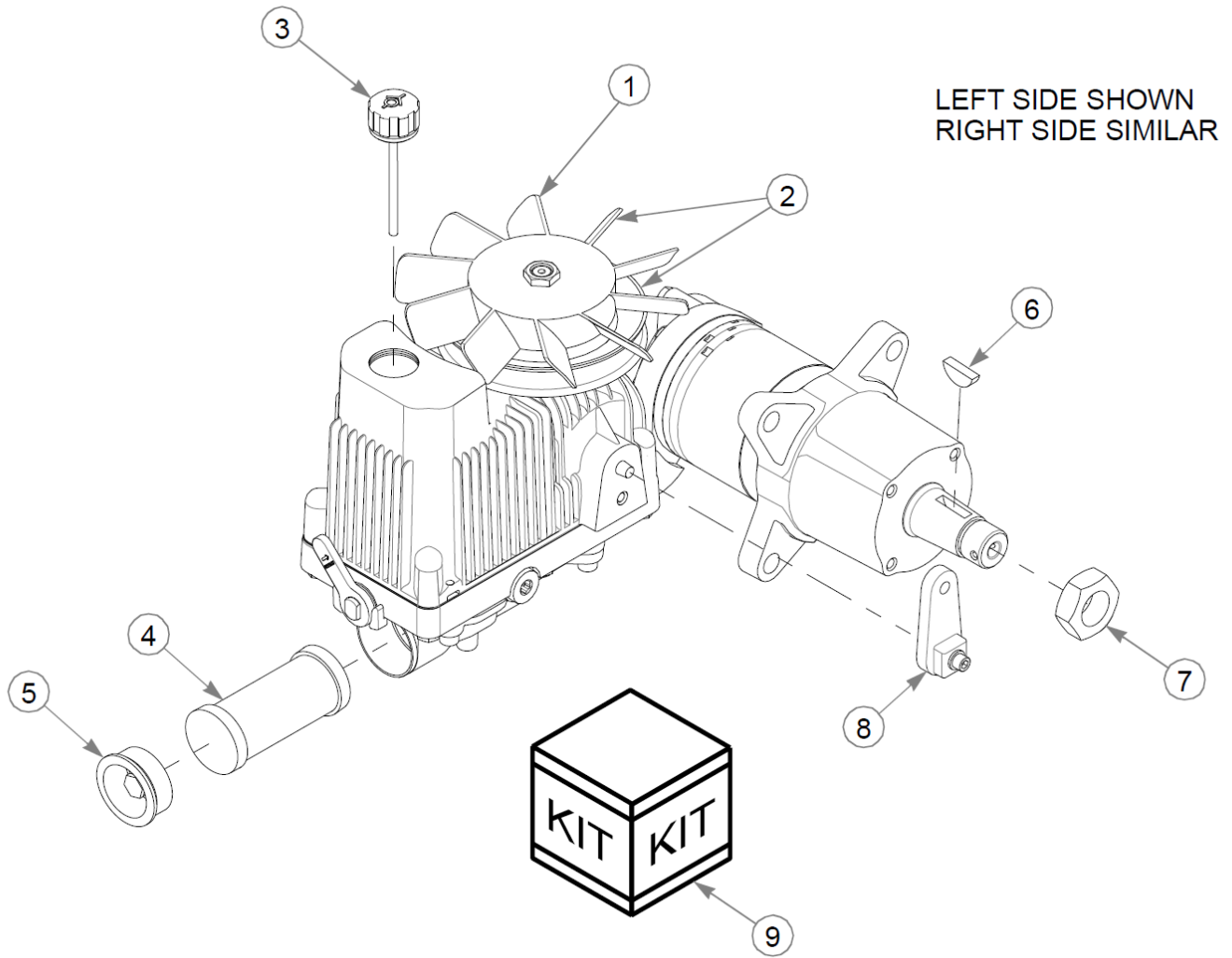
Item	Part No.	Qty	Name
1	602345	2	SPACER, ANTI-SCALP 3.22
2	602263	2	WHEEL, ANTI-SCALP
3	377994	2	HEAT SHIELD, MMZ ROLLER
4	767962	8	FW .531 x 1.063 x .175
5	008193	2	NT .500-13HXG5
6	068239	2	CS .500-13X4.500HXG5
7	025395	4	CB .375-16X 1.00 G5 ZN
8	705137	8	FW 0.391X1.25X.06 ZN
9	086660	4	NT .375-16NLG8
10	705954	4	CS .500-13X1.25 HX G5 ZN
11	606807	1	DECAL, H LOGO
12	555369	1	SVC, ENGINE GUARD
13	606659	1	PLASTIC BUMPER, RH
14	705178	2	CS .375-16X1.750HXG5
15	606657	1	PLASTIC BUMPER, CENTER
16	016899	4	NT .375-16 FLKG5
17	126190-3	1	MUFFLER GUARD
18	606658	1	PLASTIC BUMPER, LH
19	036244	2	CS .375-16X1.00 HX G5 ZN



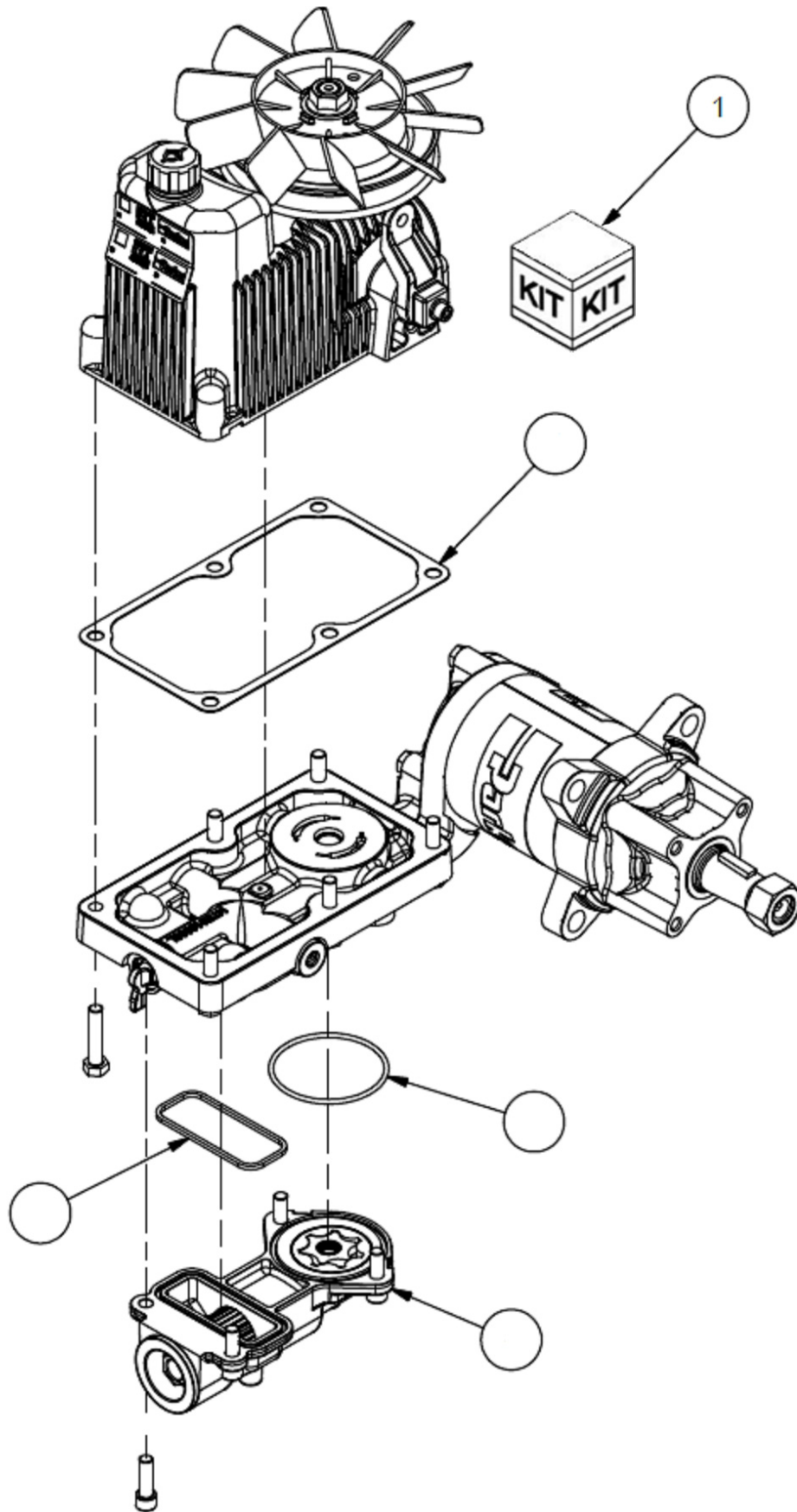
Item	Part No.	Qty	Name
1	051151	1	CS .500-13X5.000HXG5
2	344267	1	FW .510X2.15X.19 ZN
3	767954	4	FW 0.379X.82X.06 HD ZN
4	054502	2	NT .375-16HXG5
5	036244	2	CS .375-16X1.00 HX G5 ZN
6	124432-1	1	IDLER SPRING MOUNT
7	781302	1	IDLER SPRING
8	025007	1	CS .62511X1.750HXG5
9	602304	1	PULLEY, 5" FLAT IDLER
10	602880	1	BUSHING, IDLER PIVOT
11	122905	1	TENSIONER W/A
12	015495	1	GREASE FITTING STRAIGHT
13	602879	1	BUSHING, IDLER PIVOT
14	767962	9	FW .531 x 1.063 x .175
15	781567	1	NT .500-13NLG5
16	606411	1	DRIVE BELT
17	023317	8	NT .500-13UNTG8
18	017616	8	CS .500-13X1.750HXG5
19	606401	1	TRANSMISSION, PARKER HTJ
	606402	1	TRANSMISSION, PARKER HTJ

Comments for Page: Transmissions & Drive Belt

1. Torque to 96–102 N•m.
2. The tensioner must pivot freely.
3. Left side transmission.



This page intentionally left blank



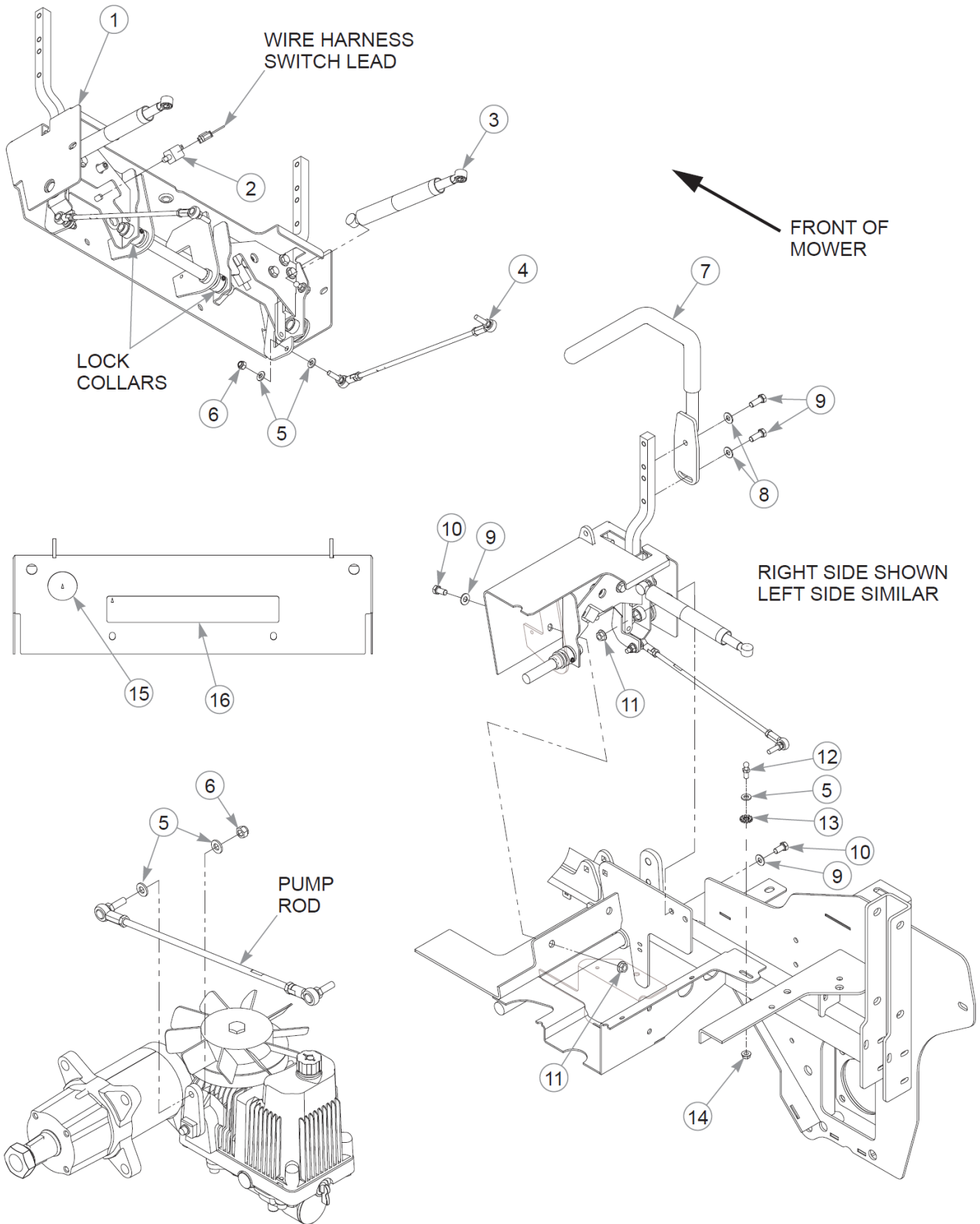
Item	Part No.	Qty	Name
1	607509	1	SERVICE KIT, FAN
2	608370	1	KIT, PULLEY, HTJ
	604132	1	SERVICE KIT, FAN/PULLEY
3	604131	1	RESERVIOR CAP
4	604126	1	HYDRAULIC OIL FILTER
5	604130	1	PLUG & O-RING ASSEMBLY
6	064337	1	ROSS WOODRUFF KEY
7	065516	1	ROSS NUT
8	606461	1	CONTROL LEVER PARKER
9	607751	1	SEAL KIT - HTJ
10	608297	1	SEAL KIT HTE/HTJ SEALS

Comments for Page: Transmission Service Parts (Multi-Page)

1. 608370 is used on mowers S/N 18124866 & HIGHER.

604132 is used on mowers S/N PRIOR TO 18124866.

Steering



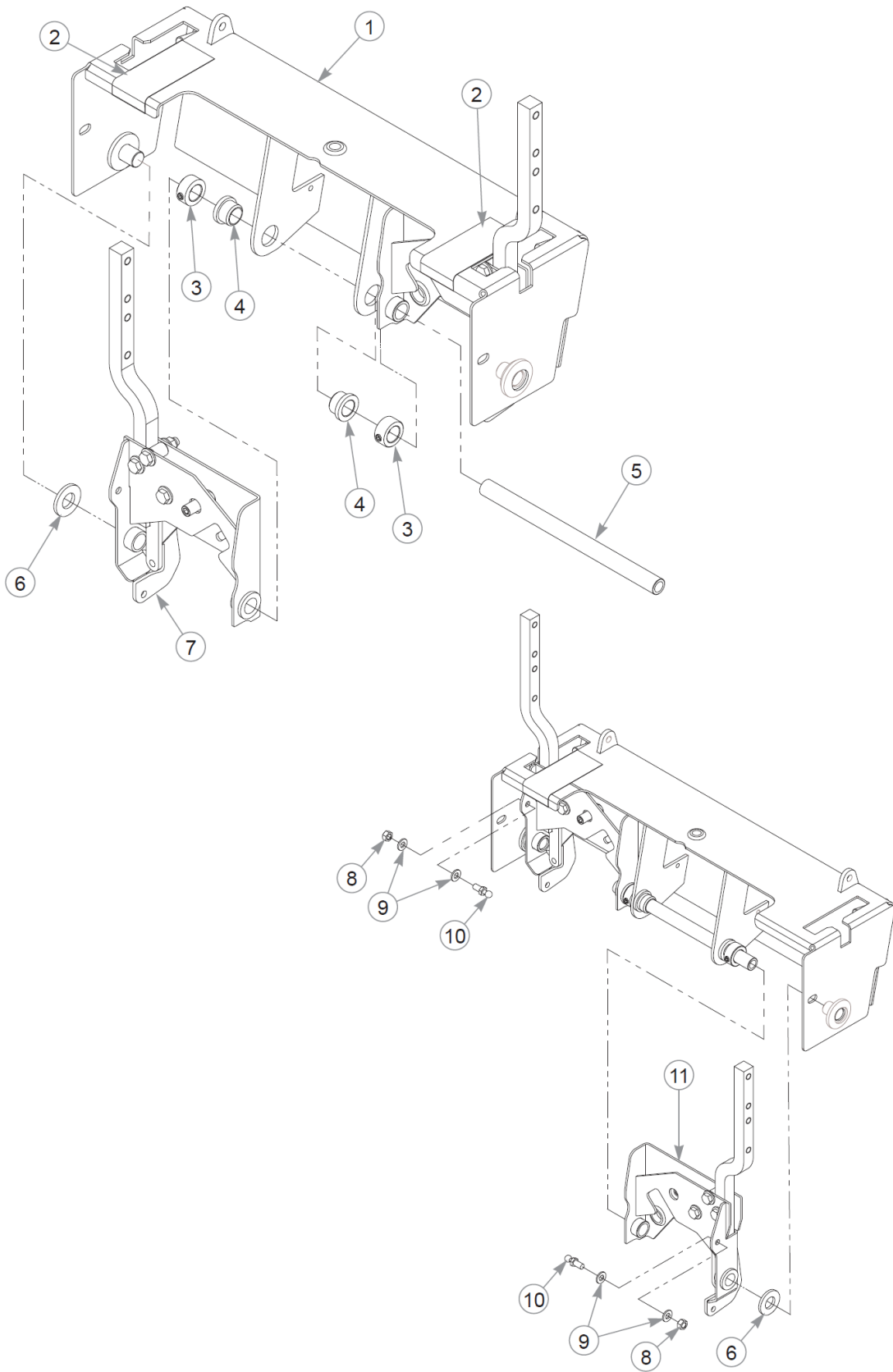
Steering

60" X-ONE Parts Manual - 943456CE -
HTX1TR060KAWFX850VC

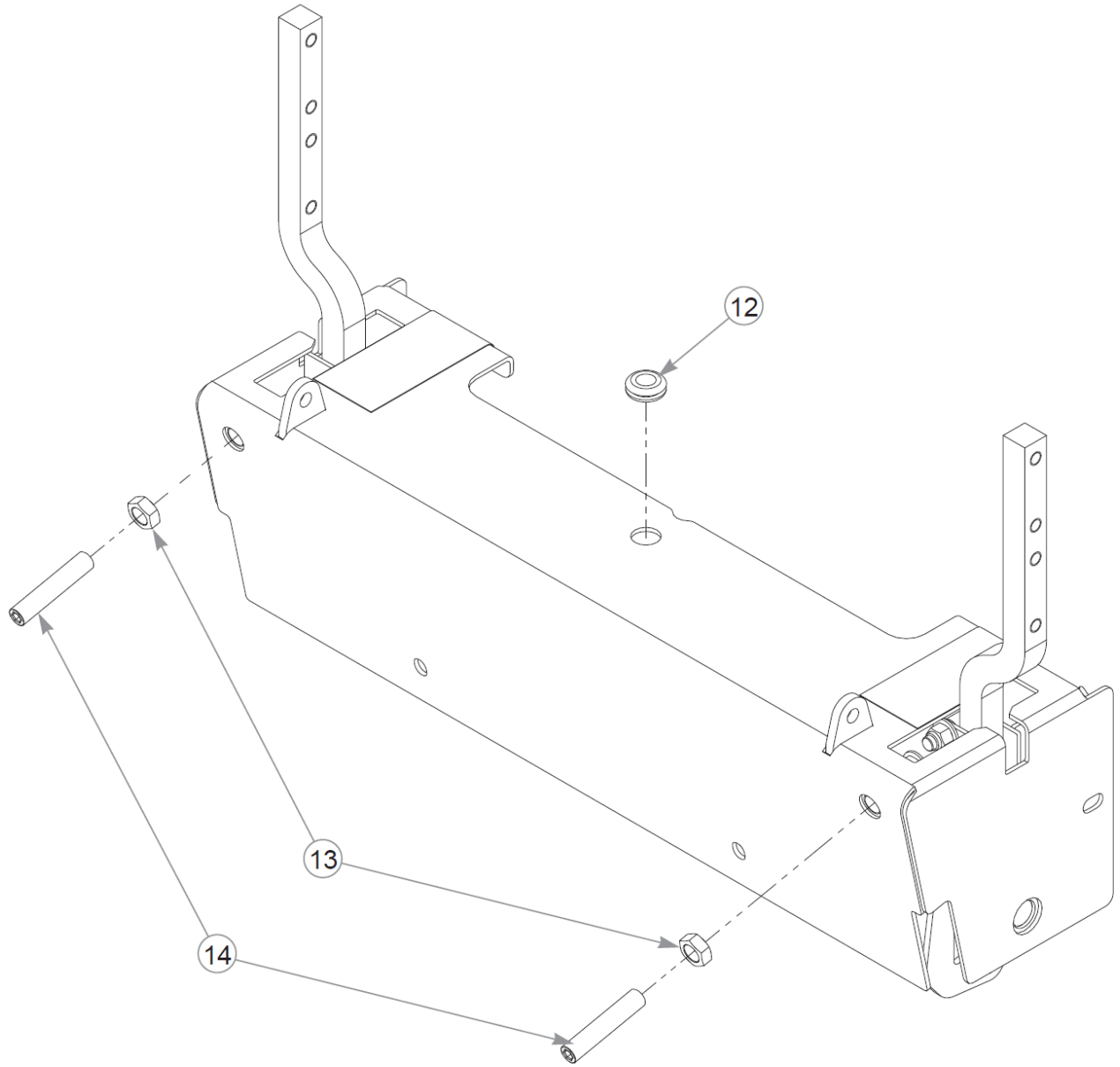
Item	Part No.	Qty	Name
1		1	REFER TO "STEERING COVER ASSEMBLY"
2	601087	2	SWITCH, PLUNGER N.O.
3	795351	2	DAMPER, CENTERING
4	606521	2	PUMP ROD ASSEMBLY
5	768523	10	FW 0.343SAE
6	023655	4	NT 0.312-24 NL G8
7	605924	2	STEERING BAR W/A
	781260	2	GRIP, STEERING BAR
8	767954	8	FW 0.379X.82X.06 HD ZN
9	036244	4	CS .375-16X1.00 HX G5 ZN
10	055822	4	CS .375-16X0.75 HX G5 ZN
11	016899	4	NT .375-16 FLKG5
12	781922	2	BALL STUD
13	029876	2	LW .312 INTEXT ZN
14	016832	2	NT .312-18FLKG5
15	608127	1	DECAL, USA, F&D
16	608098	1	DECAL, X-ONE

Comments for Page: Steering

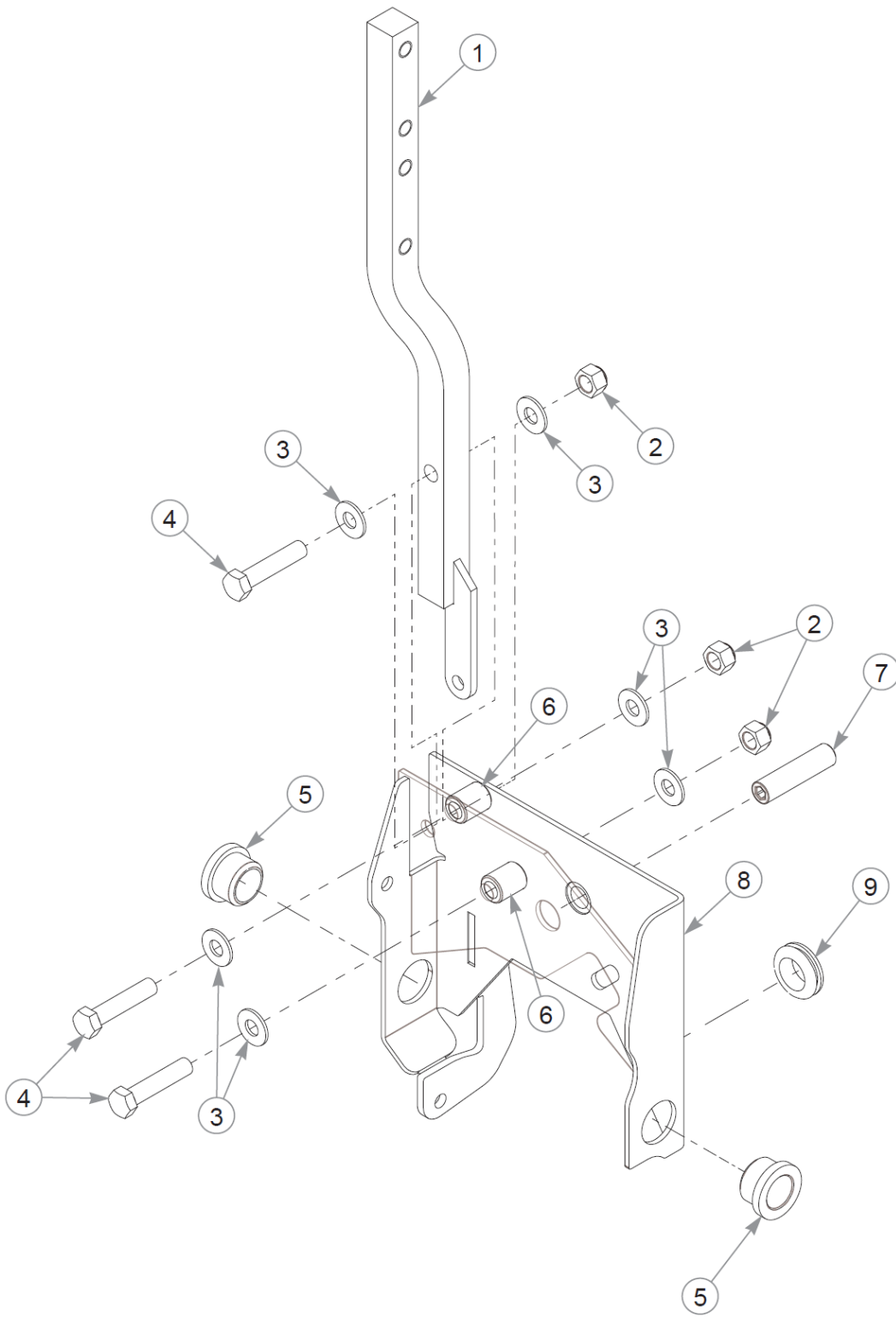
1. The steering handle includes the grip.



This page intentionally left blank



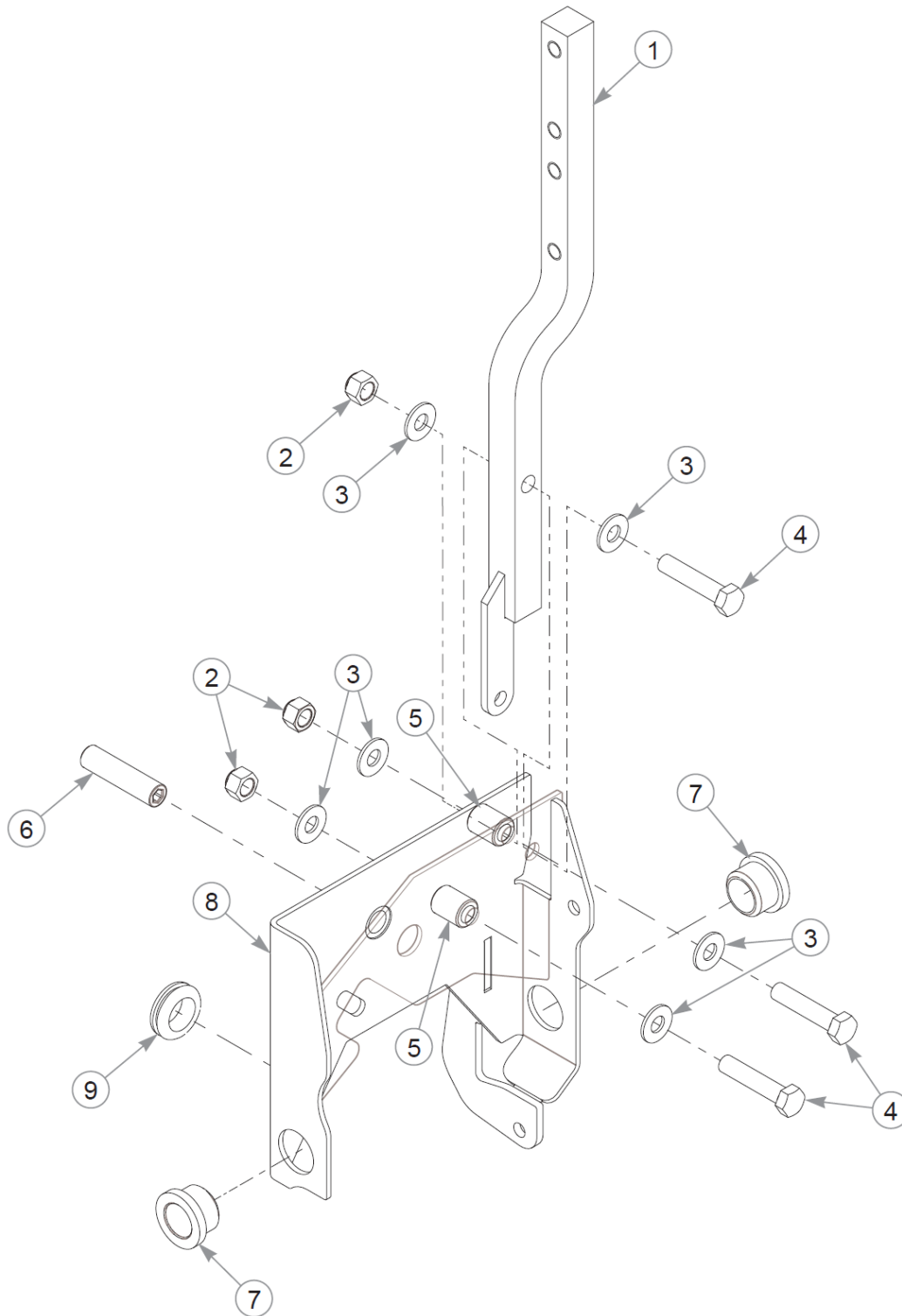
Item	Part No.	Qty	Name
1	112895	1	STEERING COVER W/A, SZ
2	722199P	1	POLYURETHANE 2" FS - 1 FT
3	784439	2	LOCK COLLAR,0.757 ID(FS)
4	608000	2	BUSHING
5	113007	1	STEER PIVOT TUBE, SZ
6	603078	2	FW .750X1.50X.16 ZN
7	606510	1	STEERING BOX SUB, RH
8	034272	2	NT .312-18HXG5
9	768523	4	FW 0.343SAE
10	781922	2	BALL STUD
11	606511	1	STEERING BOX SUB, LH
12	080358	1	GM .50X1.00X.75X.12
13	053199	2	NT .500-13JAMG5
14	603055	2	SS .500-13X 2.50 SH ZN



Left Steering Box Assembly

60" X-ONE Parts Manual - 943456CE - HTX1TR060KAWFX850VC

Item	Part No.	Qty	Name
1	607151	2	STEERING ARM W/A
2	086660	3	NT .375-16NLG8
3	767954	6	FW 0.379X.82X.06 HD ZN
4	705178	3	CS .375-16X1.750HXG5
5	781153	2	BUSHING, UHMW
6	348862	2	STEERLEVER BUSHING (PLA
7	797738	1	SS .500-13X2.000SH
8	123305	1	STEERING BOX W/A, LH
9	047456	1	GM .750X.188X1.00X.12

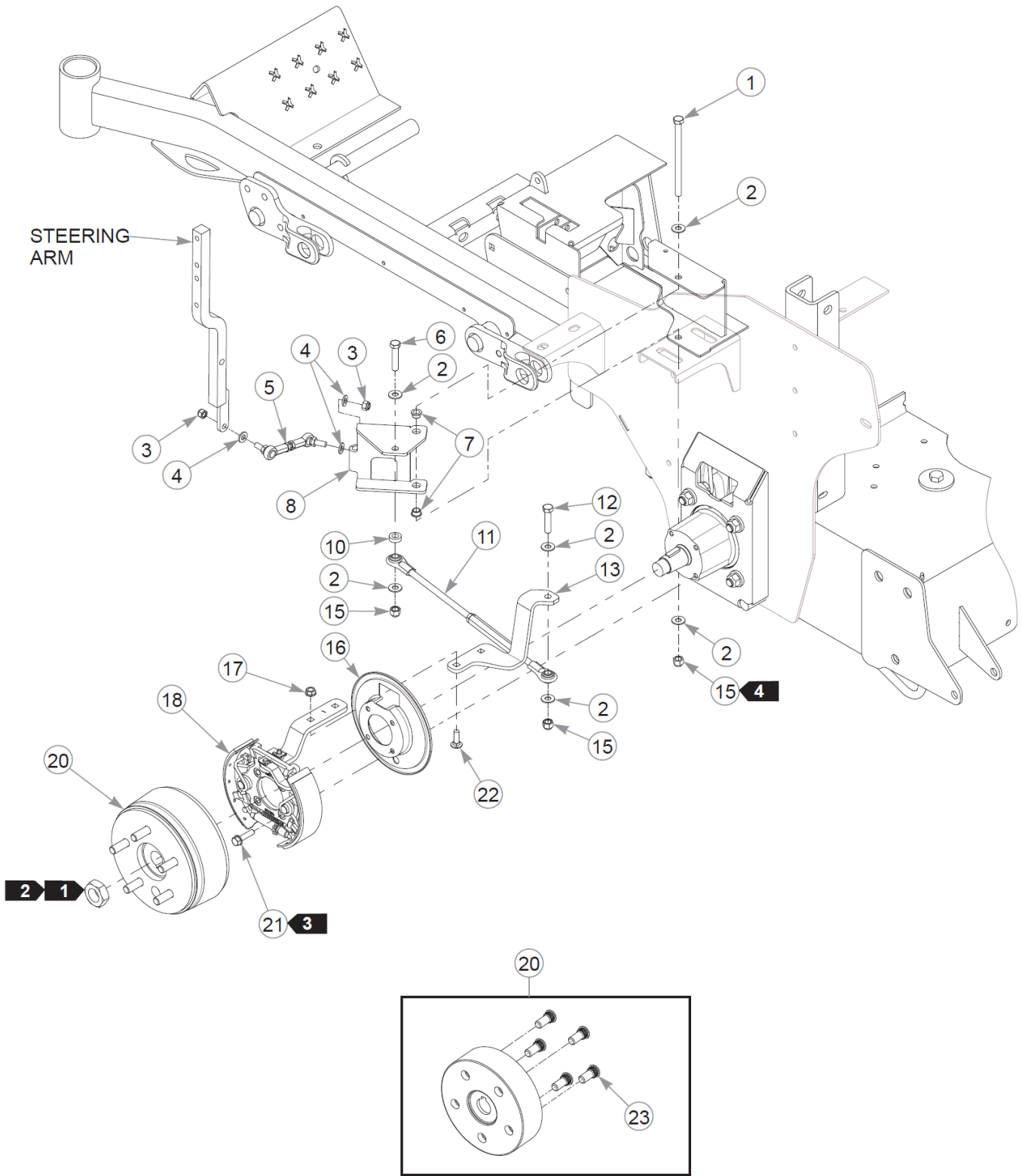


Right Steering Box Assembly

60" X-ONE Parts Manual - 943456CE - HTX1TR060KAWFX850VC

Item	Part No.	Qty	Name
1	607151	1	STEERING ARM W/A
2	086660	3	NT .375-16NLG8
3	767954	6	FW 0.379X.82X.06 HD ZN
4	705178	3	CS .375-16X1.750HXG5
5	348862	2	STEERLEVER BUSHING (PLA
6	797738	1	SS .500-13X2.000SH
7	781153	2	BUSHING, UHMW
8	123306	1	STEERING BOX W/A, RH
9	047456	1	GM .750X.188X1.00X.12

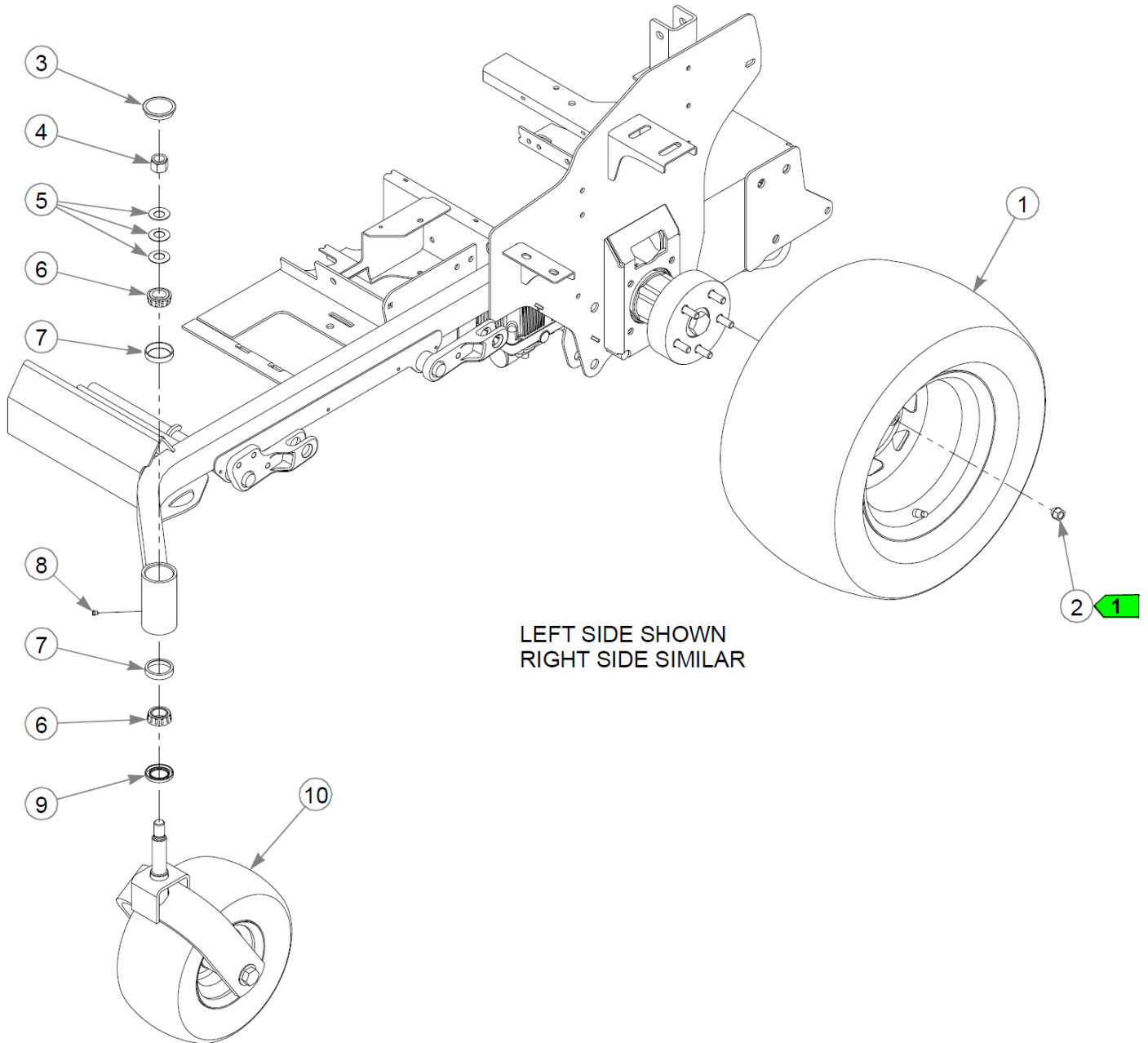
LEFT SIDE SHOWN
RIGHT SIDE SIMILAR



Item	Part No.	Qty	Name
1	748913	2	CS .375-16x5.50 GR5 ZN
2	767954	12	FW 0.379X.82X.06 HD ZN
3	023655	4	NT 0.312-24 NL G8
4	768523	6	FW 0.343SAE
5	781583	2	BRAKE ROD ASSEMBLY
6	705178	2	CS .375-16X1.750HXG5
7	765339	4	BUSHING,IGUS#0608 (FS)
8	126643-3	1	BELLCRANK, LH
9	126644-3	1	BELLCRANK, RH
10	073858	2	FW .406X .750X.250 ZN
11	350397	2	BRAKE LINK TURNBUCKLE A
12	705160	2	CS .375-16X1.625HXG5
13	126646-3	1	EXTENSION, BRAKE ARM, LH
14	126645-3	1	EXTENSION, BRAKE ARM, RH
15	086660	6	NT .375-16NLG8
16	607896	2	DUST SHIELD
17	016832	4	NT .312-18FLKG5
18	607894	1	BRAKE ASSY, LH
19	607895	1	BRAKE ASSY, RH
20	607893	2	DRUM HUB ASSEMBLY
21	607328	8	CS .312-18X1.25HXG8 FL
22	037887	4	CB .312-18X 1.000 FUL ZN
23	601085	10	STUD, WHEEL LUG 1/2-20

Comments for Page: Brake

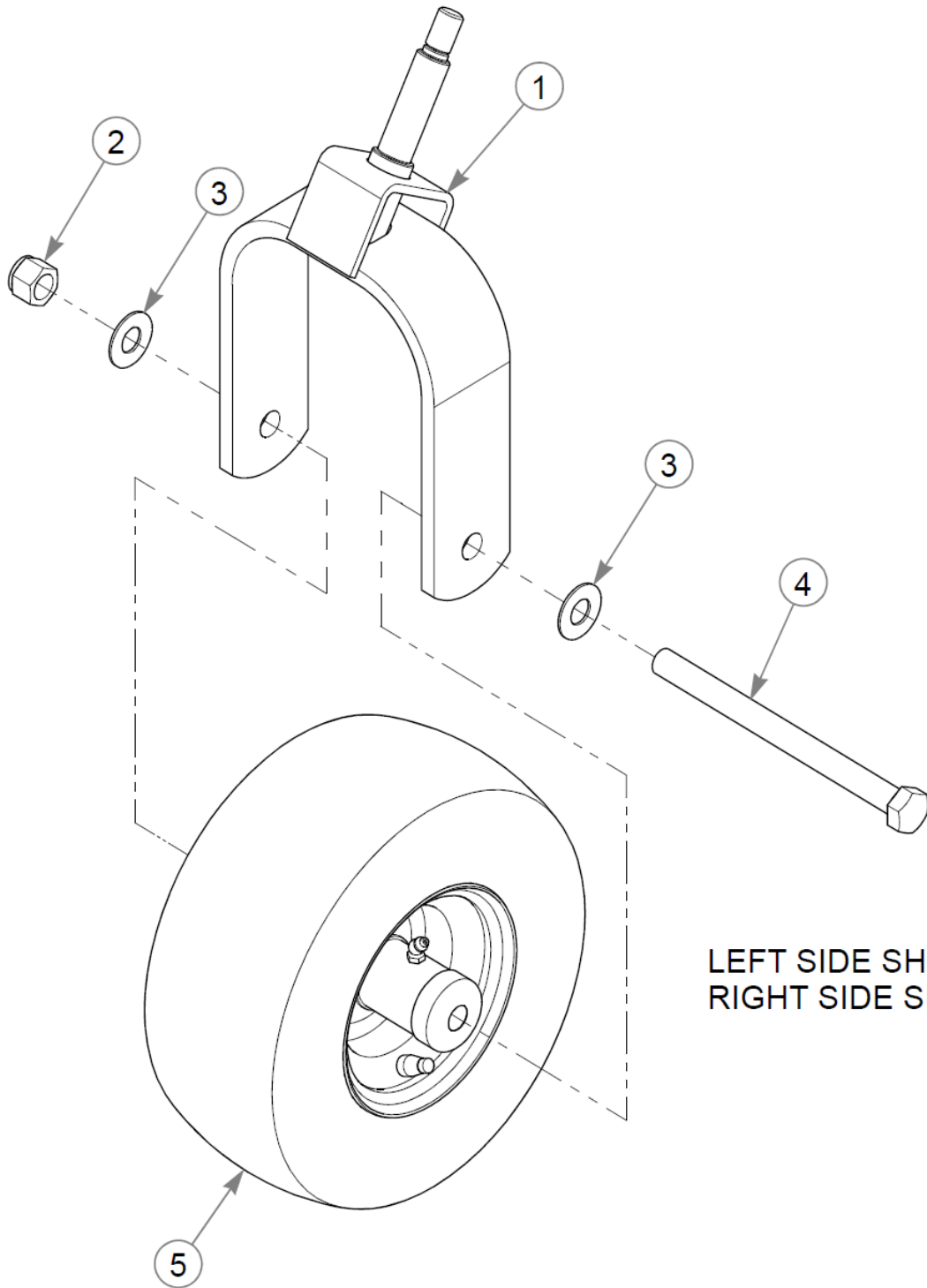
1. Included with the wheel motor.
2. Torque to 298–325 N•m.
3. Torque to 34–38 N•m.
4. Do not torque; the nut should be snug but allow the brake bellcrank to pivot freely.
5. The hub assembly includes the studs.



Item	Part No.	Qty	Name
1	607104	2	TIR/WHL 24X12.00-12 BLK
2	061077	10	WHEEL NUT
3	606711	2	DUST CAP
4	061101	2	NT .750-10 HX ZN NL GR B
5	606715	6	CW 0.766 X 1.50 X .093
6	606712	4	BEARING, TAPERED ROLLER
7	606713	4	RACE, TAPERED ROLLER
8	606817	2	GREASE PLUG
9	606714	2	SEAL, 1.25 X 1.98
10		2	REFER TO "FRONT WHEEL ASSEMBLY"

Comments for Page: Wheels & Tires

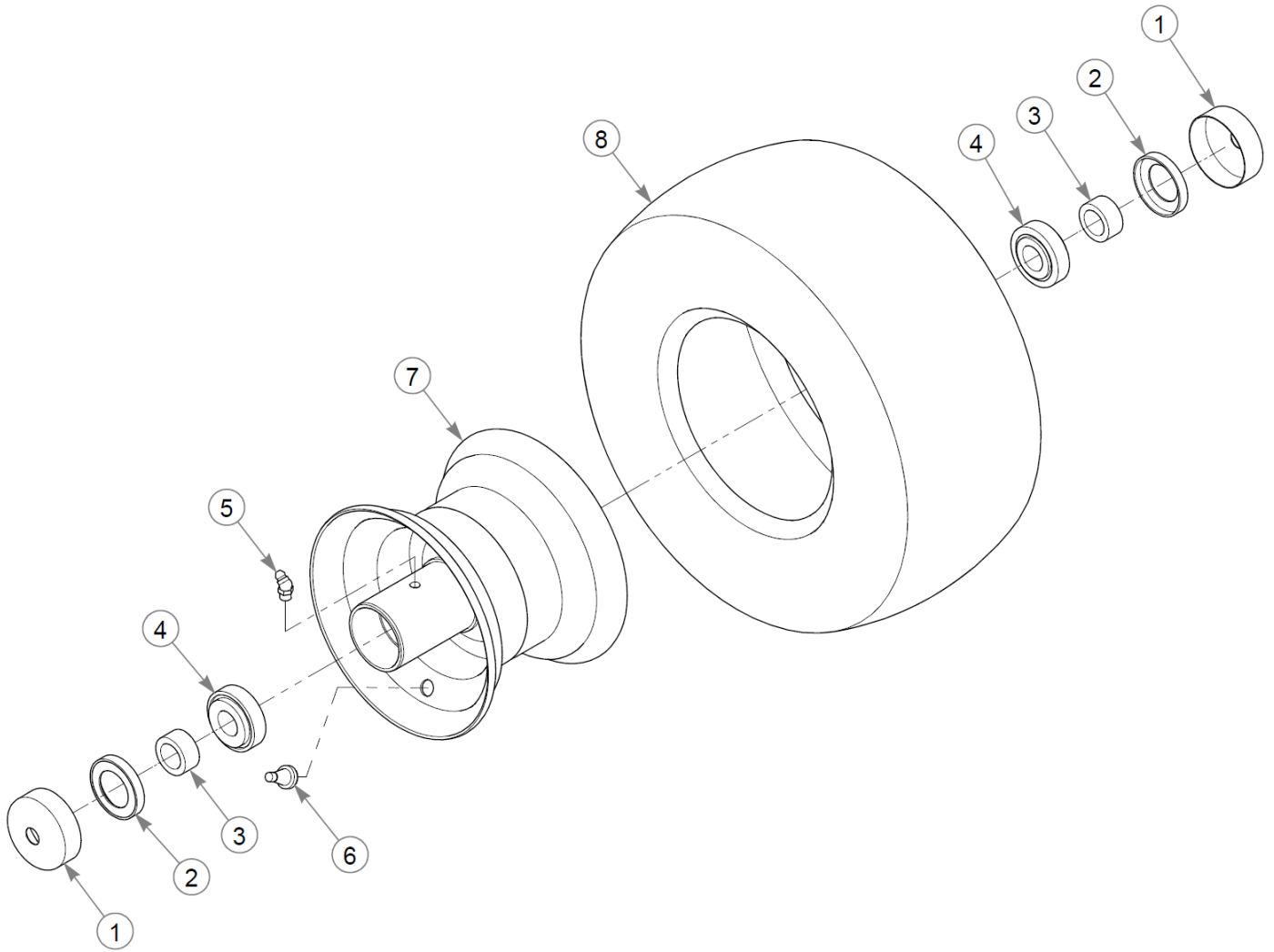
1. Torque to 65–75 ft-lbs.



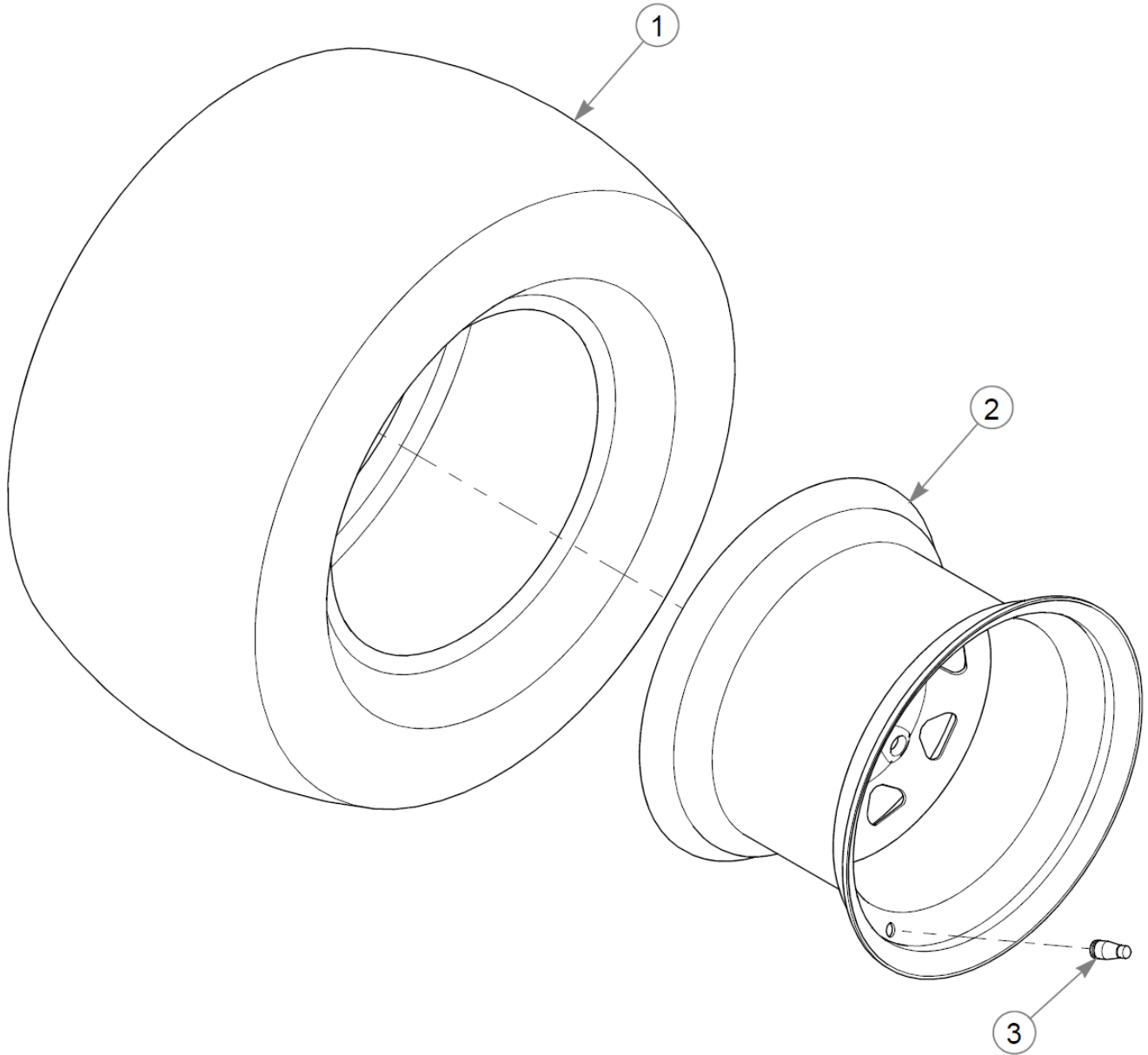
Front Wheel & Fork

60" X-ONE Parts Manual - 943456CE -
HTX1TR060KAWFX850VC

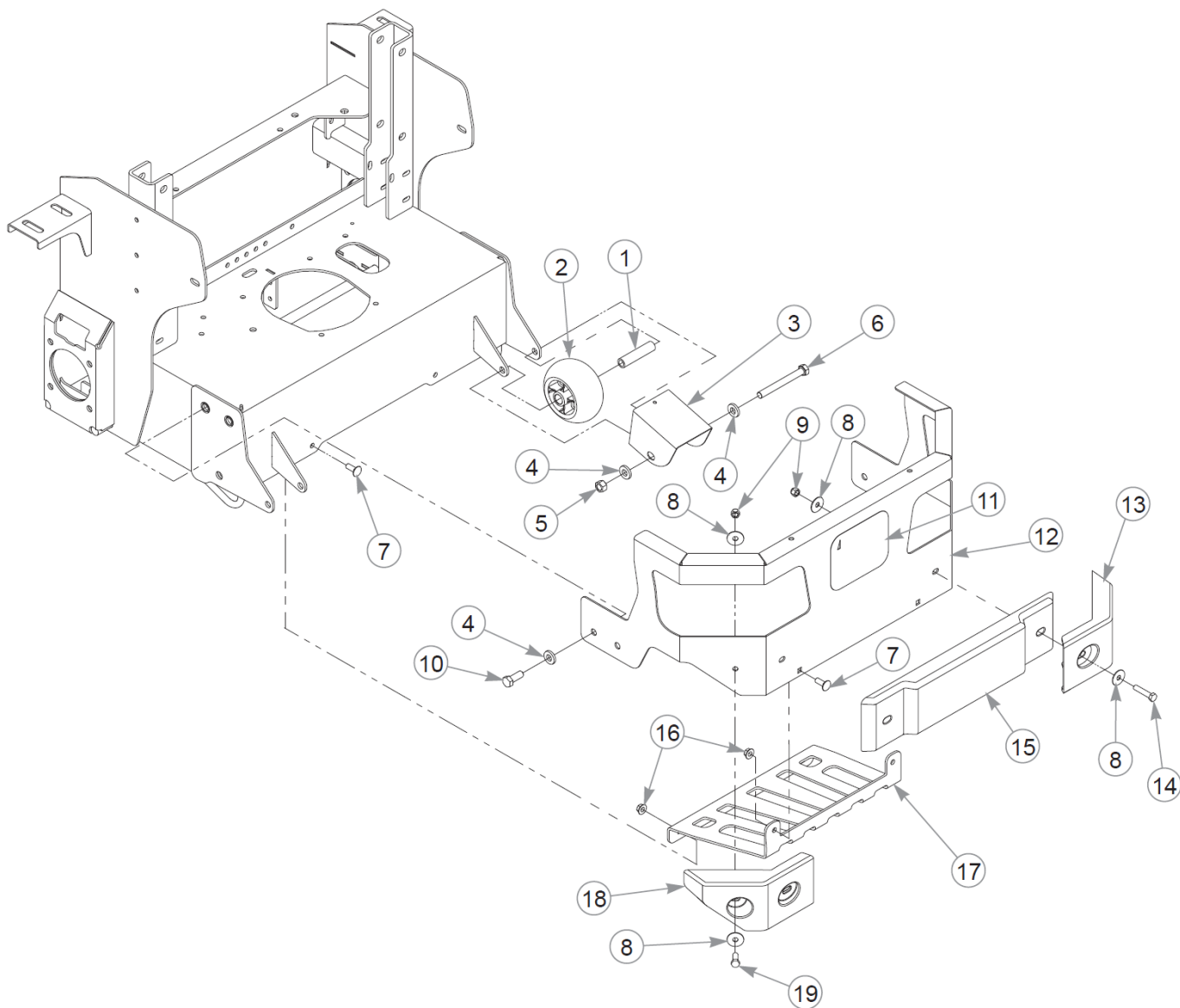
Item	Part No.	Qty	Name
1	123644-1	1	W/A, CASTER FORK
2	061101	1	NT .750-10 HX ZN NL GR B
3	025296	2	FW .760X1.63X0.08 ZN
4	041475	1	CS .750-10X9.50 HX G5 ZN
5		1	REFER TO "FRONT WHEEL SERVICE PARTS"



Item	Part No.	Qty	Name
	606745		TIR/WHL 13X6.50-6 BLK
1	606815	2	DUST CAP, 0.752 ID
2	606780	2	SEAL
3	606778	2	SPACER, 0.531
4	606753	2	BEARING, TAPERED ROLLER
5	606126	1	GREASE FITTING, M8X1.0
6	019521	1	TIRE VALVE TR-412 GOODY
7	606752	1	WHL 6X4.50 BLK
8	604843	1	TIR 13X6.50-6 B4R SMTH



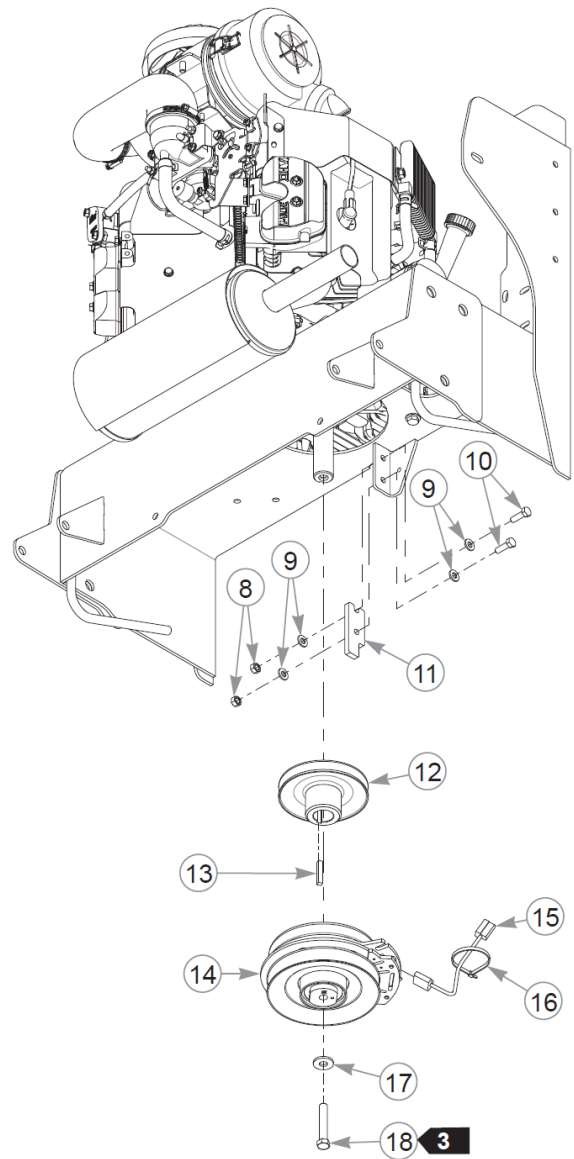
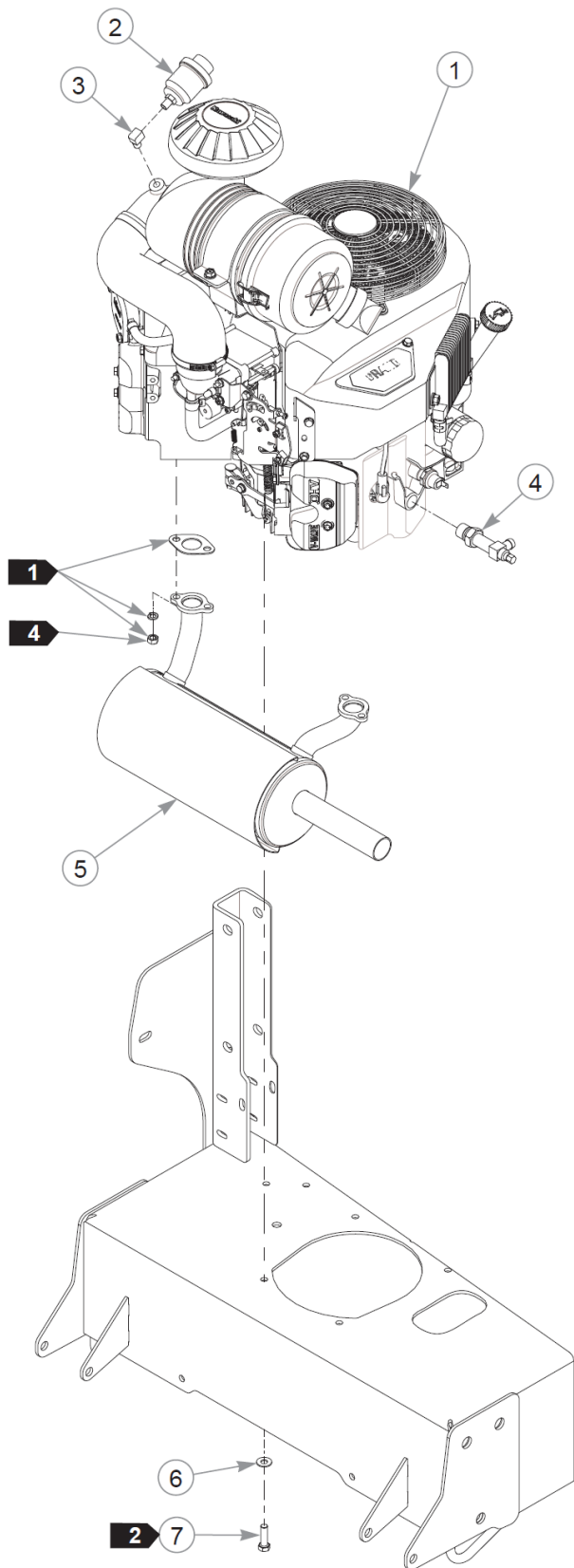
Item	Part No.	Qty	Name
1	607539	1	TIR/WHL 26X12.00-12 BLK
2	606498	1	WHL 12X8.50 5X4.5 BLK
3	019521	1	TIRE VALVE TR-412 GOODY



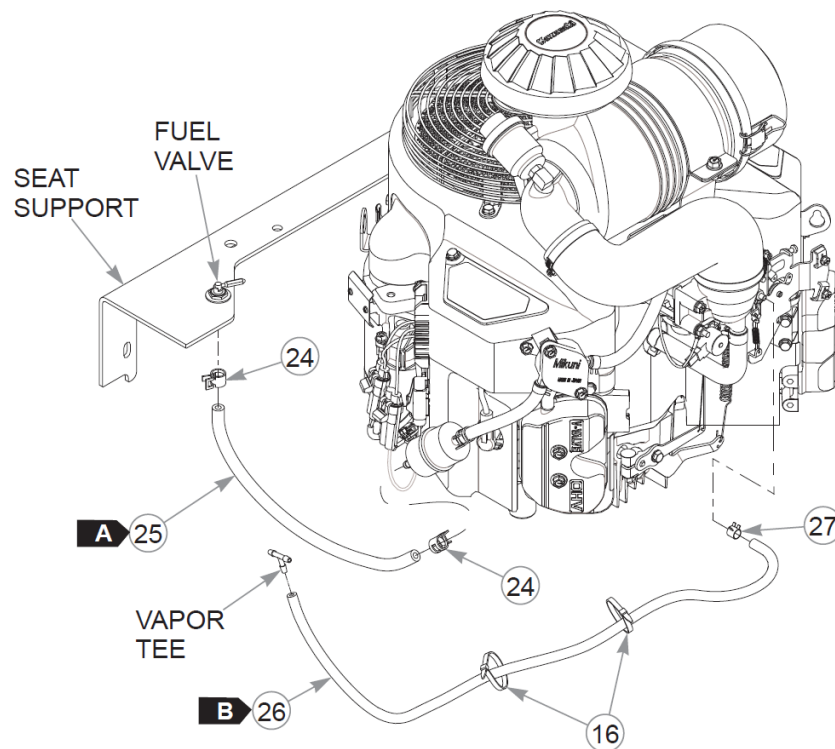
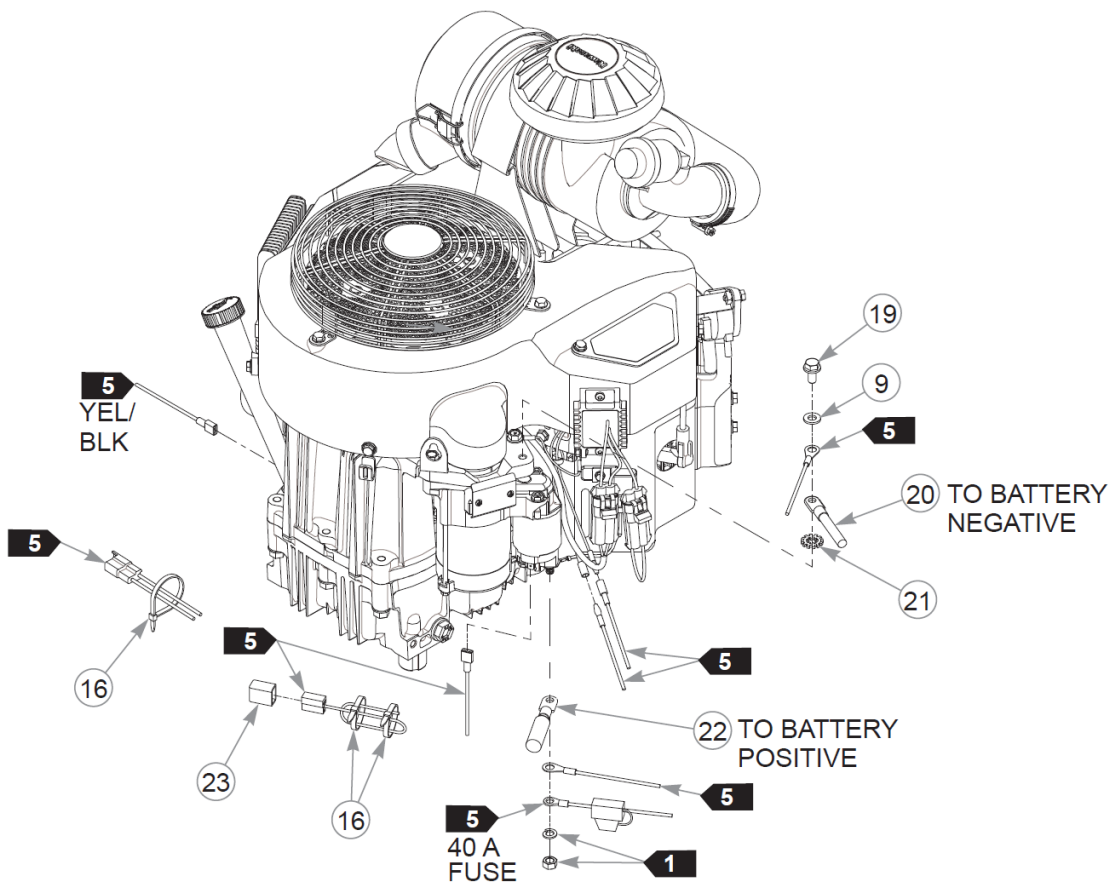
Engine Guard

60" X-ONE Parts Manual - 943456CE - HTX1TR060KAWFX850VC

Item	Part No.	Qty	Name
1	602345	2	SPACER, ANTI-SCALP 3.22
2	602263	2	WHEEL, ANTI-SCALP
3	377994	2	HEAT SHIELD, MMZ ROLLER
4	767962	8	FW .531 x 1.063 x .175
5	008193	2	NT .500-13HXG5
6	068239	2	CS .500-13X4.500HXG5
7	025395	4	CB .375-16X 1.00 G5 ZN
8	705137	8	FW 0.391X1.25X.06 ZN
9	086660	4	NT .375-16NLG8
10	705954	4	CS .500-13X1.25 HX G5 ZN
11	606807	1	DECAL, H LOGO
12	555369	1	SVC, ENGINE GUARD
13	606659	1	PLASTIC BUMPER, RH
14	705178	2	CS .375-16X1.750HXG5
15	606657	1	PLASTIC BUMPER, CENTER
16	016899	4	NT .375-16 FLKG5
17	126190-3	1	MUFFLER GUARD
18	606658	1	PLASTIC BUMPER, LH
19	036244	2	CS .375-16X1.00 HX G5 ZN



This page intentionally left blank



Item	Part No.	Qty	Name
1		1	ENGINE, KAW FX850V
2	788943	1	AIR FILTER INDICATOR
3	601216	1	FTG, ELBOW, STREET
4	796524	1	VALVE,OIL DRAIN M20x2.5
5	603012	1	MUFFLER, FX850V
6	767954	4	FW 0.379X.82X.06 HD ZN
7	602580	4	CS .375-16X1.25HXG8ZYP85
8	034272	2	NT .312-18HXG5
9	768523	5	FW 0.343SAE
10	036236	2	CS .312-18 X 1.000 HX G5
11	113946	1	CLUTCH ANCHOR
12	606471	1	PULLEY, ENG 5.318 OP
13	212076	1	KEY 1/4 SQ X 1.50 LG(FS)
14	606404K	1	CLUTCH KIT
15	791251	1	HARNESS, CLUTCH PIGTAIL
<p>Comments for Part Num. 791251</p> <p>Pigtail was updated with epoxy to hold the wires steady. The wire sheath was also updated to a more flexible material.</p>			
16	000331	6	WIRE TIE, SMALL/SHORT
17	602680	1	FW .453X1.12X.12 HRD ZN
18	785659	1	CS .437-20X2.50 HXG5 P85
19	720516	1	CS M8-1.25X16HX FL10.9
20	796219	1	BATTERY CABLE,NEG 36" D
21	029876	1	LW .312 INTEXT ZN
22	744276	1	BATTERY CABLE POS RED
23	789131	1	CAP, HUSTLRZ FAN CON(FS)
24	000323	2	CLIP, HOSE CLAMP
25	015818P	1	FUEL LINE, 1/4" - 6 FT
26	603326P	1	VAPOR LINE, 3/16" - 7 FT
27	603112	1	CLAMP, 3/16 FUEL

Comments for Page: Engine, Muffler & Clutch (Multi-Page)

1. Supplied with the engine.
2. Torque to 41 N•m. Replace (do not reuse) the cap screw if it is removed or loosened. Use only hand tools to install this fastener.
3. Torque to 61–65 N•m. Replace (do not reuse) the cap screw if it is removed or loosened.
4. Torque to 23 N•m.

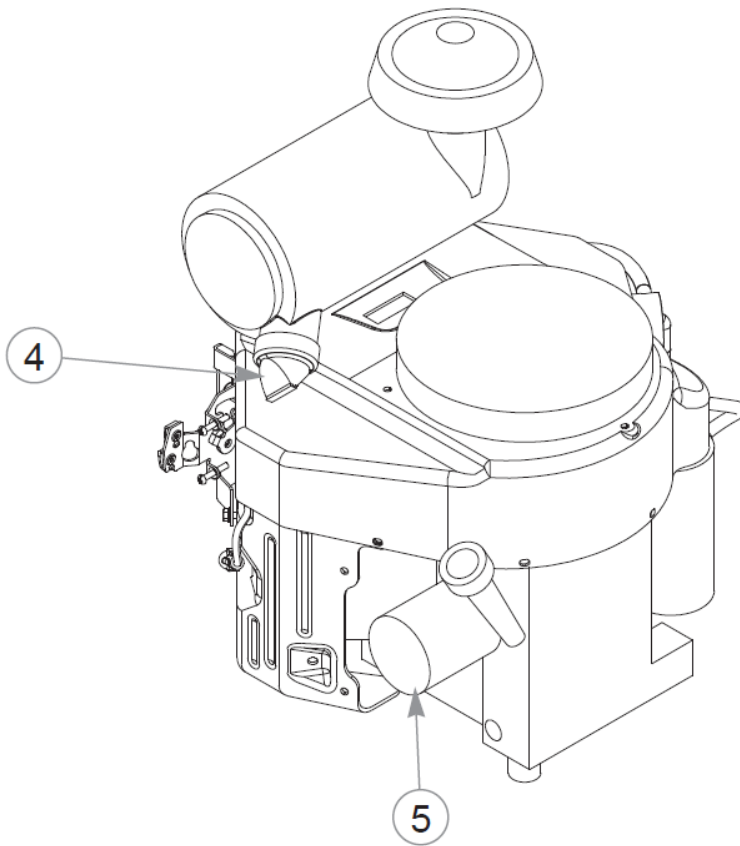
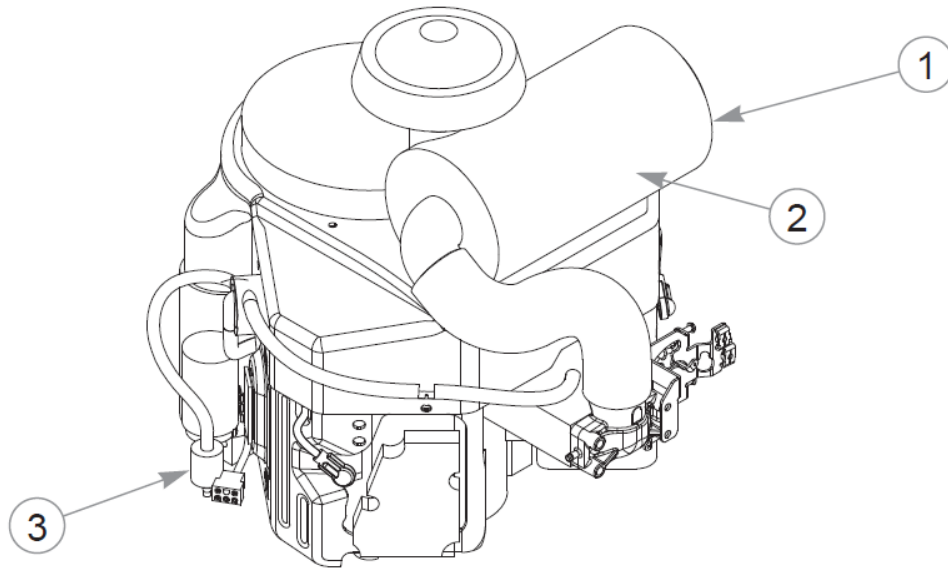
5. Part of the wire harness.

FUEL & VAPOR LINE LENGTHS

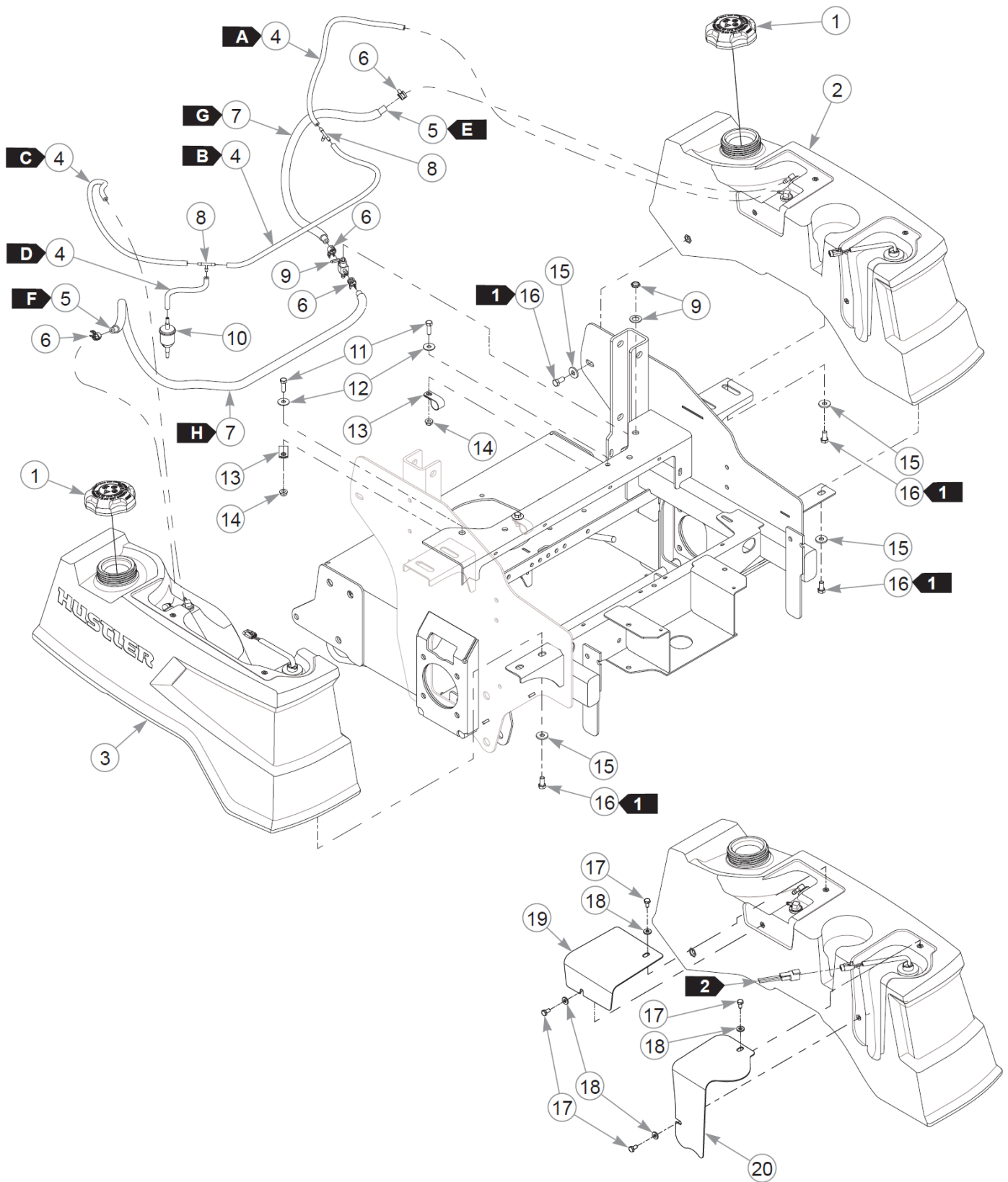
A: 42 cm VALVE TO ENGINE (FUEL)

B: 81 cm TEE TO ENGINE (VAPOR)

This page intentionally left blank



Item	Part No.	Qty	Name
1	785261	1	AIR FILTER - MAIN
2	785279	1	AIR FILTER - SAFETY
3	068478	1	FUEL FILTER - IN LINE
4	763318	1	VALVE, VACUATOR
5	603138	1	ENGINE OIL FILTER



Item	Part No.	Qty	Name
1	603807	2	CAP, 3.5" RATCHETING GAS
2	607876	1	FUEL TANK ASM, LH FENDER
Comments for Part Num. 607876			
*** IMPORTANT *** Prior to ordering a Fuel Tank, Fuel Gauge, or Fuel Sender please contact Hustler Support at 844-867-6697.			
3	607877	1	FUEL TANK ASM, RH FENDER
4	603326P	1	VAPOR LINE, 3/16" - 7 FT
5	015818P	1	FUEL LINE, 1/4" - 6 FT
6	000323	4	CLIP, HOSE CLAMP
7	605215P	1	THERMAL SHIELD - 6 FT
8	604281	2	TEE, 3/16" PLASTIC
9	745059	1	FUEL VALVE 3-WAY
10	604323	1	VAPOR SYSTEM FILTER
11	036236	3	CS .312-18 X 1.000 HX G5
12	079210	3	FW 0.344X1.0X0.06 ZN
13	043570	3	CLIP - HOSE - SINGLE(FS)
14	016832	3	NT .312-18FLKG5
15	712919	10	FW 0.406X1.00X.12 HD ZN
16	055822	10	CS .375-16X0.75 HX G5 ZN
17	055947	4	CS .250-20X0.50 HX G5 ZN
18	768515	4	FW 0.281SAE
19	123182	1	COVER, FUEL LINES
20	123181	1	COVER, FUEL SENDER
21	000331	2	WIRE TIE, SMALL/SHORT

Comments for Page: Fuel System

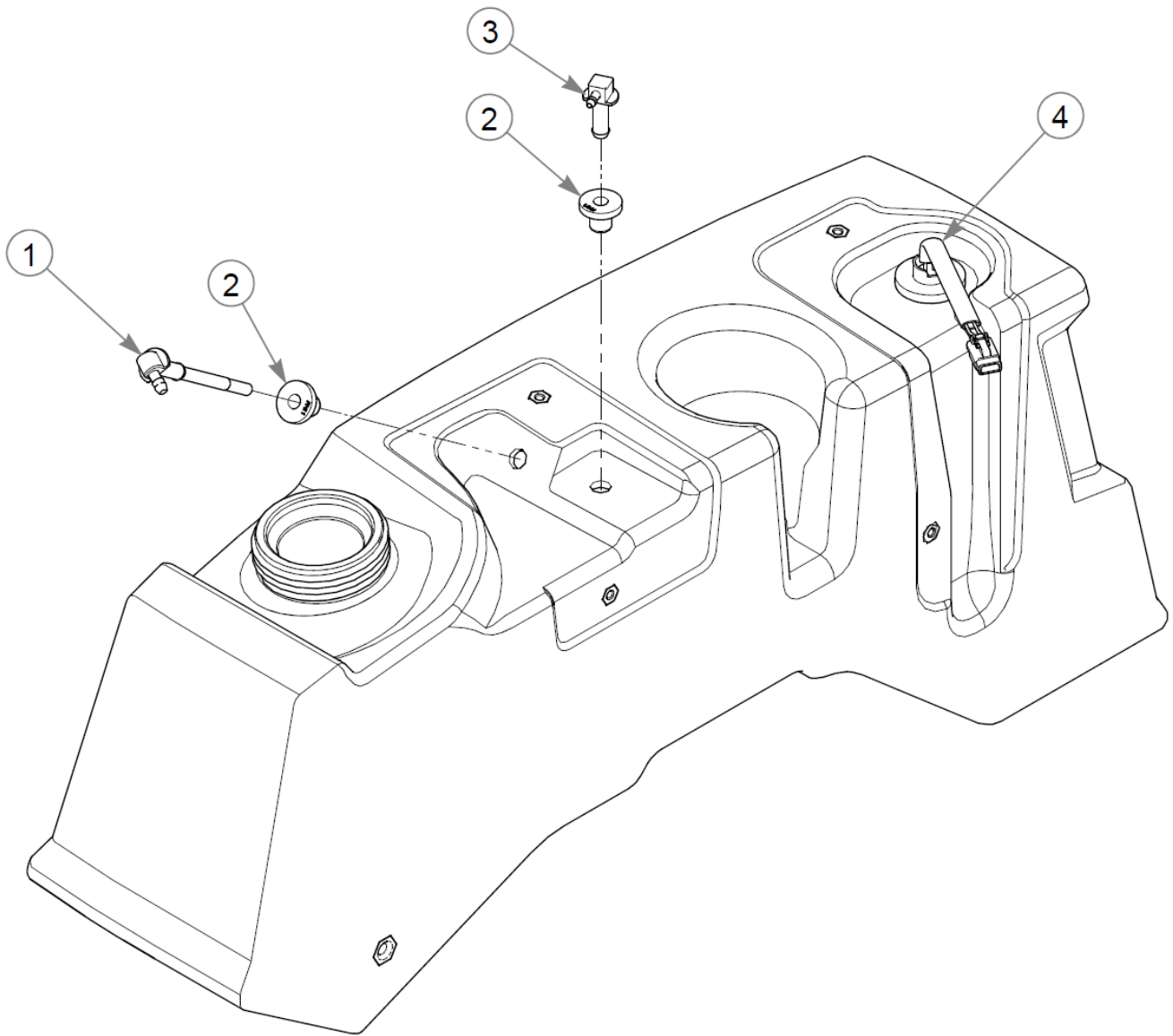
1. Torque to 22 N•m.
2. Part of the wire harness.

FUEL & VAPOR LINE LENGTHS

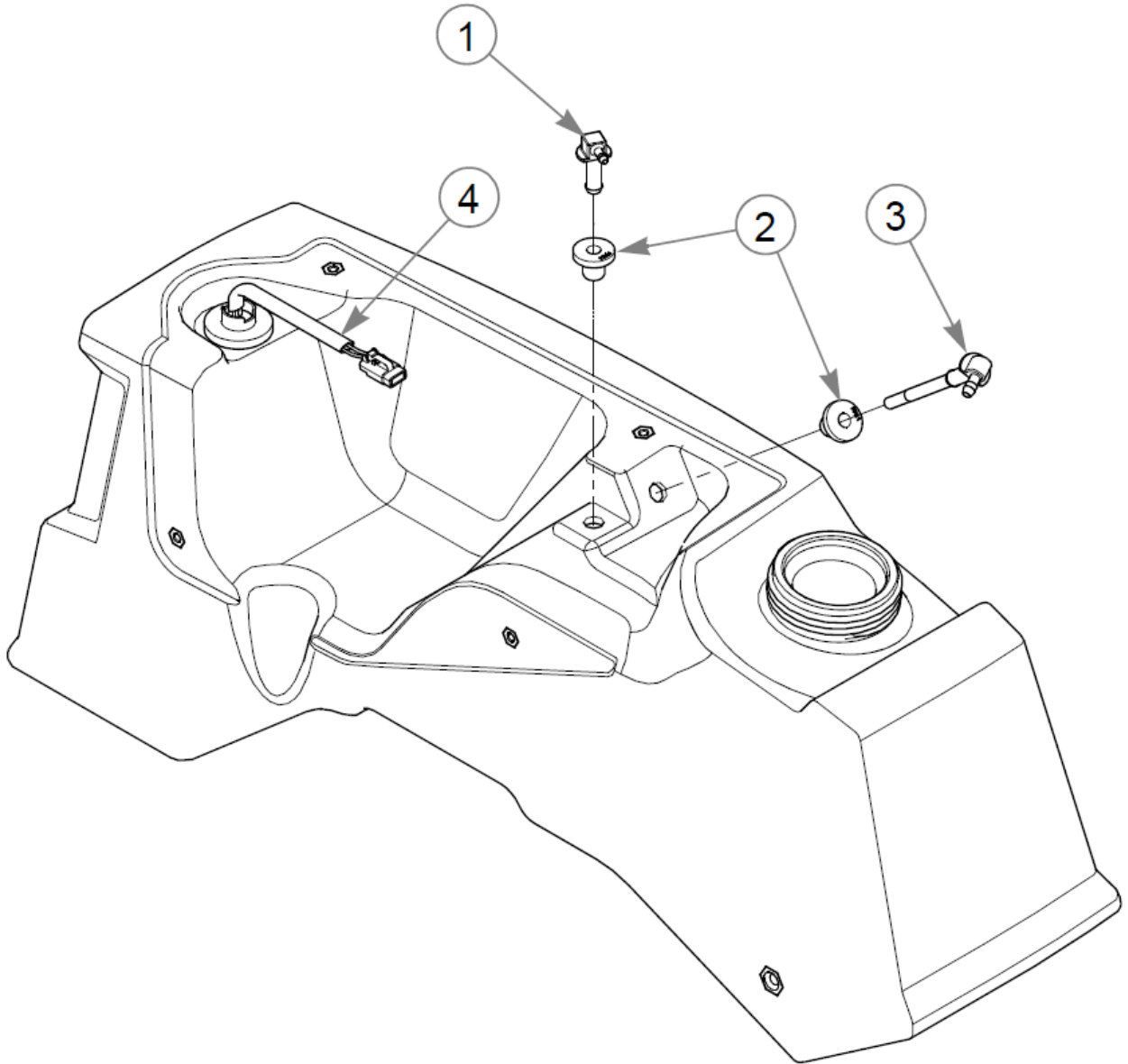
- A: 48 cm LEFT TANK TO TEE (VAPOR)
- B: 61 cm TEE TO TEE (VAPOR)
- C: 56 cm RIGHT TANK TO TEE (VAPOR)
- D: 17 cm TEE TO FILTER (VAPOR)
- E: 58 cm LEFT TANK TO VALVE (FUEL)
- F: 112 cm RIGHT TANK TO VALVE (FUEL)
- G: 56 cm FUEL LINE THERMAL SHIELD

H: 109 cm FUEL LINE THERMAL SHIELD

This page intentionally left blank



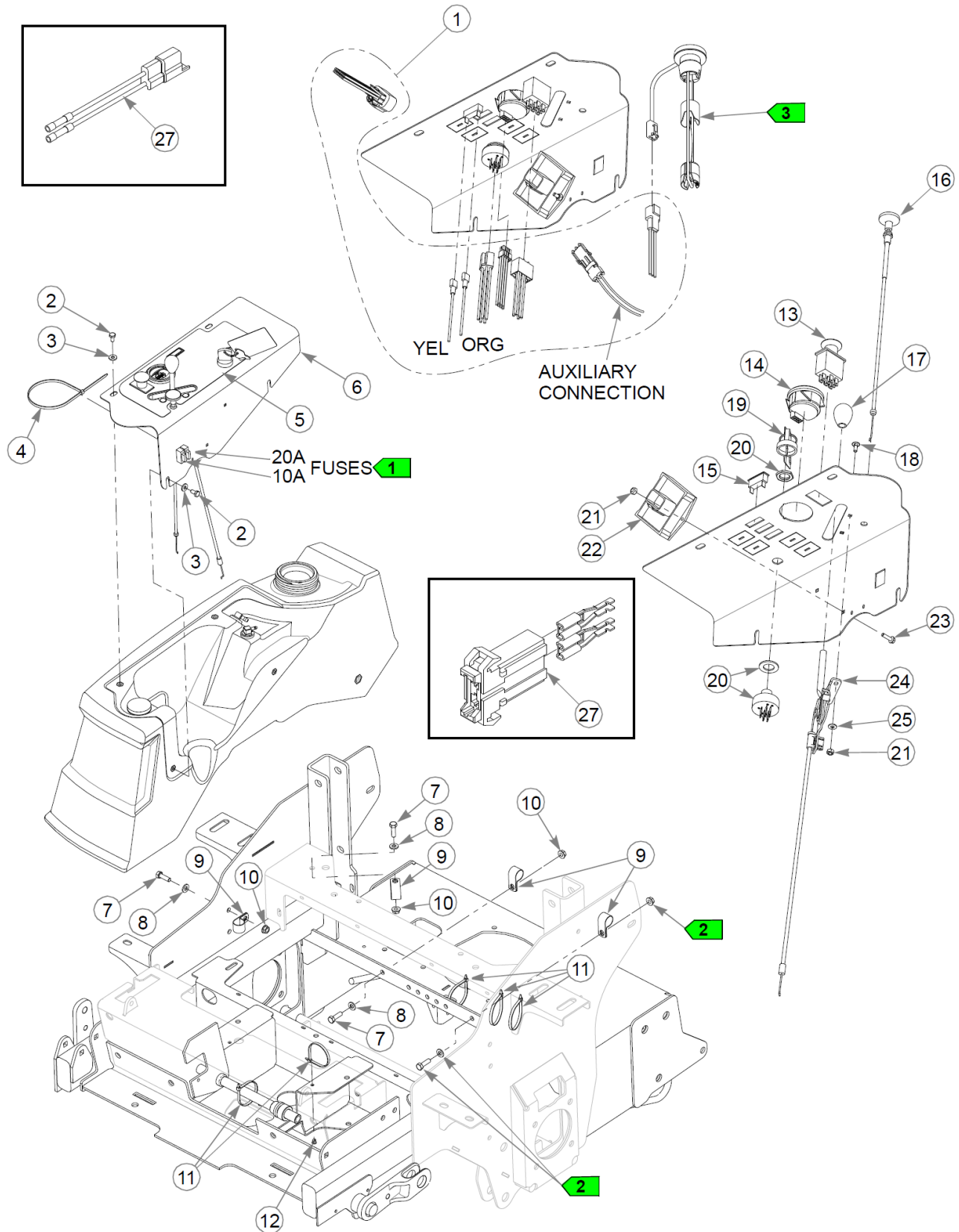
Item	Part No.	Qty	Name
	607876	1	FUEL TANK ASM, LH FENDER
<p>Comments for Part Num. 607876</p> <p>*** IMPORTANT *** Prior to ordering a Fuel Tank, Fuel Gauge, or Fuel Sender please contact Hustler Support at 844-867-6697.</p>			
1	605159K	1	SUCTION HOSE SVC KIT
2	604200K	2	GROMMET SVC KIT
3	604287K	1	VENT FITTING SVC KIT
4	607456K	1	SENDER SVC KIT
<p>Comments for Part Num. 607456K</p> <p>*** IMPORTANT *** Prior to ordering a Fuel Tank, Fuel Gauge, or Fuel Sender please contact Hustler Support at 844-867-6697.</p>			



Item	Part No.	Qty	Name
	607877	1	FUEL TANK ASM, RH FENDER
1	604287K	1	VENT FITTING SVC KIT
2	604200K	2	GROMMET SVC KIT
3	605159K	1	SUCTION HOSE SVC KIT
4	607456K	1	SENDER SVC KIT

Comments for Part Num. 607456K

*** IMPORTANT *** Prior to ordering a Fuel Tank, Fuel Gauge, or Fuel Sender please contact Hustler Support at 844-867-6697.



Item	Part No.	Qty	Name
1	604241	1	WIRE HARNESS
2	055947	4	CS .250-20X0.50 HX G5 ZN
3	768515	4	FW 0.281SAE
4	000430	1	WIRE TIE, SMALL/LONG
5	606466	1	DECAL, INSTR PANEL
6	555786	1	SVC, INSTR PANEL
7	036236	3	CS .312-18 X 1.000 HX G5
8	768523	3	FW 0.343SAE
9	043570	4	CLIP - HOSE - SINGLE(FS)
10	016832	3	NT .312-18FLKG5
11	000331	5	WIRE TIE, SMALL/SHORT
12	604307	1	MOUNT, PUSH BUTTON
13	776476	1	SWITCH, PTO 6201-321
14	607451	1	GAUGE, DUAL NEEDLE 12V
Comments for Part Num. 607451			
PRIME ONLY			
	608041	1	FUEL GAUGE & SENDERS KIT
Comments for Part Num. 608041			
PRIME ONLY			
15	712257	1	INDICATOR LIGHT, RED(FS)
16	786657	1	CABLE, CHOKE
17	603523	1	KNOB
18	601098	2	CB 10-24 X .500 ZYNC
19	785808	1	KEY ASSEMBLY
20	045898	1	IGNITION SWITCH
21	059832	4	NT #10-24 HX NL ZN
22	604373	1	RELAY CONTROL MODULE
23	063198	2	CS #10-24X0.750FLKG5
24	603475	1	CABLE, THRTL 43"
25	704932	2	FW 0.219X.50X.05 ZN
26	114052	1	KIT, CLUTCH CONN. REP.
27	601047	1	HOLDER, FUSE

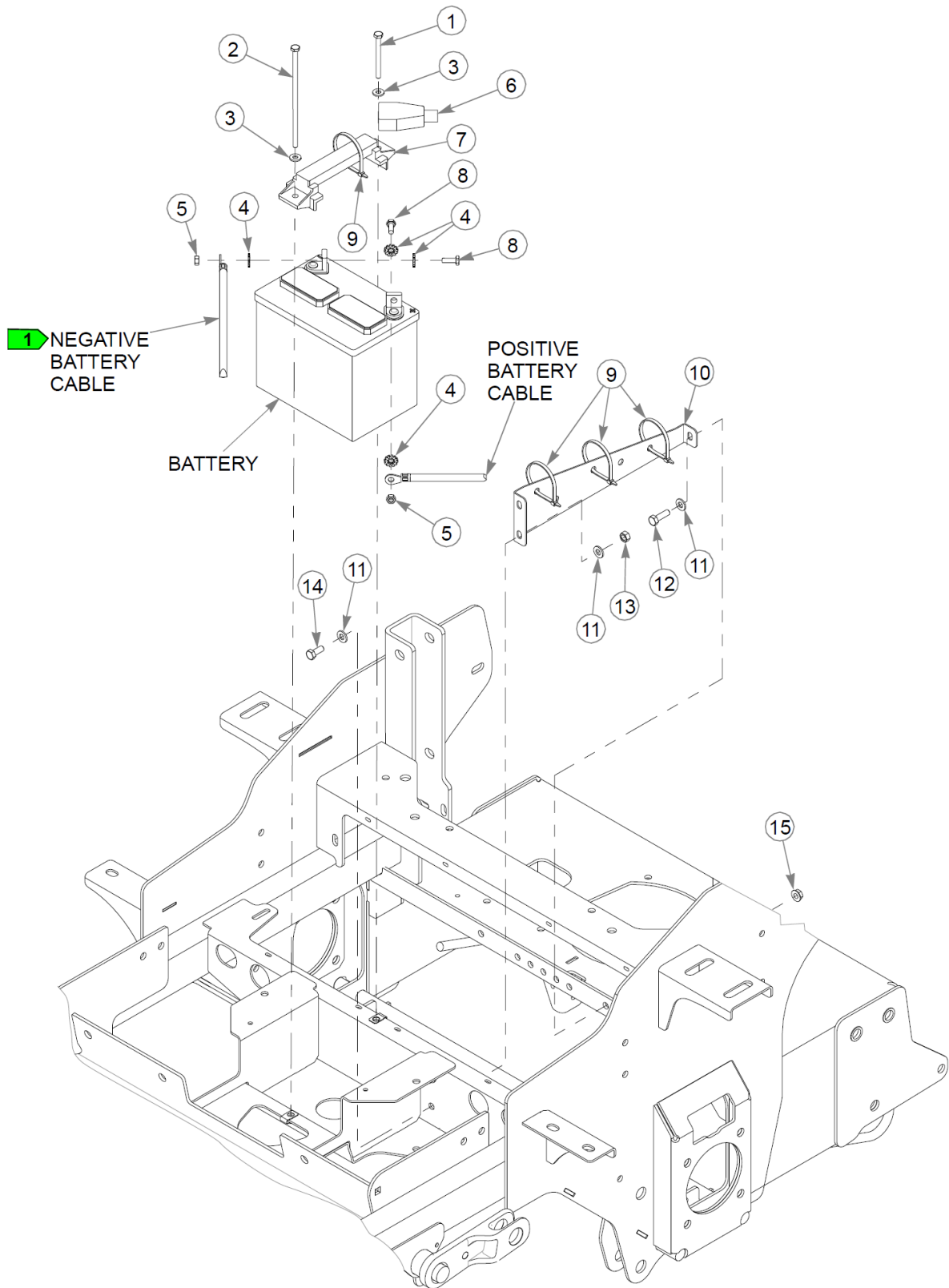
Comments for Page: Instrument Panel & Wire Harness

Instrument Panel & Wire Harness

60" X-ONE Parts Manual - 943456CE -
HTX1TR060KAWFX850VC

1. Part of the wire harness.
2. Part of the Battery Assembly.
3. Part of the Fuel Assembly.
4. The instrument panel includes the decal.

This page intentionally left blank

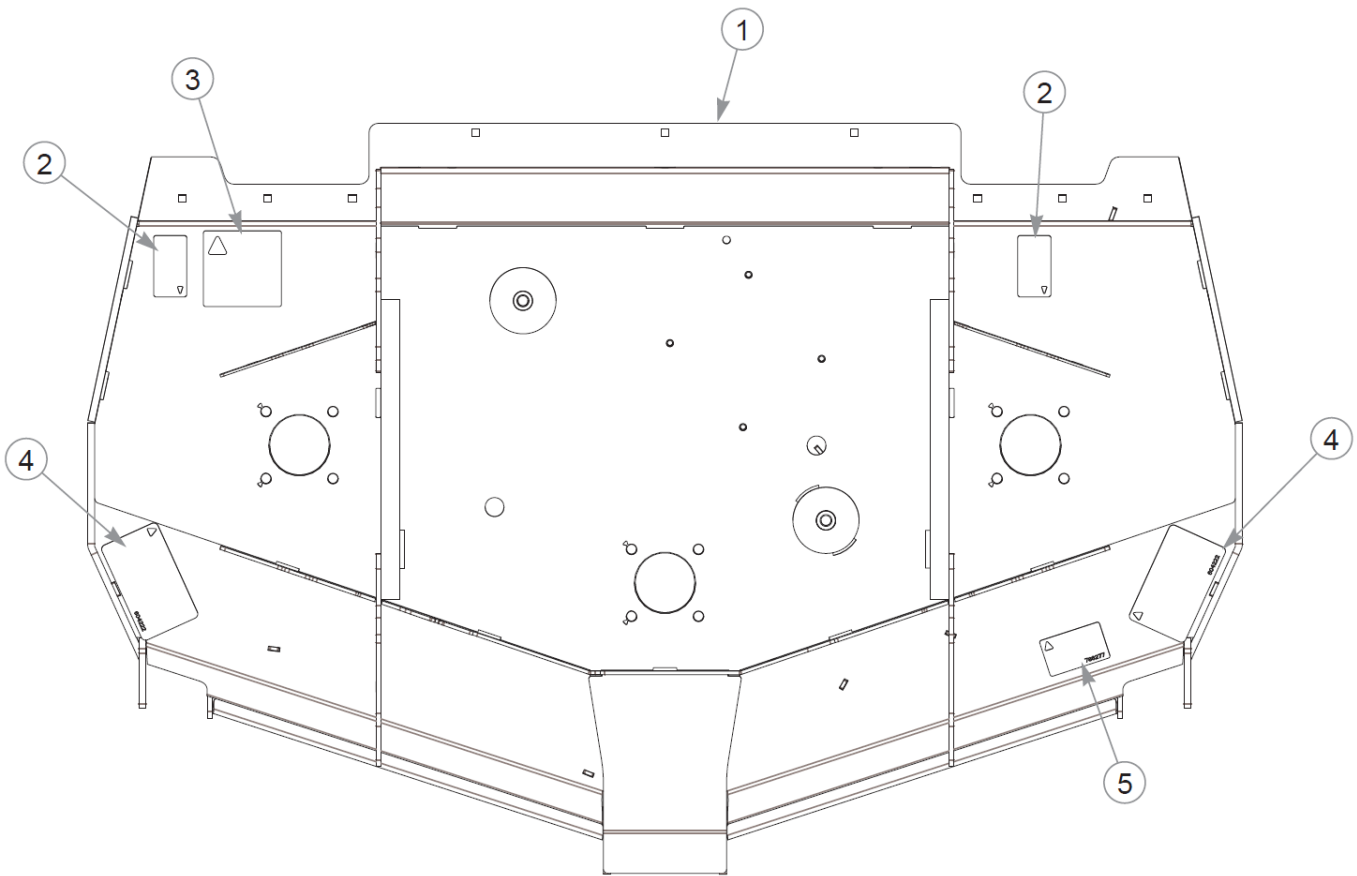


Battery

Item	Part No.	Qty	Name
1	794156	1	CS .250-20X2.750HXG5
2	601930	1	CS .250-20 X 6.50 HX G5
3	768515	2	FW 0.281SAE
4	029868	4	LW .250 INTEXT ZN
5	024927	2	NT .250-20HXG5
6	771428	1	BATTERY CBL BOOT-RED(FS)
7	604178	1	STRAP, TIE DOWN
8	055939	2	CS .250-20X0.75 HX G5 ZN
9	000331	4	WIRE TIE, SMALL/SHORT
10	124384-1	1	SUPPORT, CABLE
11	768523	5	FW 0.343SAE
12	036236	1	CS .312-18 X 1.000 HX G5
13	034272	2	NT .312-18HXG5
14	034280	2	CS .312-18X0.750HXG5
15	016832	1	NT .312-18FLKG5

Comments for Page: Battery

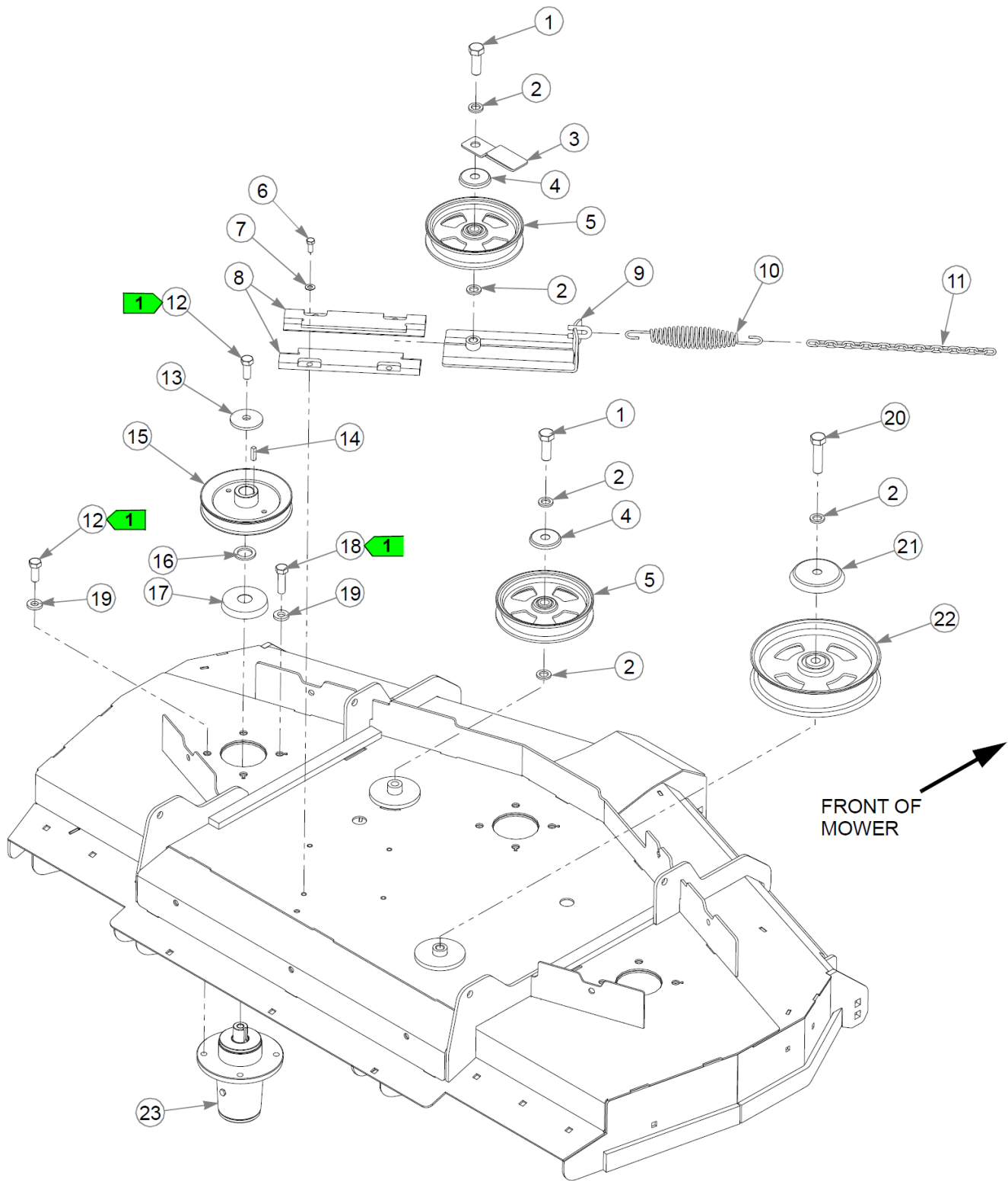
1. When performing service on the mower, disconnect the negative battery cable (black) and do not reconnect it to the battery until ready to start the engine.



Item	Part No.	Qty	Name
1	553684	1	60" RD SERVICE DECK
2	603391	2	DECAL, RUBBER FLAP
3	781419	1	DECAL, BELT ROUTING
4	604222	2	DECAL, DANGER / OBJECTS
5	786277	1	DECAL, 60 DECK ID

Comments for Page: Service Deck

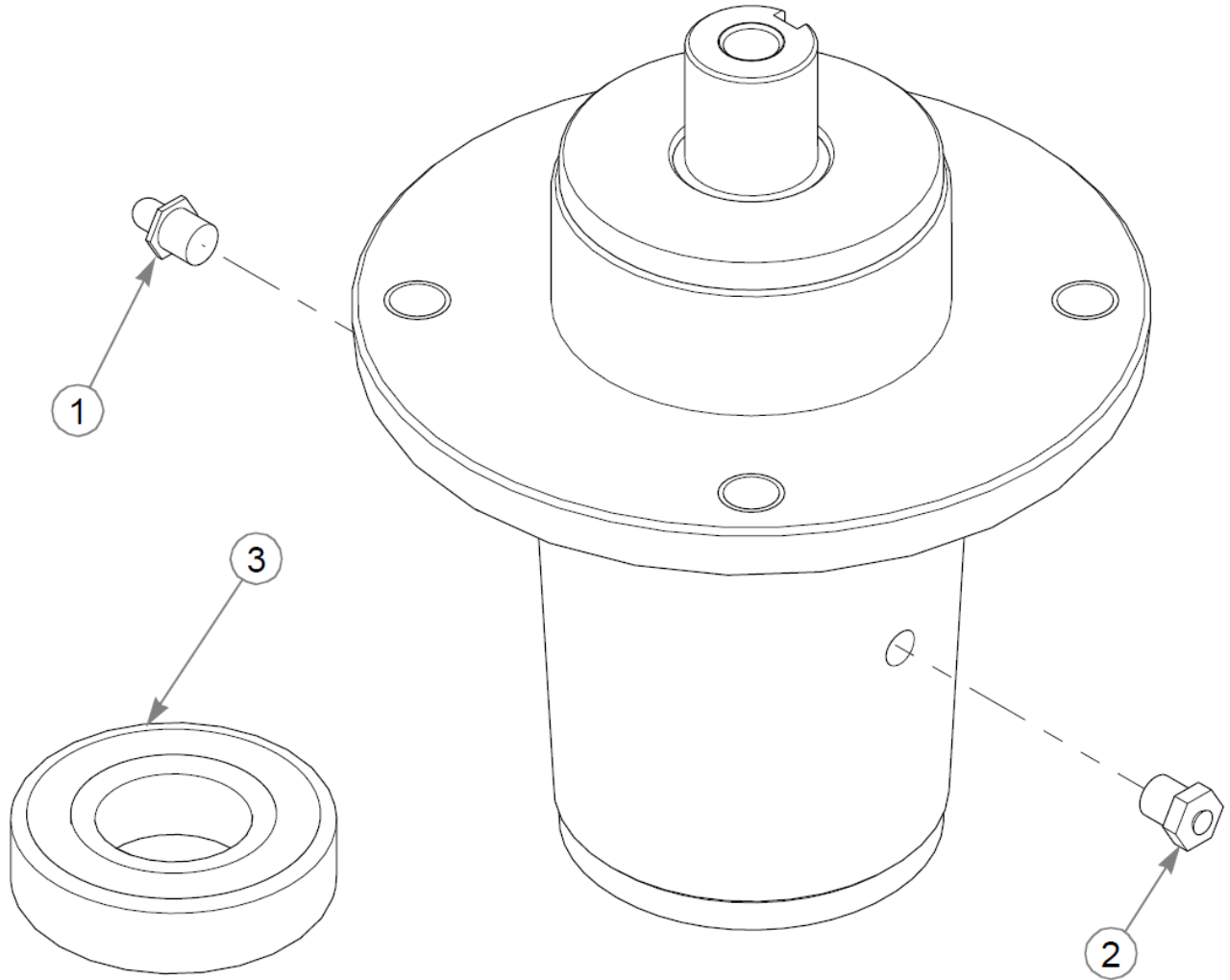
1. The deck includes the decals.



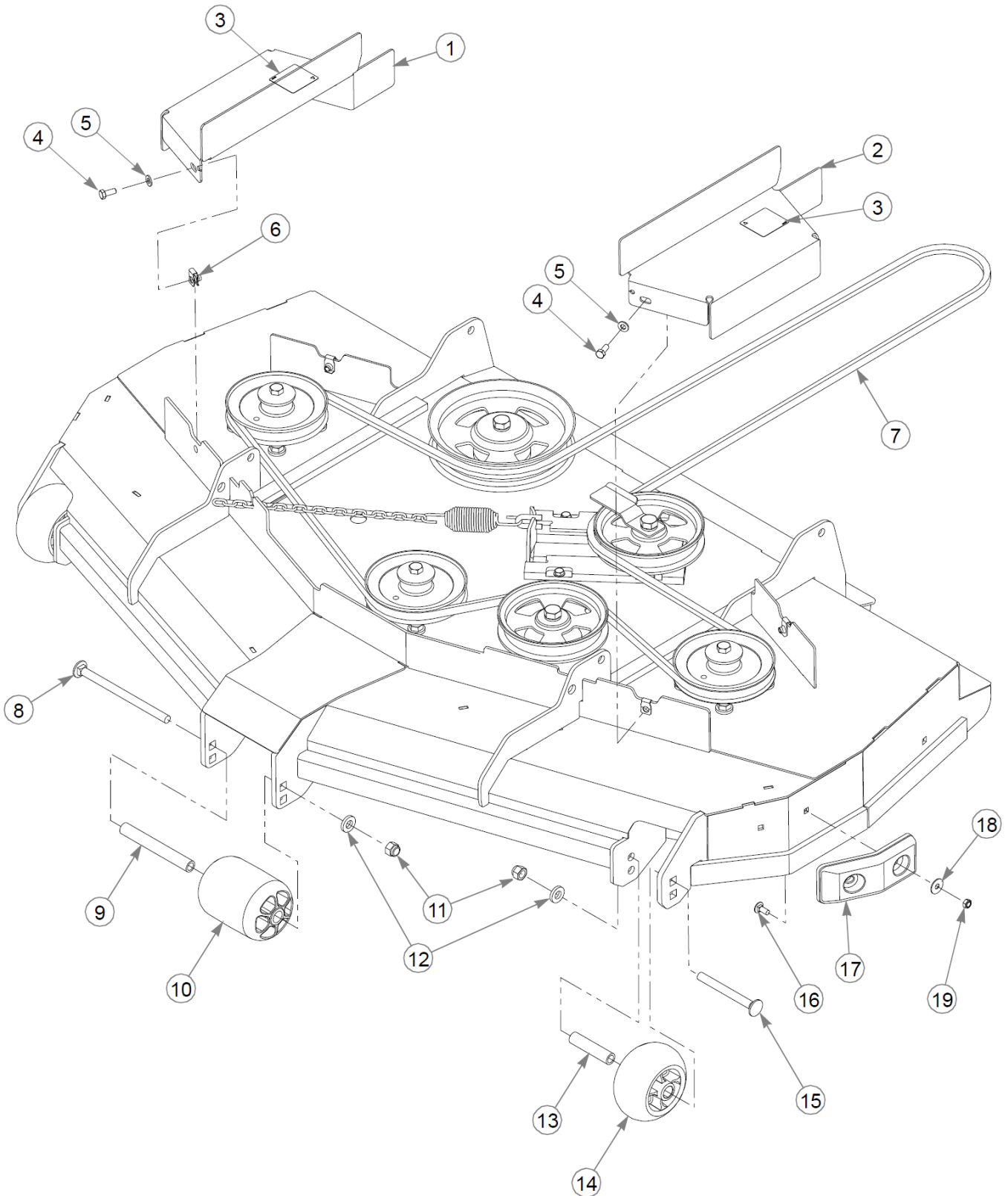
Item	Part No.	Qty	Name
1	025007	2	CS .62511X1.750HXG5
2	028118	5	FW 0.625X1.00X.13 ZN
3	606460	1	GUIDE, BELT
4	608144	2	SHIELD, DUST
5	602821	2	IDLER, 6.0" COMMERCIAL
6	034280	4	CS .312-18X0.750HXG5
7	604252	4	FW .340X.68X.04 ZN
8	602936	2	IDLER SLIDE, UHMW
9	350884	1	SLIDE, DECK IDLER
10	781302	1	IDLER SPRING
11	373191	1	CHAIN, 21 LINK
12	705954	9	CS .500-13X1.25 HX G5 ZN
13	752386	3	CW .505 X 1.625 X .140
14	212472	3	KEY 1/4 SQ X 1.00 LG(FS)
15	770842	3	PULLEY, DECK DRIVE
16	045765	3	FW 1.030X1.50X.13 HD ZN
17	607409-4	3	DUST SHIELD
18	017616	6	CS .500-13X1.750HXG5
19	767962	12	FW .531 x 1.063 x .175
20	025015	1	CS .625-11X2.500HXG5
21	602963	1	DUST SHIELD, IDLER LG
22	602838	1	IDLER, 8.0" COMMERCIAL
23	607407	3	SPINDLE ASSY, DUCTILE

Comments for Page: Deck Pulleys & Spindles

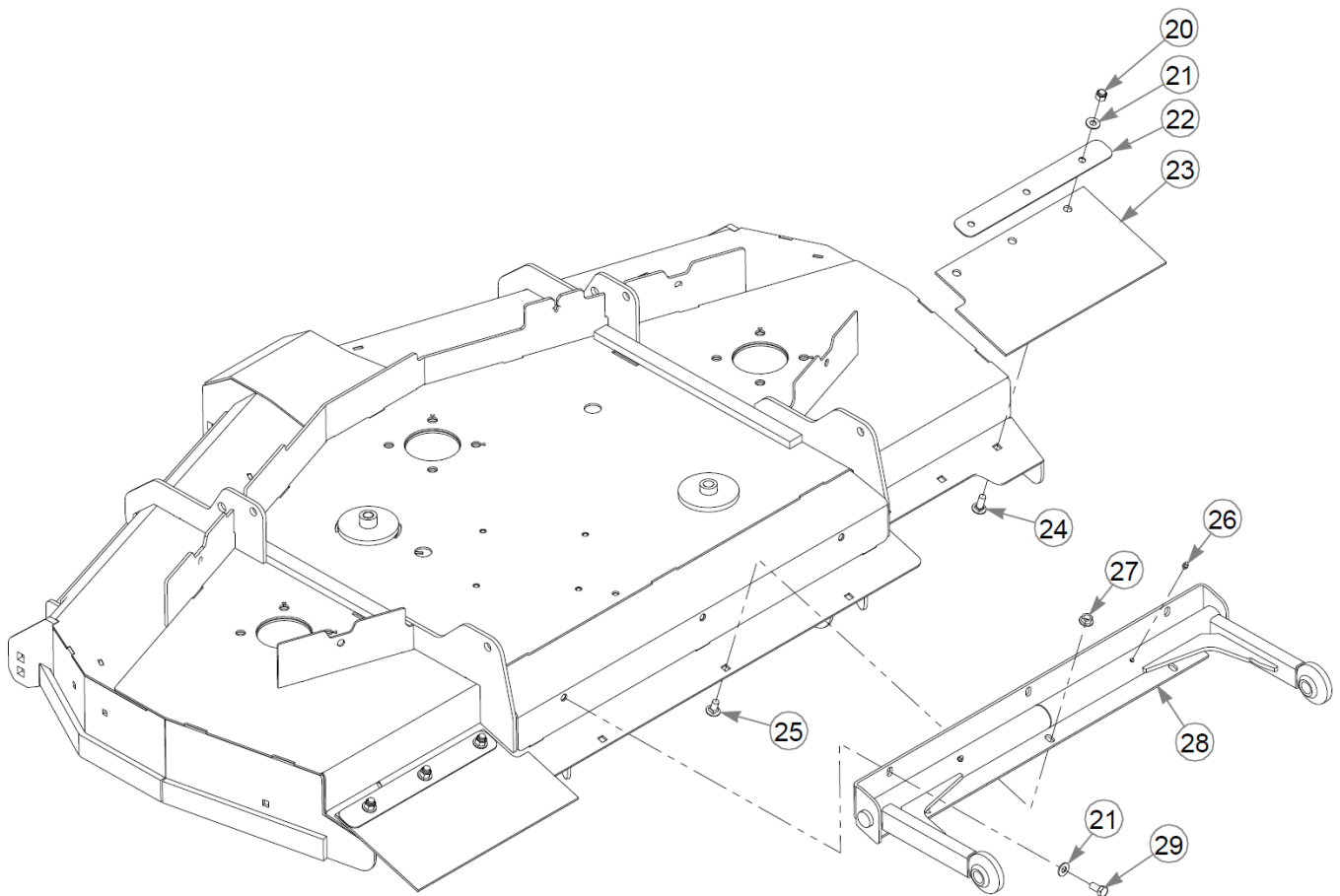
1. Torque to 63-73 ft-lbs.



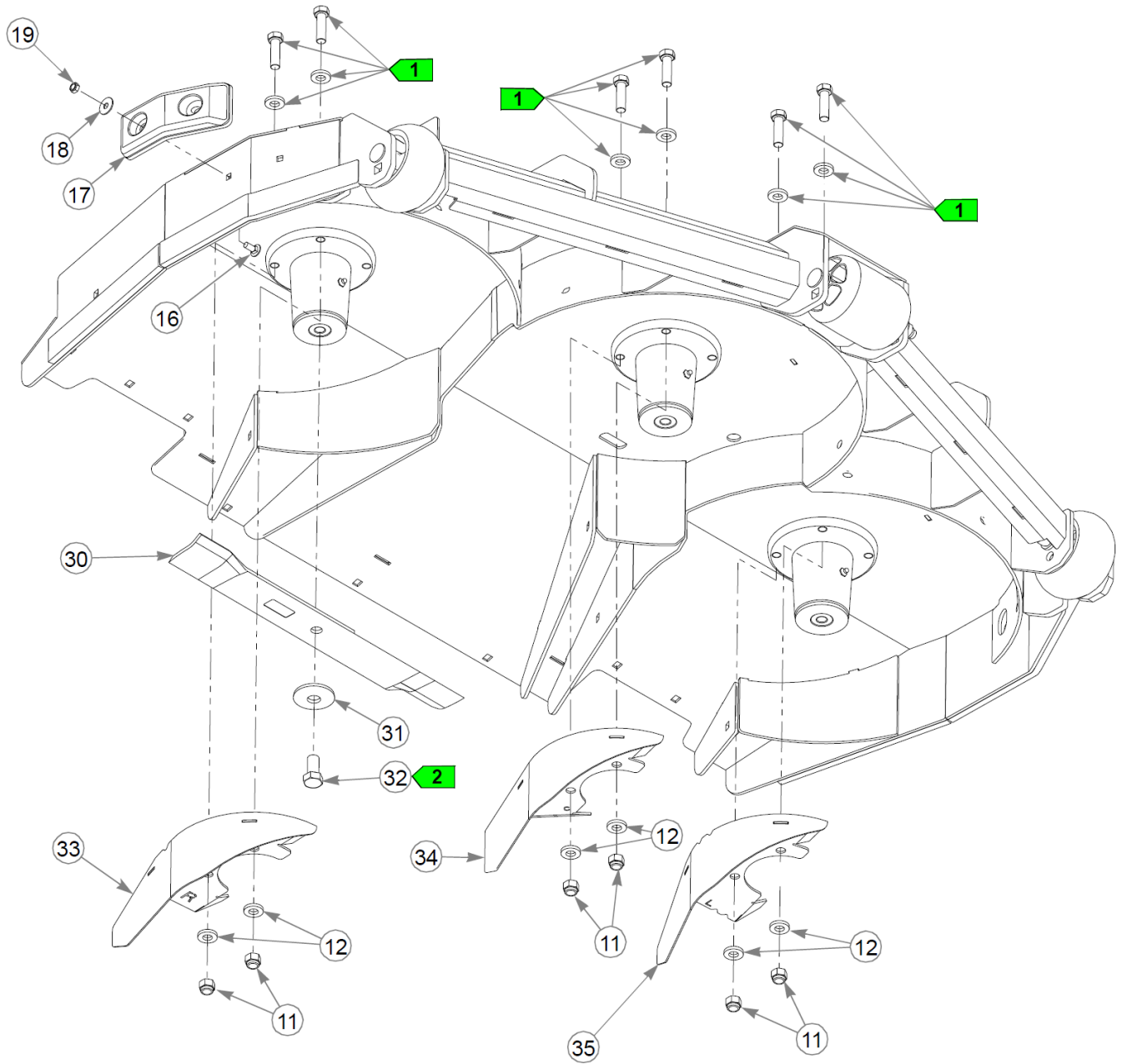
Item	Part No.	Qty	Name
	607407	1	SPINDLE ASSY, DUCTILE
1	607477	1	GREASE ZERK
2	607478	1	RELIEF FITTING
3	607955	2	BEARING



This page intentionally left blank



This page intentionally left blank

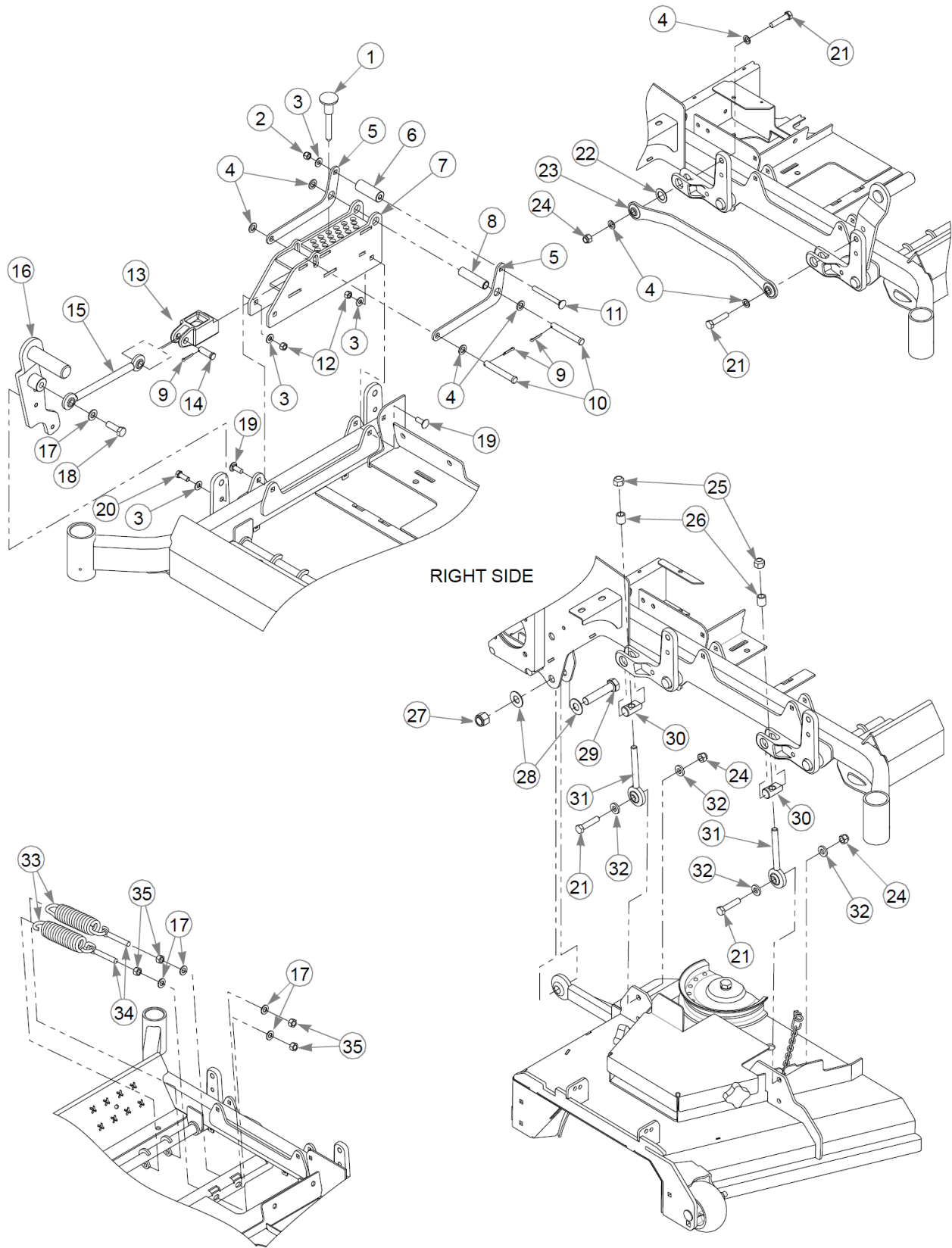


Item	Part No.	Qty	Name
1	556356	1	SVC, PULLEY COVER RH
2	556357	1	SVC, PULLEY COVER LH
3	602562	2	DECAL, NO SERVICE
4	034280	4	CS .312-18X0.750HXG5
5	768523	4	FW 0.343SAE
6	601069	4	CN .312-18x.200 MAX THK
7	604494	1	DECK BELT
8	602338	1	CB .50-13 X 7.50 STD ZN
9	602344	1	SPACER, ANTI- SCALP 5.73
10	602341	1	WHEEL, ANTI-SCALP
11	781567	9	NT .500-13NLG5
12	767962	9	FW .531 x 1.063 x .175
13	602345	2	SPACER, ANTI-SCALP 3.22
14	602263	2	WHEEL, ANTI-SCALP
15	607288	2	CB .50-13X4.75 STD ZN
16	016253	4	CB .312-18X .750 FUL ZN
17	605376	2	DECK BUMPER
18	079210	4	FW 0.344X1.0X0.06 ZN
19	604251	4	NT .312-18 HXNL JAM G2ZN
20	086660	6	NT .375-16NLG8
21	767954	9	FW 0.379X.82X.06 HD ZN
22	123508	2	CLAMP, RD
23	606505	2	RUBBER, RD DISCHARGE
24	025395	6	CB .375-16X 1.00 G5 ZN
25	011320	13	CB .375-16X .750 STD ZN
26	015495	2	GREASE FITTING STRAIGHT
27	016899	13	NT .375-16 FLKG5
28	123396	1	PUSHER, W/A
29	055822	3	CS .375-16X0.75 HX G5 ZN
30	600901	3	BLADE, F20.50"-L-F-CW
31	782474	3	CW .678 X 2.250 X .187
32	781872	3	CS .625-11X1.250HXG5
33	123510	1	CUT-OFF, W/A
34	123509	1	CUT-OFF W/A
35	123511	1	CUT-OFF W/A

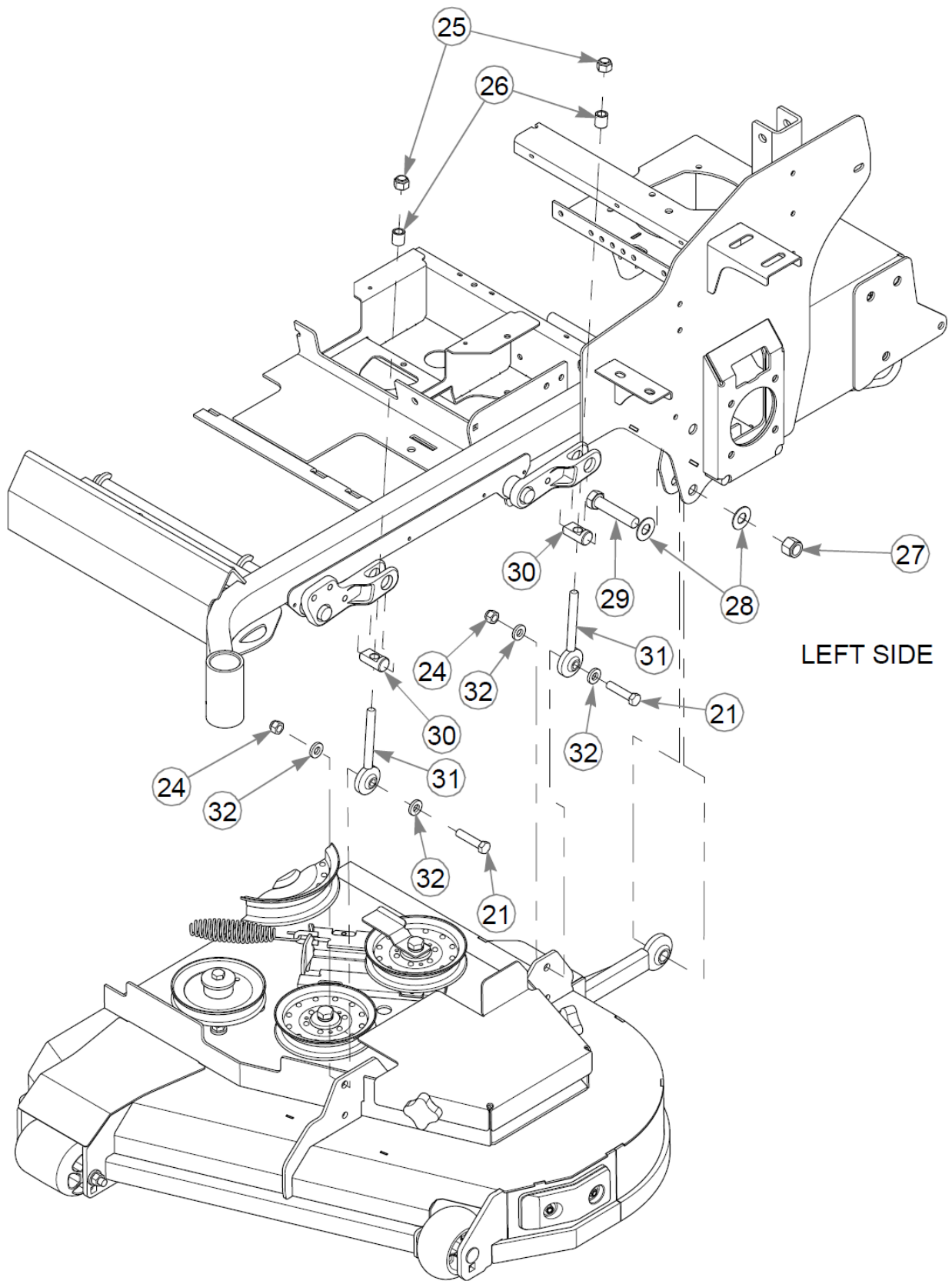
Comments for Page: Deck, Deck Belt & Blades (Multi-Page)

1. Part of the Deck Pulleys & Spindles Assembly.
2. Torque to 160 N•m.

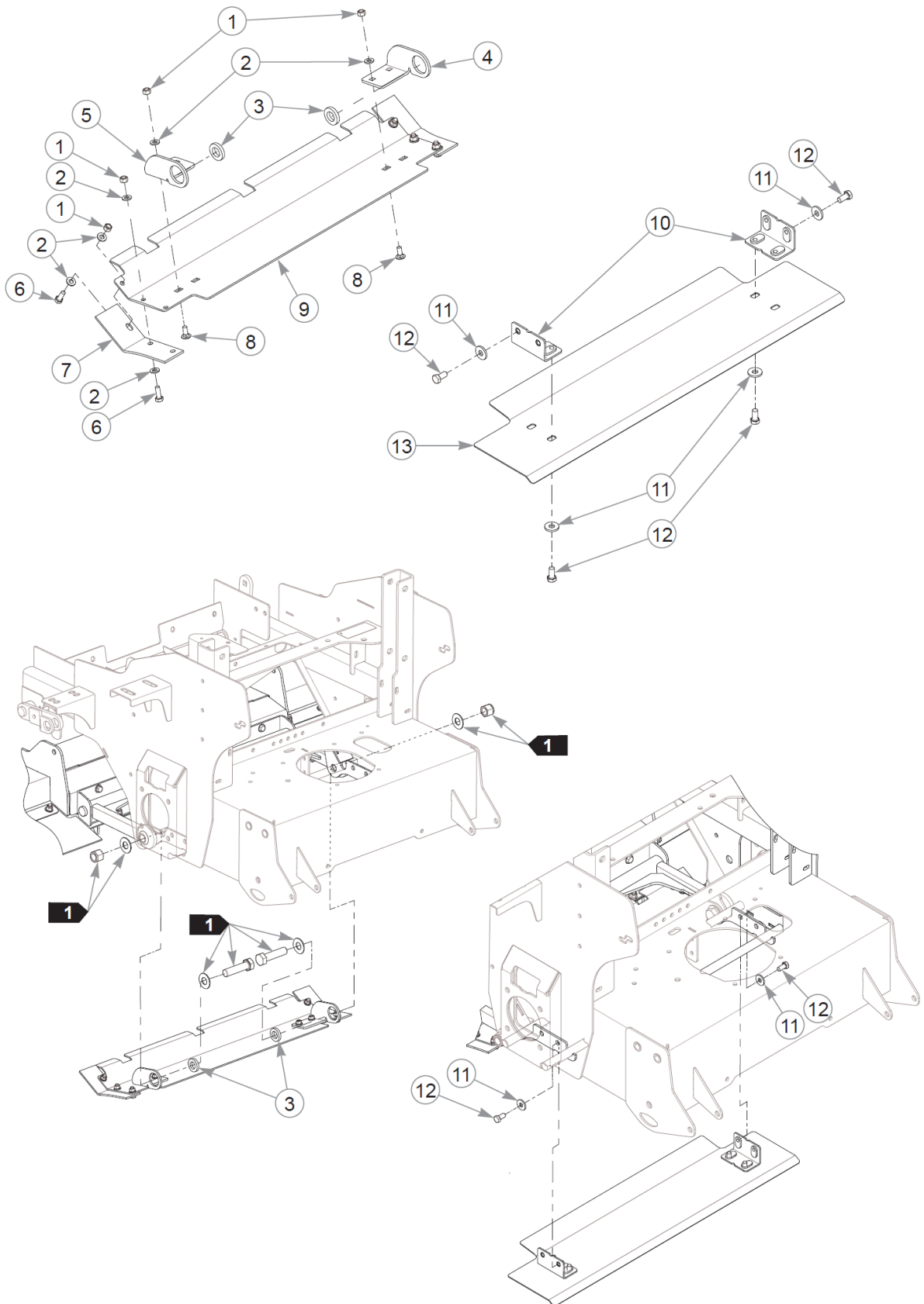
This page intentionally left blank



This page intentionally left blank



Item	Part No.	Qty	Name
1	606918	1	MAGNETIC PIN, 1/2 x 3.13
2	086660	1	NT .375-16NLG8
3	767954	7	FW 0.379X.82X.06 HD ZN
4	718288	7	FW .516X.88X.09 ZN
5	124361-4	2	LATCH HANDLE
6	117489	1	SPACER, LATCH
7	124357-1	1	DECK HEIGHT W/A
8	604075	1	SPACER, CYLINDER
9	017251	3	CP .156DX1.000 LG HML Z
10	025965	2	CE .500X3.50 .156X3.34
11	041848	1	CB .375-16X 3.500 FUL Z
12	054502	4	NT .375-16HXG5
13	606895	1	SLIDER, DECK LIFT
14	068056	1	CE .500X1.50 .150X1.32
15	122994	1	DECK HEIGHT LINK, W/A
16	124291-1	1	PEDAL W/A
17	004168	5	FW .531x1.00x.090 ZN
18	074252	1	CS .500-13X1.50 HX G5 ZN
19	025395	4	CB .375-16X 1.00 G5 ZN
20	036244	2	CS .375-16X1.00 HX G5 ZN
21	761544	6	CS .500-13X2.250HXG8
22	122996	1	LINK SPACER
23	122987	1	DECK LIFT LINK, W/A
24	781567	5	NT .500-13NLG5
25	606316	4	NT 0.563-18 NLGC
26	606292	4	DECK LEVEL SPACER
27	061101	2	NT .750-10 HX ZN NL GR B
28	025296	4	FW .760X1.63X0.08 ZN
29	789115	2	CS .750-10X3.500HXG5
30	607979	4	DECK LEVEL PIVOT
31	606290	4	W/A DECK LEVEL ROD END
32	767962	8	FW .531 x 1.063 x .175
33	606454	2	SPRING, EXT 7.0 300LB/IN
34	606478	2	EB, .500-13X3.00 FULTHD
35	008193	4	NT .500-13HXG5



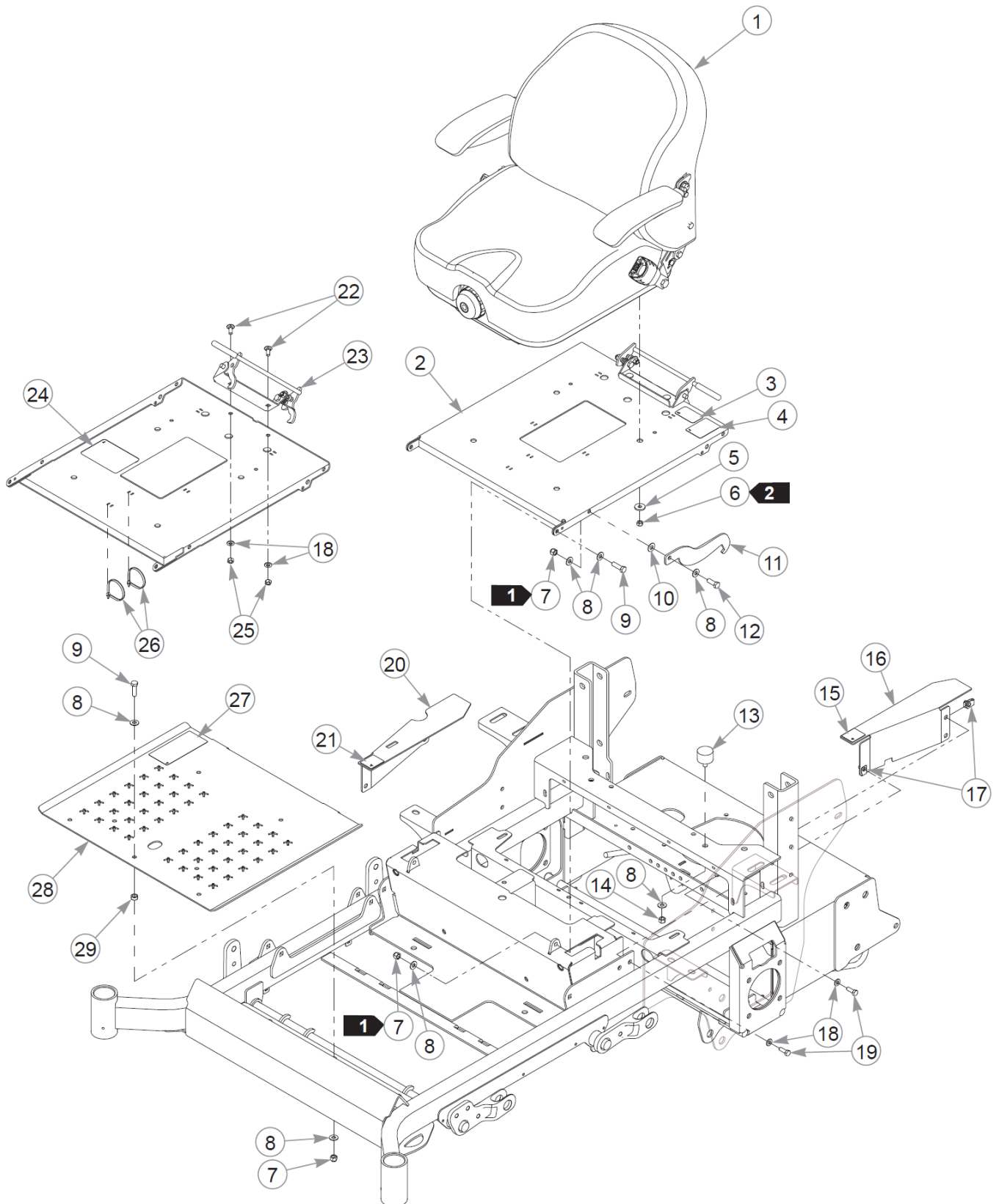
Dust Shield

60" X-ONE Parts Manual - 943456CE -
HTX1TR060KAWFX850VC

Item	Part No.	Qty	Name
1	058776	10	NT .312-18NLG5
2	768523	16	FW 0.343SAE
3	778399	2	FW .781X1.38X.25 ZN
4	123525	1	CHUTE BRACKET
5	123526	1	CHUTE BRACKET
6	064014	6	CS .312-18X0.875HXG5
7	606614	2	RUBBER, SIDE
8	016253	4	CB .312-18X .750 FUL ZN
9	123528	1	REAR SHIELD
10	123530	2	REAR SHIELD SUPPORT
11	712919	8	FW 0.406X1.00X.12 HD ZN
12	055822	8	CS .375-16X0.75 HX G5 ZN
13	123529	1	REAR SHIELD 2

Comments for Page: Dust Shield

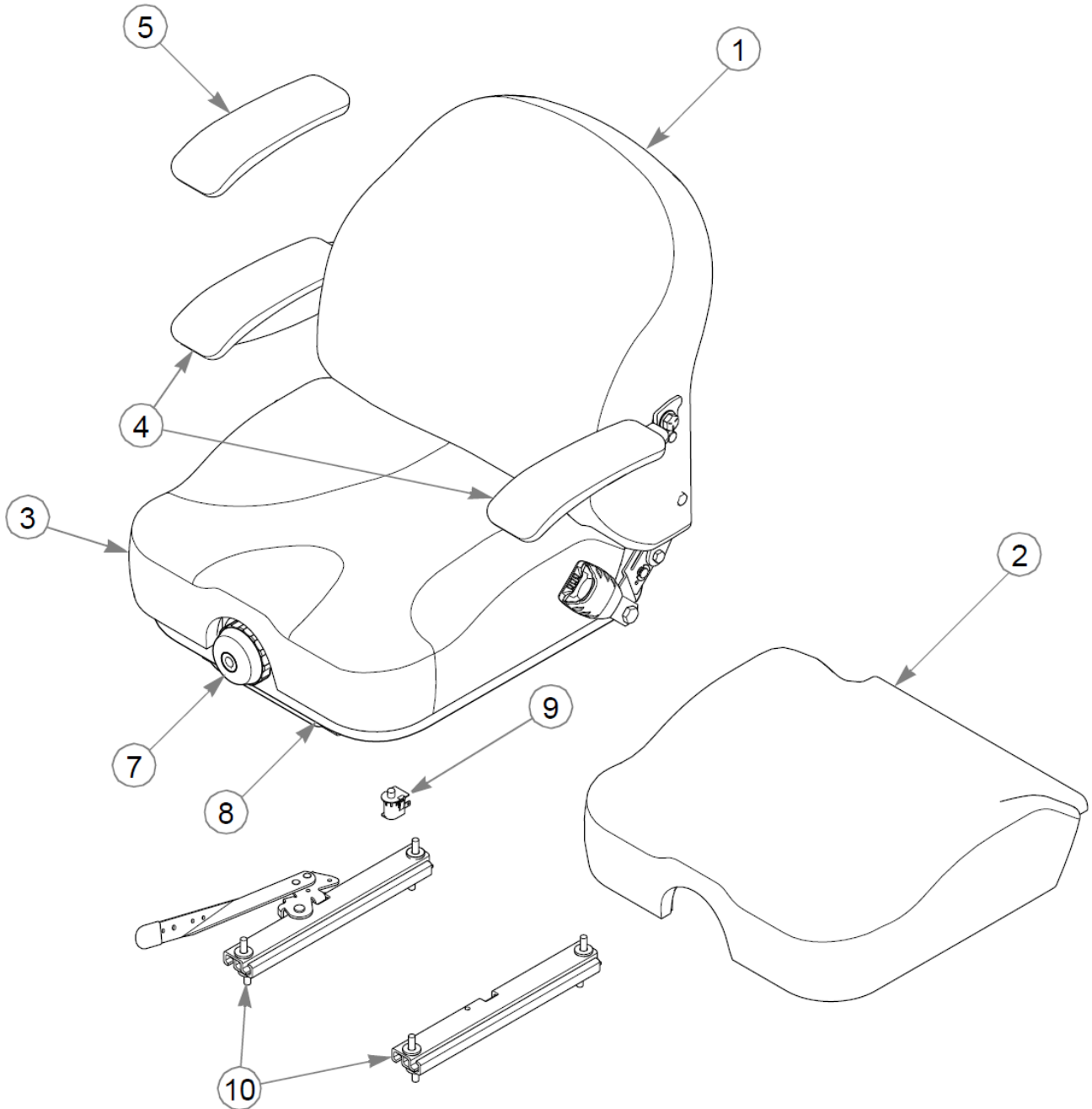
1. Part of the Deck Lift Assembly.



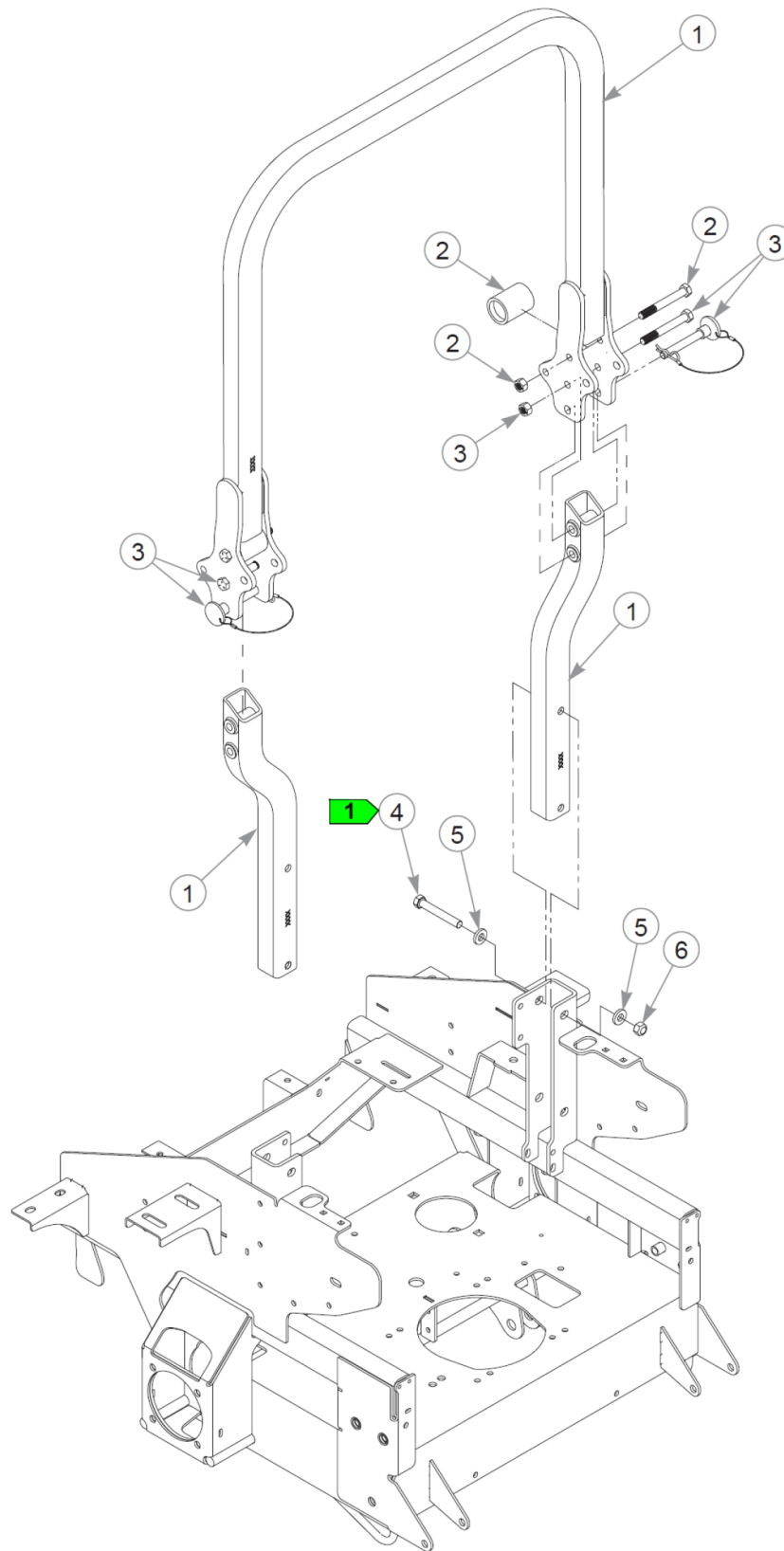
Item	Part No.	Qty	Name
1	607706	1	SEAT, I3M SEATS INC
2	555027	1	SVC, SEAT PAN
3	605688	1	DECAL, LEVEL FUEL FILL
4	785188	1	DECAL, Z ARMREST WARNING
5	712927	4	FW 0.344X1.00X.12 HD ZN
6	058776	4	NT .312-18NLG5
7	086660	4	NT .375-16NLG8
8	767954	10	FW 0.379X.82X.06 HD ZN
9	052860	3	CS .375-16X1.25 HX G5 ZN
10	724716	1	WASHER, FIBER (FS)
11	350421	1	SEAT PAN STOP (PLATED)
12	036244	1	CS .375-16X1.00 HX G5 ZN
13	601650	2	VIBRATION MOUNT 70DURO
14	054502	2	NT .375-16HXG5
15	785139	1	DECAL, STEERING L.S.
16	554963	1	SVC, FRAME COVER LH - CE
17	601069	5	CN .312-18x.200 MAX THK
18	768523	7	FW 0.343SAE
19	064014	5	CS .312-18X0.875HXG5
20	550824	1	FRAME COVER RS, SERVICE
21	785220	1	DECAL, STEERING R.S.
22	016253	2	CB .312-18X .750 FUL ZN
23	605907	1	LATCH ASSEMBLY
24	601815	1	DECAL, BATTERY WARNINGS
25	034272	2	NT .312-18HXG5
26	000331	2	WIRE TIE, SMALL/SHORT
27	607023	1	DECAL, DECK HEIGHT CE
28	554565	1	SVC, FLOOR PAN
29	118900	1	SPACER, DECK LIFT LINK

Comments for Page: Seat & Floor Pan

1. Do not torque; the seat pan and seat pan stop must pivot freely.
2. Torque to 23 N•m.



Item	Part No.	Qty	Name
	607706	1	SEAT, I3M SEATS INC
1	607707	1	SVC, SEAT BACK COVER
2	608351	1	SVC, SEAT FOAM I3M
3	607708	1	SVC, SEAT CUSHION COVER
4	607166	1	SVC, ARM REST KIT
5	606081	2	SVC, ARM PAD
6	607207	1	SVC, SEAT BELT
7	607206	1	SVC, KNOB KIT
8	607205	1	SVC, BELLOWS
9	606082	1	SVC, OPS
10	607204	1	SVC, TRACK KIT



Item	Part No.	Qty	Name
1	608230	1	SVC, ROPS ASSY
2	608126	2	SVC, ROPS ISOLATOR ASM
3	608125	1	ROPS HARDWARE KIT
4	061812	4	CS .500-13X3.50 HX G5 ZN
5	767962	8	FW .531 x 1.063 x .175
6	023317	4	NT .500-13UNTG8

Comments for Page: ROPS

1. Torque to 99 N•m.