

# Hustler® Parts Manual



**HUSTLER®**  
TURF EQUIPMENT

200 South Ridge Road

Hesston, Kansas

67062



#### NOTICE OF REQUIREMENT OF SPARK ARRESTER MUFFLER

This equipment may create sparks that can start fires around dry vegetation. California Public Resources Code Section 4442.6 provides that it is unlawful to use or operate an internal combustion engine on any forest-covered, brush-covered, or grass-covered land unless the engine is equipped with a spark arrester maintained in effective working order. A spark arrester is a device constructed of nonflammable materials specifically for the purpose of removing and retaining carbon and other flammable particles over 0.0232 of an inch in size from the exhaust flow of an internal combustion engine that uses hydrocarbon fuels or which is qualified and rated by the United States Forest Service. Other states or federal areas may have similar laws. The Operator Should Contact Local Fire Agencies For Laws or Regulations Relating to Fire Prevention Requirements. **THIS EQUIPMENT DOES NOT HAVE A SPARK ARRESTER AND YOU SHOULD CONTACT YOUR AUTHORIZED DEALER FOR THE PURCHASE OF A SPARK ARRESTER.**

Inspect spark arrester daily; replace every 500 hours or as needed.

The Engine Owner's Manual provides information regarding the U.S. Environmental Protection Agency (EPA) and the California Emission Control Regulation of emission systems, maintenance and warranty.

Keep Engine Owner's Manual with your unit. Should the Engine Owner's Manual become damaged or illegible, replace immediately. Replacements may be ordered per the information found in the Product Information section of the owner's manual.

Federal law and California State law prohibit the following acts or the causing thereof:

1. The removal or rendering inoperative by any person other than for purposes of maintenance, repair, replacement, of any device or element of design incorporated into any equipment for the purposes of emissions control prior to or after its sales or delivery to the ultimate purchaser or while it is in use, or
2. The use of the equipment after such device or element of design has been removed or rendered inoperative by any person.

General Information .....	1
<b>Frame &amp; Engine Guard</b>	
Frame .....	3-1
Engine Guard .....	3-2
<b>Hydraulic System, Drive Belt, Clutch, Steering &amp; Brake</b>	
Pump Drive, Drive Belt & Clutch .....	4-1
Hydraulic Components .....	4-2
Hydraulic Filter & Reservoir Assembly Breakdown .....	4-3
LS Pump Assembly Breakdown .....	4-4
RS Pump Assembly Breakdown .....	4-5
Wheel Motor Breakdown .....	4-6
Oil Cooler Support .....	4-7
Steering .....	4-8
Steering Assembly (Multi-Page) .....	4-9
LS Steering Box Assembly Breakdown .....	4-10
RS Steering Box Assembly Breakdown .....	4-11
Brake .....	4-12
<b>Wheels &amp; Tires</b>	
Wheels & Tires .....	5-1
Front Wheel Assembly Breakdown .....	5-2
Drive Wheel Breakdown .....	5-3
<b>Engine, Muffler &amp; Fuel System</b>	
Engine & Muffler .....	6-1
Engine Service Parts .....	6-2
Fuel System .....	6-3
<b>Instrument Panel, Wire Harness &amp; Battery</b>	
Instrument Panel & Wire Harness .....	7-1
Battery .....	7-2
<b>Deck, Deck Belts, Blades &amp; Deck Lift</b>	
<b>Center Deck</b>	
Center Service Deck .....	8.1-1
Center Deck Idlers, Idler Slides, Pulleys & Spindles (Multi-Page) .....	8.1-2
Spindle Assembly Service Parts - 607407 & 607408 .....	8.1-3
Center Deck Belt, Blades & Step (Multi-Page) .....	8.1-4
<b>Right Side Deck</b>	
Right Side Service Deck .....	8.2-1
Right Side Deck Pulleys & Spindles .....	8.2-2
Spindle Assembly Service Parts - 607407 & 607408 .....	8.2-3
Right Side Deck & Blades (Multi-Page) .....	8.2-4
<b>Left Side Deck</b>	
Left Side Service Deck .....	8.3-1
Left Side Deck Pulleys & Spindles .....	8.3-2
Spindle Assembly Service Parts - 607407 & 607408 .....	8.3-3
Left Side Deck & Blades (Multi-Page) .....	8.3-4
Center Deck to Wing Deck - Assembly, Belt & Covers (Multi-Page) .....	8-4
Deck Lift & Mounting Hardware (Multi-Page) .....	8-5
Dust Shield .....	8-6
Wing Lift System (Multi-Page) .....	8-7
Manifold Block Breakdown .....	8-8
<b>Seat &amp; ROPS</b>	

Seat & Floor Pan .....	9-1
Seat Service Parts - 607710 .....	9-2
ROPS .....	9-3





---

## General Information

*Note:* When ordering parts, you must use the part number as shown for each part, not the index number. Always give the model and serial number to your parts and service representative.

*Note:* Items sold in bulk such as seals and hoses are sold by the foot.

---

### **Using This Manual**

This manual is part of a service package for the Hustler® mowers. Use of this manual in conjunction with other Hustler® mower and component manuals will provide the information necessary to service and maintain Hustler® mowers.

This Parts Manual provides a complete parts listing for the unit. Use this manual when ordering parts. Illustrations used were current at the time of printing, but subsequent production changes may cause your machine to vary slightly in detail. Excel Industries, Inc. reserves the right to redesign and change the machine as deemed necessary, without notification. If a change has been made to your machine which is not reflected in this parts manual, see your authorized dealer for current information and parts.

The Service Manual is a service guide for use by Service Technicians. It provides the necessary information needed to perform normal maintenance requirements on these units.

The Operator's Manual provides fundamental operational information and operational safety that is needed when operating the mower.

The component manuals are furnished by the various manufacturers to be used for the troubleshooting and servicing of their products.

### **Hardware Description Codes & Abbreviations**

The following codes are used throughout this parts manual. Refer to this list when ordering parts.

ABBREVIATION	DESCRIPTION	ABBREVIATION	DESCRIPTION
CB	CARRIAGE BOLT	MB	MACHINE BUSHING
CE	CLEVIS PIN	MS	MACHINE SCREW
CN	CLIP NUT	NT	NUT
CP	COTTER PIN	SC	SELF TAPPING CAP SCREW
CS	CAP SCREW	SH	SOCKET HEAD
CW	CUP WASHER	SB	SHOULDER BOLT
FDRW	FENDER WASHER	SS	SET SCREW
FW	FLAT WASHER	OD	OUTSIDE DIAMETER
HX	HEX HEAD	ID	INSIDE DIAMETER
LW	LOCK WASHER	WN	WELD NUT

---

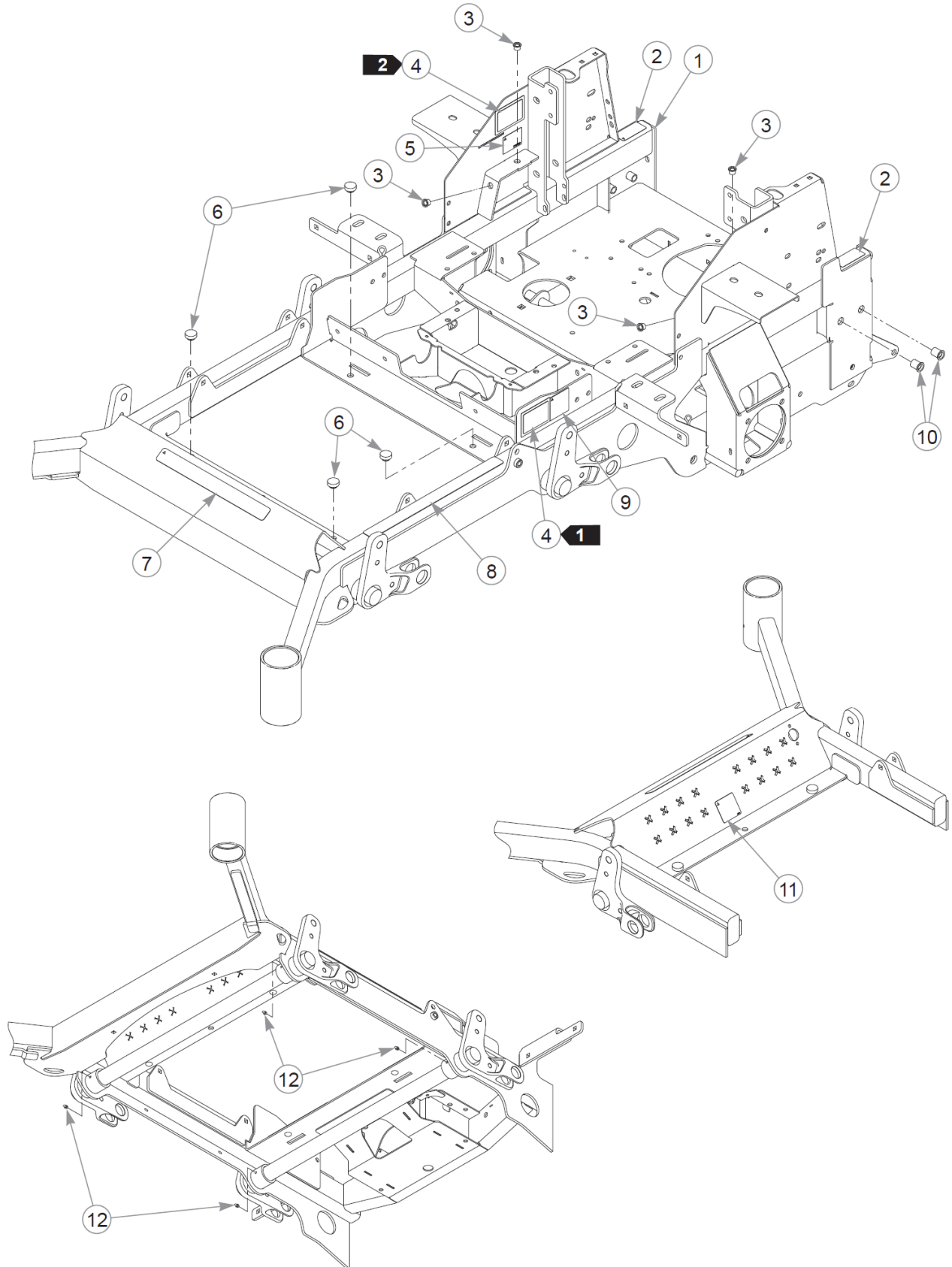
### **Standard Torques**

The following chart lists the standard torque values for the threaded fasteners found in this manual. Torque all cap screws, nuts and set screws to these values unless a different torque is shown in the Notes section next to the fastener.

SIZE	FT-LBS	N•M	SIZE	FT-LBS	N•M
.250	8.2	11.1	M3	1	1.3
.312	17	23	M4	2.2	3
.375	30	40	M5	4.5	6.1
.438	48	65	M6	7.7	10.4
.500	73	99	M8	18.5	25
.562	105	143	M10	37	50
.625	145	200	M12	64	87
.750	260	350	M14	80	108.5
.875	420	565	M16	160	215
1.00	625	850	M20	320	435
			M24	555	750

---

This page intentionally left blank

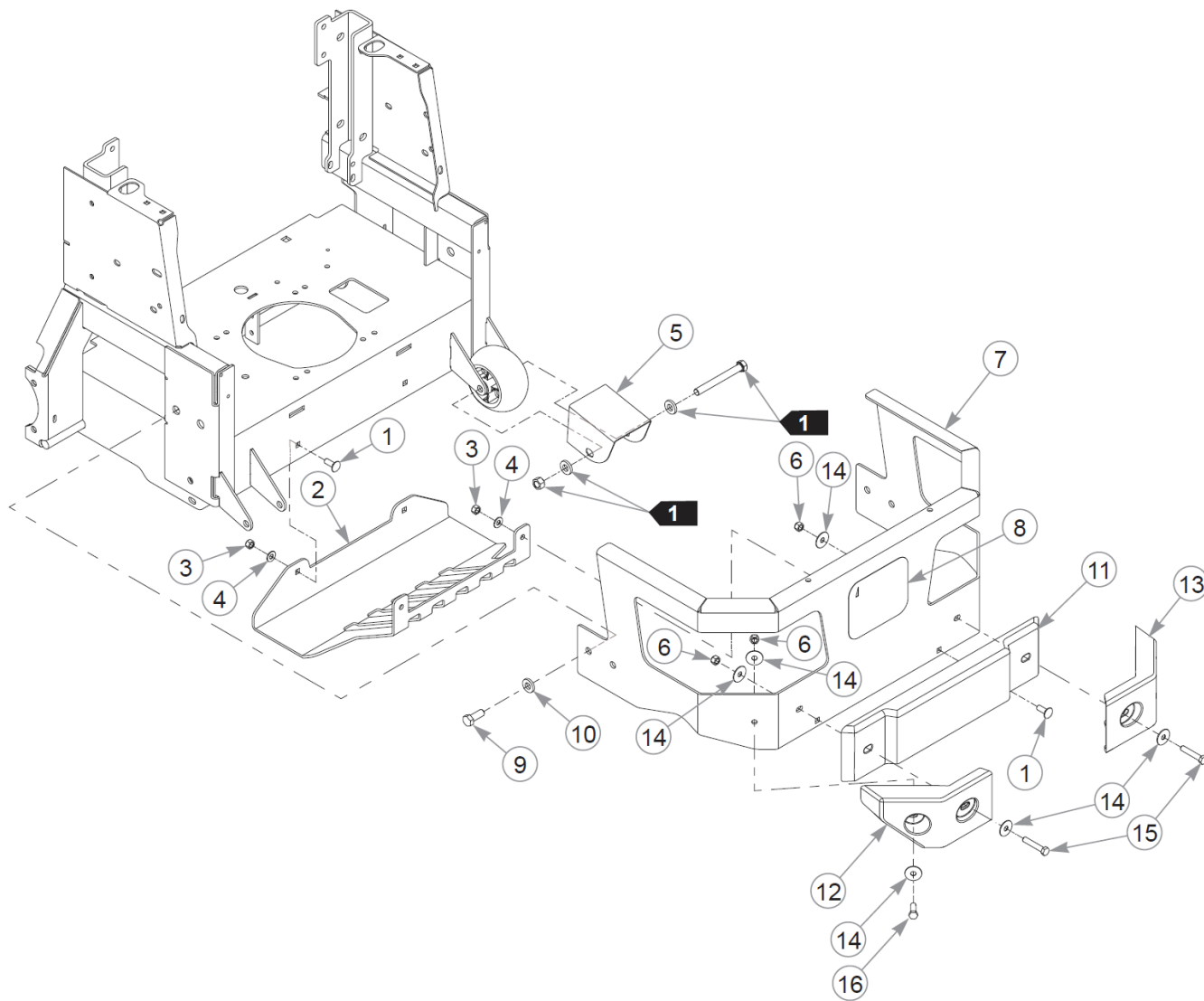


## Frame

Item	Part No.	Qty	Name
1	555395	1	SVC FRAME, CE 104
2	602041	2	DECAL, HOT
3	808493	4	RIVET NUT, 3/8-16 THREA
4	N/A	2	SERIAL NUMBER / SPEC DECAL
5	776310	1	DECAL, CE MARK
6	781880	4	BUMPER, .500x 1.00x .31
7	602407	1	DECAL, HUSTLER ID
8	601993	1	DECAL, SAFE OPERATION
9	789776CE	1	DBA LIMIT DECAL
10	600961	4	RIVET NUT, 1/2-13 THREAD
11	602562	1	DECAL, NO SERVICE
12	015495	4	GREASE FITTING STRAIGHT

Comments for Page: Frame

1. Serial number decal. In the event the serial number decal becomes damaged or illegible, please contact your dealer to order a replacement.
2. EPA compliance decal.
3. The frame includes the decals and hardware.

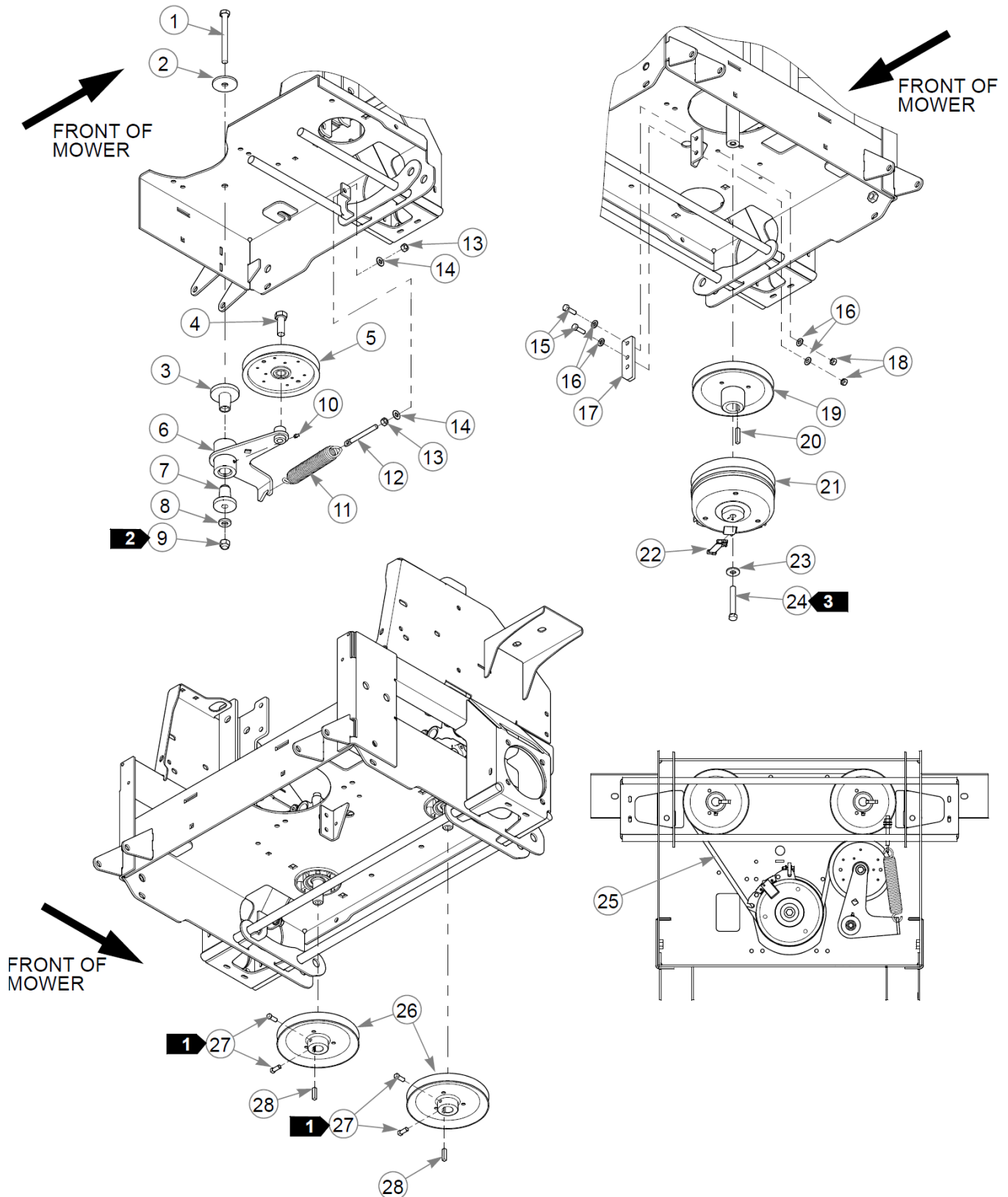


## Engine Guard

Item	Part No.	Qty	Name
1	025395	4	CB .375-16X 1.00 G5 ZNY
2	124573-3	1	MUFFLER GUARD
3	054502	4	NT .375-16HXG5
4	767954	4	FW 0.379X.82X.06 HD ZY
5	377994	2	HEAT SHIELD, MMZ ROLLER
6	086660	4	NT .375-16NLG8
7	554278	1	SVC, BUMPER WITH DECAL
8	606807	1	DECAL, H LOGO
9	705954	4	CS .500-13X1.25 HX G5 ZY
10	767962	4	FW .531 x 1.063 x .175
11	606657	1	PLASTIC BUMPER, CENTER
12	606658	1	PLASTIC BUMPER, LH
13	606659	1	PLASTIC BUMPER, RH
14	705137	8	FW 0.391X1.25X.06 ZY
15	016410	2	CS .375-16X2.000HXG5
16	005132	2	CS .375-16X1.12 HX G5 Z

Comments for Page: Engine Guard

1. Part of the Wheel & Tire Assembly.





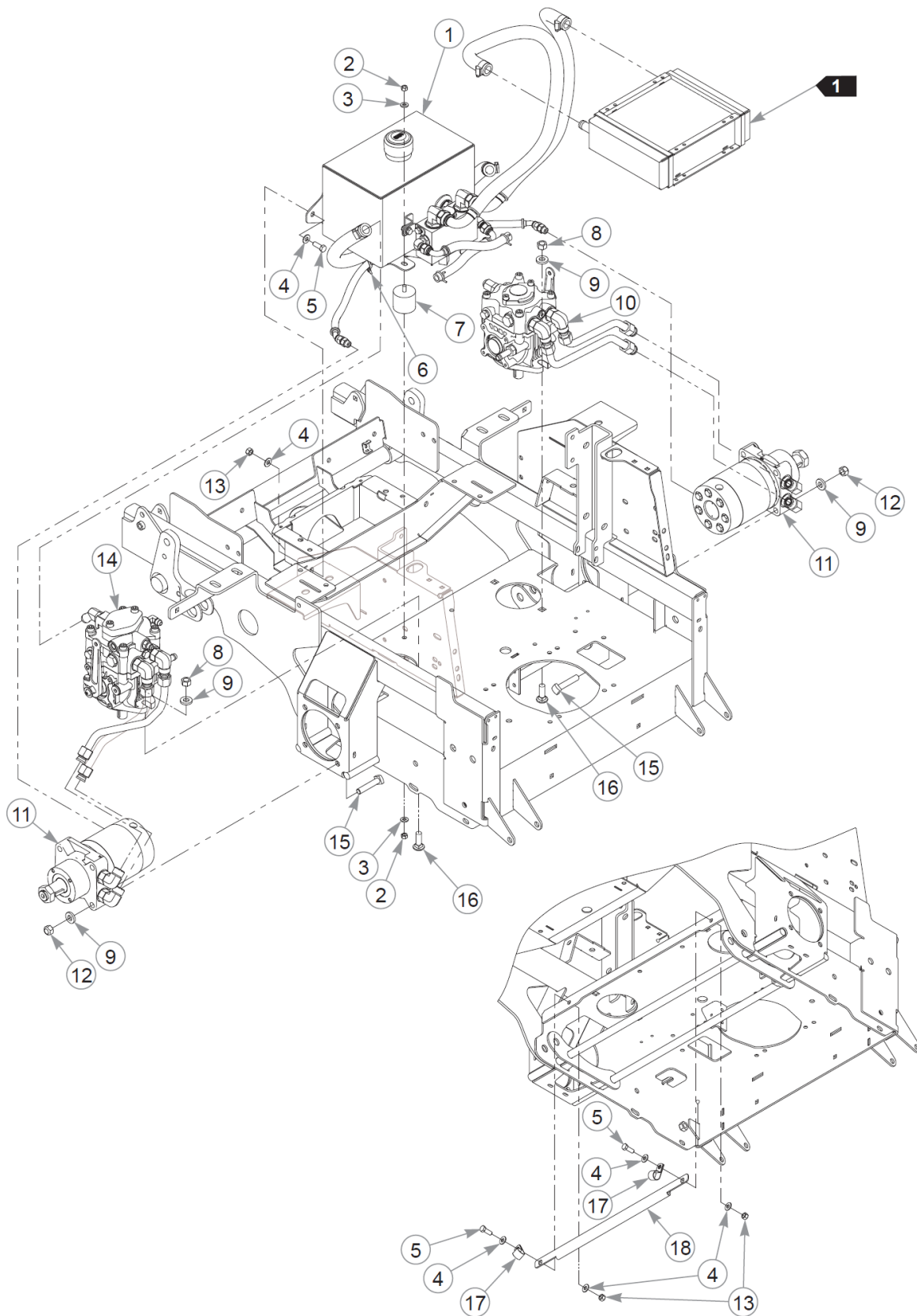
Item	Part No.	Qty	Name
1	051151	1	CS .500-13X5.000HXG5
2	344267	1	FW .510X2.15X.19 ZY
3	602880	1	BUSHING, IDLER PIVOT
4	025007	1	CS .62511X1.750HXG5
5	603783	1	PULLEY, 6" FLAT IDLER
6	115536	1	TENSIONER
7	602879	1	BUSHING, IDLER PIVOT
8	767962	1	FW .531 x 1.063 x .175
9	781567	1	NT .500-13NLG5
10	015495	1	GREASE FITTING STRAIGHT
11	601016	1	IDLER SPRING
12	601486	1	EB, .375-16X3.00 FULTHD
13	054502	2	NT .375-16HXG5
14	767954	2	FW 0.379X.82X.06 HD ZY
15	036236	2	CS .312-18X1.000HXG5
16	768523	4	FW 0.343SAE
17	113347	1	CLUTCH ANCHOR
18	034272	2	NT .312-18HXG5
19	602755	1	PULLEY 7.35 OPx1.125SHFT
20	212076	1	KEY 1/4 SQ X 1.50 LG(FS)
21	606936K	1	CLUTCH KIT, CMS250
22	791251	1	HARNES, CLUTCH PIGTAIL
<p>Comments for Part Num. 791251</p> <p>Pigtail was updated with epoxy to hold the wires steady. The wire sheath was also updated to a more flexible material.</p>			
23	602680	1	FW .453X1.12X.12 HRD ZY
24	785048	1	CS .437-20X3.00 HXG5 P85
25	603904	1	DRIVE BELT
26	602754	2	PULLEY 7.35 OPx0.875SHFT
27	083196	4	SS .312-18X0.750SQ
28	210146	2	KEY 1/4 SQ X 1.12 LONG

Comments for Page: Pump Drive, Drive Belt & Clutch

1. Torque to 16–20 N•m.
2. Torque to 96–102 N•m. The tensioner should pivot freely.

3. Torque to 61–65 N•m. Replace (do not reuse) the cap screw if it is removed or loosened.. Use only hand tools to install this fastener.

This page intentionally left blank

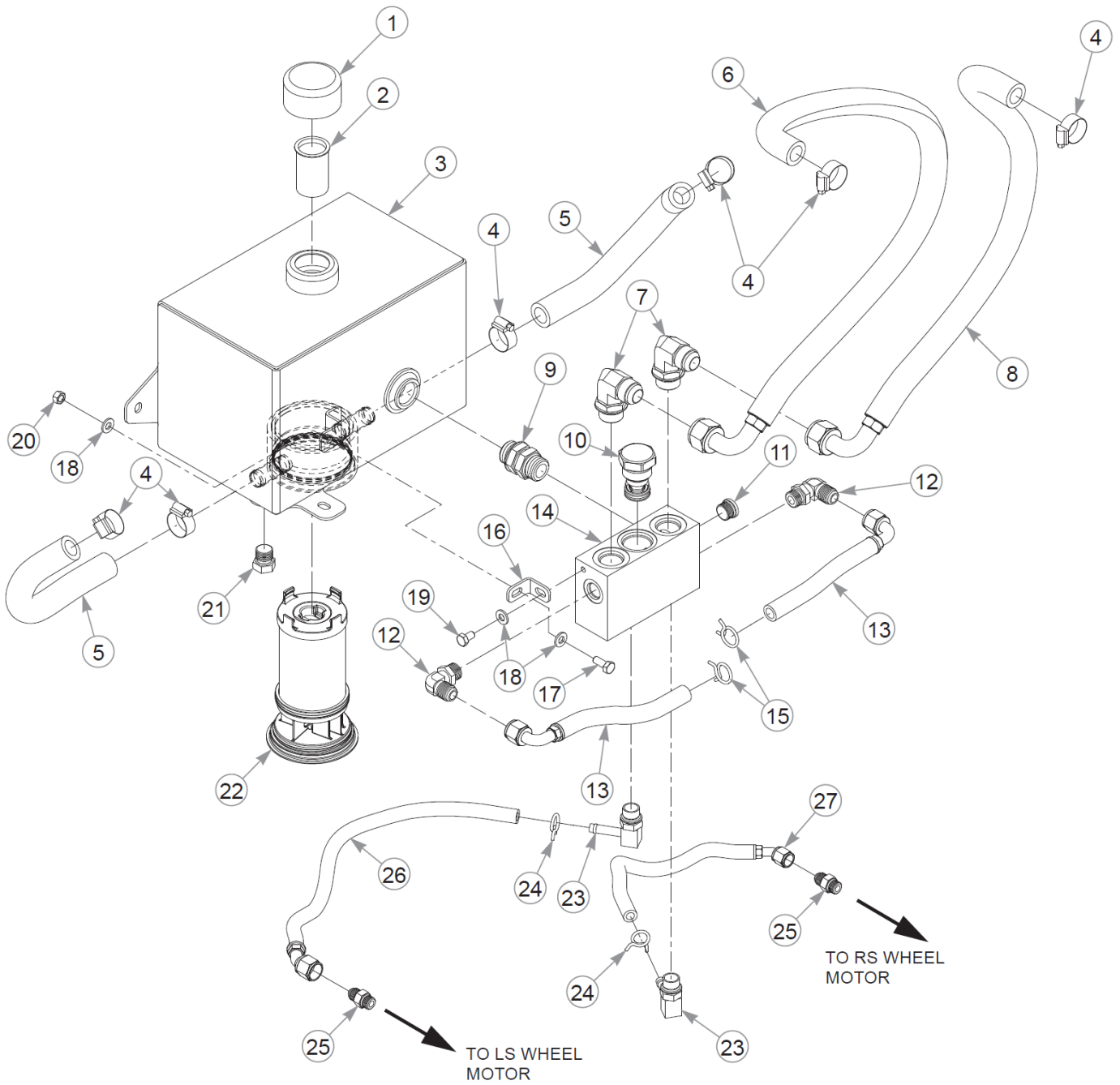


Item	Part No.	Qty	Name
1		1	REFER TO "HYDRAULIC RESERVOIR ASSEMBLY BREAKDOWN"
2	034272	2	NT .312-18HXG5
3	768523	2	FW 0.343SAE
4	767954	8	FW 0.379X.82X.06 HD ZY
5	036244	4	CS .375-16X1.00 HX G5 ZY
6	000331	1	WIRE TIE, SMALL/SHORT
7	604320	1	VIBRATION MOUNT
8	008193	4	NT .500-13HXG5
9	767962	12	FW .531 x 1.063 x .175
10		1	REFER TO "RS PUMP ASSEMBLY BREAKDOWN"
11		2	REFER TO "WHEEL MOTOR BREAKDOWN"
12	023317	8	NT .500-13UNTG8
13	054502	4	NT .375-16HXG5
14		1	REFER TO "LS PUMP ASSEMBLY BREAKDOWN"
15	602256	8	CS .500-13X2.500 SQ G5
16	028274	4	CB .500-13X 1.500 FULL
17	043570	2	CLIP - HOSE - SINGLE(FS)
18	119384	1	BELT GUIDE

Comments for Page: Hydraulic Components

1. Part of the Oil Cooler Support Assembly.

# Hydraulic Filter & Reservoir Assembly Breakdown

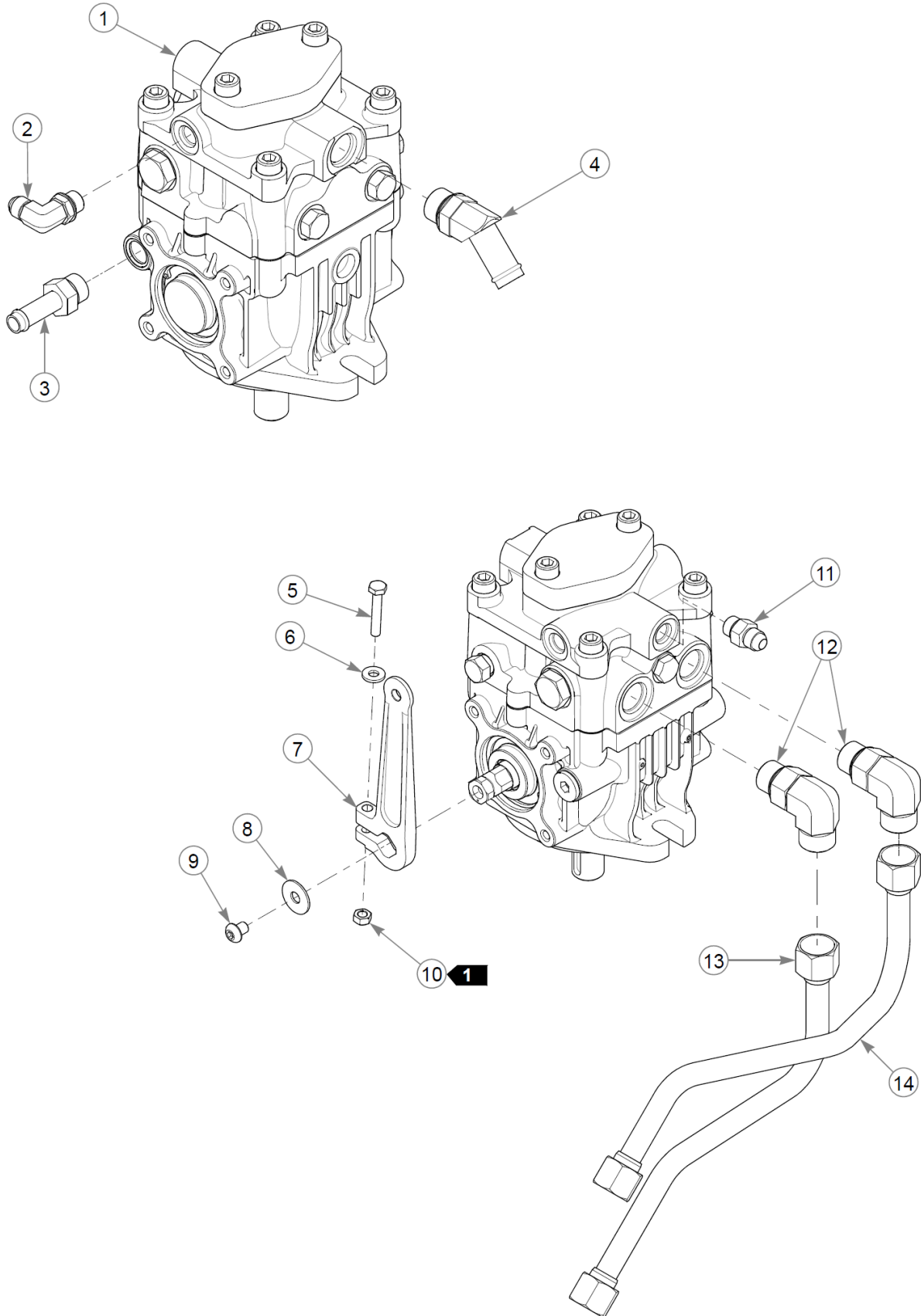


## Hydraulic Filter & Reservoir Assembly Breakdown

Super 104 Parts Manual - 939652CE - HTSWSR104KAWFX1000VC

Item	Part No.	Qty	Name
1	032763	1	CAP, BREATHER
2	032771	1	STRAINER
3	606173	1	RESERVOIR, HYDRAULIC
4	700484	6	CLAMP, HOSE (FS)
5	603045	2	HOSE, PUMP SUCTION
6	603046	1	HOSE, TO COOLER
7	603189	2	FTG, -12MORB/-12MJIC 90°
8	603047	1	HOSE, FROM COOLER
9	603039	1	FTG, -12MORB/-12MORB STR
10	603053	1	CHECK VALVE
11	603123	1	FTG, -8MORB HEX PLUG
12	771311	2	FTG, -8MORB/-8MJIC, 90°
13	603042	2	HOSE, PUMP CASE DRAIN
14	603000	1	MANIFOLD, CASE DRAIN
15	601001	2	SPRING CLAMP, .75" DIA
16	113623	1	SUPPORT BRACKET
17	034280	1	CS .312-18X0.750HXG5
18	768523	3	FW 0.343SAE
19	068346	1	CS .312-18X0.500HXG5
20	034272	1	NT .312-18HXG5
21	781658	1	FTG, -8MORB/HEX PLUG
22	602768X	1	HYDRAULIC OIL FILTER
23	603190	2	FTG, -8MORB/-6BT 90°
24	601617	2	SPRING CLAMP, 5/8" DIA.
25	779132	2	FTG, -6MORB/-6MJIC STR
26	603043	1	HOSE, L MOTOR CASE DRAIN
27	603044	1	HOSE, R MOTOR CASE DRAIN

# LS Pump Assembly Breakdown





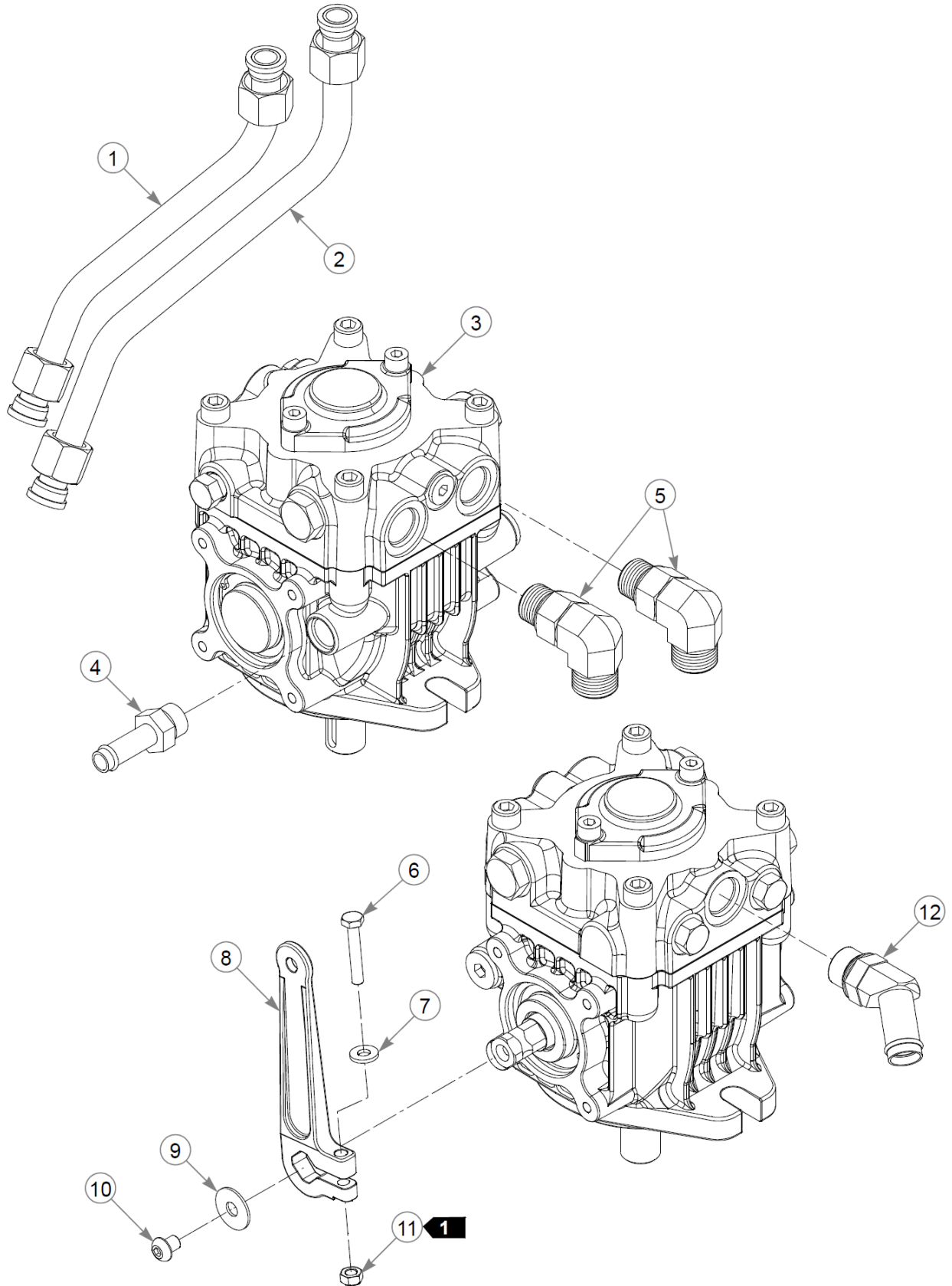
# LS Pump Assembly Breakdown

Item	Part No.	Qty	Name
1	603895	1	PUMP, DDC20 W/ IMP - HH
<p>Comments for Part Num. 603895</p> <p>***IMPORTANT*** To receive warranty coverage, when replacing 603895 (LS PUMP) it is required that 122756 FILTER FLUSH KIT be used during replacement.</p>			
2	795922	1	FTG, 90-6MORB/-6MJI
3	601523	1	FTG, -8MORB/-8BT STR
4	774968	1	FTG, -10MORB/-12BT 45°
5	008581	1	CS .250-20X1.500HXG5
6	768515	1	FW 0.281SAE
7	602732	1	PUMP ARM , SUPER Z
8	079210	1	FW 0.344X1.0X0.06 ZY
9	603272	1	CS M8-1.25x10 G10.9 SHBH
10	068551	1	NT .250-20 HXZY NL
11	779132	1	FTG, -6MORB/-6MJIC STR
12	602443	2	FTG,-10MORB/-10MORFS 90°
13	602873	1	TUBE, LP-BM LH LOOP
14	602874	1	TUBE, RP-TM LH LOOP

Comments for Page: LS Pump Assembly Breakdown

1. Torque to 11 N•m.

# RS Pump Assembly Breakdown

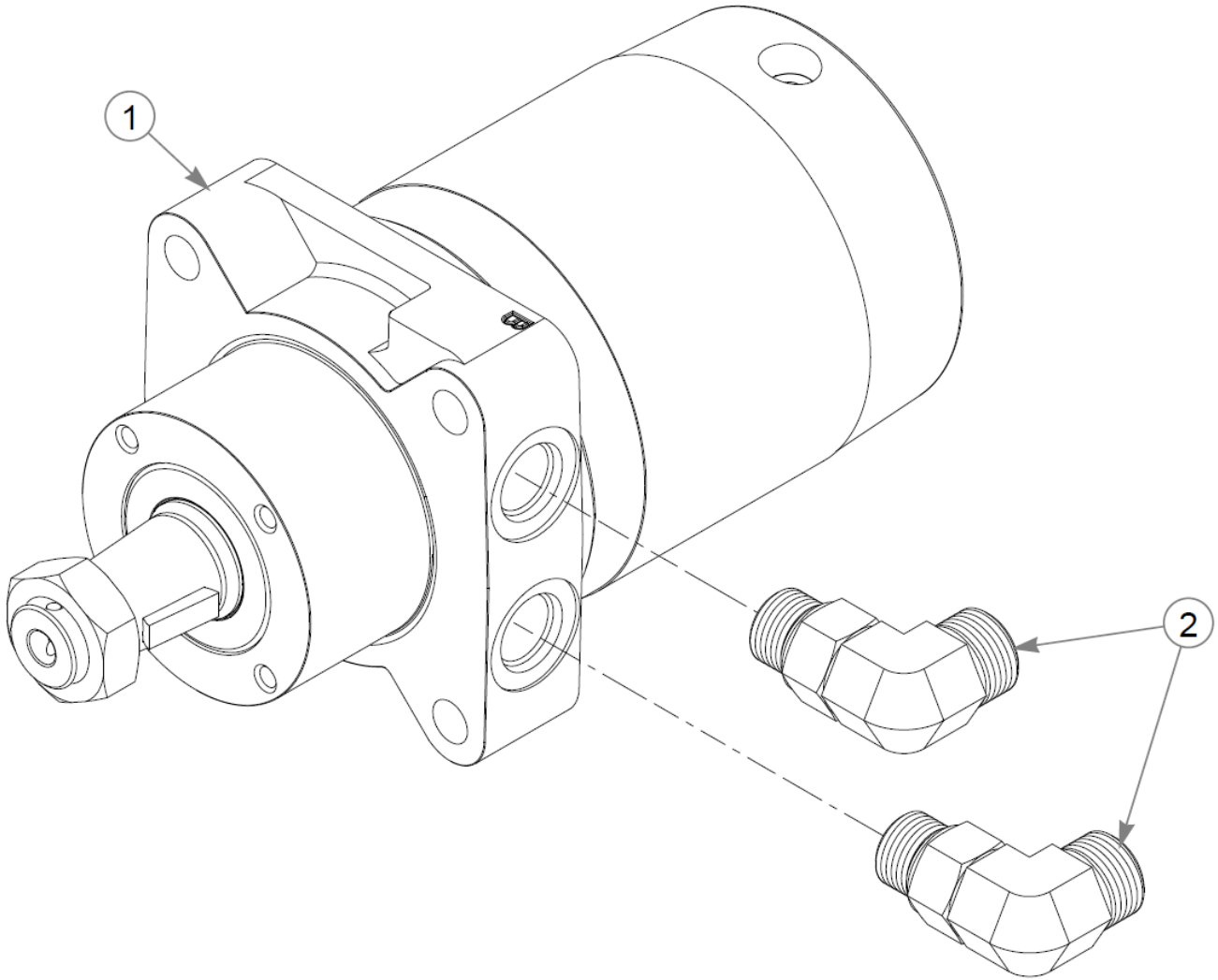


# RS Pump Assembly Breakdown

Item	Part No.	Qty	Name
1	602876	1	TUBE, RP-TM RH LOOP
2	602875	1	TUBE, LP-BM RH LOOP
3	602964	1	PUMP, DANFOSS DDC20 - HH
4	601523	1	FTG, -8MORB/-8BT STR
5	602443	2	FTG,-10MORB/-10MORFS 90°
6	008581	1	CS .250-20X1.500HXG5
7	768515	1	FW 0.281SAE
8	602732	1	PUMP ARM , SUPER Z
9	079210	1	FW 0.344X1.0X0.06 ZY
10	603272	1	CS M8-1.25x10 G10.9 SHBH
11	068551	1	NT .250-20 HXZY NL
12	774968	1	FTG, -10MORB/-12BT 45°
13	603362	1	SEAL KIT, DANFOSS DDC20

Comments for Page: RS Pump Assembly Breakdown

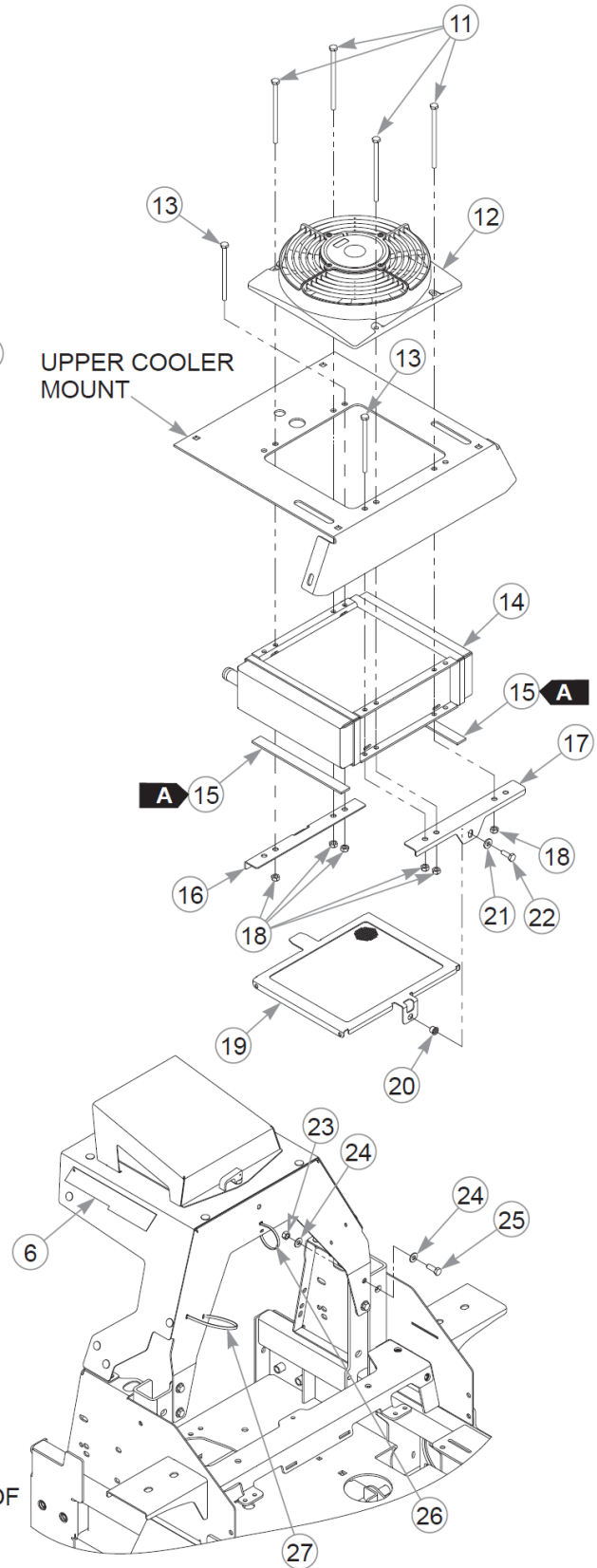
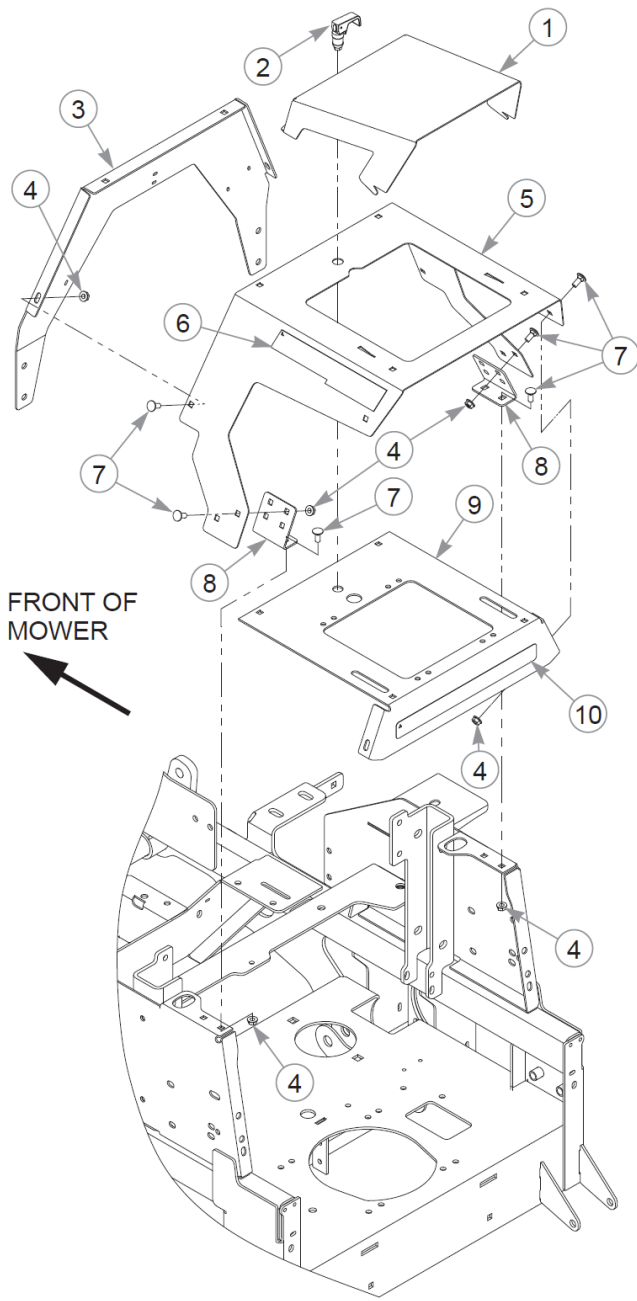
1. Torque to 11 N•m.



## Wheel Motor Breakdown

Item	Part No.	Qty	Name
1	603898	1	MOTOR, TG0360 - HH
2	602443	2	FTG,-10MORB/-10MORFS 90°

# Oil Cooler Support



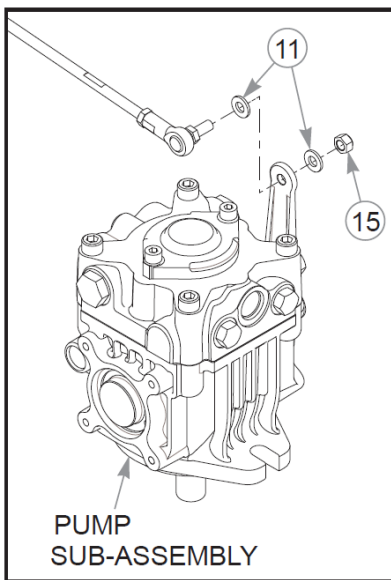
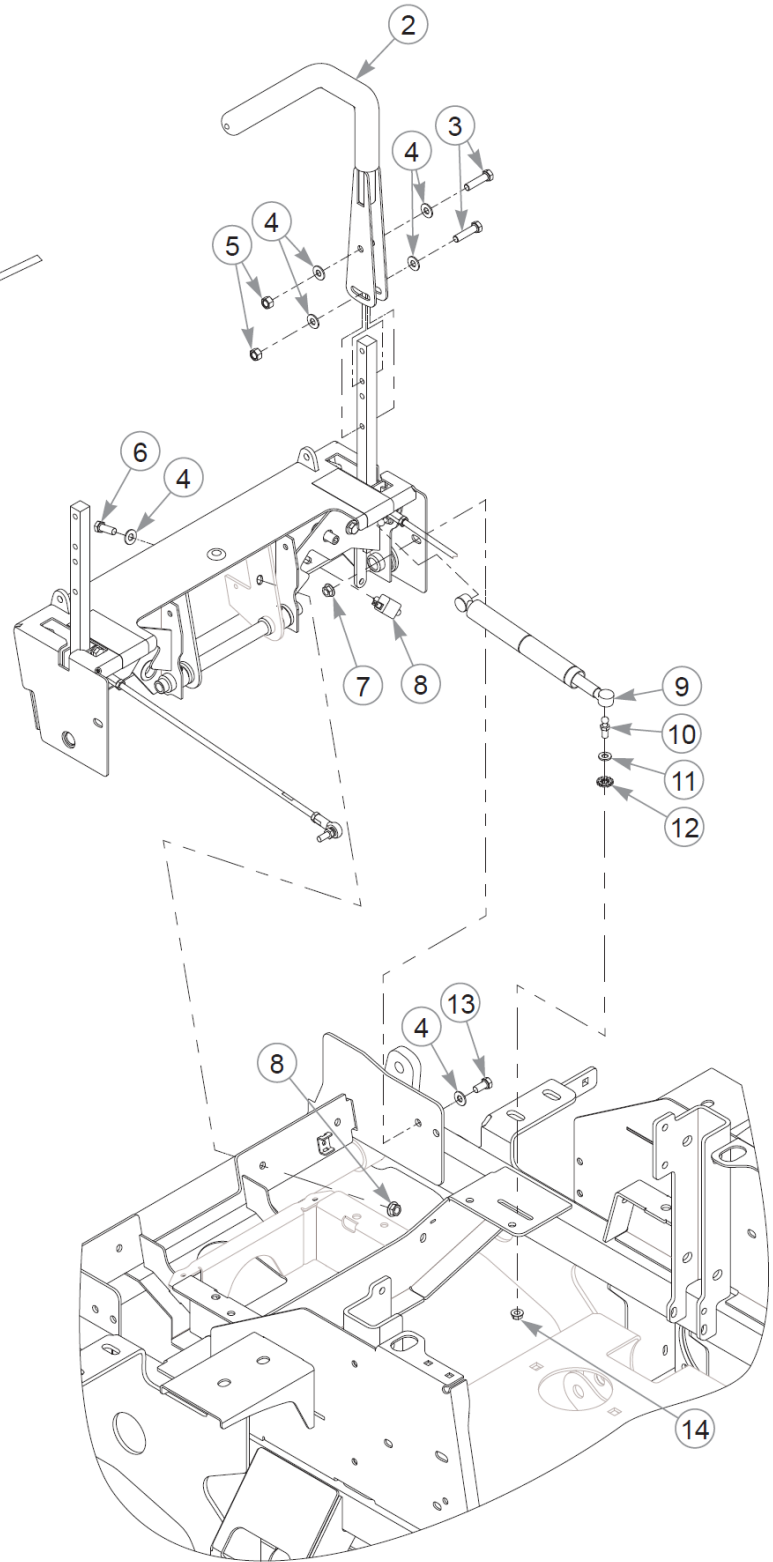
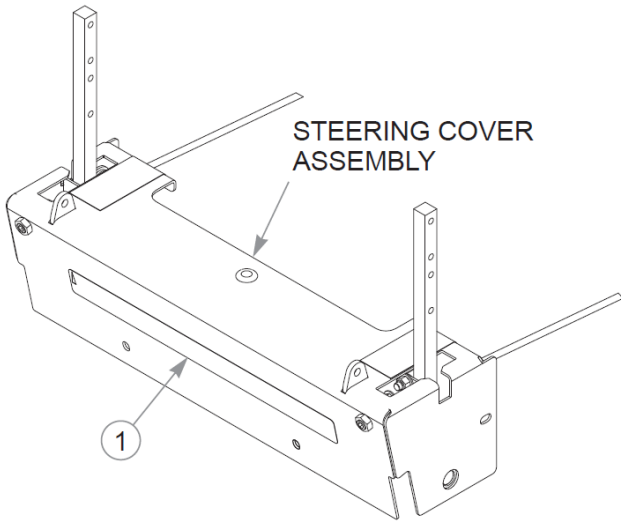
Item	Part No.	Qty	Name
1	124302-1	1	AIR SCOOP, OIL COOLER
2	791384	1	LATCH, HEAVY DUTY SWELL
3	125826-1	1	OIL COOLER MOUNT
4	016832	16	NT .312-18FLKG5
5	554388	1	SVC, OIL COOLER COVER
6	606909	2	DECAL, HYPERDRIVE
7	016253	16	CB .312-18X .750 FUL ZN
8	117725	2	BRACKET, COOLER MOUNT
9	554389	1	SVC, COOLER MOUNT
10	602407	1	DECAL, HUSTLER ID
11	603229	4	CS .250-20X4.500 HX G5
12	603066	1	FAN, 9" 12V
13	603228	2	CS .250-20X4.000 HX G5
14	602709	1	OIL COOLER, HYD 8" FAN
15	033035	40 cm	WEATHERSTRIP .12X.75
16	124390-1	1	BRACKET, SCRNM MNT FNT
17	124389-1	1	BRACKET, SCRNM MNT RR
18	068551	6	NT .250-20 HXZY NL
19	114165	1	SCREEN ASSY SZ COOLER
20	808477	1	RIVET NUT, 1/4-20 THREA
21	768515	1	FW 0.281SAE
22	055939	1	CS .250-20X0.75 HX G5 ZY
23	054502	4	NT .375-16HXG5
24	767954	8	FW 0.379X.82X.06 HD ZY
25	036244	4	CS .375-16X1.00 HX G5 ZY
26	000331	1	WIRE TIE, SMALL/SHORT
27	000430	2	WIRE TIE, SMALL/LONG

Comments for Page: Oil Cooler Support

1. The oil cooler cover and upper cooler mount include decals.

WEATHERSTRIP LENGTH

A: 20 cm

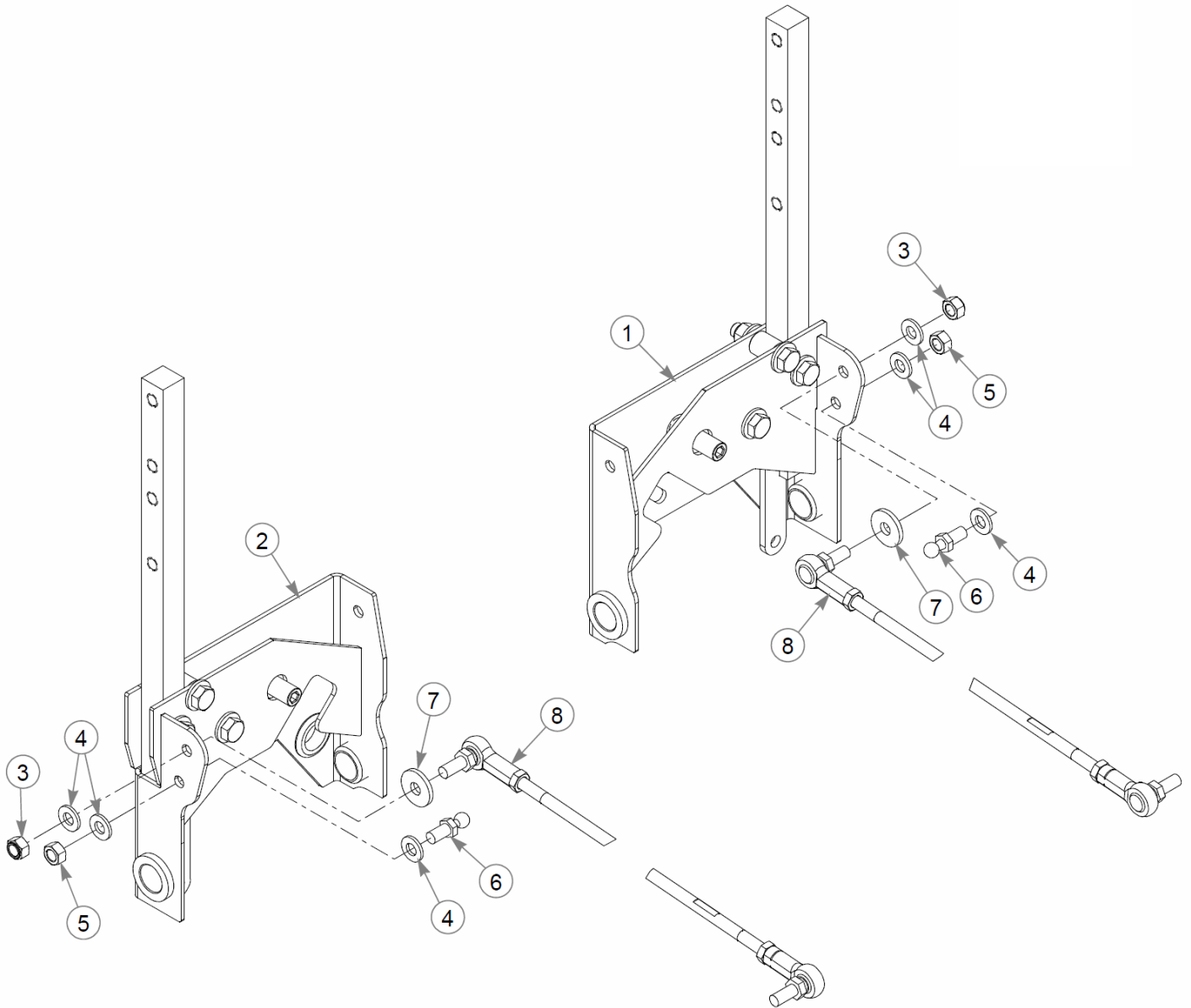




Item	Part No.	Qty	Name
1	605672	1	DECAL, SUPER 104 ID
2	604339	2	W/A, STEERING ARM
Not Shown	781260	2	GRIP, STEERING BAR
3	604365	4	CS .375-12X1.50 HX G5 ZY
4	767954	14	FW 0.379X.82X.06 HD ZY
5	054502	6	NT .375-16HXG5
6	036244	2	CS .375-16X1.00 HX G5 ZY
7	016899	2	NT .375-16 FLKG5
8	601087	2	SWITCH, PLUNGER N.O.
9	603192	2	DAMPER, STEERING
10	781922	2	BALL STUD
11	768523	6	FW 0.343SAE
12	029876	2	LW .312 INTEXT ZY
13	055822	2	CS .375-16X0.75 HX G5 ZY
14	016832	2	NT .312-18FLKG5
15	023655	2	NT 0.312-24 NL G8

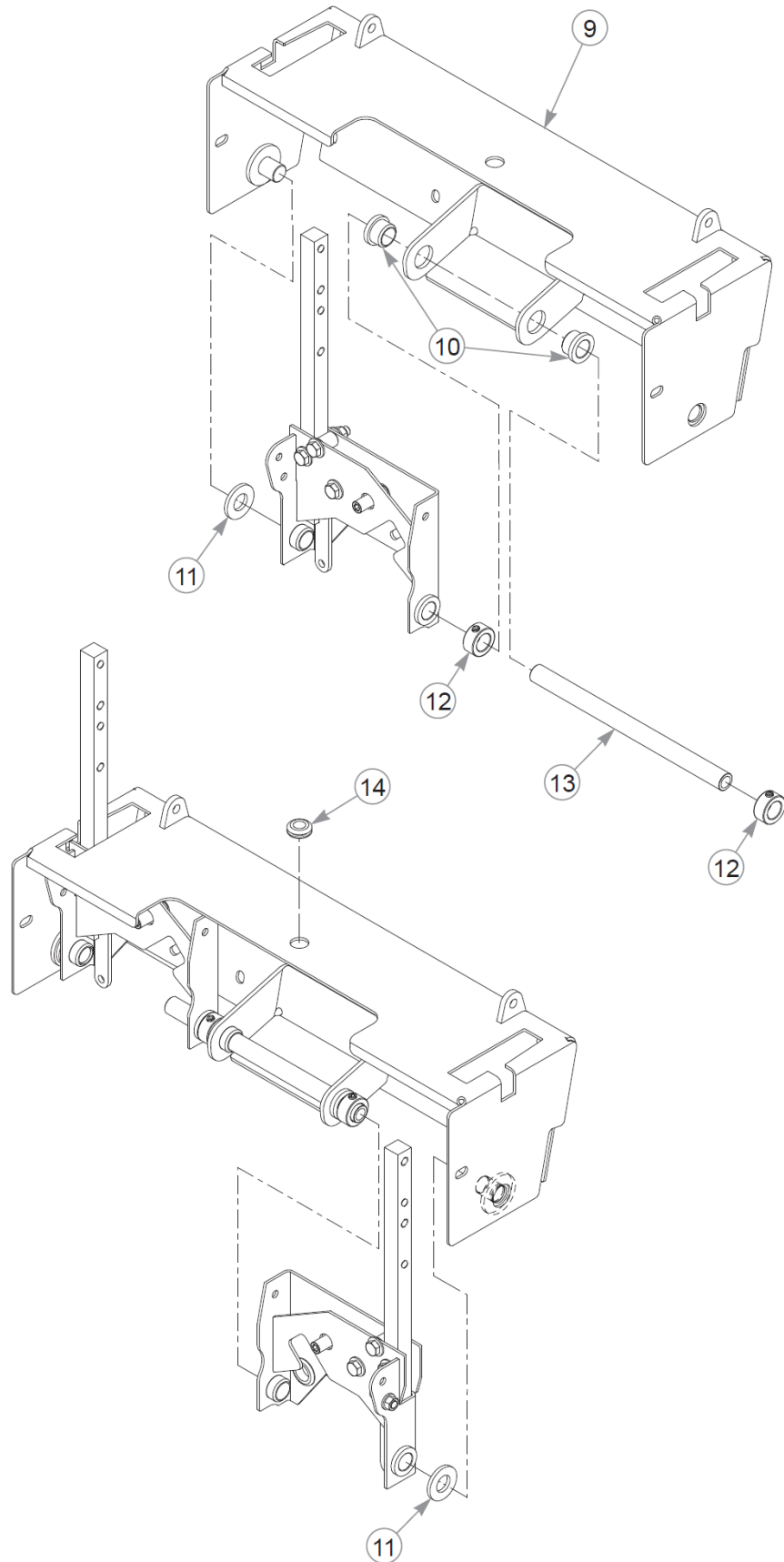
Comments for Page: Steering

1. The steering handle includes the grip.

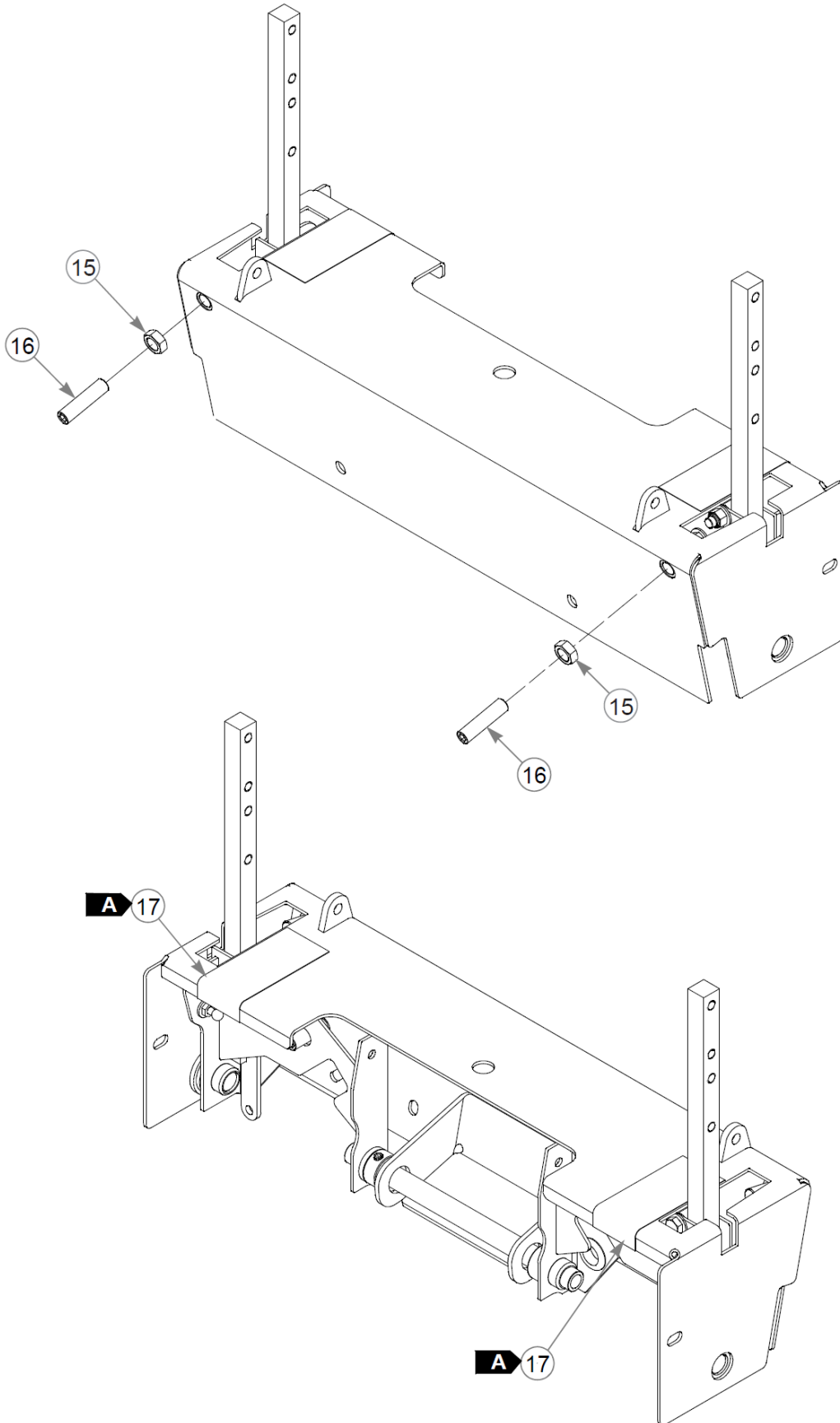


# Steering Assembly (Multi-Page)

Item	Part No.	Qty	Name
1	604295	1	STEERING BOX SUB, RH
2	604296	1	STEERING BOX SUB, LH
3	023655	2	NT 0.312-24 NL G8
4	768523	6	FW 0.343SAE
5	034272	2	NT .312-18HXG5
6	781922	2	BALL STUD
7	712927	2	FW 0.344X1.00X.12 HD ZY
8	781286	2	PUMP ROD ADJUSTER ASSY
9	112895	1	STEERING COVER W/A, SZ
10	781153	2	BUSHING, UHMW
11	603078	2	FW .750X1.50X.16 ZY
12	784439	2	LOCK COLLAR,0.757 ID(FS)
13	113007	1	STEER PIVOT TUBE, SZ
14	080358	1	GM .50X1.00X.75X.12
15	053199	2	NT .500-13JAMG5
16	603055	2	SS .500-13X 2.50 SH ZNYC
17	722199	11"	POLYURETHANE 2" (FS)



This page intentionally left blank



## Steering Assembly (Multi-Page)

Super 104 Parts Manual - 939652CE - HTSWSR104KAWFX1000VC

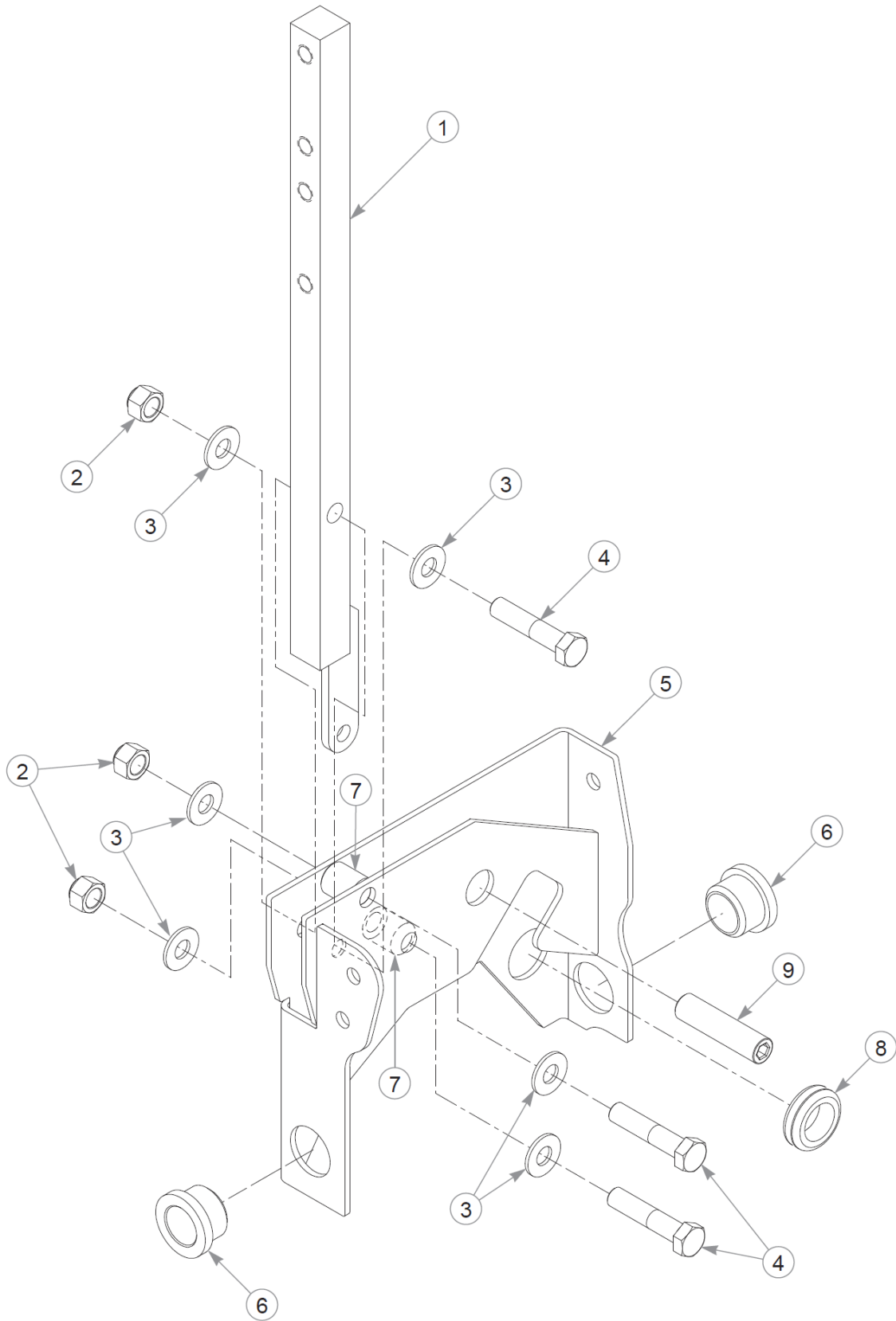
Comments for Page: Steering Assembly (Multi-Page)

WEAR TAPE LENGTH

A: 14 cm +/- 0.8 cm

1. The steering cover includes the decal.

LS Steering Box Assembly Breakdown





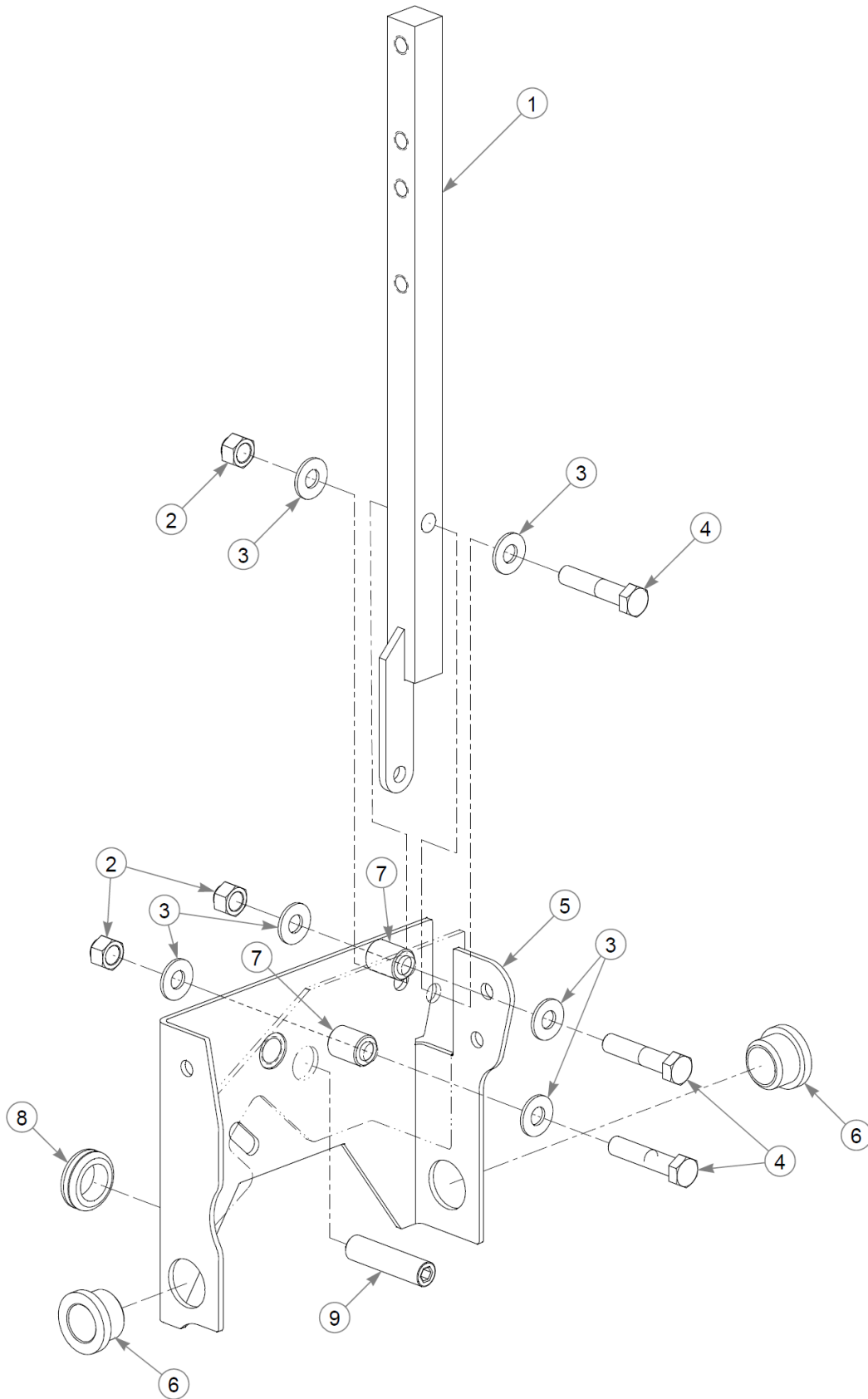
## LS Steering Box Assembly Breakdown

Super 104 Parts Manual - 939652CE - HTSWSR104KAWFX1000VC

Item	Part No.	Qty	Name
1	NSS	1	STEERING ARM W/A
2	086660	3	NT .375-16NLG8
3	767954	6	FW 0.379X.82X.06 HD ZY
4	705178	3	CS .375-16X1.750HXG5
5	112899	1	STEERING BOX W/A LH
6	781153	2	BUSHING, UHMW
7	348862	2	STEERLEVER BUSHING (PLA
8	047456	1	GM .750X.188X1.00X.12
9	797738	1	SS .500-13X2.000SH

Comments for Page: LS Steering Box Assembly Breakdown

1. Torque all hardware to 33 ft-lbs  $\pm$  10%.



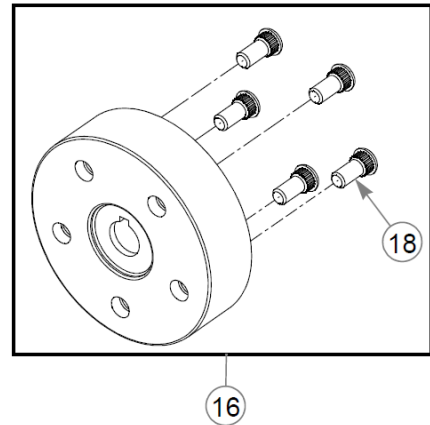
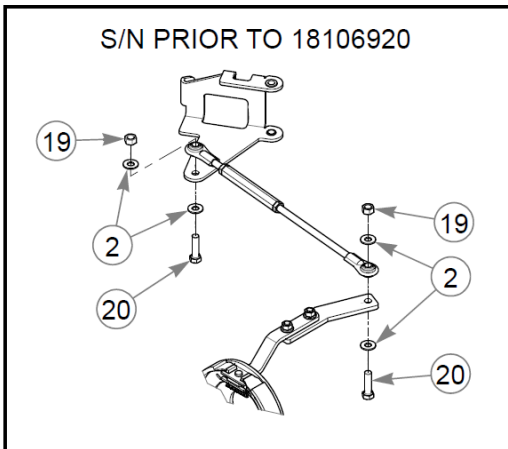
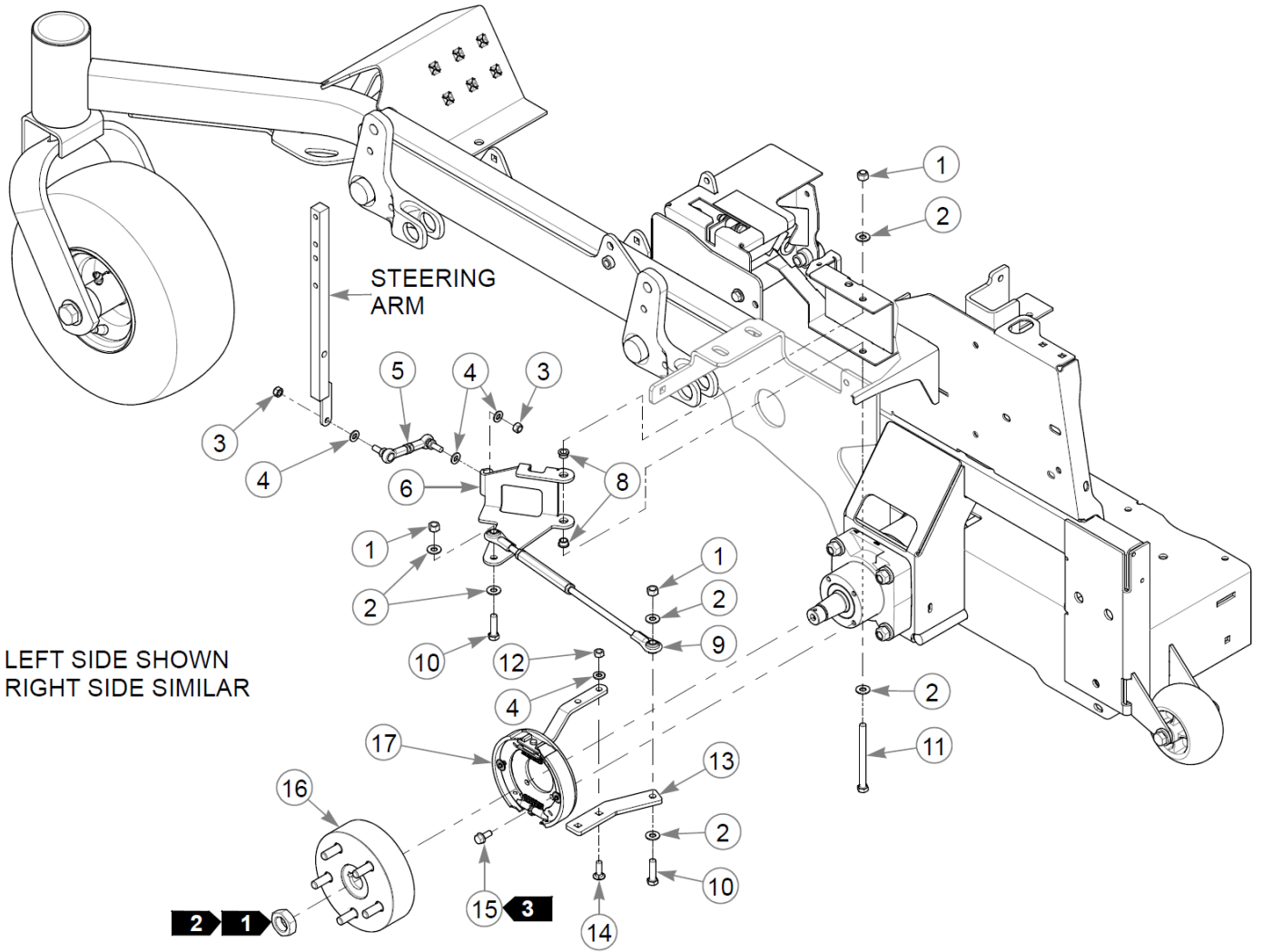
## RS Steering Box Assembly Breakdown

Super 104 Parts Manual - 939652CE - HTSWSR104KAWFX1000VC

Item	Part No.	Qty	Name
1	NSS	1	STEERING ARM W/A
2	086660	3	NT .375-16NLG8
3	767954	6	FW 0.379X.82X.06 HD ZY
4	705178	3	CS .375-16X1.750HXG5
5	112898	1	STEERING BOX W/A, RH
6	781153	2	BUSHING, UHMW
7	348862	2	STEERLEVER BUSHING (PLA
8	047456	1	GM .750X.188X1.00X.12
9	797738	1	SS .500-13X2.000SH

Comments for Page: RS Steering Box Assembly Breakdown

1. Torque all hardware to 33 ft-lbs  $\pm$  10%.

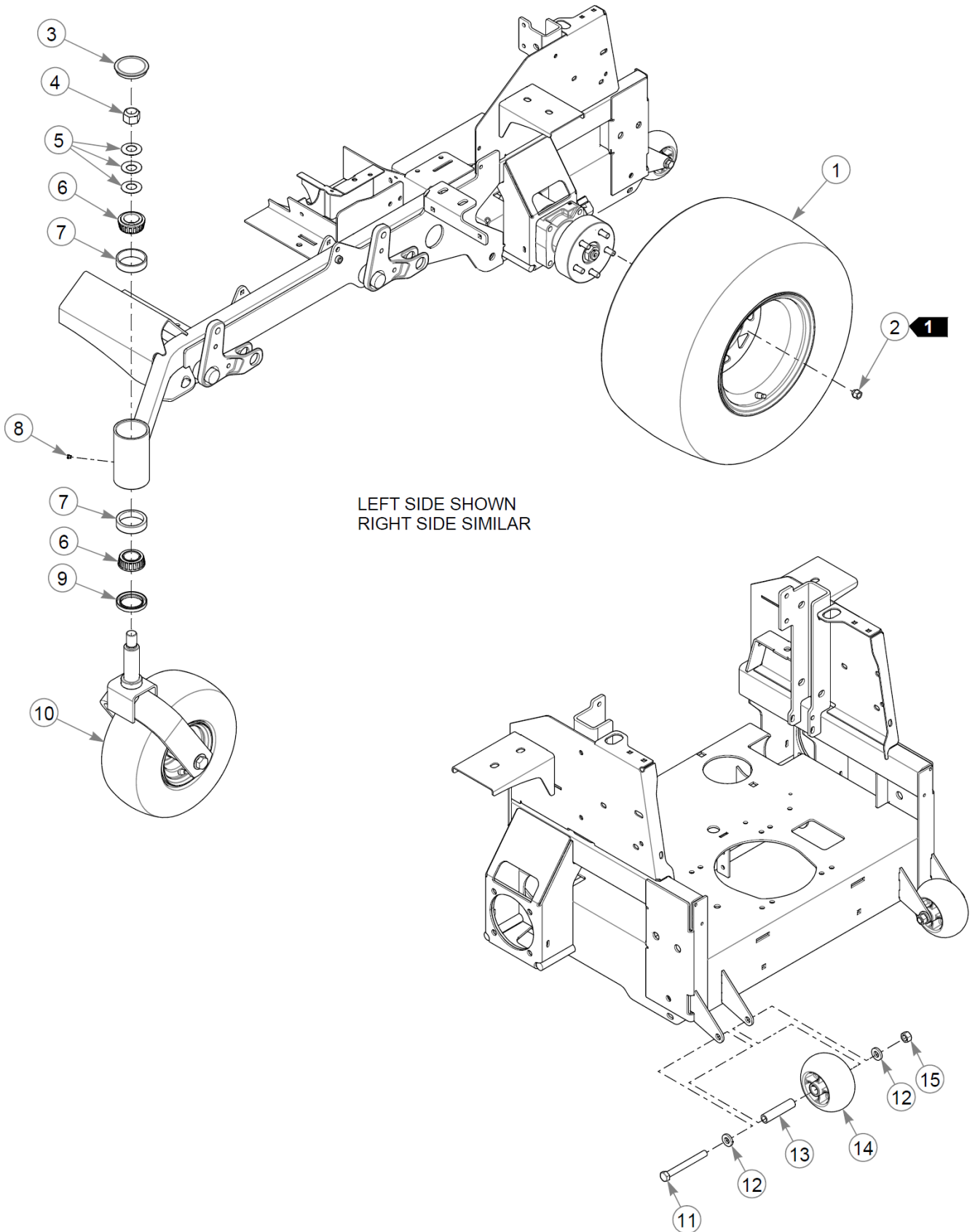


## Brake

Item	Part No.	Qty	Name
1	086660	6	NT .375-16NLG8
2	767954	12	FW 0.379X.82X.06 HD ZY
3	023655	4	NT 0.312-24 NL G8
4	768523	10	FW 0.343SAE
5	781583	2	BRAKE ROD ASSEMBLY
6	112907	1	BRAKE BELLCRANK, SZ LS
7	112906	1	BRAKE BELLCRANK, SZ RS
8	765339	4	BUSHING,IGUS#0608 (FS)
9	350397	2	BRAKE LINK TURNBUCKLE A
10	080655	4	CS .375-16X1.500HXG5
11	052514	2	CS .375-16X4.500HXG5
12	034272	4	NT .312-18HXG5
13	111309	2	BRAKE ARM,Z4
14	037887	4	CB .312-18X 1.000 FUL YZ
15	604461	8	CS .312-18X.75HXG8 FL
16	602384	2	HUB ASSY, PARKER
17	602383	2	BRAKE ASSY, PARKER
18	606124	5	STUD 1/2-20 X 1 1/2"
19	054502	4	NT .375-16HXG5
20	005116	4	CS .375-16X1.38 HX G5 ZY

Comments for Page: Brake

1. Included with the wheel motor.
2. Torque to 298–325 N•m.
3. Torque to 37 N•m.
4. The hub assembly includes the studs.

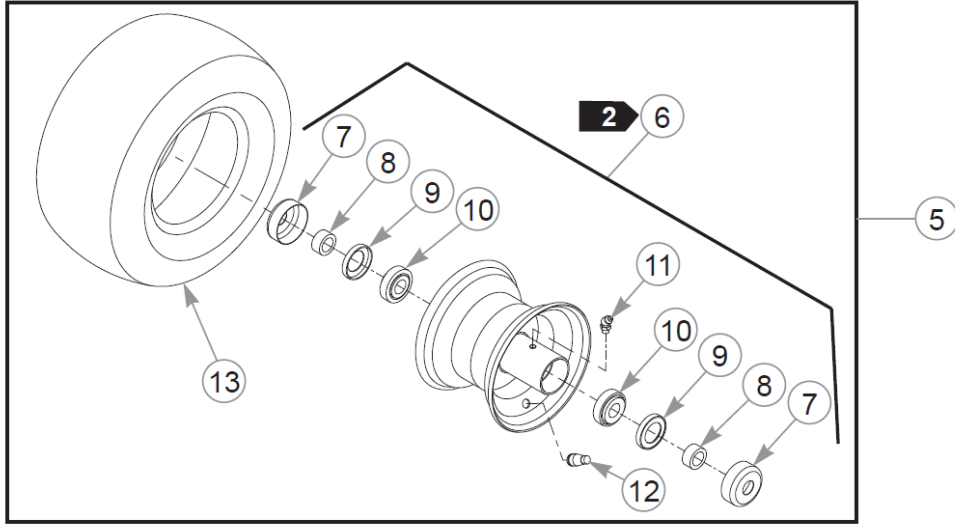


## Wheels & Tires

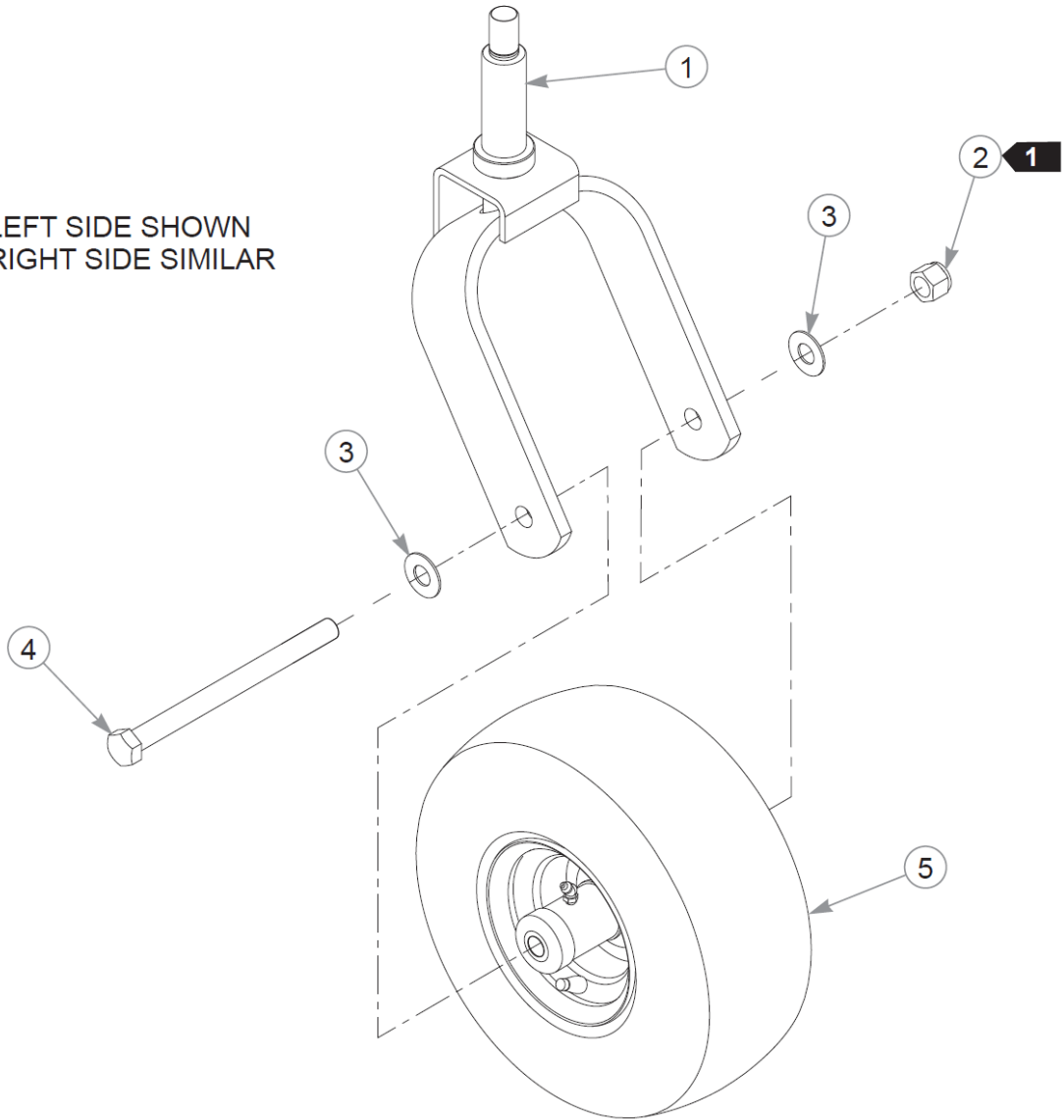
Item	Part No.	Qty	Name
1	603928	2	TIR/WHL 26X12.00-12 SLV
2	061077	10	WHEEL NUT
3	606722	2	DUST CAP
4	606721	2	NT 1.00-8 HX ZY NL
5	606720	6	CW 1.00 X 2.00 X .13
6	606717	4	BEARING, TAPERED ROLLER
7	606716	4	RACE, TAPERED ROLLER
8	606817	2	GREASE PLUG
9	606718	2	SEAL, 2.063 X 3.00
10		2	REFER TO "FRONT WHEEL ASSEMBLY BREAKDOWN"
11	068239	2	CS .500-13X4.500HXG5
12	767962	4	FW .531 x 1.063 x .175
13	602345	2	SPACER, ANTI-SCALP 3.22
14	602263	2	WHEEL, ANTI-SCALP
15	008193	2	NT .500-13HXG5

Comments for Page: Wheels & Tires

1. Torque to 88–102 N•m.



LEFT SIDE SHOWN  
RIGHT SIDE SIMILAR



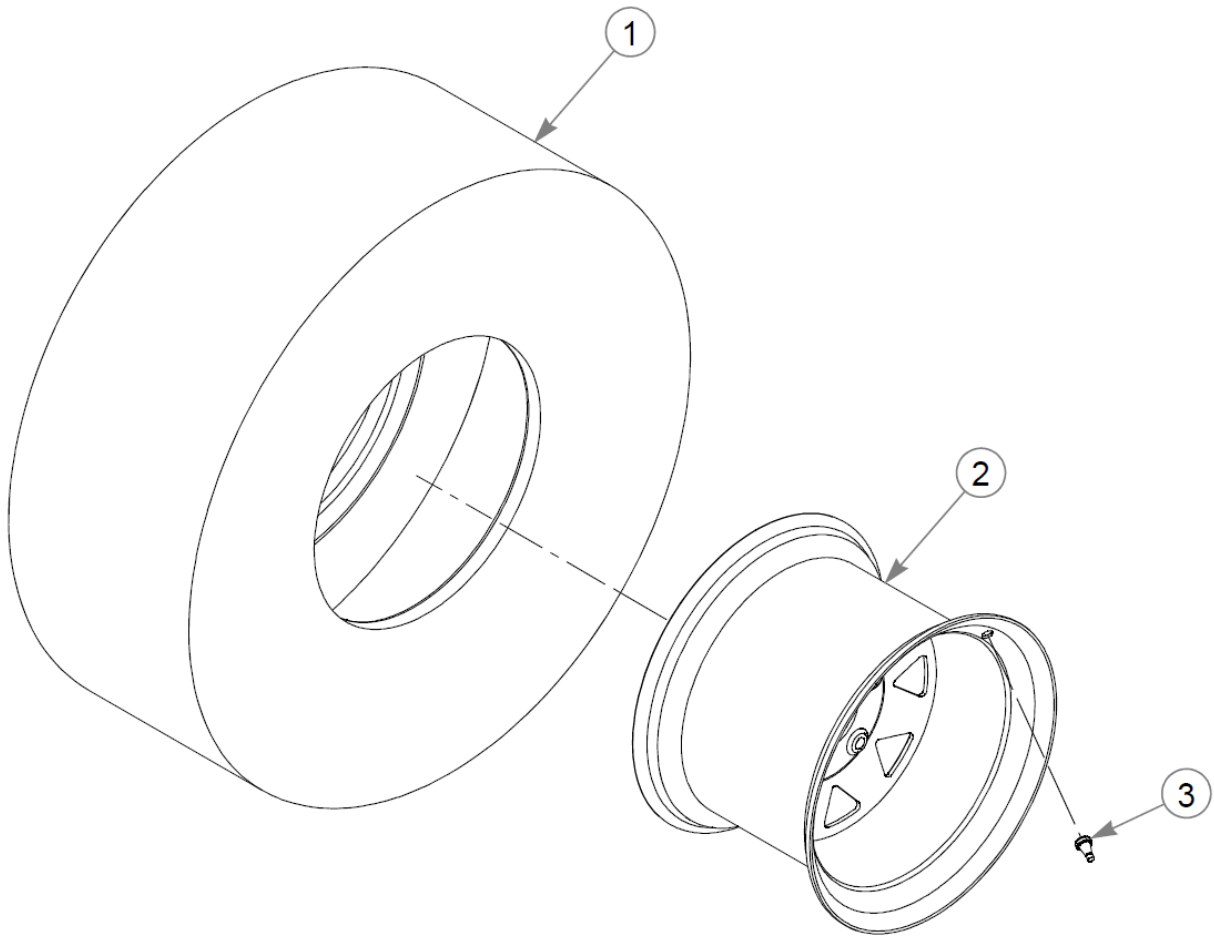


## Front Wheel Assembly Breakdown

Item	Part No.	Qty	Name
1	123647-1	1	W/A, CASTER FORK
2	061101	1	NT .750-10 HX ZY NL GR B
3	025296	2	FW .760X1.63X0.08 ZY
4	041475	1	CS .750-10X9.50 HX G5 ZY
5	606746	1	TIR/WHL 15X6.00-6 SLV
6	606751	1	WHL 6X4.50 SLV
7	606815	2	DUST CAP, 0.752 ID
8	606778	2	SPACER, 0.531
9	606780	2	SEAL
10	606753	2	BEARING, TAPERED ROLLER
11	606126	1	GREASE FITTING, M8X1.0
12	019521	1	TIRE VALVE TR-412 GOODY
13	791913	1	TIR 15X6.00-6 B8R SMTH

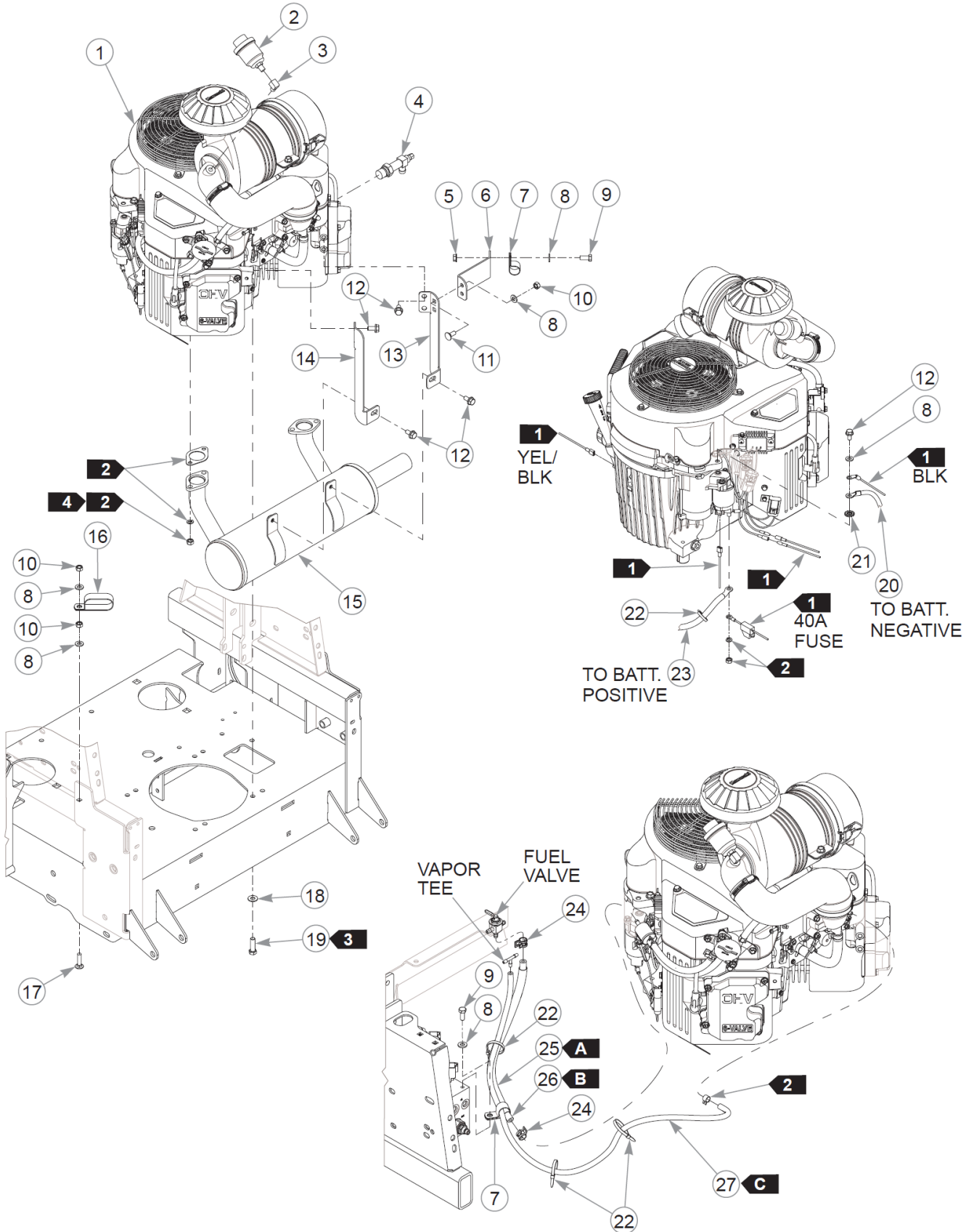
Comments for Page: Front Wheel Assembly Breakdown

1. Tighten, then back off the nut until the wheel spins freely.
2. Refer to the General Service Manual for wheel bearing service procedures.



## Drive Wheel Breakdown

Item	Part No.	Qty	Name
1	603775	1	TIR 26X12.00-12 B6R GRMR
2	604367	1	WHEEL ASSY, 12 X 10.50
3	019521	1	TIRE VALVE TR-412 GOODY



# Engine & Muffler

Item	Part No.	Qty	Name
1		1	ENGINE, KAW FX1000V
2	788943	1	AIR FILTER INDICATOR
3	601216	1	FTG, ELBOW, STREET
4	796524	1	VALVE,OIL DRAIN M20x2.5
5	016832	1	NT .312-18FLKG5
6	606205	1	BRACKET, THROTTLE WIRE
7	043570	2	CLIP - HOSE - SINGLE(FS)
8	768523	7	FW 0.343SAE
9	034280	2	CS .312-18X0.750HXG5
10	034272	4	NT .312-18HXG5
11	016253	2	CB .312-18X .750 FUL ZN
12	720516	7	CS M8-1.25X16HX FL10.9
13	122504	1	BRACKET, MUFFLER RT
14	122505	1	BRACKET, MUFFLER LFT
15	606040	1	MUFFLER, FX1000V
16	045088	1	HOSE CLAMP 1" (FS)
17	602827	1	CB .312-18X 1.250 ZNYC
18	767954	4	FW 0.379X.82X.06 HD ZY
19	602580	4	CS .375-16X1.25HXG8ZYP85
20	606440	1	BATTERY CABLE, NEGATIVE
21	029876	1	LW .312 INTEXT ZY
22	000331	4	WIRE TIE, SMALL/SHORT
23	606439	1	BATTERY CABLE, POSITIVE
24	000323	2	CLIP, HOSE CLAMP
25	605215	41	FUEL LINE THERMAL SHIELD

Comments for Part Num. 605215

Sold by the foot.

26	015818	43	FUEL LINE, 1/4"
----	--------	----	-----------------

Comments for Part Num. 015818

Sold by the foot.

27	603326	99	VAPOR LINE, 3/16"
----	--------	----	-------------------

Comments for Part Num. 603326

Sold by the foot.

## Engine & Muffler

Comments for Page: Engine & Muffler

1. Part of the wire harness.
2. Supplied with the engine.
3. Torque to 60 N•m. Replace (do not reuse) the cap screw if it is removed or loosened. Use only hand tools to install this fastener.
4. Torque to 23 N•m.

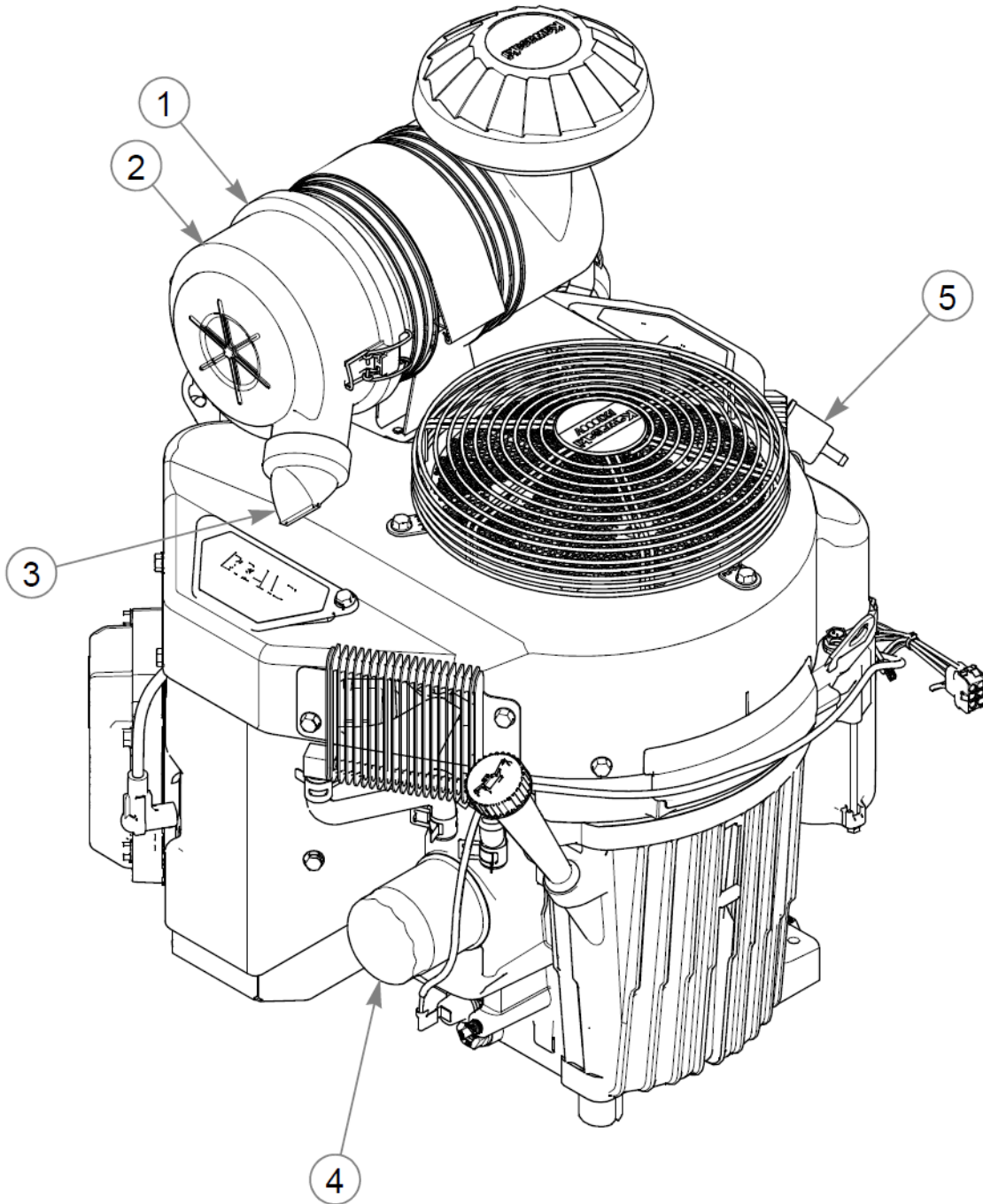
### FUEL & VAPOR LINE LENGTHS

A: 41 cm FUEL LINE THERMAL SHIELD

B: 43 cm VALVE TO ENGINE (FUEL)

C: 99 cm TEE TO ENGINE (VAPOR)

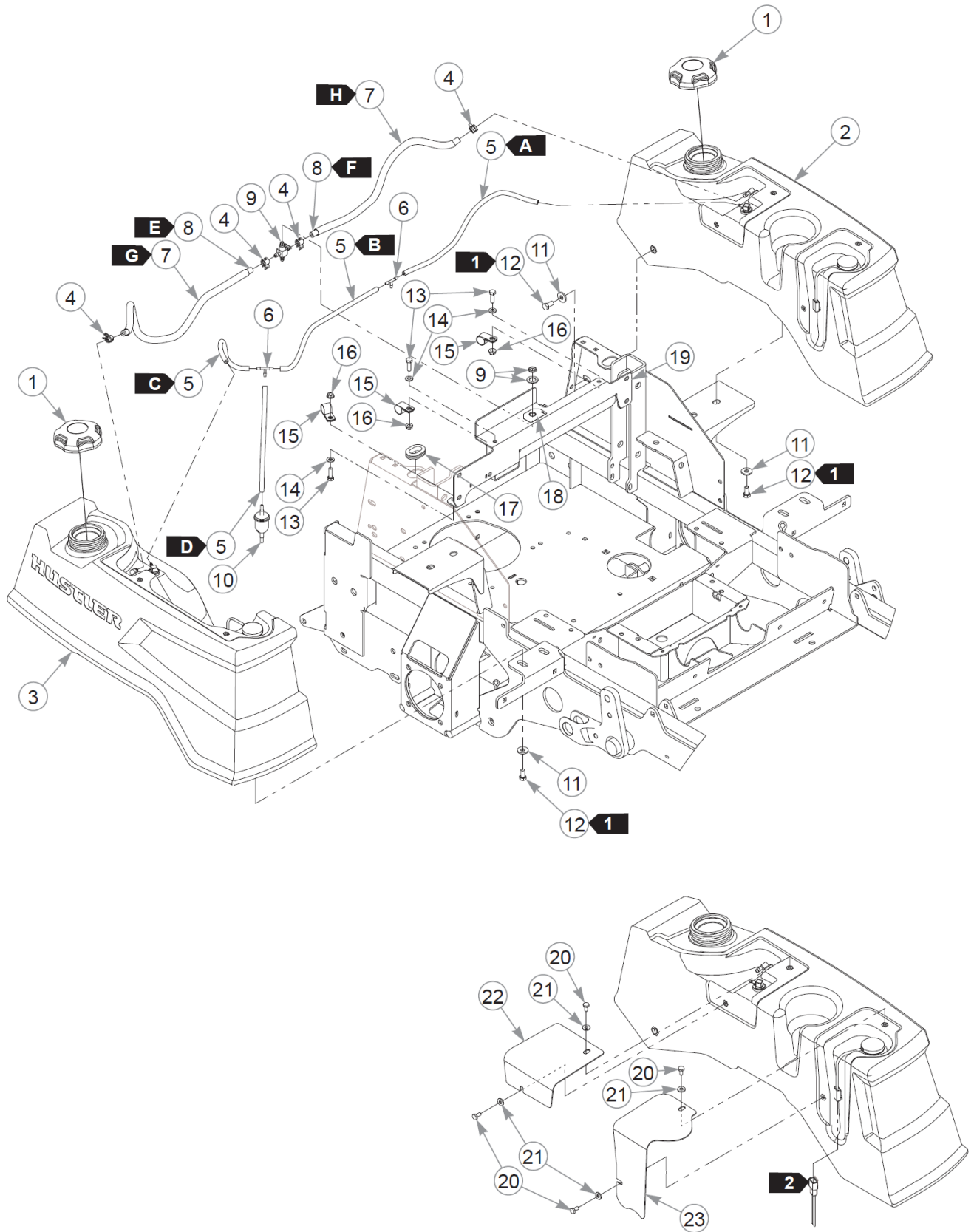
This page intentionally left blank





## Engine Service Parts

Item	Part No.	Qty	Name
1	785261	1	AIR FILTER - MAIN
2	785279	1	AIR FILTER - SAFETY
3	763318	1	VALVE, VACUATOR (SERV P
4	603138	1	ENGINE OIL FILTER
5	068478	1	FUEL FILTER - IN LINE



# Fuel System

Item	Part No.	Qty	Name
1	603807	2	CAP, 3.5" RATCHETING GAS
2	606434	1	TANK, FENDER LH ASSY
3	606433	1	TANK, FENDER RH ASSY
4	000323	4	CLIP, HOSE CLAMP
5	603326	142 cm	VAPOR LINE, 3/16"
<p>Comments for Part Num. 603326</p> <p>Sold by the foot.</p>			
6	604281	2	TEE, 3/16" PLASTIC
7	605215	114 cm	FUEL LINE THERMAL SHIELD
<p>Comments for Part Num. 605215</p> <p>Sold by the foot.</p>			
8	015818	117 cm	FUEL LINE, 1/4"
<p>Comments for Part Num. 015818</p> <p>Sold by the foot.</p>			
9	745059	1	FUEL VALVE 3-WAY
10	604323	1	FILTER, VAPOR SYSTEM
11	712919	10	FW 0.406X1.00X.12 HD ZY
12	055822	10	CS .375-16X0.75 HX G5 ZY
13	036236	3	CS .312-18X1.000HXG5
14	768523	3	FW 0.343SAE
15	043570	3	CLIP - HOSE - SINGLE(FS)
16	016832	3	NT .312-18FLKG5
17	706531	1	GM 1.12X1.75X1.37X.12
18	791848	1	DECAL, FUEL INDICATOR- M
19	125855-1	1	SUPPORT WA - FUEL LINE
20	055947	4	CS .250-20X0.50 HX G5 ZY
21	768515	4	FW 0.281SAE
22	123182	1	COVER, FUEL LINES
23	123181	1	COVER, FUEL SENDER
24	000331	1	WIRE TIE, SMALL/SHORT

Comments for Page: Fuel System

1. Torque to 22 N•m.

## Fuel System

2. Part of the wire harness.

### FUEL & VAPOR LINE LENGTHS

A: 46 cm LEFT TANK TO TEE (VAPOR)

B: 33 cm TEE TO TEE (VAPOR)

C: 33 cm RIGHT TANK TO TEE (VAPOR)

D: 30 cm TEE TO FILTER (VAPOR)

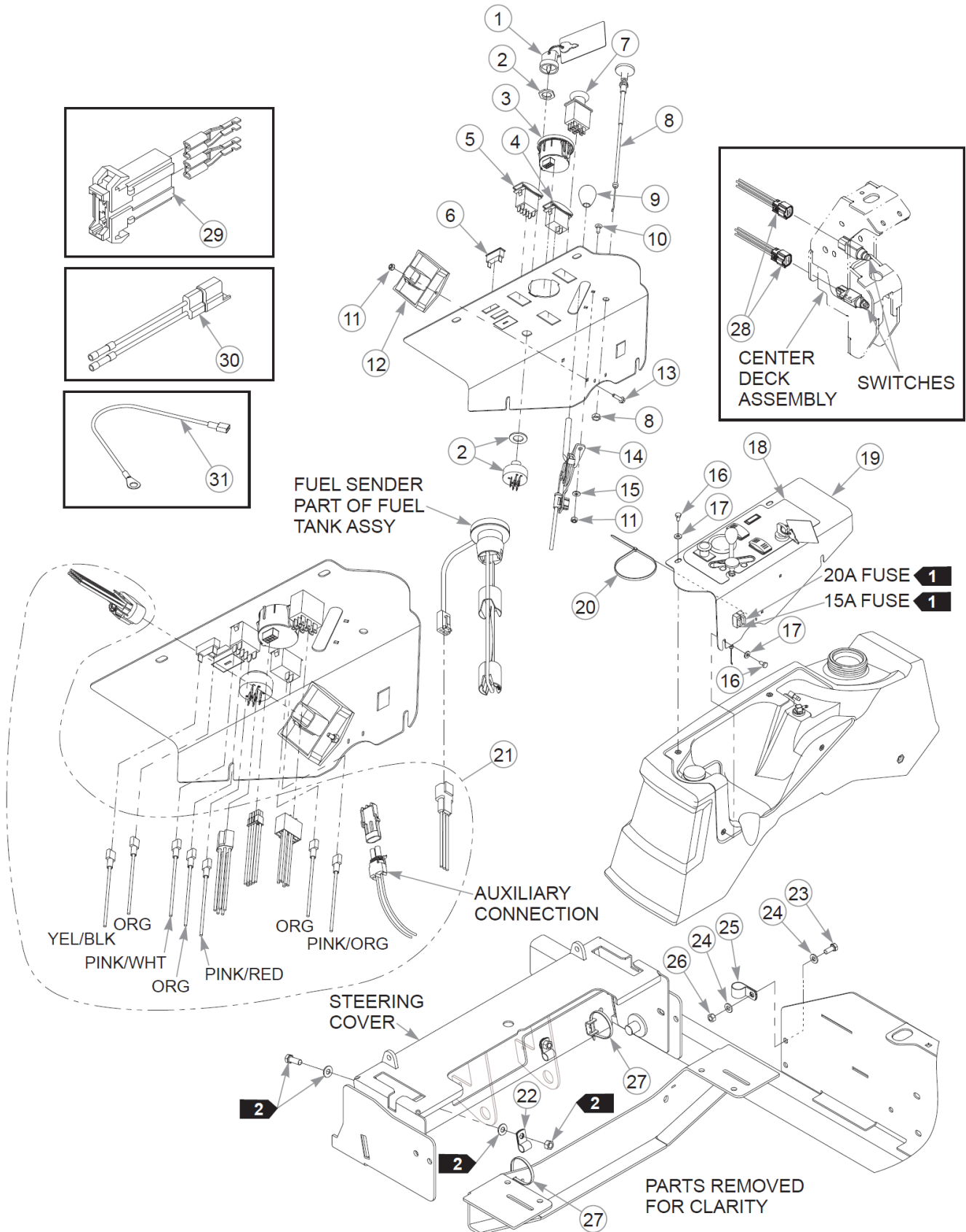
E: 65 cm RIGHT TANK TO VALVE (FUEL)

F: 52 cm LEFT TANK TO VALVE (FUEL)

G: 64 cm RIGHT TANK TO VALVE (THERMAL SHIELD)

H: 51 cm LEFT TANK TO VALVE (THERMAL SHIELD)

This page intentionally left blank



Item	Part No.	Qty	Name
1	785808	1	KEY ASSEMBLY
2	045898	1	IGNITION SWITCH
3	606068	1	GAUGE, FUEL/HOURMETER
4	604885	1	SWITCH, ROCKER
5	797308	1	SWITCH, ROCKER SPDT
6	712257	1	INDICATOR LIGHT, RED(FS)
7	776476	1	SWITCH, PTO 6201-321
8	601095	1	CABLE, CHOKE
9	603523	1	KNOB
10	601098	2	CB 10-24 X .500 ZYNC
11	059832	4	NT #10-24 HX NL ZN
12	604373	1	RELAY CONTROL MODULE
13	063198	2	CS #10-24X0.750FLKG5
14	603409	1	CABLE, THRTL 60"
15	704932	2	FW 0.219X.50X.05 ZY
16	055947	4	CS .250-20X0.50 HX G5 ZY
17	768515	4	FW 0.281SAE
18	607687	1	DECAL, INSTR PANEL
19	555242	1	SVC, INSTR PANEL
20	000430	1	WIRE TIE, SMALL/LONG
21	604093	1	WIRE HARNESS, S104
22	000398	2	CLAMP - 50 CNT BAGS
23	034280	1	CS .312-18X0.750HXG5
24	768523	2	FW 0.343SAE
25	043570	1	CLIP - HOSE - SINGLE(FS)
26	034272	1	NT .312-18HXG5
27	000331	9	WIRE TIE, SMALL/SHORT
28	604085	1	WIRE HARNESS, WING
29	601047	1	HOLDER, FUSE
30	114052	1	KIT, CLUTCH CONN. REP.
31	604430	1	WIRE HARNESS

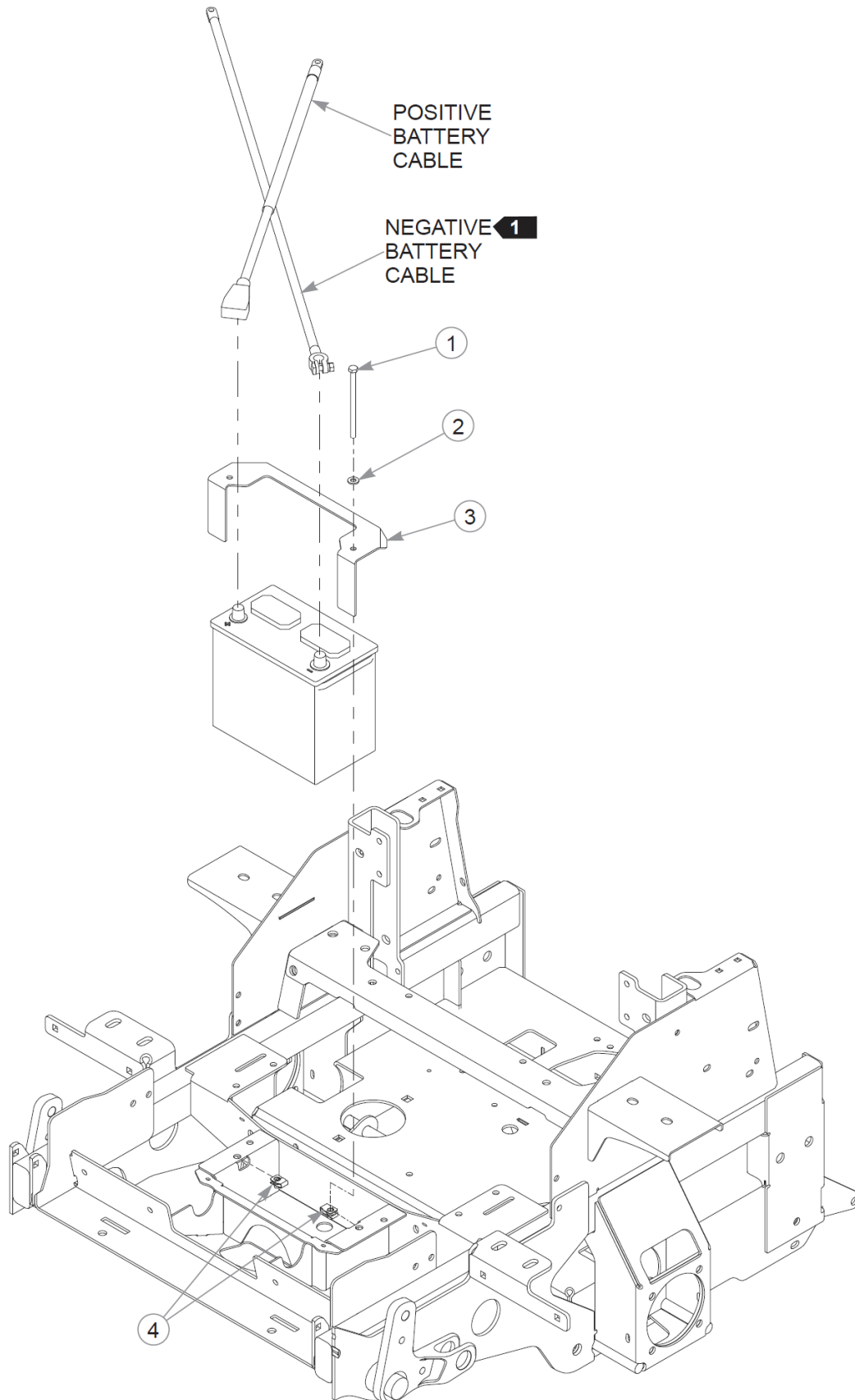
Comments for Page: Instrument Panel & Wire Harness

1. Part of the wire harness.
2. Part of the steering assembly.

3. The instrument panel includes the decal.



This page intentionally left blank

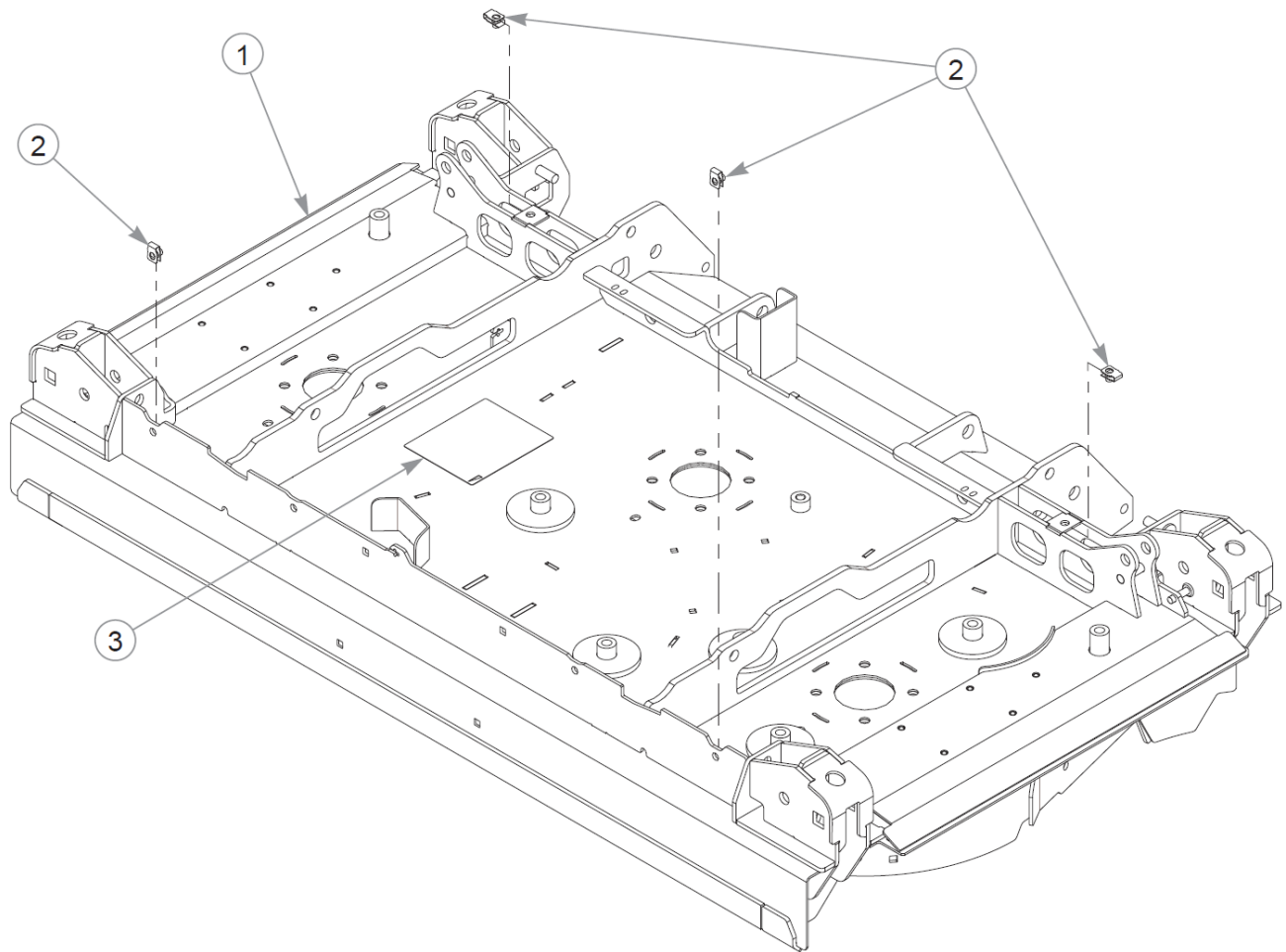


## Battery

Item	Part No.	Qty	Name
1	050823	2	CS .312-18X5.000HXG5
2	768523	2	FW 0.343SAE
3	124387-1	1	BATTERY STRAP, SZ GRP 45
4	601069	2	CN .312-18x.200 MAX THK
5	000331	3	WIRE TIE, SMALL/SHORT

Comments for Page: Battery

1. When performing service on the mower, disconnect the negative battery cable and do not reconnect it to the battery until ready to start the engine.

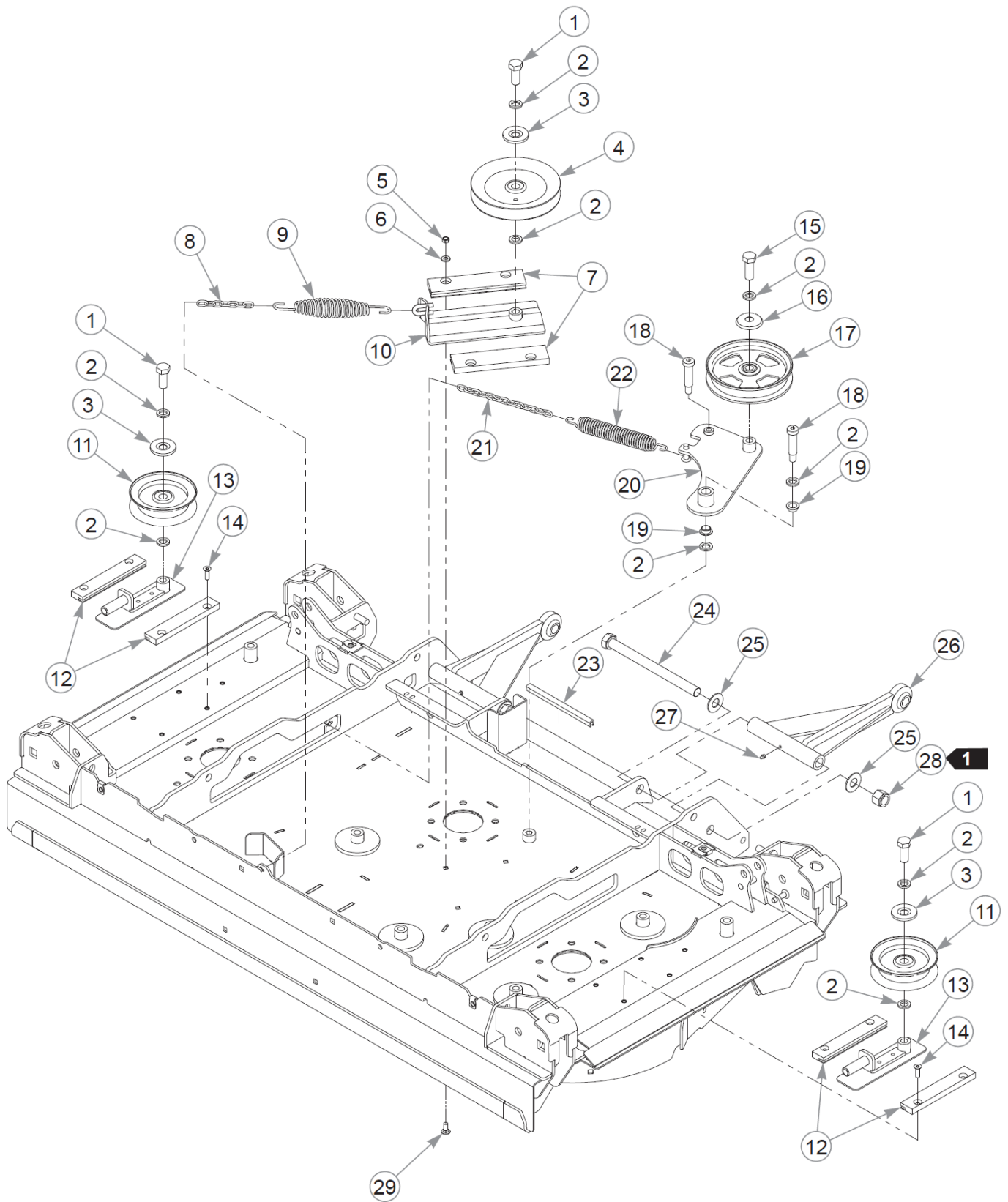


## Center Service Deck

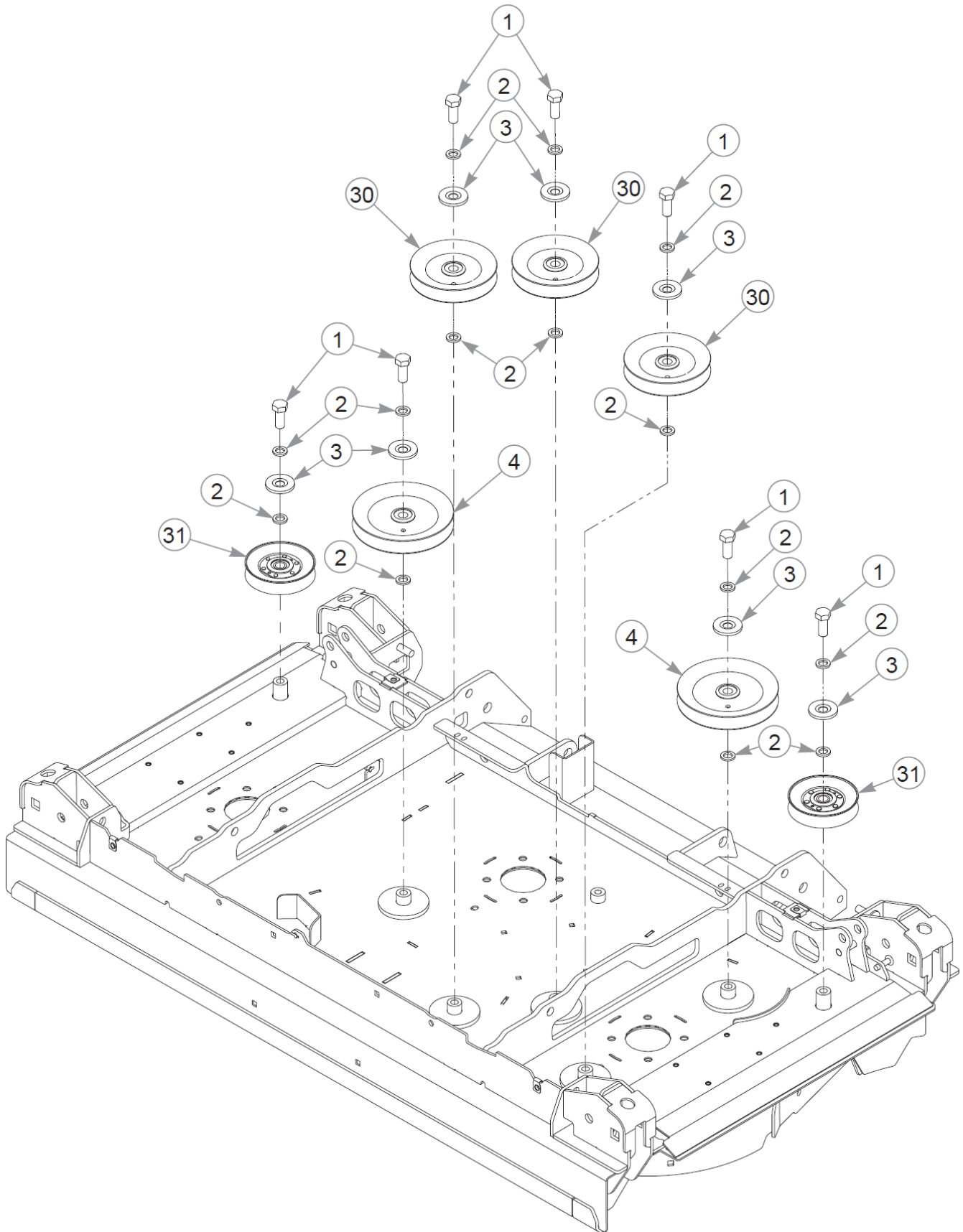
Item	Part No.	Qty	Name
1	555190	1	SVC, DECK DECAL
2	601069	4	CN .312-18x.200 MAX THK
3	604276	1	DECAL, BELT ROUTING

Comments for Page: Center Service Deck

1. The deck includes the decal and hardware.

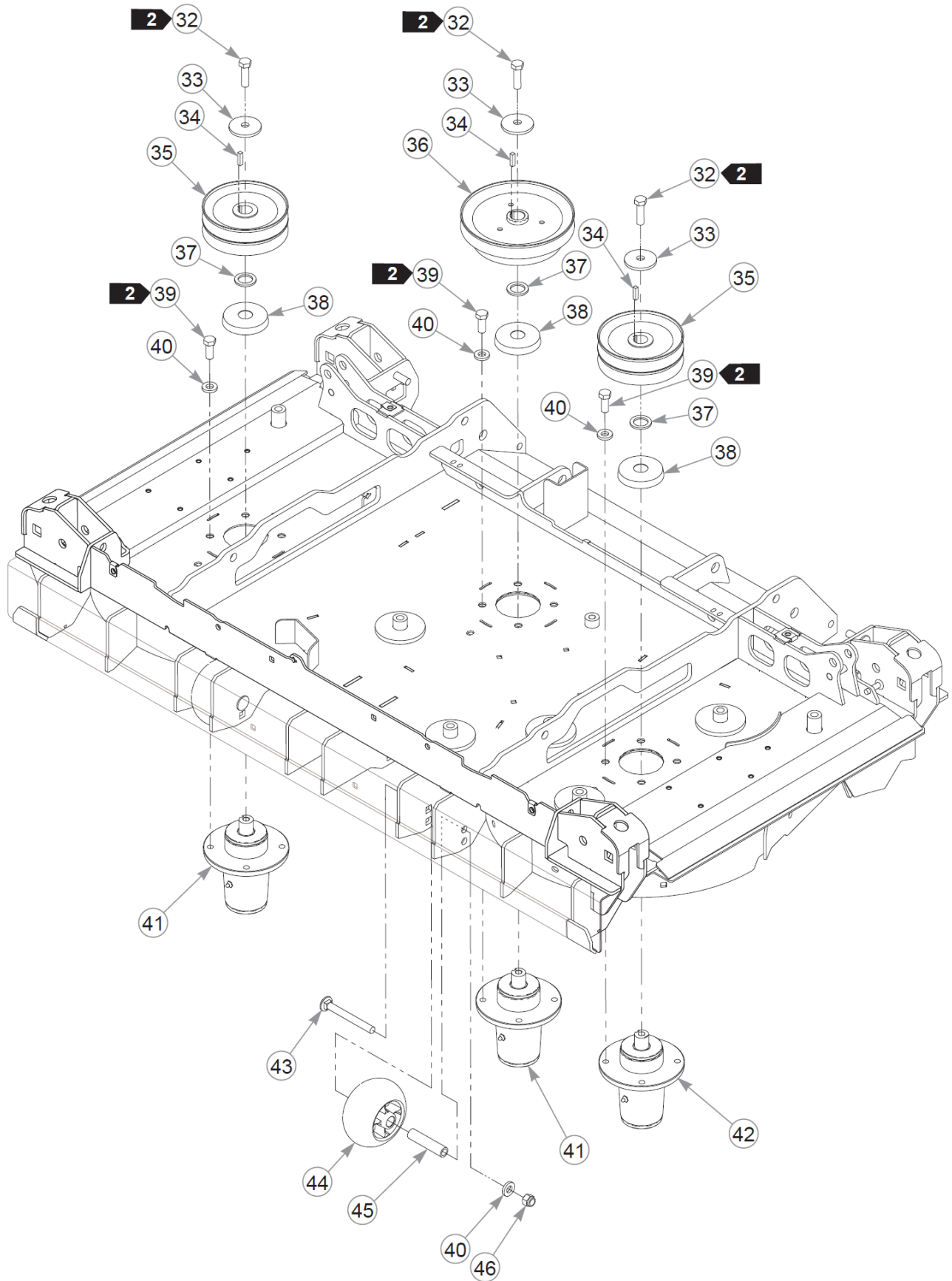


Item	Part No.	Qty	Name
1	794446	10	CS .625-11X1.500HXG5
2	028118	23	FW 0.625X1.00X.13 ZY
3	603057	10	DUST SHIELD W/OFFSET
4	796714	3	PULLEY, 6" HB IDLER RD
5	604251	4	NT .312-18 HXNL JAM G2ZN
6	768523	4	FW 0.343SAE
7	603750	2	IDLER SLIDE, SHORT
8	364315	1	CHAIN, 7 LINK
9	781302	1	IDLER SPRING
10	350884	1	SLIDE, DECK IDLER
11	603784	2	IDLER, FLAT 4.0" DEEP
12	601619	4	IDLER SLIDE UHMW RT & LT
13	117576	2	IDLER SLED W/A, WING
14	604086	8	CS .312-18X1.00 FLTSH ZN
15	025007	1	CS .62511X1.750HXG5
16	602935	1	DUST SHIELD, IDLER SM
17	602821	1	IDLER, 6.0" COMMERCIAL
18	606149	2	SB .625 X 2.00 SH.50-13
19	602539	2	BUSHING, .625 I.D.
20	125961-4	1	IDLER ARM, DRIVE BELT
21	259812	1	CHAIN, 13 LINK
22	607616	1	SPRING, DECK IDLER
23	606351	1	J-LEG, UHMW, .25"
24	041475	2	CS .750-10X9.50 HX G5 ZY
25	025296	4	FW .760X1.63X0.08 ZY
26	116105	2	DECK PUSHER W/A
27	015495	2	GREASE FITTING STRAIGHT
28	061101	2	NT .750-10 HX ZY NL GR B
29	016253	4	CB .312-18X .750 FUL ZN
30	602672	3	PULLEY, V-IDLER HBB 5.0"
31	605978	2	PULLEY, SPLIT IDLER
32	017616	3	CS .500-13X1.750HXG5
33	752386	3	CW .515X 2.25X .204 BLK
34	212472	3	KEY 1/4 SQ X 1.00 LG(FS)
35	524785	2	PULLEY, (711499) PTED B
36	604036	1	PULLEY, DOUBLE DRIVE



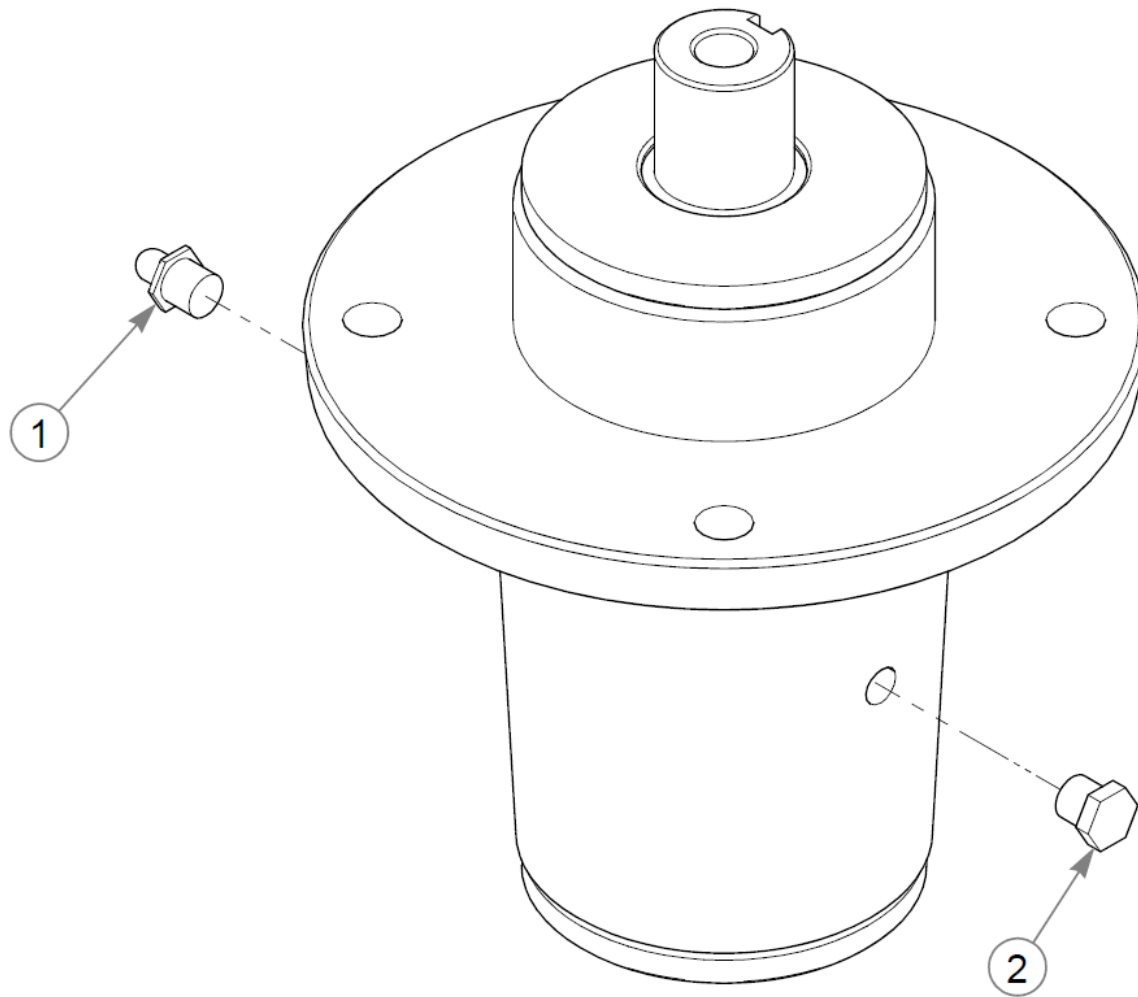


Item	Part No.	Qty	Name
37	045765	3	FW 1.030X1.50X.13 HD ZY
38	607409-4	3	DUST SHIELD
39	705954	12	CS .500-13X1.25 HX G5 ZY
40	767962	17	FW .531 x 1.063 x .175
41	607407	2	SPINDLE ASSY, DUCTILE
42	607408	1	SPINDLE ASSY, DUCTILE
43	602339	5	CB .50-13 X 4.50 STD ZN
44	602263	5	WHEEL, ANTI-SCALP
45	602345	5	SPACER, ANTI-SCALP 3.22
46	781567	5	NT .500-13NLG5

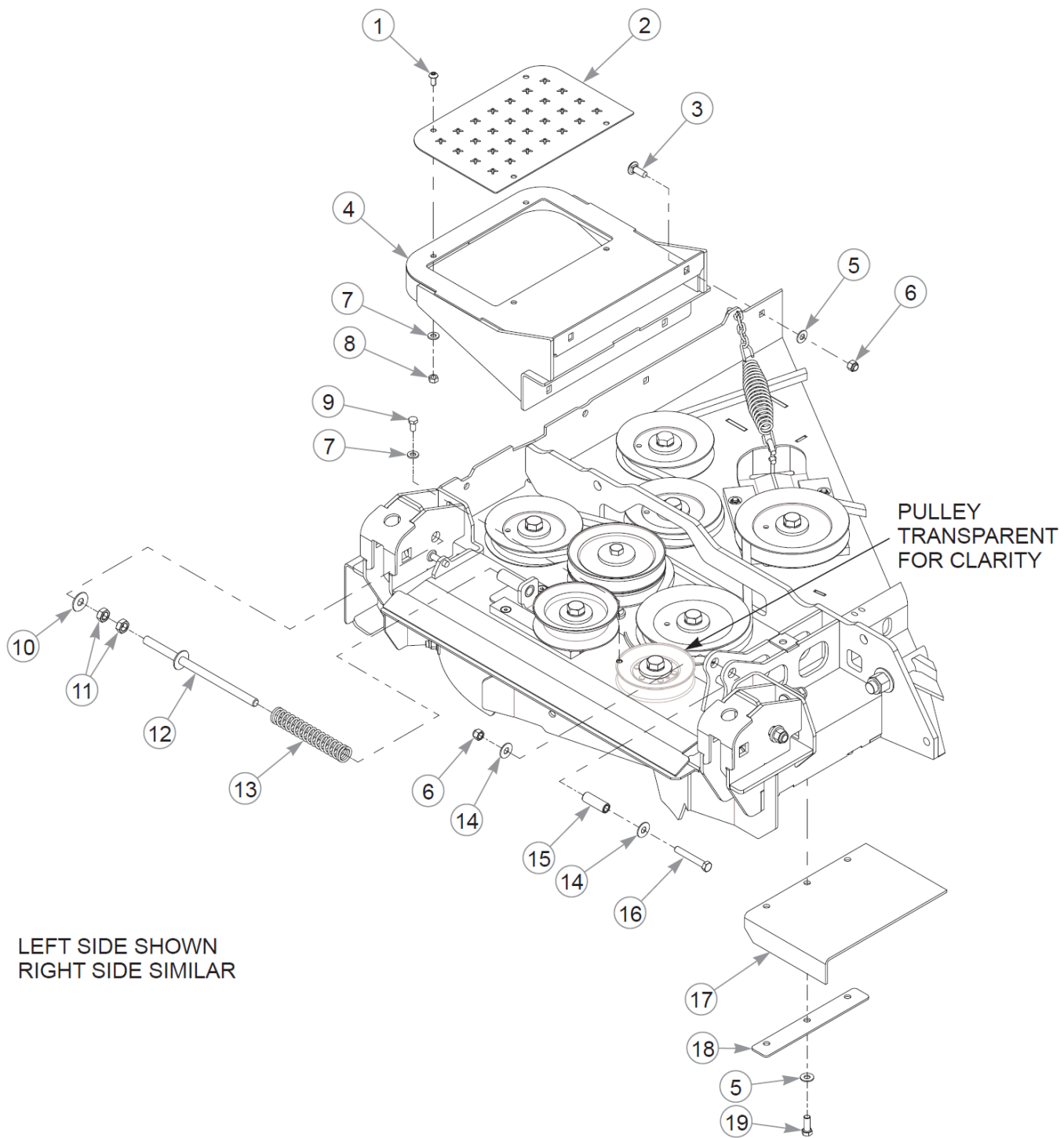


Comments for Page: Center Deck Idlers, Idler Slides, Pulleys & Spindles (Multi-Page)

1. Do not torque; the pusher must rotate freely.
2. Torque to 88–102 N•m.



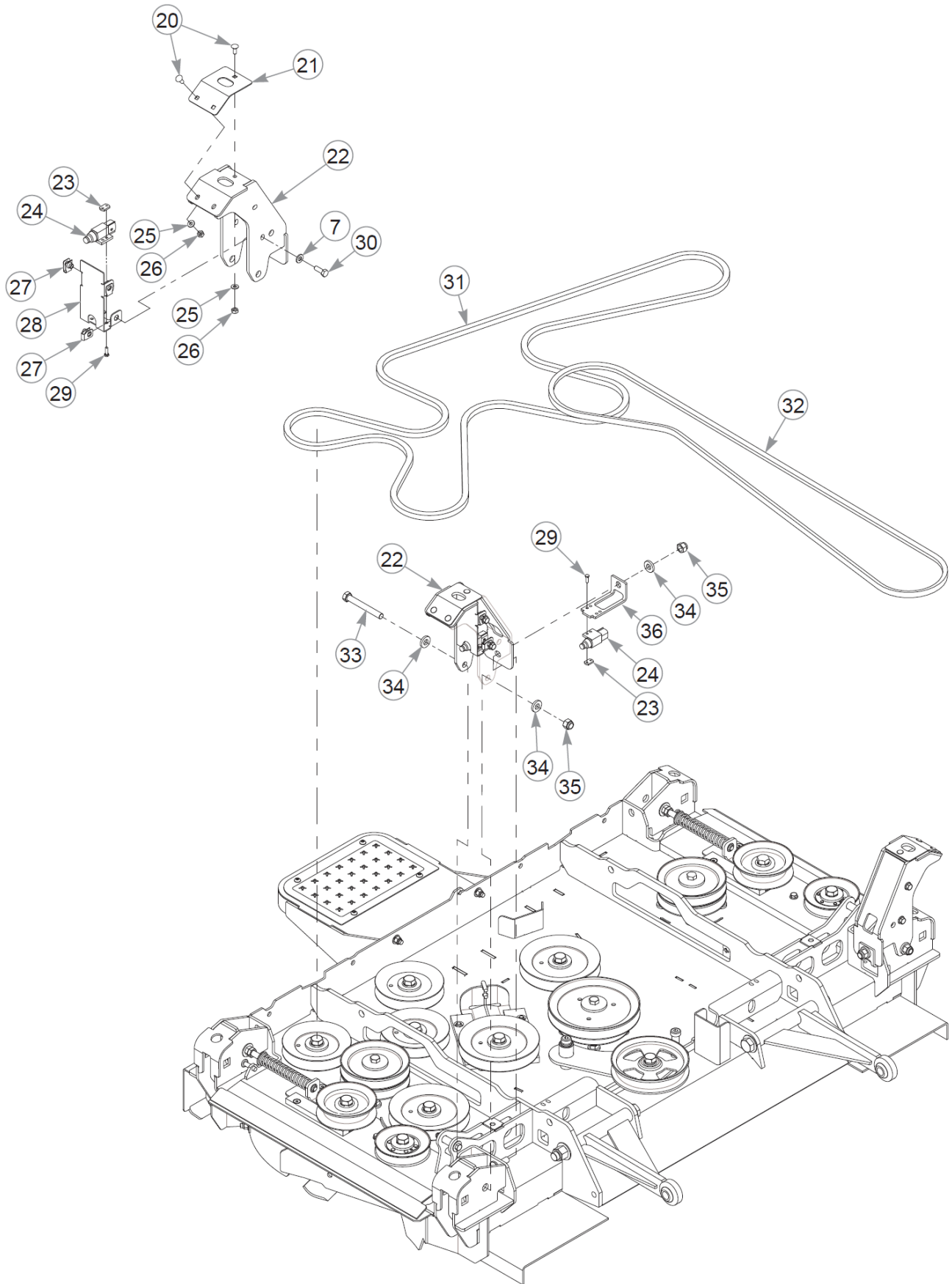
Item	Part No.	Qty	Name
1	607477	1	GREASE ZERK
2	607478	1	RELIEF FITTING



## Center Deck Belt, Blades &amp; Step (Multi-Page)

Super 104 Parts Manual - 939652CE - HTSWSR104KAWFX1000VC

Item	Part No.	Qty	Name
1	603022	4	CS .312-18X.625 BH ZN
2	116630	1	PLATE, STAMPED TREAD
3	025395	8	CB .375-16X 1.00 G5 ZNY
4	116625	1	STEP W/A
5	767954	15	FW 0.379X.82X.06 HD ZY
6	086660	11	NT .375-16NLG8
7	768523	14	FW 0.343SAE
8	034272	4	NT .312-18HXG5
9	064006	2	CS .312-18X0.625HXG5
10	704759	2	FW 0.500X1.25X.08 ZY
11	053199	4	NT .500-13JAMG5
12	115245	2	ROD W/A, TENSIONER
13	603787	2	SPRING, COMPRESSION
14	076422	4	FW 0.406X1.00X.06 ZY
15	604290	2	SPACER, CYLINDER
16	016428	2	CS .375-16X2.500HXG5
17	607681	2	RUBBER FLAP, REAR
18	125844-1	2	CLAMP PLATE, REAR FLAP
19	036244	6	CS .375-16X1.00 HX G5 ZY
20	601503	6	CB .250-20 X .625 ZNYC
21	116613	2	PLATE, LATCH STRIKER
22	116575	2	TOWER W/A, LATCH
23	601822	4	NUT PLATE, .420 CENTERS
24	602538	4	SWITCH PLUNGER, NC/NO
25	017079	6	FW .250SAE
26	024927	6	NT .250-20HXG5
27	601069	8	CN .312-18x.200 MAX THK
28	116632	2	BRKT, LATCH SWITCH
29	714998	8	MS#10-24X0.625HX
30	064014	8	CS .312-18X0.875HXG5
31	084178	1	DECK BELT
32	606334	1	BELT, B SEC 101.25" EL
33	089938	2	CS .500-13X4.000HXG5
34	767962	6	FW .531 x 1.063 x .175
35	781567	4	NT .500-13NLG5
36	117890	2	BRACKET, SWITCH MOUNT

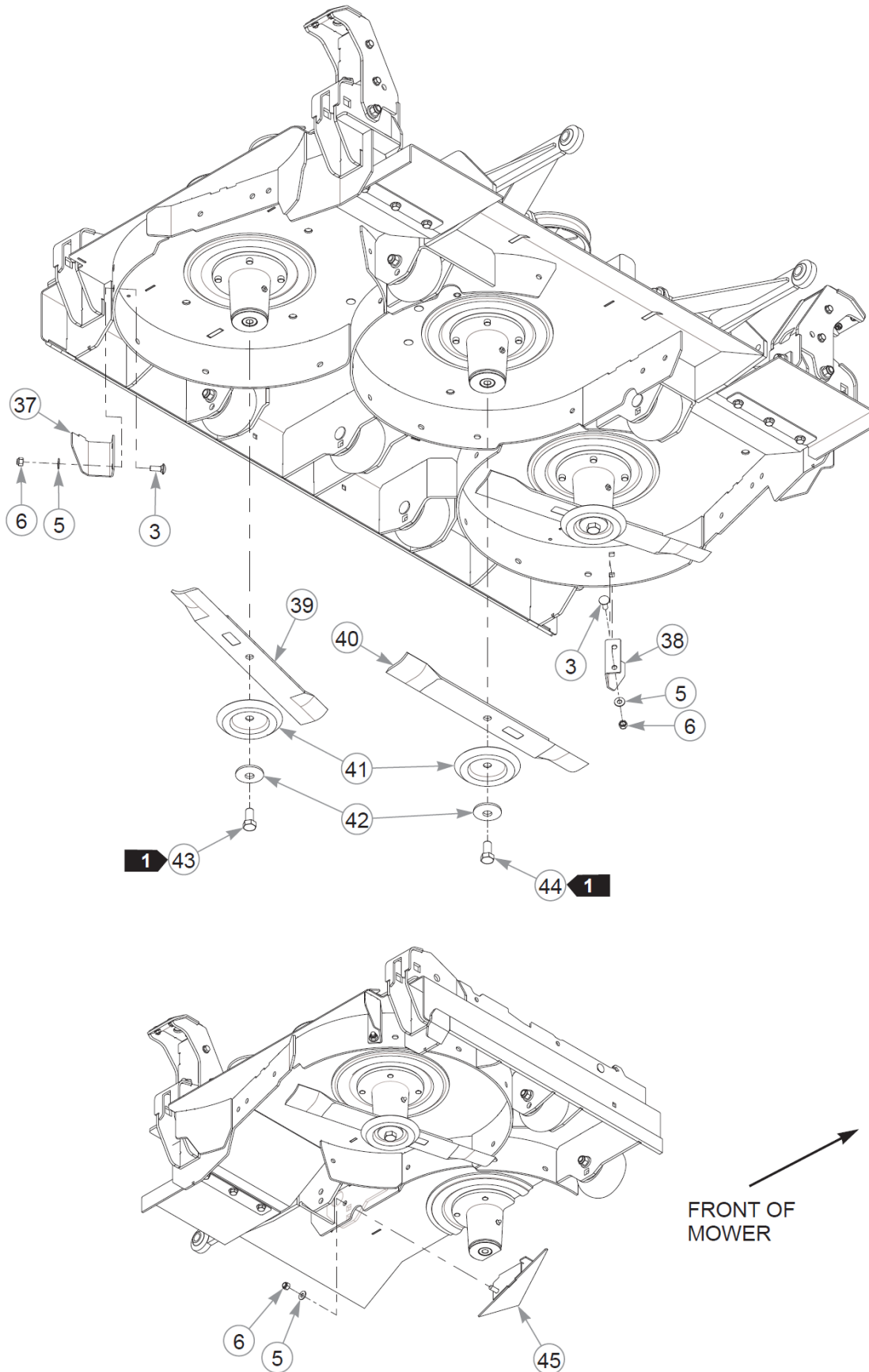




## Center Deck Belt, Blades &amp; Step (Multi-Page)

Super 104 Parts Manual - 939652CE - HTSWSR104KAWFX1000VC

Item	Part No.	Qty	Name
37	116533	1	DEFLECTOR, FRONT LH
38	116532	1	DEFLECTOR, FRONT RH
39	795633	1	BLADE, F20.50"-L-F-CCW
Not Shown	601928	1	BLADE, 20.5"GAT-F-CCW
Not Shown	604163	1	BLADE, 20.50-MUL-F-CCW
40	600901	2	BLADE, F20.50"-L-F-CW
Not Shown	794230	2	BLADE,20.50"GAT-F-CW
Not Shown	794214	2	BLADE,20.50"-MUL-F-CW
41	114988	3	SHIELD, BLADE BOLT
42	782474	3	CW .678 X 2.250 X .187
43	604383	1	CS .625-11X1.250 G5 LHT
44	781872	2	CS .625-11X1.250HXG5
45	125949-1	1	RAMP PNT, DISCHARGE CW

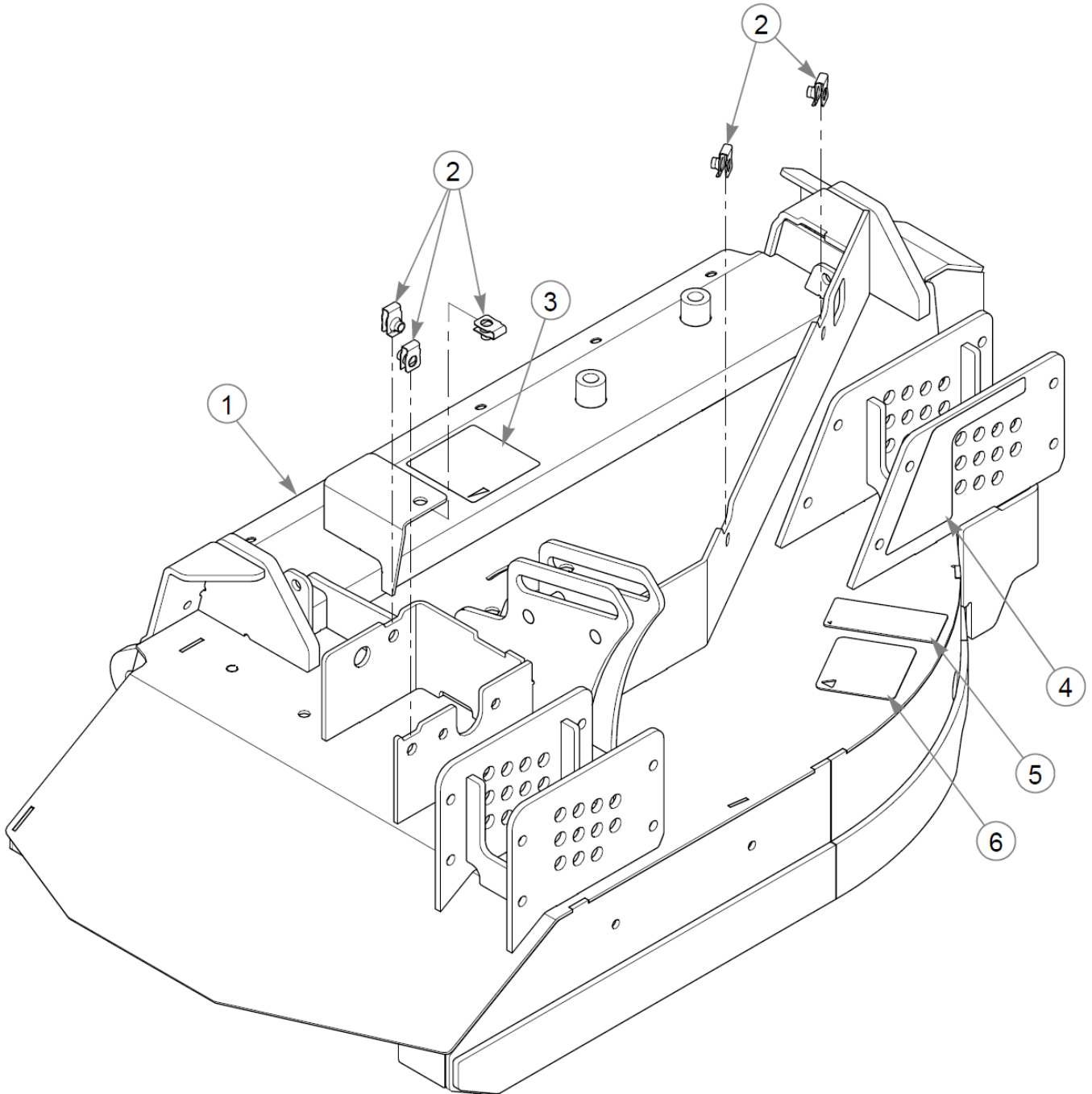


## Center Deck Belt, Blades & Step (Multi-Page)

Super 104 Parts Manual - 939652CE - HTSWSR104KAWFX1000VC

Comments for Page: Center Deck Belt, Blades & Step (Multi-Page)

1. Torque to 160 N•m.

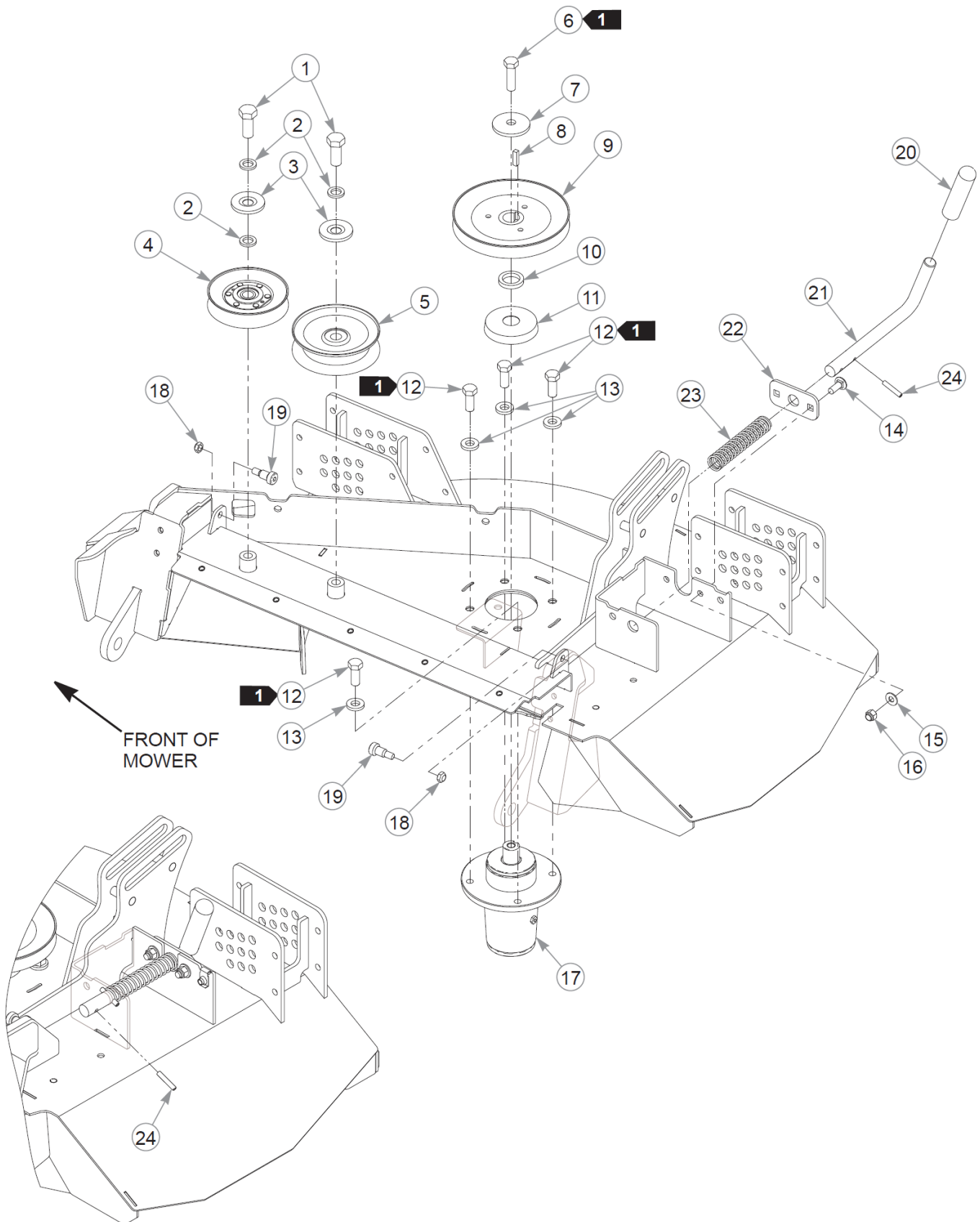


## Right Side Service Deck

Item	Part No.	Qty	Name
1	555428	1	SVC, DECK DECAL
2	601069	5	CN .312-18x.200 MAX THK
3	604277	1	DECAL, BELT ROUTING
4	607721	1	DECAL, WING HEIGHT
5	601892	1	DECAL, THROWN OBJECTS
6	601837	1	DECAL, DECK DANGERS

Comments for Page: Right Side Service Deck

1. The deck includes the decals and hardware.

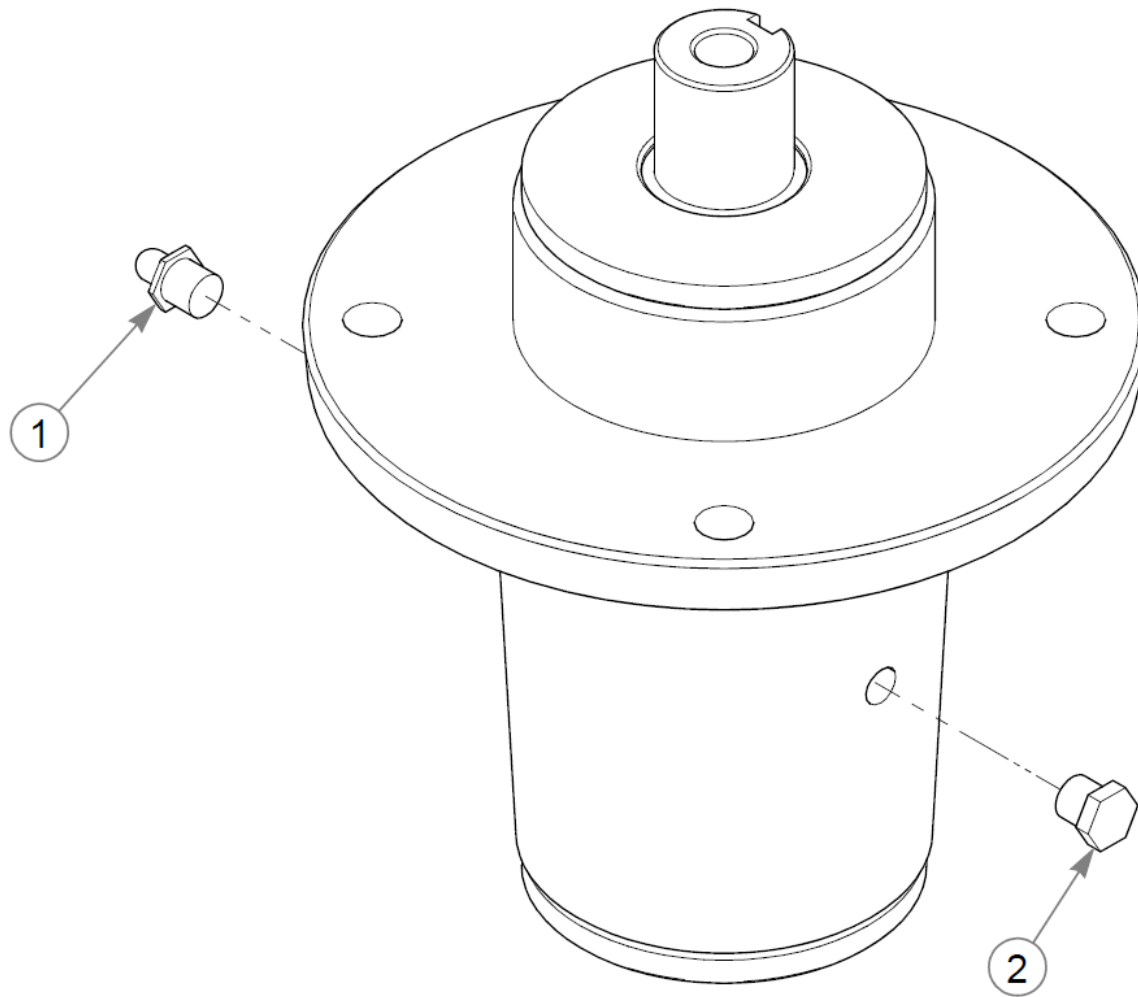


# Right Side Deck Pulleys & Spindles

Item	Part No.	Qty	Name
1	794446	2	CS .625-11X1.500HXG5
2	028118	3	FW 0.625X1.00X.13 ZY
3	603057	2	DUST SHIELD W/OFFSET
4	605978	1	PULLEY, SPLIT IDLER
5	603784	1	IDLER, FLAT 4.0" DEEP
6	017616	1	CS .500-13X1.750HXG5
7	752386	1	CW .515X 2.25X .204 BLK
8	212472	1	KEY 1/4 SQ X 1.00 LG(FS)
9	538850	1	PULLEY, DRIVE(723486) B
10	469924	1	GAGE WHEEL SPACER 1/4"
11	607409-4	1	DUST SHIELD
12	705954	4	CS .500-13X1.25 HX G5 ZY
13	767962	4	FW .531 x 1.063 x .175
14	025395	2	CB .375-16X 1.00 G5 ZNY
15	767954	2	FW 0.379X.82X.06 HD ZY
16	086660	2	NT .375-16NLG8
17	607407	1	SPINDLE ASSY, DUCTILE
18	603846	2	NT .375-16 HX NL JAM ZN
19	060541	2	SB0.500X0.625SH0.375-16
20	603964	1	GRIP, .75X4.00 BLACK
21	116573	1	PIN, LATCH
22	116574	1	PLATE, LATCH
23	603958	1	SPRING, COMPRESSION
24	005124	2	RP0.250X1.375 ZN

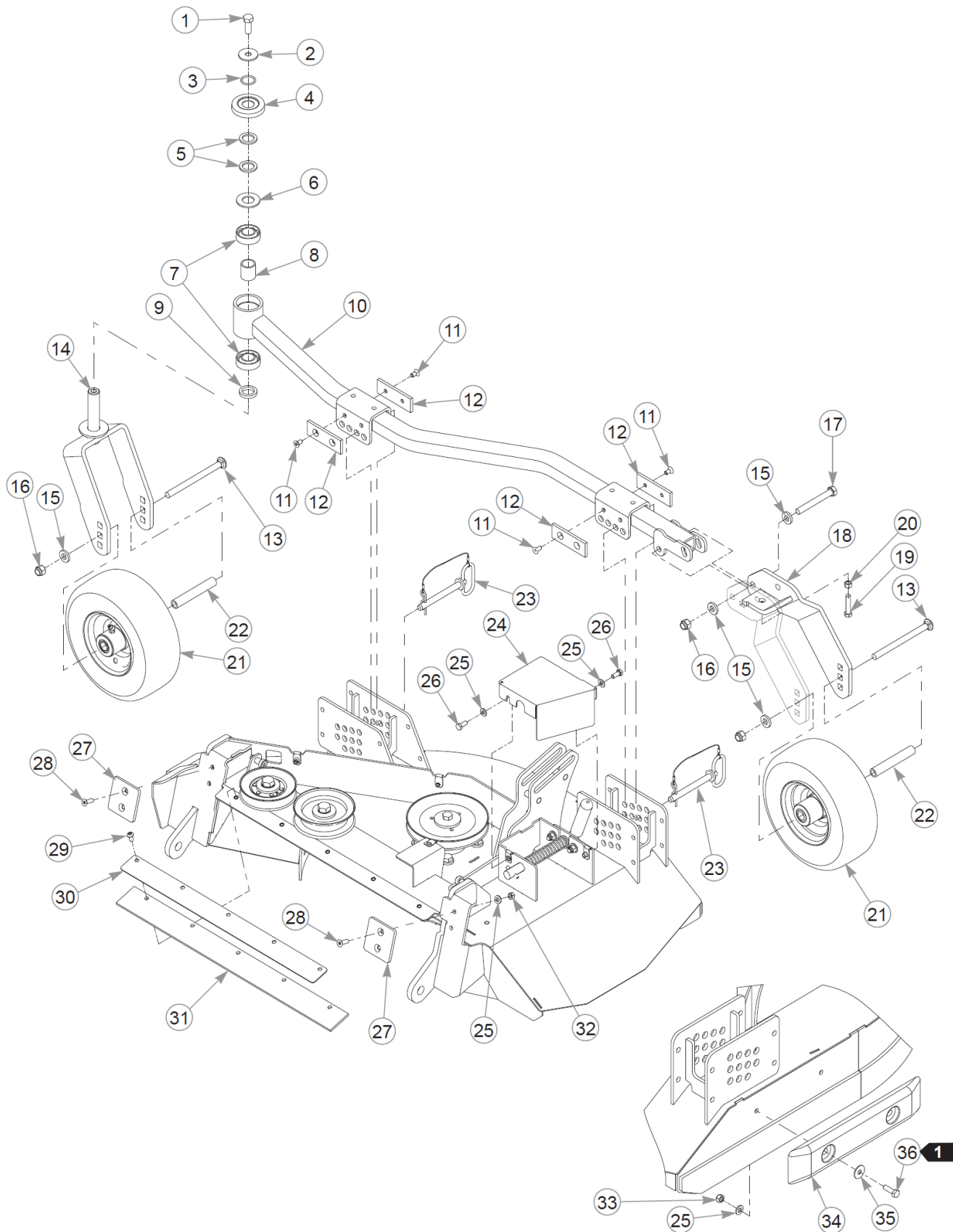
Comments for Page: Right Side Deck Pulleys & Spindles

1. Torque to 88-102 N-m.





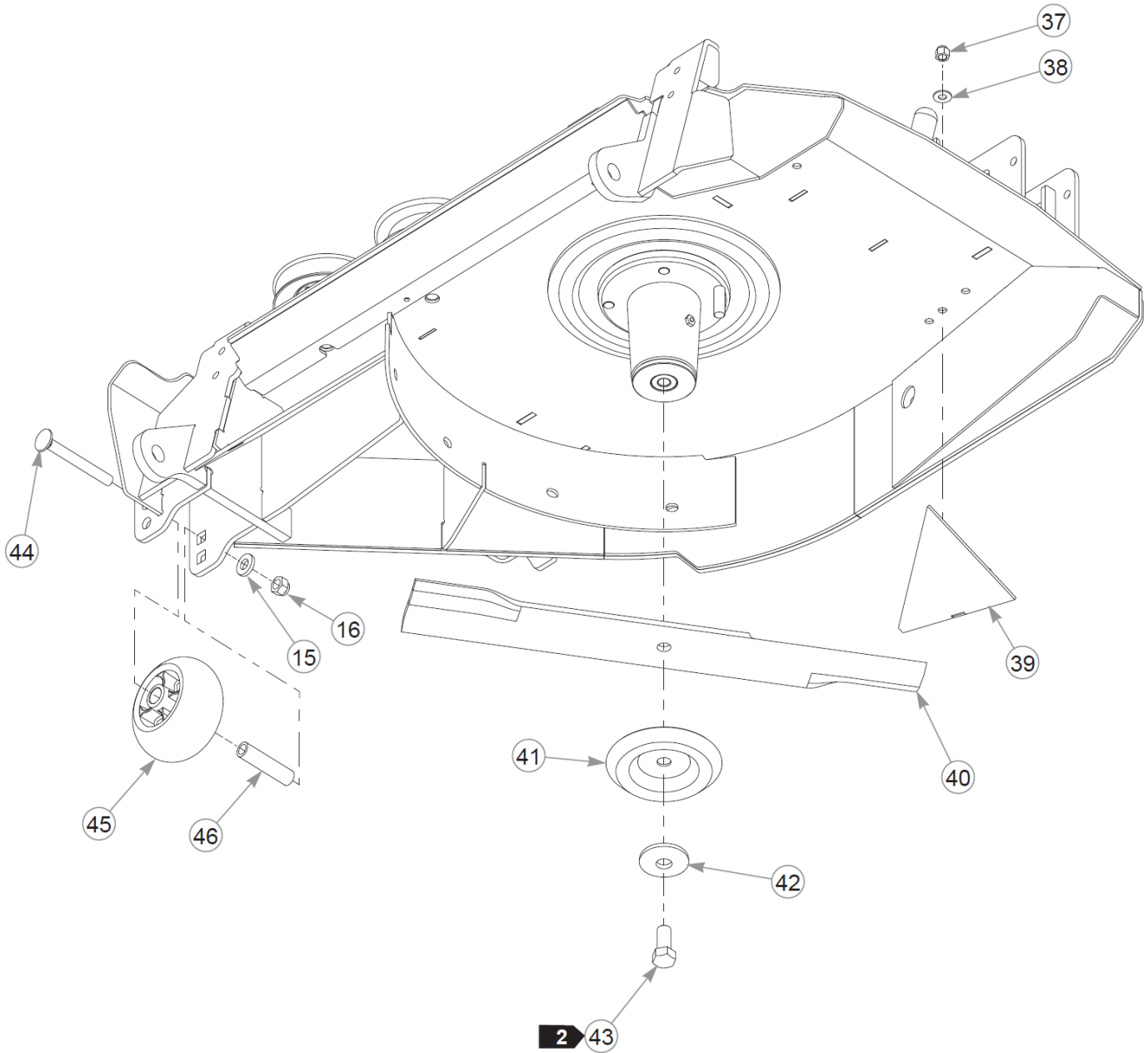
Item	Part No.	Qty	Name
1	607477	1	GREASE ZERK
2	607478	1	RELIEF FITTING



## Right Side Deck &amp; Blades (Multi-Page)

Super 104 Parts Manual - 939652CE - HTSWR104KAWFX1000VC

Item	Part No.	Qty	Name
1	705954	1	CS .500-13X1.25 HX G5 ZY
2	798603	1	FW .515X1.65X.12 HD ZY
3	601375	1	O-RING, SAE-14
4	603153	1	DUST CAP, SZ CASTER
5	045765	2	FW 1.030X1.50X.13 HD ZY
6	603164	1	BEARING DISC, FORK
7	784223	2	BEARING
8	784603	1	SPACER
9	469924	1	GAGE WHEEL SPACER 1/4"
10	122120	1	WHEEL TUBE ASSY
11	604096	8	CS .312-18X.625 FLTSH ZN
12	604095	4	PAD, GAUGE WHEEL
13	606381	2	CB .500-13X6.50 STD ZN
14	122123	1	FORK W/A, FRONT S104
15	767962	7	FW .531 x 1.063 x .175
16	781567	5	NT .500-13NLG5
17	089938	2	CS .500-13X4.000HXG5
18	122127	1	FORK W/A, GUAGE
19	600878	1	CS .375-16X1.75 G5 FULTD
20	054502	1	NT .375-16HXG5
21	606113	2	TIR/WHL 11X4.00-5 SLV
22	306969	2	GAGE WHEEL SPACER
23	604041	2	CE .500X4.0 LANYARD PIN
24	116882	1	COVER, LATCH RIGHT
25	768523	6	FW 0.343SAE
26	034280	2	CS .312-18X0.750HXG5
27	604088	2	STOP PAD, WING
28	604086	4	CS .312-18X1.00 FLTSH ZN
29	603022	5	CS .312-18X.625 BH ZN
30	116614	1	PLATE, FLAP CLAMP
31	603855	1	FLAP, WING INTERSECTION
32	034272	2	NT .312-18HXG5
33	058776	2	NT .312-18NLG5
34	604183	1	BUMPER, TRIM EDGE FLAT
35	079210	2	FW 0.344X1.0X0.06 ZY
36	036236	2	CS .312-18X1.000HXG5



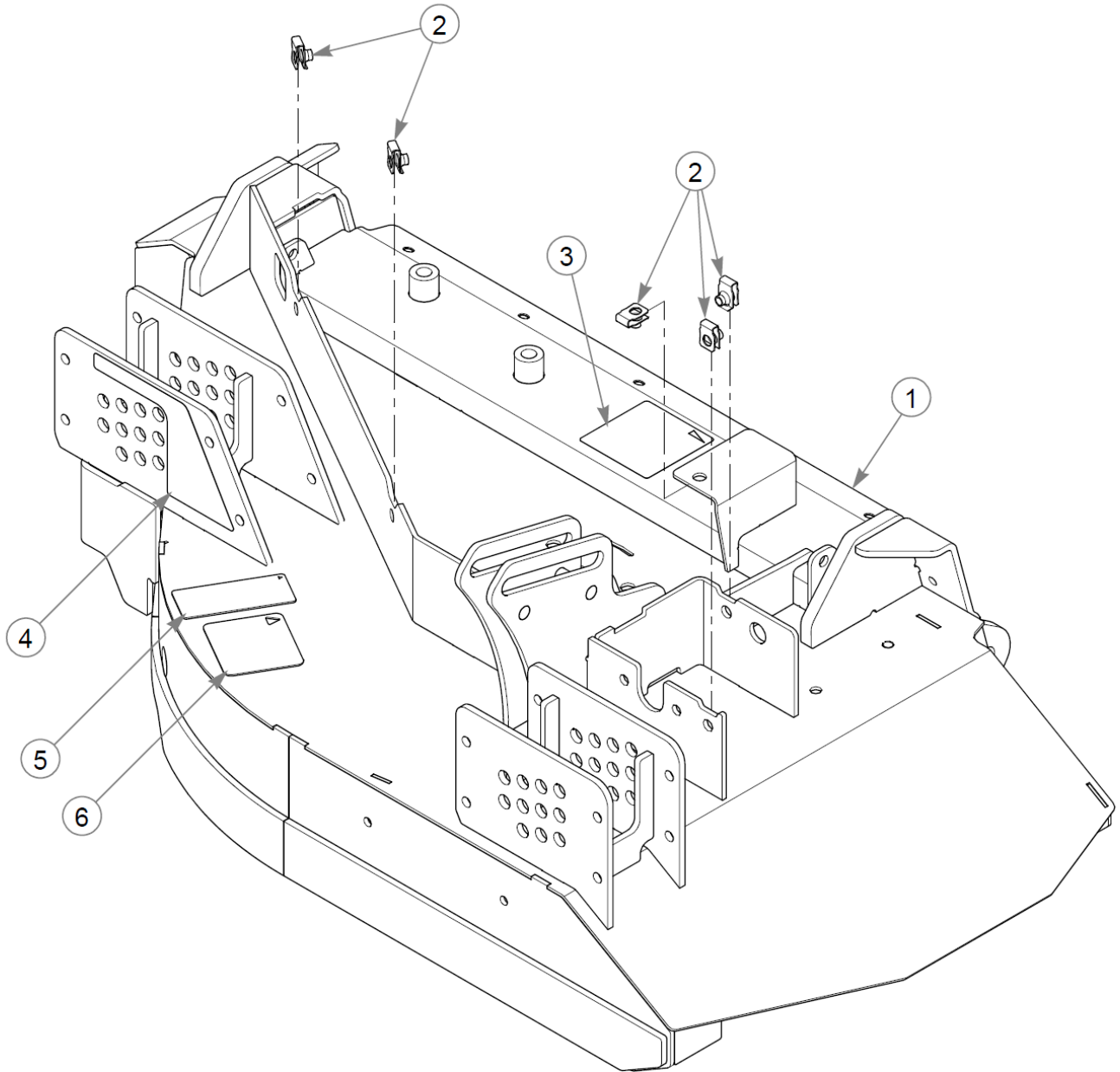
## Right Side Deck & Blades (Multi-Page)

Super 104 Parts Manual - 939652CE - HTSWSR104KAWFX1000VC

Item	Part No.	Qty	Name
37	086660	1	NT .375-16NLG8
38	767954	1	FW 0.379X.82X.06 HD ZY
39	125951-1	1	RAMP PNT, RH WING
40	606393	1	BLADE 23.86" L-F-CW
Not Shown	796839	1	BLADE, F23.86-L-F-CW
Not Shown	794867	1	BLADE, 23.86"-GAT-F-CW
Not Shown	793398	1	BLADE,23.86"-MUL-F-CW
41	114988	1	SHIELD, BLADE BOLT
42	782474	1	CW .678 X 2.250 X .187
43	781872	1	CS .625-11X1.250HXG5
44	602339	1	CB .50-13 X 4.50 STD ZN
45	602263	1	WHEEL, ANTI-SCALP
46	602345	1	SPACER, ANTI-SCALP 3.22

Comments for Page: Right Side Deck & Blades (Multi-Page)

1. Torque to 14 N•m..
2. Torque to 160 N•m.

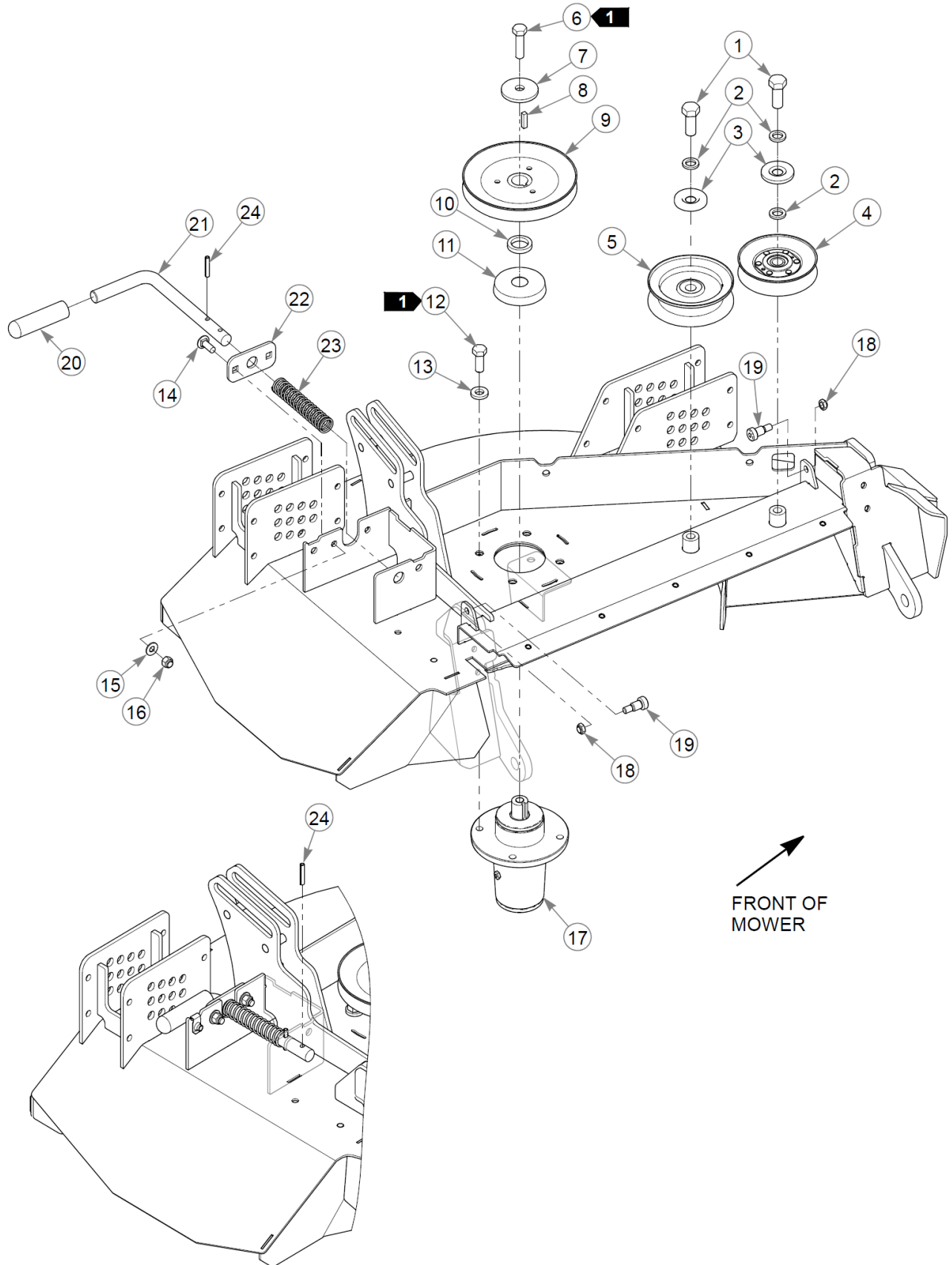


## Left Side Service Deck

Item	Part No.	Qty	Name
1	555429	1	SVC, DECK DECAL
2	601069	5	CN .312-18x.200 MAX THK
3	604278	1	DECAL, BELT ROUTING
4	607722	1	DECAL, WING HEIGHT
5	601892	1	DECAL, THROWN OBJECTS
6	601837	1	DECAL, DECK DANGERS

Comments for Page: Left Side Service Deck

1. The deck includes the decals and hardware.





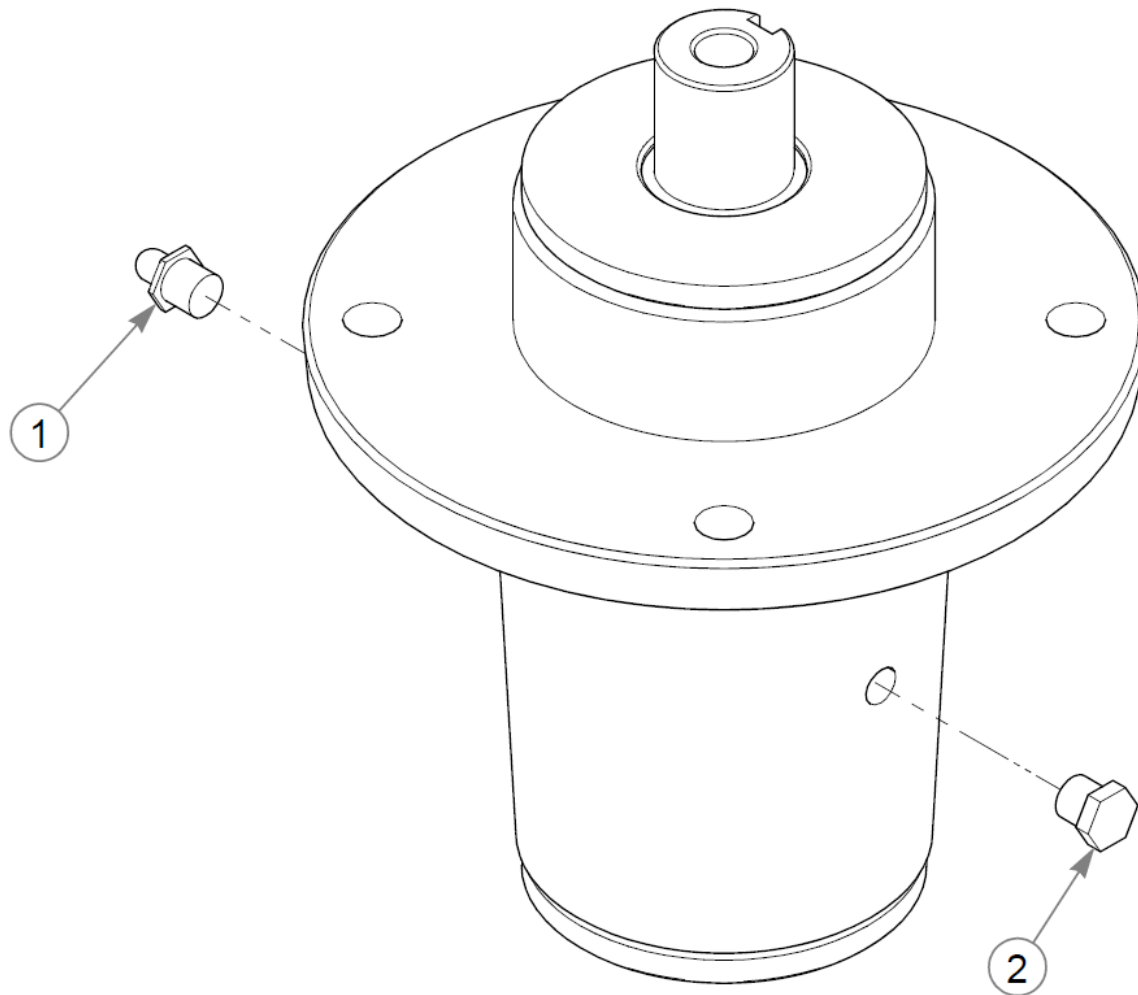
## Left Side Deck Pulleys & Spindles

Super 104 Parts Manual - 939652CE - HTSWSR104KAWFX1000VC

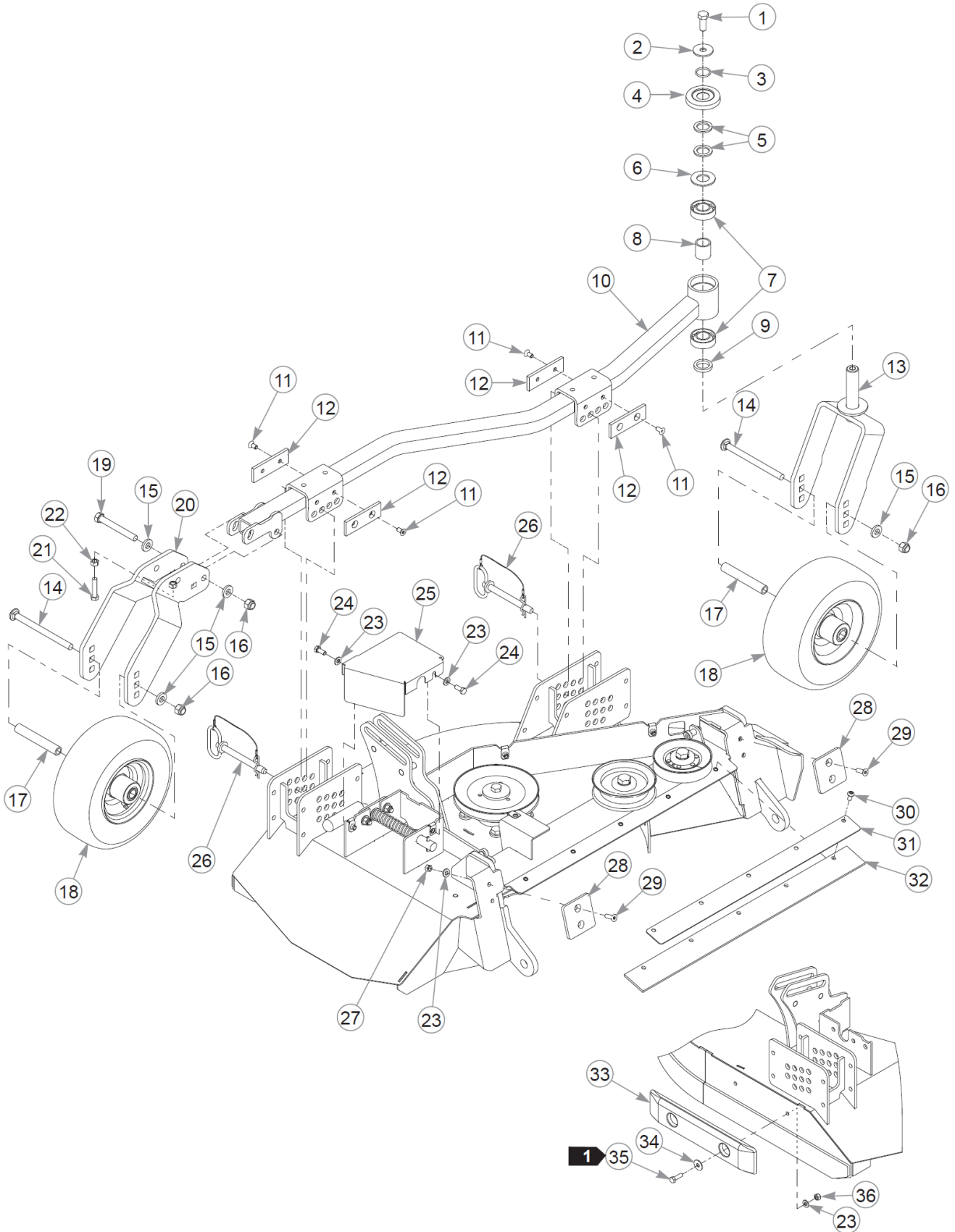
Item	Part No.	Qty	Name
1	794446	2	CS .625-11X1.500HXG5
2	028118	3	FW 0.625X1.00X.13 ZY
3	603057	2	DUST SHIELD W/OFFSET
4	605978	1	PULLEY, SPLIT IDLER
5	603784	1	IDLER, FLAT 4.0" DEEP
6	017616	1	CS .500-13X1.750HXG5
7	752386	1	CW .515X 2.25X .204 BLK
8	212472	1	KEY 1/4 SQ X 1.00 LG(FS)
9	538850	1	PULLEY, DRIVE(723486) B
10	469924	1	GAGE WHEEL SPACER 1/4"
11	607409-4	1	DUST SHIELD
12	705954	4	CS .500-13X1.25 HX G5 ZY
13	767962	4	FW .531 x 1.063 x .175
14	025395	2	CB .375-16X 1.00 G5 ZNY
15	767954	2	FW 0.379X.82X.06 HD ZY
16	086660	2	NT .375-16NLG8
17	607408	1	SPINDLE ASSY, DUCTILE
18	603846	2	NT .375-16 HX NL JAM ZN
19	060541	2	SB0.500X0.625SH0.375-16
20	603964	1	GRIP, .75X4.00 BLACK
21	116573	1	PIN, LATCH
22	116574	1	PLATE, LATCH
23	603958	1	SPRING, COMPRESSION
24	005124	2	RP0.250X1.375 ZN

Comments for Page: Left Side Deck Pulleys & Spindles

1. Torque to 88-102 N-m.

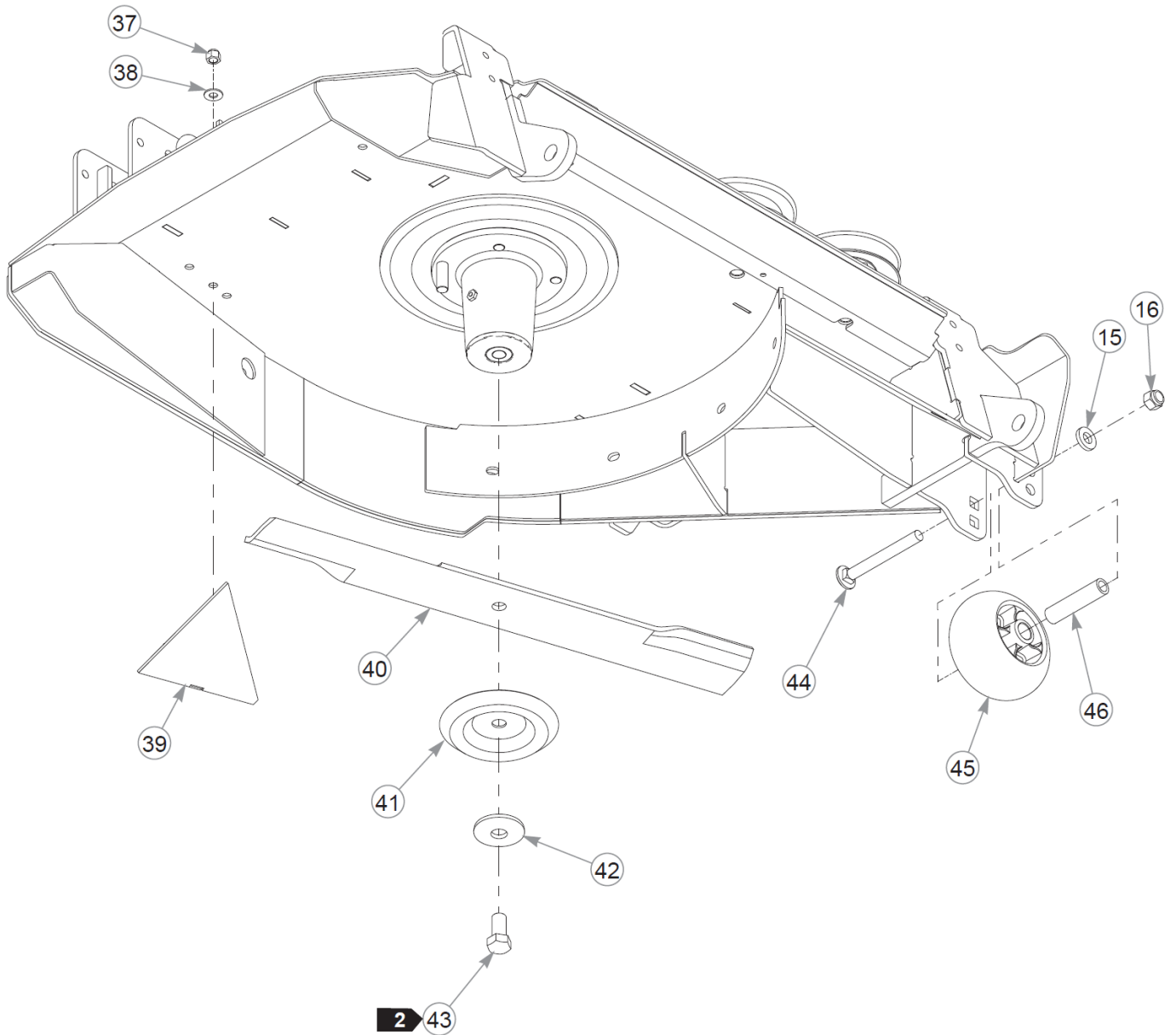


Item	Part No.	Qty	Name
1	607477	1	GREASE ZERK
2	607478	1	RELIEF FITTING



Left Side Deck & Blades (Multi-Page)

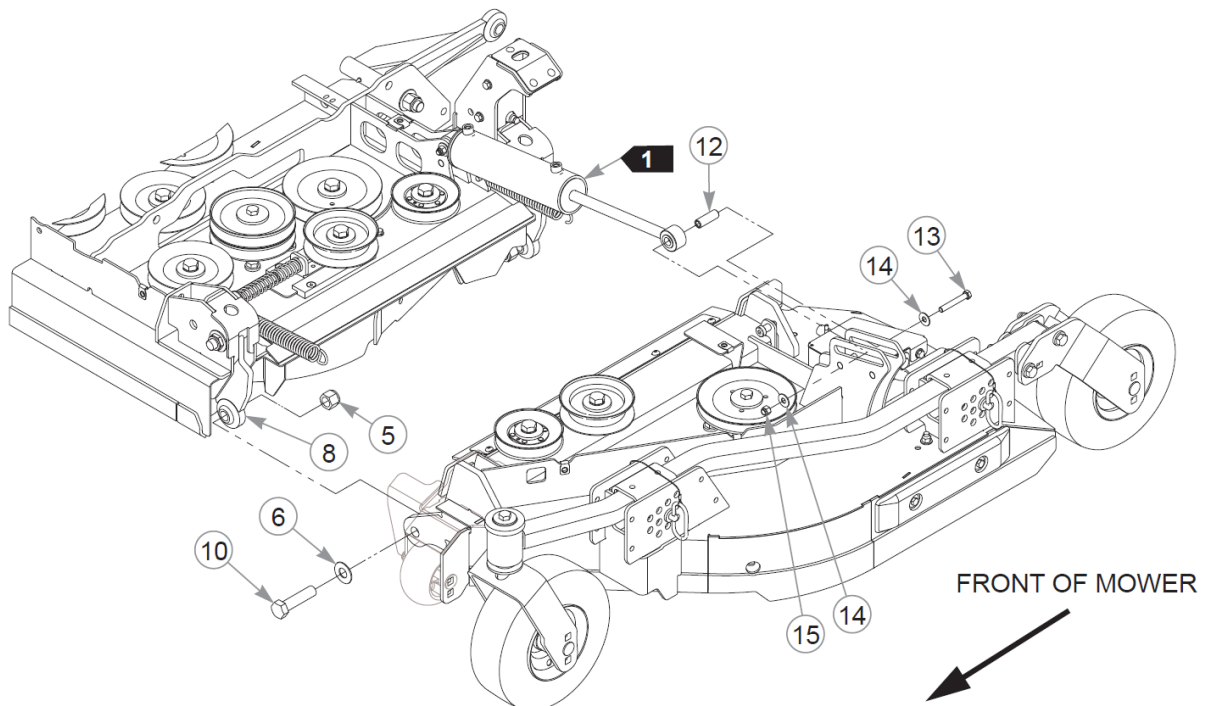
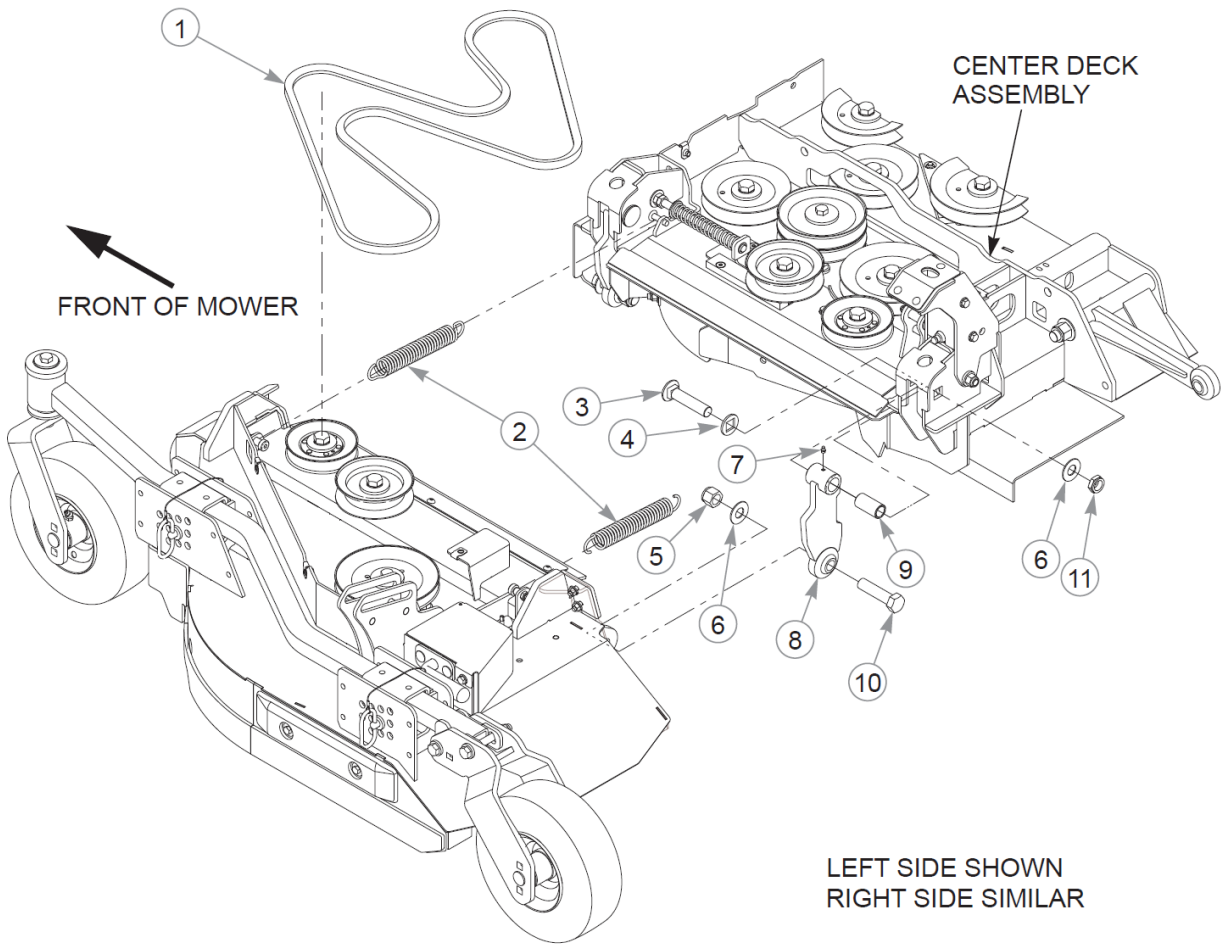
Item	Part No.	Qty	Name
1	705954	1	CS .500-13X1.25 HX G5 ZY
2	798603	1	FW .515X1.65X.12 HD ZY
3	601375	1	O-RING, SAE-14
4	603153	1	DUST CAP, SZ CASTER
5	045765	2	FW 1.030X1.50X.13 HD ZY
6	603164	1	BEARING DISC, FORK
7	784223	2	BEARING
8	784603	1	SPACER
9	469924	1	GAGE WHEEL SPACER 1/4"
10	122121	1	WHEEL TUBE ASSY
11	604096	8	CS .312-18X.625 FLTSH ZN
12	604095	4	PAD, GAUGE WHEEL
13	122123	1	FORK W/A, FRONT S104
14	606381	2	CB .500-13X6.50 STD ZN
15	767962	7	FW .531 x 1.063 x .175
16	781567	5	NT .500-13NLG5
17	306969	2	GAGE WHEEL SPACER
18	606113	2	TIR/WHL 11X4.00-5 SLV
19	089938	2	CS .500-13X4.000HXG5
20	122127	1	FORK W/A, GUAGE
21	600878	1	CS .375-16X1.75 G5 FULTD
22	054502	1	NT .375-16HXG5
23	768523	6	FW 0.343SAE
24	034280	2	CS .312-18X0.750HXG5
25	116883	1	COVER, LATCH LEFT
26	604041	2	CE .500X4.0 LANYARD PIN
27	034272	2	NT .312-18HXG5
28	604088	2	STOP PAD, WING
29	604086	4	CS .312-18X1.00 FLTSH ZN
30	603022	5	CS .312-18X.625 BH ZN
31	116614	1	PLATE, FLAP CLAMP
32	603855	1	FLAP, WING INTERSECTION
33	604183	1	BUMPER, TRIM EDGE FLAT
34	079210	2	FW 0.344X1.0X0.06 ZY
35	036236	2	CS .312-18X1.000HXG5
36	058776	2	NT .312-18NLG5



Item	Part No.	Qty	Name
37	086660	1	NT .375-16NLG8
38	767954	1	FW 0.379X.82X.06 HD ZY
39	125953-1	1	RAMP PNT, LH WING
40	606392	1	BLADE, 23.86" L-F-CCW
Not Shown	796508	1	BLADE, F23.86-L-F-CCW
Not Shown	601929	1	BLADE, 23.86" GAT-F-CCW
Not Shown	604164	1	BLADE, 23.86"-MUL-F-CCW
41	114988	1	SHIELD, BLADE BOLT
42	782474	1	CW .678 X 2.250 X .187
43	604383	1	CS .625-11X1.250 G5 LHT
44	602339	1	CB .50-13 X 4.50 STD ZN
45	602263	1	WHEEL, ANTI-SCALP
46	602345	1	SPACER, ANTI-SCALP 3.22

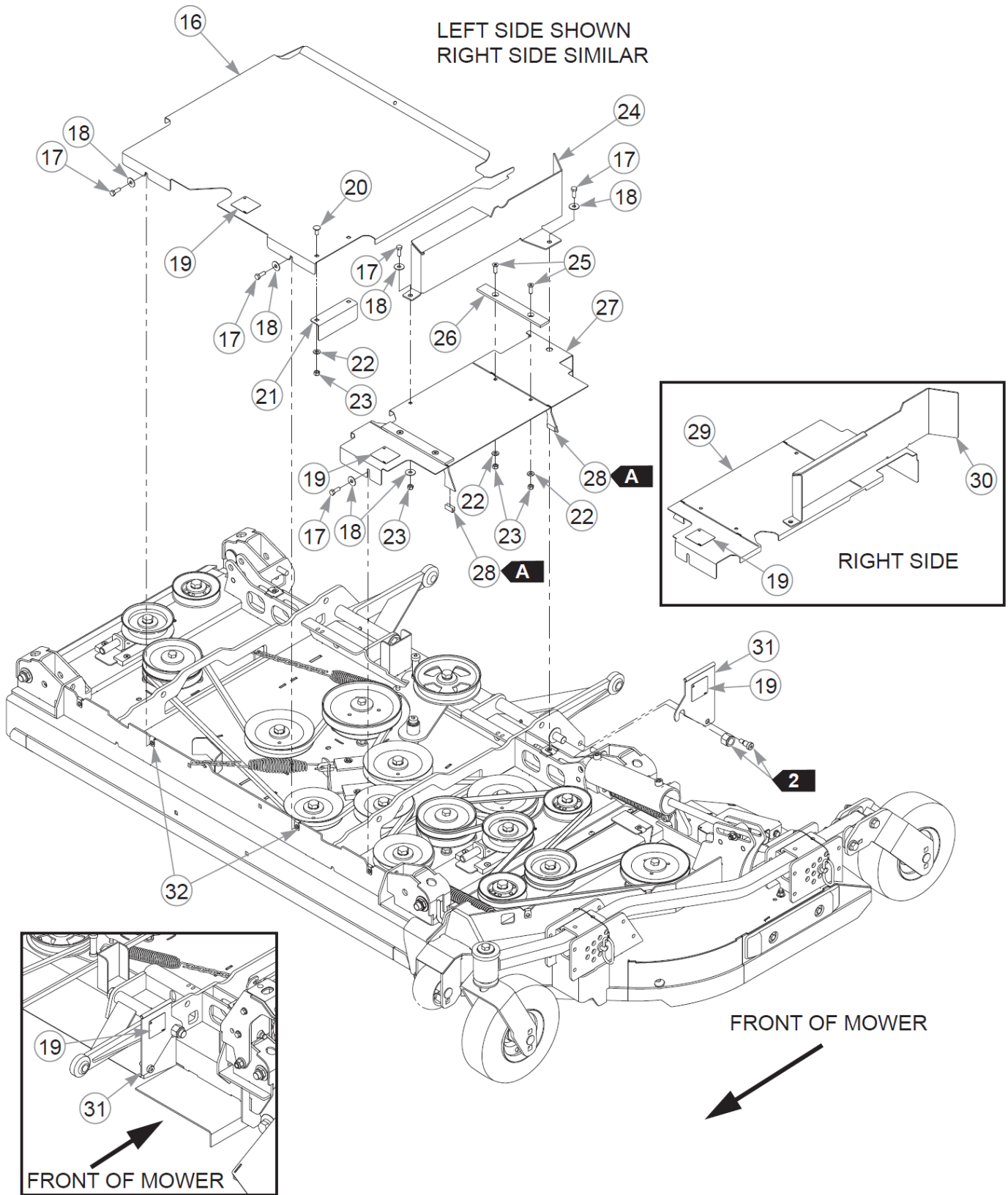
Comments for Page: Left Side Deck & Blades (Multi-Page)

1. Torque to 14 N•m..
2. Torque to 160 N•m..

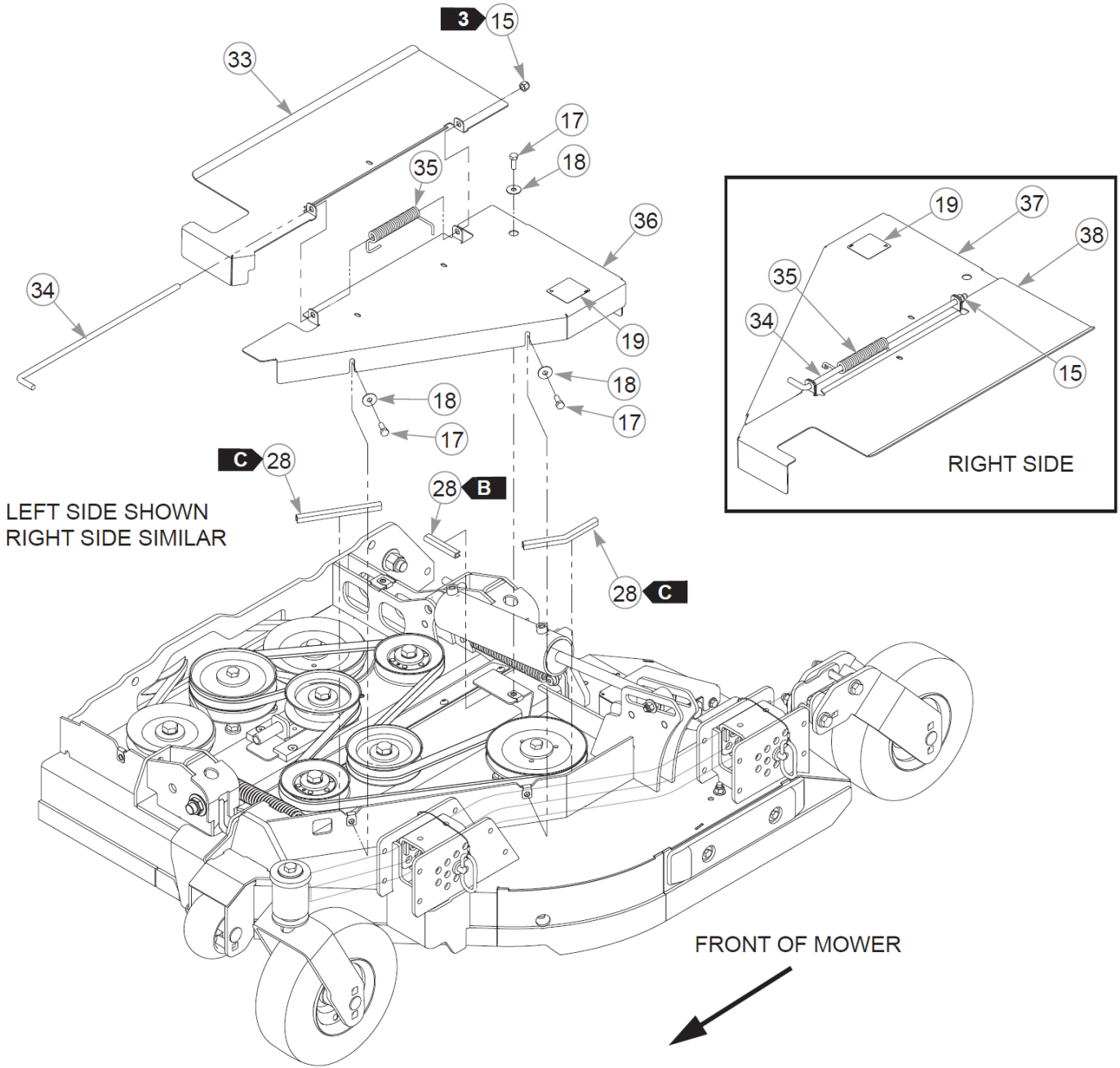




Item	Part No.	Qty	Name
1	603885	2	DECK BELT
2	603966	4	SPRING, TENSION1.25X6.00
3	603953	4	CB .750-10X3.500 G5 ZN
4	606199	4	FW SQ 0.781X1.50X.13 ZY
5	061101	4	NT .750-10 HX ZY NL GR B
6	025296	8	FW .760X1.63X0.08 ZY
7	015495	4	GREASE FITTING STRAIGHT
8	116555	4	LINK W/A, WING PIVOT
9	116558	4	BUSHING, PIVOT LINK
10	051169	4	CS .750-10X3.000HXG5
11	604495	4	NT .750-10 NL JAM
12	604290	2	SPACER, CYLINDER
13	016428	2	CS .375-16X2.500HXG5
14	076422	4	FW 0.406X1.00X.06 ZY
15	086660	4	NT .375-16NLG8
16	555423	1	SVC, C GIARD DECAL
17	064014	14	CS .312-18X0.875HXG5
18	079210	16	FW 0.344X1.0X0.06 ZY
19	602562	7	DECAL, NO SERVICE
20	016253	2	CB .312-18X .750 FUL ZN
21	126150-1	1	CE GUARD, EXTENSION PNT
22	768523	10	FW 0.343SAE
23	058776	12	NT .312-18NLG5
24	126151-1	1	CE GUARD, L SKIRT PNT
25	604086	8	CS .312-18X1.00 FLTSH ZN
26	604028	4	SLIDE, PULLEY COVER
27	555420	1	SVC, L COVER DECAL
28	033001	86 cm	FLEXIBLE TRIM UNI-GRIP
29	555419	1	SVC, R COVER DECAL
30	126152-1	1	CE GUARD, R SKIRT PNT
31	555421	2	SVC, GUARD DECAL
32	601069	2	CN .312-18x.200 MAX THK
33	116601	1	COVER, LH WING INT
34	602432	2	PIN, CHUTE
35	602435	2	SPRING, TORSION
36	555418	1	SVC, L WING COVER DECAL



Item	Part No.	Qty	Name
37	555417	1	SVC, R WING COVER DECAL
38	116600	1	COVER, RH WING INT



Comments for Page: Center Deck to Wing Deck - Assembly, Belt & Covers (Multi-Page)

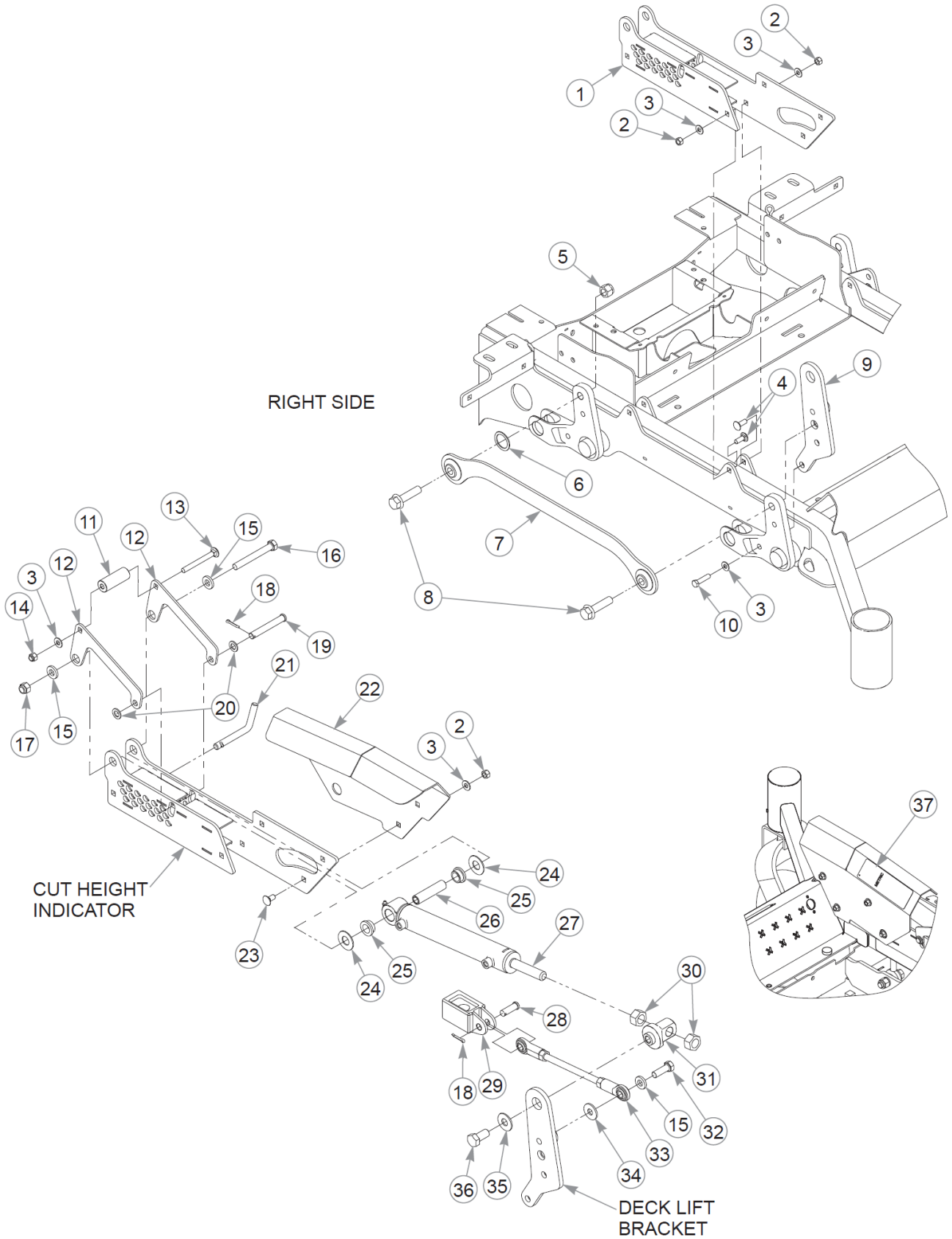
1. Part of the Hydraulic Assembly.
2. Part of the Deck Pulley Assembly.
3. Do not torque; the cover must pivot freely.
4. The center guard, LS & RS pulley covers, rear deck guards, and wing pulley covers include the decals.

TRIM LENGTHS

A: 2.5 cm

B: 8 cm

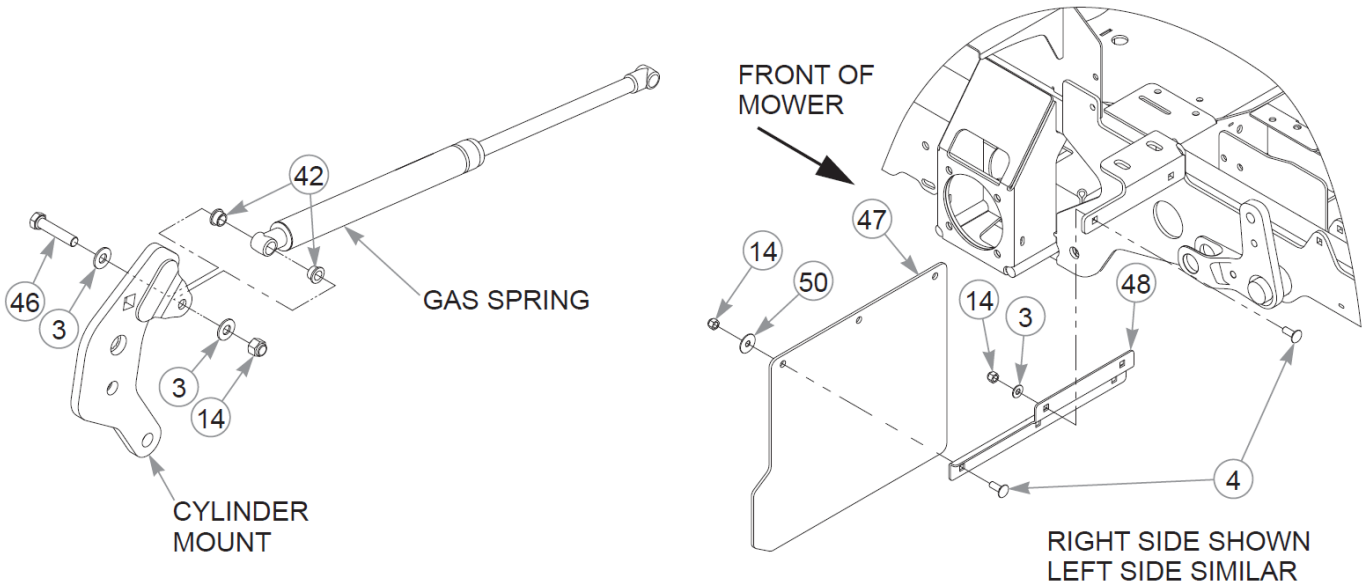
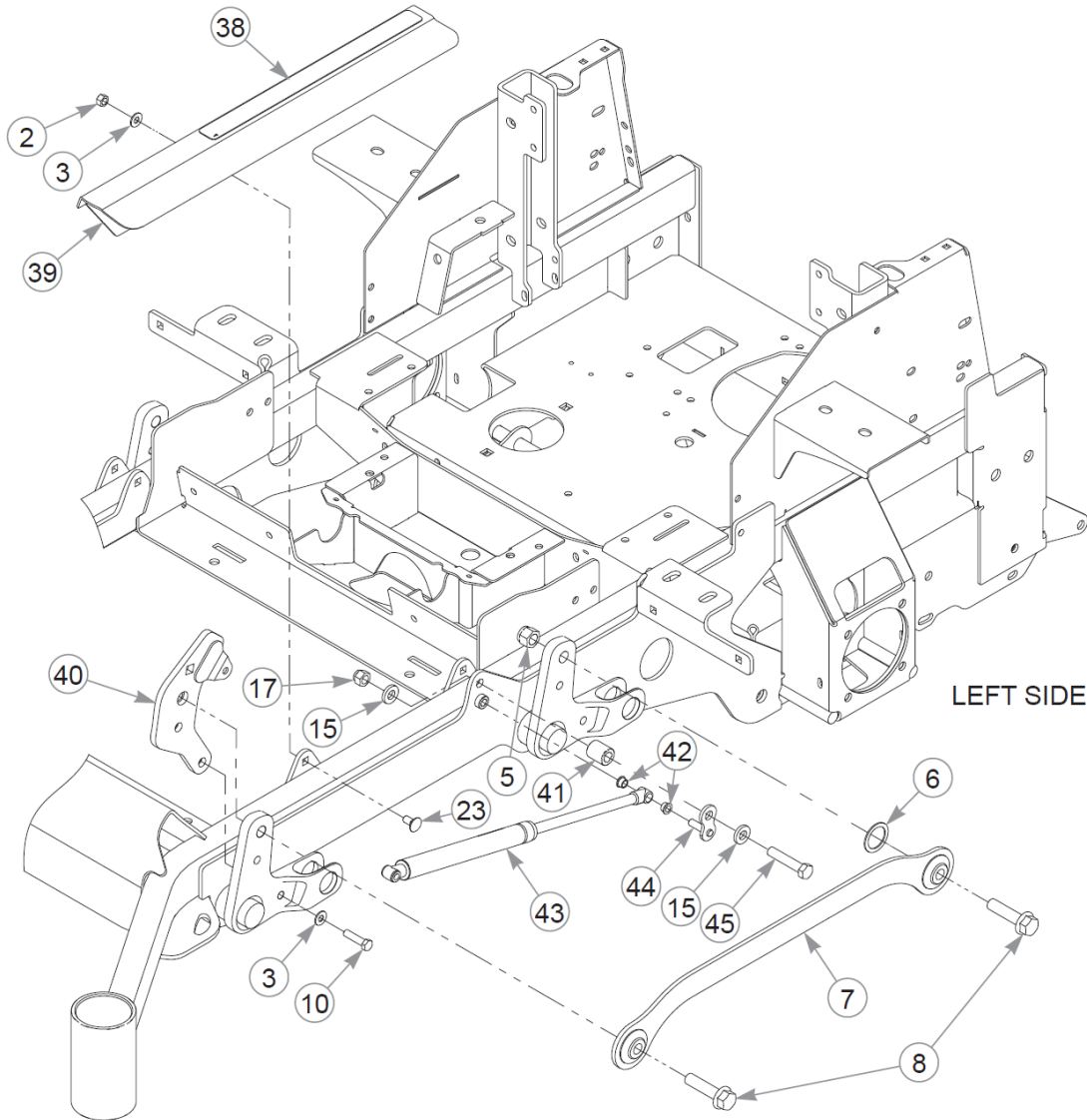
C: 15 cm



## Deck Lift &amp; Mounting Hardware (Multi-Page)

Super 104 Parts Manual - 939652CE - HTSWR104KAWFX1000VC

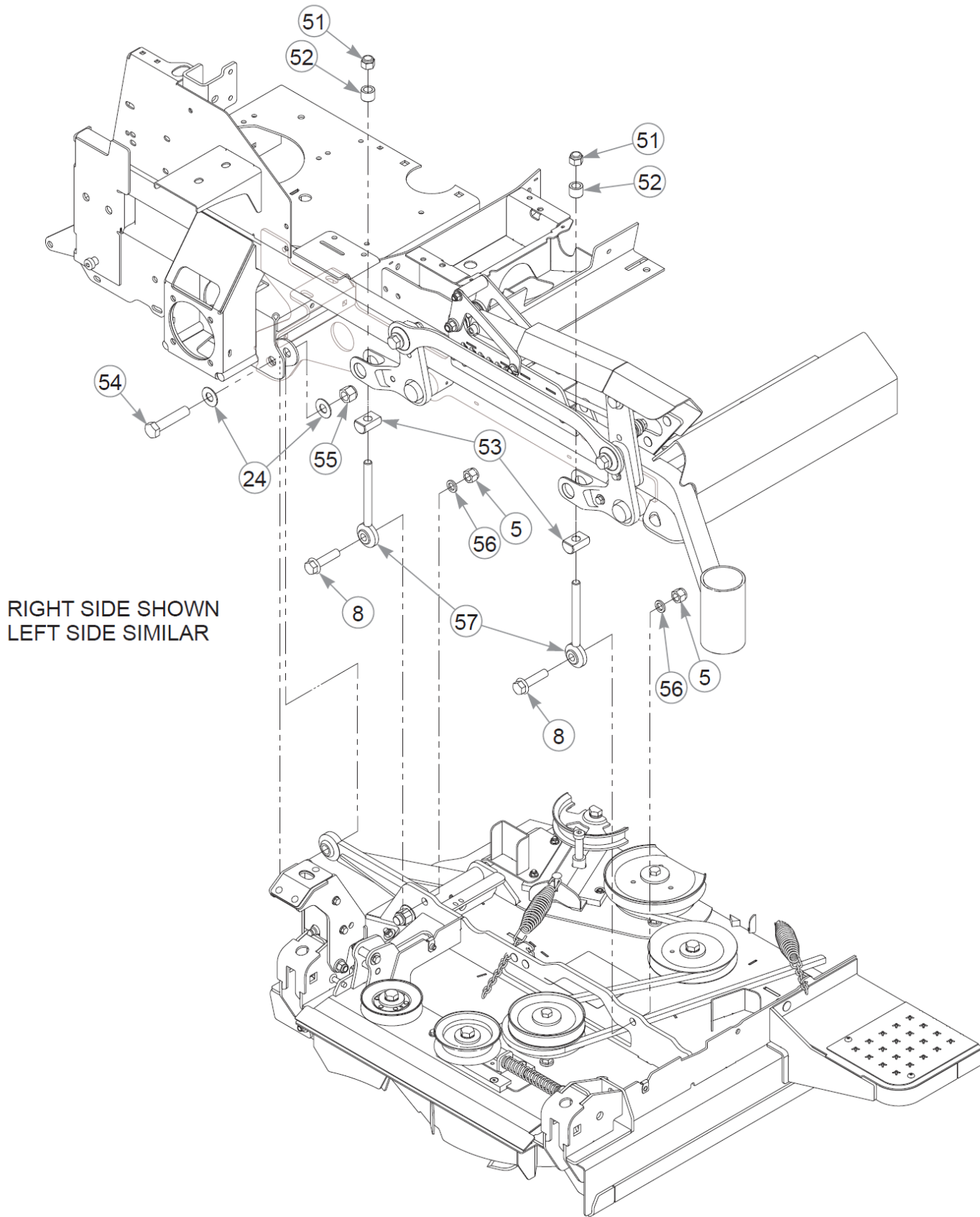
Item	Part No.	Qty	Name
1	117320	1	W/A, CUT HT. INDICATOR
2	054502	9	NT .375-16HXG5
3	767954	20	FW 0.379X.82X.06 HD ZY
4	025395	14	CB .375-16X 1.00 G5 ZNY
5	058768	6	NT .625-11 HXZY NY
6	117188	2	LINK SPACER
7	116730	2	W/A, DECK LINK
8	604043	8	CS .625-11x2.500FLGG5
9	116784	1	BRACKET W/A, DECK LIFT
10	080655	4	CS .375-16X1.500HXG5
11	117489	1	SPACER, LATCH
12	117488	2	ARM, LATCH
13	041848	1	CB .375-16X 3.500 FUL Z
14	086660	12	NT .375-16NLG8
15	767962	5	FW .531 x 1.063 x .175
16	089938	1	CS .500-13X4.000HXG5
17	781567	2	NT .500-13NLG5
18	017251	2	CP .156DX1.000 LG HML Z
19	025965	1	CE .500X3.50 .156X3.34
20	718288	2	FW .516X.88X.09 ZY
21	604076	1	PIN, DECK HEIGHT STOP
22	551809	1	GUARD, RH FRAME
23	011320	5	CB .375-16X .750 STD ZN
24	025296	6	FW .760X1.63X0.08 ZY
25	770867	2	BUSHING, PLAS .750x1(FS)
26	604075	1	SPACER, CYLINDER
27	604073	1	CYLINDER, SINGLE ROD
28	068056	1	CE .500X1.50 .150X1.32
29	604069	1	SLIDER, DECK LIFT
30	008417	2	NT .750-10HXG5
31	602897	1	BLOCK, DECK LIFT
32	074252	1	CS .500-13X1.50 HX G5 ZY
33	604072	1	ROD END ASSEMBLY
34	712976	1	FW 0.531X1.38X.12 ZY
35	704783	1	FW 0.625X1.500X0.105
36	781872	1	CS .625-11X1.250HXG5





**Deck Lift & Mounting Hardware (Multi-Page)**

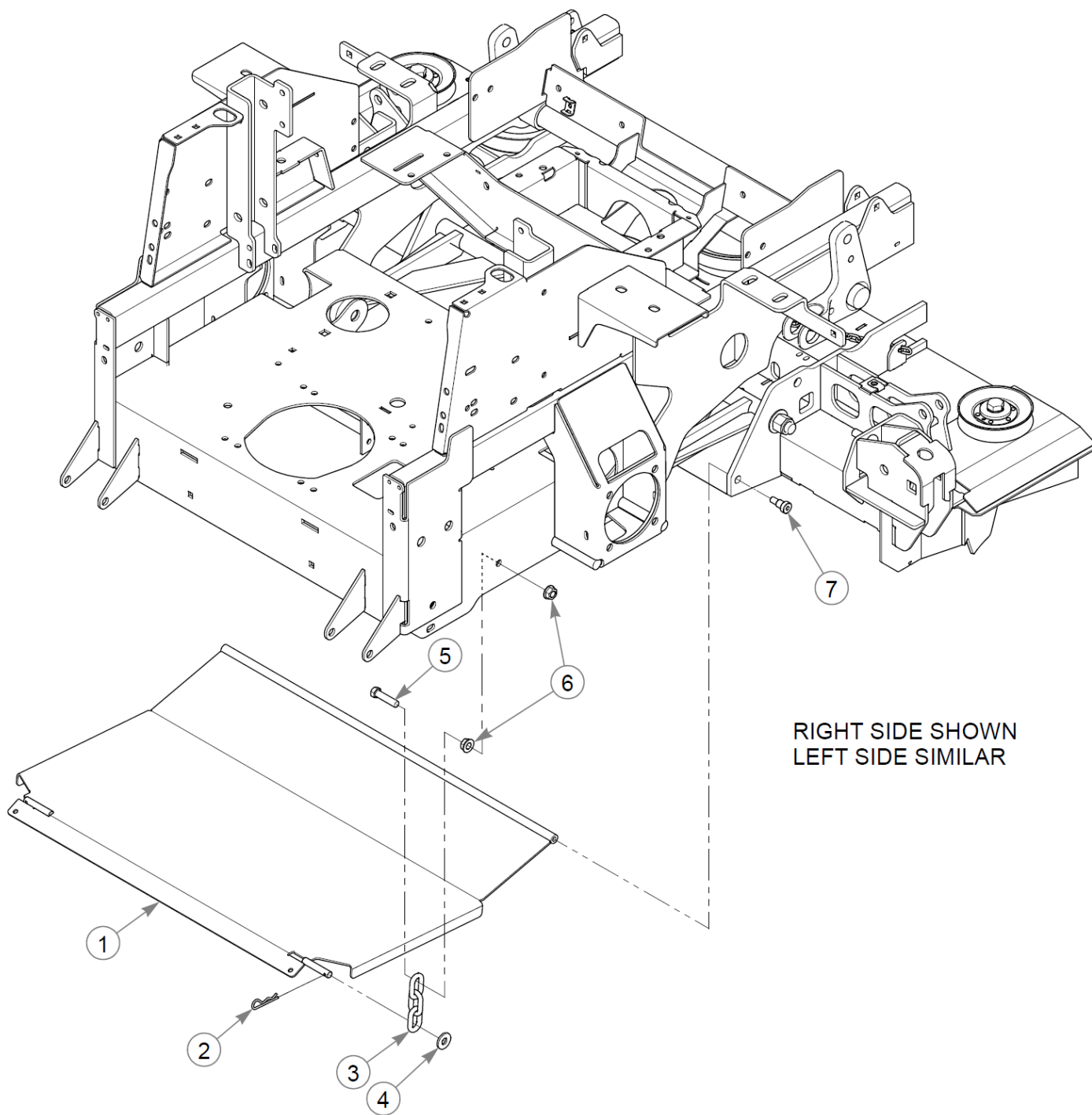
Item	Part No.	Qty	Name
37	607690	1	DECAL, CUT HEIGHT
38	601993	1	DECAL, SAFE OPERATION
39	551808	1	GUARD, LH FRAME
40	117318	1	W/A, CYLINDER MOUNT
41	116206	1	BRACKET SPACER
42	765339	4	BUSHING,IGUS#0608 (FS)
43	604037	1	GAS SPRING, DECK LIFT
44	116203	1	CYLINDER BRACKET W/A
45	008573	1	CS .500-13X2.500HXG5
46	705178	1	CS .375-16X1.750HXG5
47	604266	2	FLAP, WHEEL
48	124386-1	1	ANGLE, FLAP MOUNT RH
49	124388-1	1	ANGLE, FLAP MOUNT LH
50	705137	6	FW 0.391X1.25X.06 ZY
51	604232	4	NT .625-18NLKG5
52	603903	4	DECK LEVEL SPACER
53	603902	4	DECK LEVEL PIVOT
54	789115	2	CS .750-10X3.500HXG5
55	061101	2	NT .750-10 HX ZY NL GR B
56	028118	4	FW 0.625X1.00X.13 ZY
57	116732	4	W/A, DECK LEVEL ROD END



## Deck Lift & Mounting Hardware (Multi-Page)

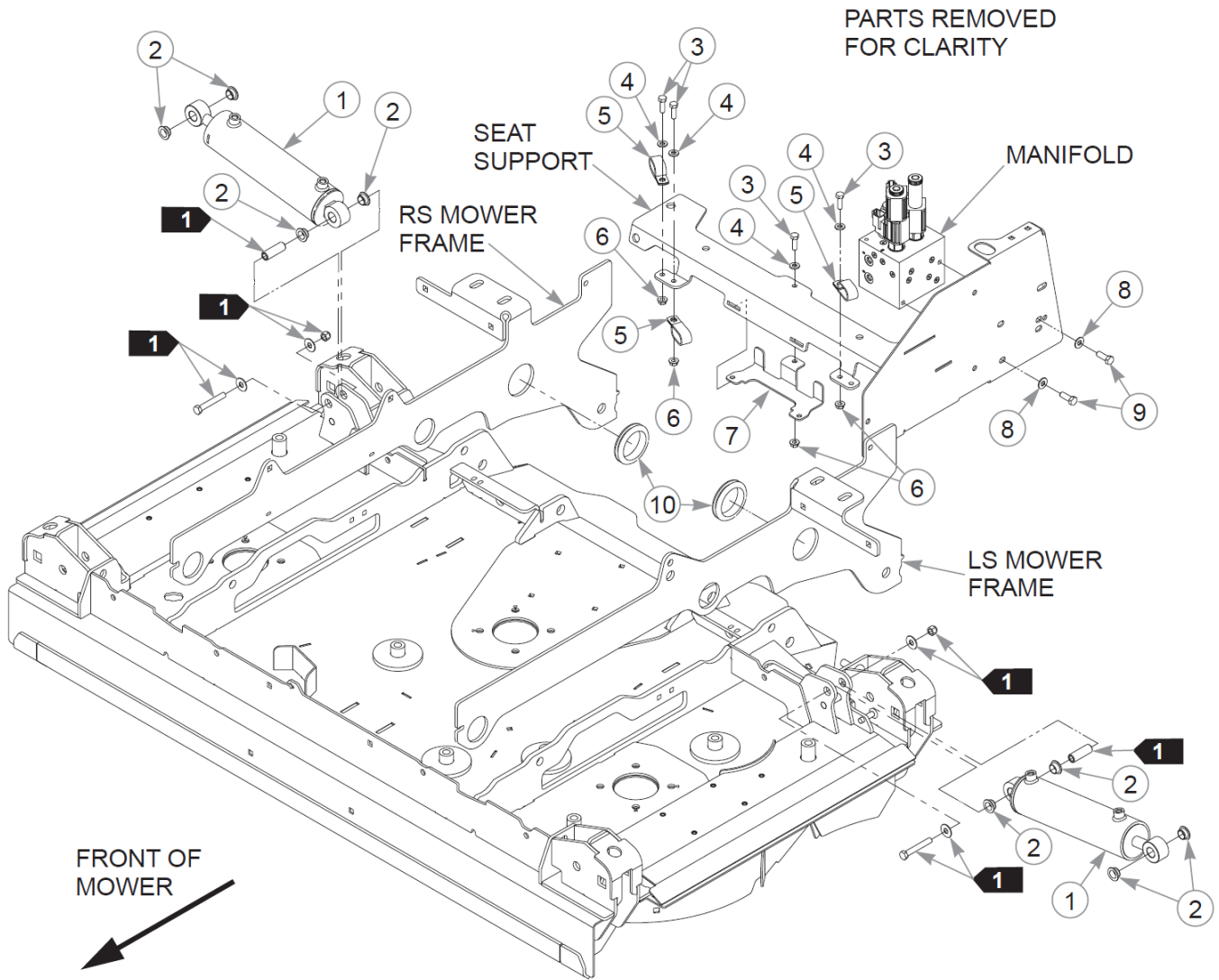
Comments for Page: Deck Lift & Mounting Hardware (Multi-Page)

1. The LS and RS frame guards include the decals.



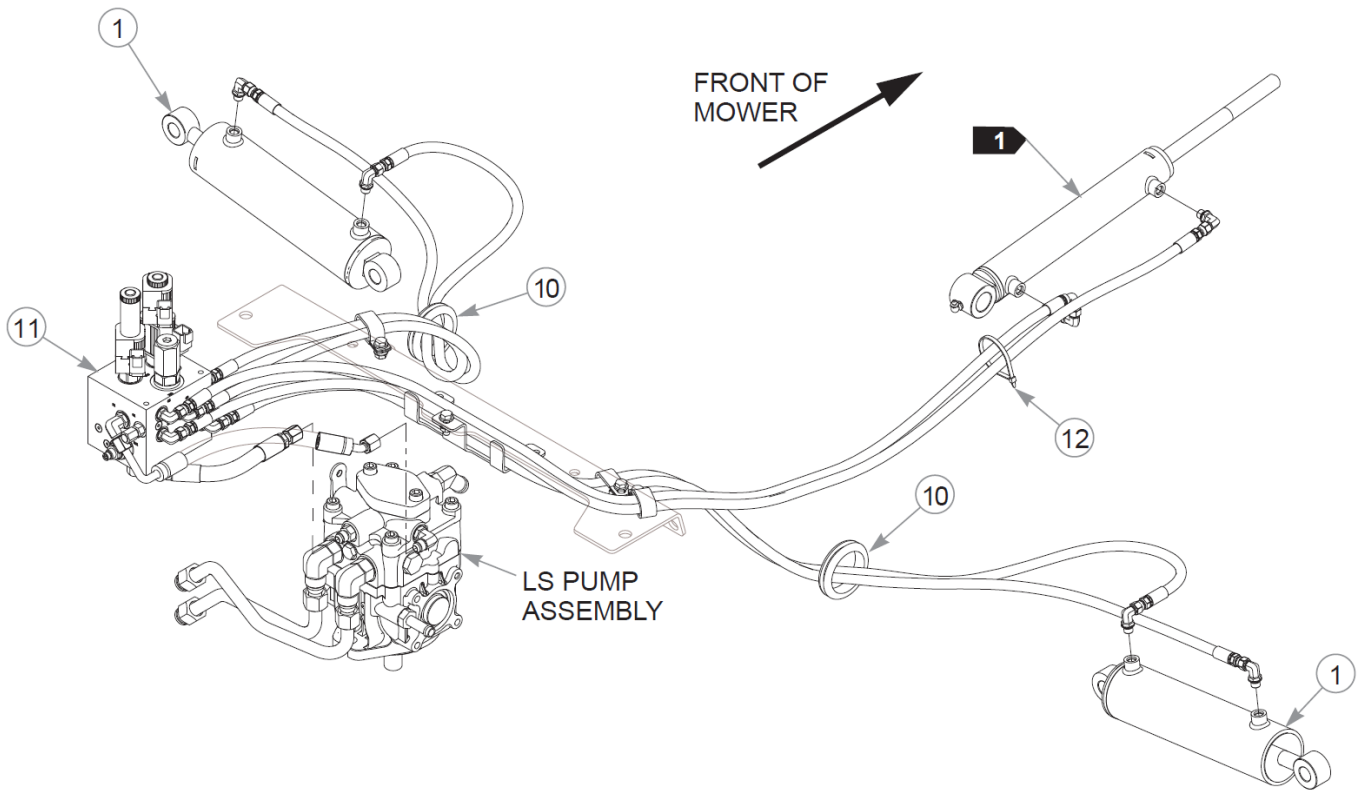
## Dust Shield

Item	Part No.	Qty	Name
1	126059-1	1	BELLY PAN PNT
2	017301	2	HP .125 X2.375 ZN
3	360131	2	CHAIN, DECK LIFT
4	602680	2	FW .453X1.12X.12 HRD ZY
5	055749	2	CS .437-14X1.750HXG5
6	704643	4	NT .437-14FLKG5
7	060541	2	SB0.500X0.625SH0.375-16



Wing Lift System (Multi-Page)

Item	Part No.	Qty	Name
1	604034	2	CYLINDER, SINGLE ROD
2	602539	8	BUSHING, .625 I.D.
3	036236	4	CS .312-18X1.000HXG5
4	768523	4	FW 0.343SAE
5	607674	3	CLAMP - P, DOUBLE
6	016832	4	NT .312-18FLKG5
7	125851-1	1	SUPPORT - HOSES
8	767954	2	FW 0.379X.82X.06 HD ZY
9	036244	2	CS .375-16X1.00 HX G5 ZY
10	603289	2	GM, 2.25IDX 3.00DX 2.5GD
11	N/A	1	REFER TO "MANIFOLD BLOCK BREAKDOWN"
12	000331	1	WIRE TIE, SMALL/SHORT





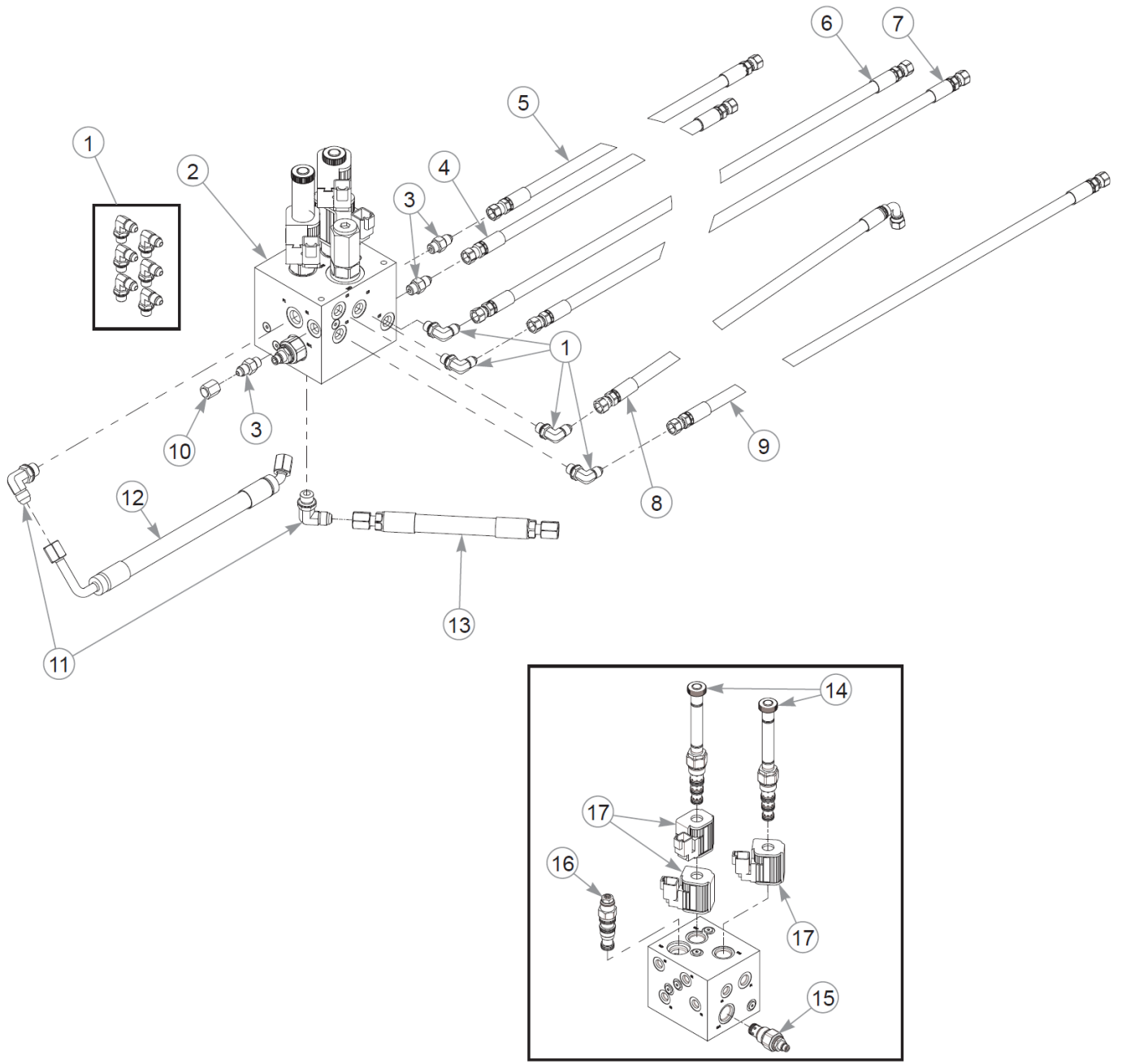
## Wing Lift System (Multi-Page)

Super 104 Parts Manual - 939652CE - HTSWSR104KAWFX1000VC

Comments for Page: Wing Lift System (Multi-Page)

1. Part of the Deck Assembly.

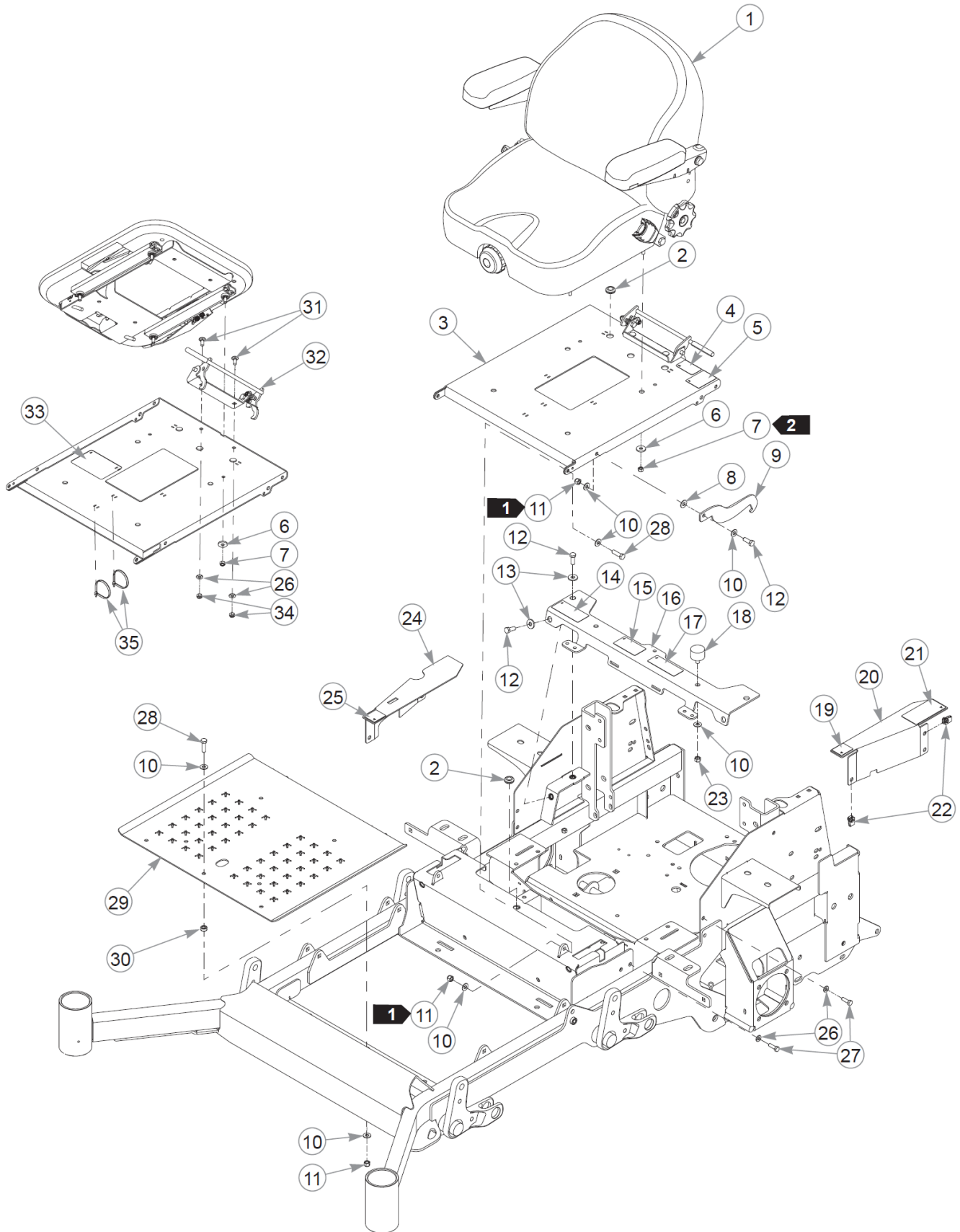
Manifold Block Breakdown



## Manifold Block Breakdown

Super 104 Parts Manual - 939652CE - HTSWSR104KAWFX1000VC

Item	Part No.	Qty	Name
1	604133	10	FTG, 4MORB / 4MJIC 90
2	607570	1	MANIFOLD ASM
3	603181	3	FTG, -4MORB/4MJIC STR
4	607576	1	HOSE ASM - HYDRAULIC
5	607577	1	HOSE ASM - HYDRAULIC
6	607578	1	HOSE ASM - HYDRAULIC
7	607579	1	HOSE ASM - HYDRAULIC
8	607574	1	HOSE ASM - HYDRAULIC
9	607575	1	HOSE ASM - HYDRAULIC
10	602479	1	FTG, 4FJIC CAP
11	795922	2	FTG, 90-6MORB/-6MJI
12	607572	1	HOSE ASM - HYDRAULIC
13	607573	1	HOSE ASM - HYDRAULIC
14	602458	2	VALVE, REEL DRIVE
15	602456	1	RELIEF VALVE CARTRIDGE
16	605117	1	VALVE, COUNTER BALANCE
17	602454	3	VALVE, SOLENOID CARTRIDG



# Seat & Floor Pan

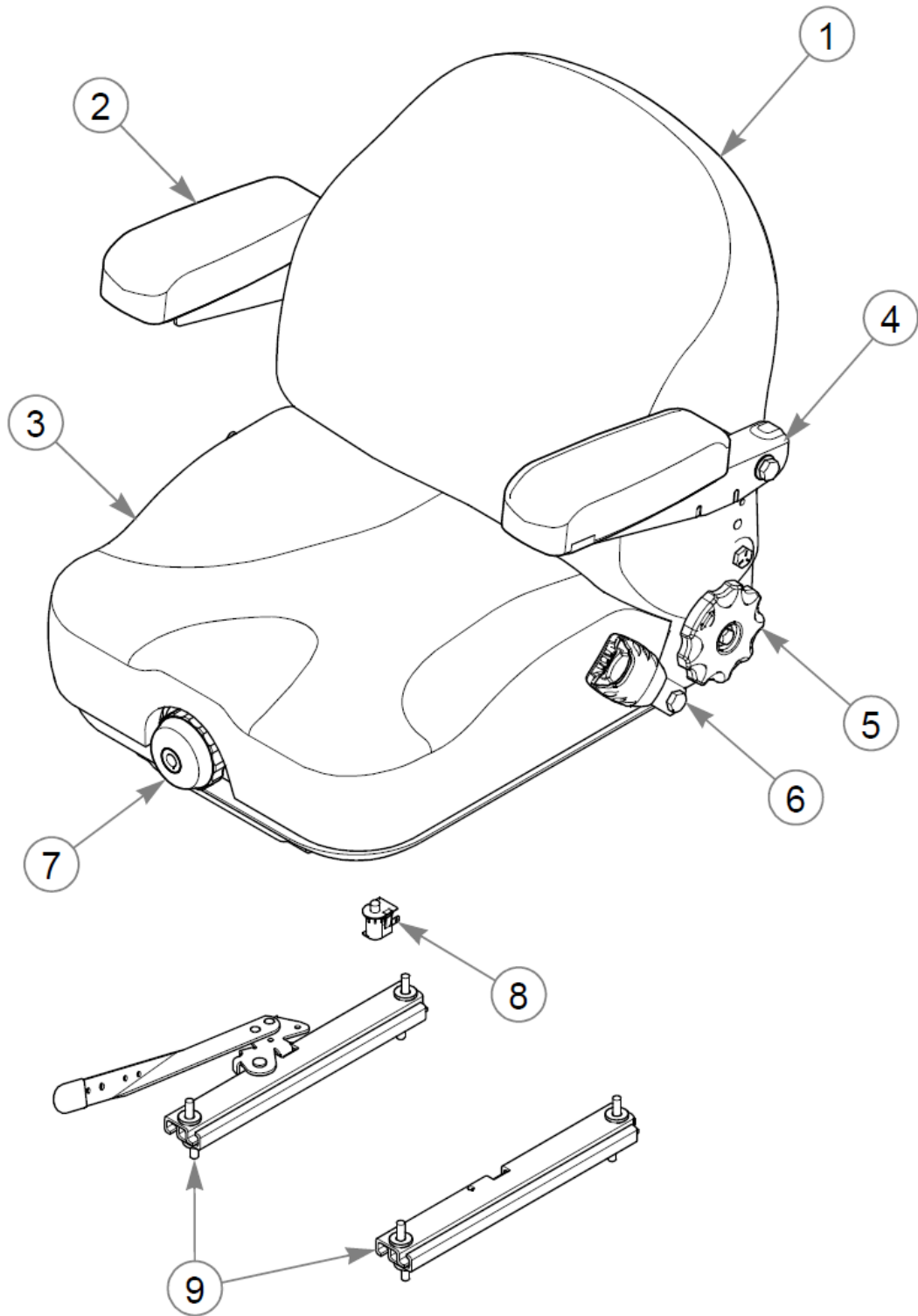
Item	Part No.	Qty	Name
1	607710	1	SEAT, I3M SEATS INC
2	080358	2	GM .50X1.00X.75X.12
3	550815	1	SEAT PAN, SERVICE
4	605688	1	DECAL, LEVEL FUEL FILL
5	785188	1	DECAL, Z ARMREST WARNING
6	712927	4	FW 0.344X1.00X.12 HD ZY
7	058776	4	NT .312-18NLG5
8	724716	2	WASHER, FIBER (FS)
9	350421	2	SEAT PAN STOP (PLATED)
10	767954	12	FW 0.379X.82X.06 HD ZY
11	086660	5	NT .375-16NLG8
12	036244	6	CS .375-16X1.00 HX G5 ZY
13	712919	4	FW 0.406X1.00X.12 HD ZY
14	601967	1	DECAL, ENGINE COMPART
15	601968	1	DECAL, HYDRAULIC PRESS
16	555243	1	SVC, SEAT SUPPORT
17	601058	1	DECAL, HOT/SYN HYDRO OIL
18	601650	2	VIBRATION MOUNT 70DURO
19	785139	1	DECAL, STEERING L.S.
20	550823	1	FRAME COVER LS, SERVICE
21	600899	1	DECAL, PUMP BELT WARNING
22	601069	5	CN .312-18x.200 MAX THK
23	054502	2	NT .375-16HXG5
24	551827	1	RS FRAME COVER, SERVICE
25	785220	1	DECAL, STEERING R.S.
26	768523	7	FW 0.343SAE
27	036236	5	CS .312-18X1.000HXG5
28	052860	3	CS .375-16X1.25 HX G5 ZY
29	124956-1	1	FLOOR PAN
30	118900	1	SPACER, DECK LIFT LINK
31	016253	2	CB .312-18X .750 FUL ZN
32	605907	1	LATCH ASSEMBLY
33	601815	1	DECAL, BATTERY WARNINGS
34	034272	2	NT .312-18HXG5
35	000331	2	WIRE TIE, SMALL/SHORT

## Seat & Floor Pan

Comments for Page: Seat & Floor Pan

1. Do not torque; the seat pan and seat pan stop must pivot freely.
2. The seat pan, seat support, and LS & RS frame covers include the decals.

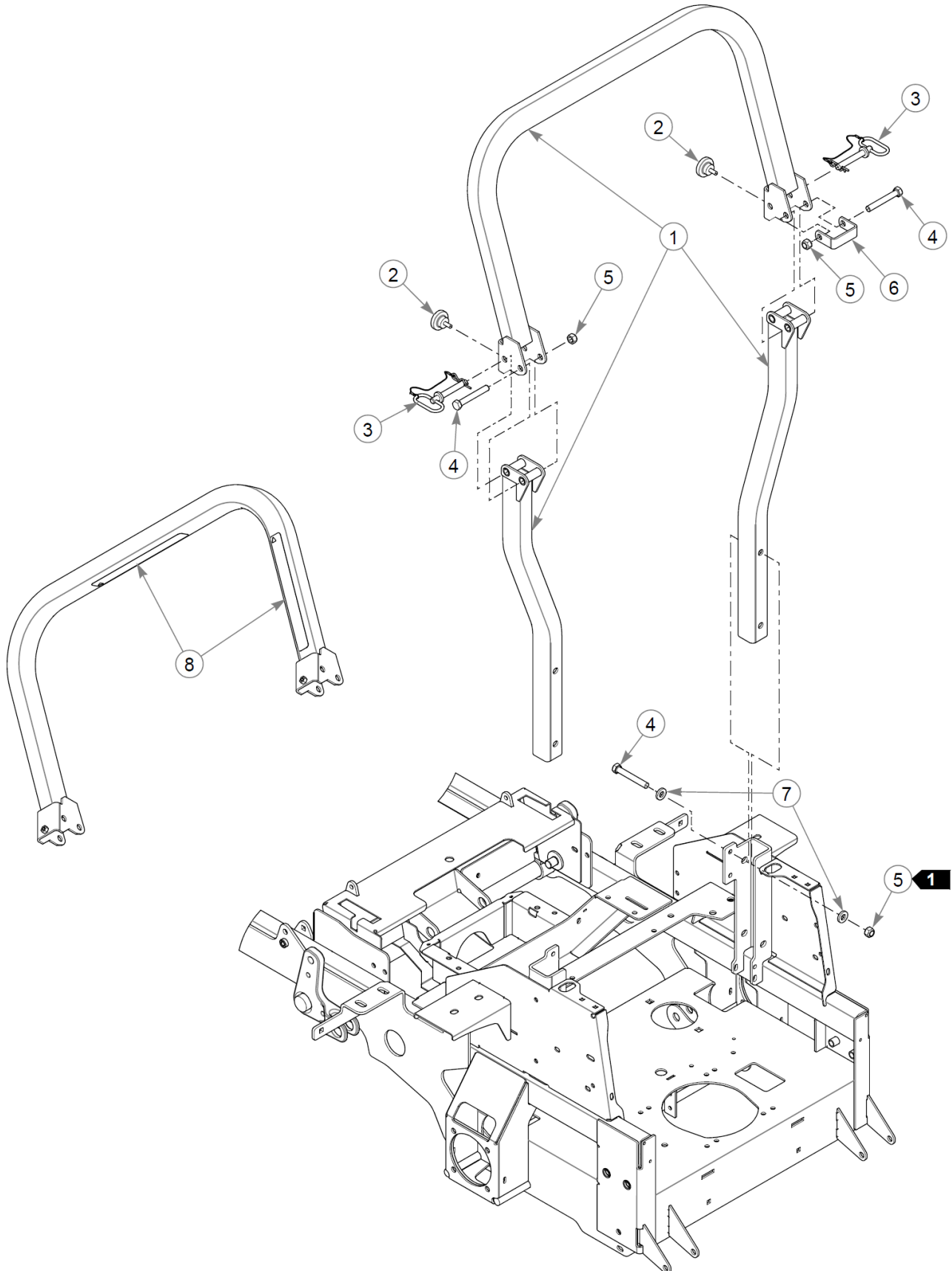
This page intentionally left blank





## Seat Service Parts - 607710

Item	Part No.	Qty	Name
Not Shown	607710	1	SEAT, I3M SEATS INC
1	607707	1	SVC, SEAT BACK COVER
2	607715	1	SVC, ARM REST PAD KIT
3	607708	1	SVC, SEAT CUSHION COVER
4	607711	1	SVC, ARM REST KIT
5	607709	1	SVC, RECLINER KNOB
6	607207	1	SVC, SEAT BELT
7	607206	1	SVC, KNOB KIT
8	606082	1	SVC, OPS
9	607204	1	SVC, TRACK KIT



# ROPS

Item	Part No.	Qty	Name
1	603338	1	KIT, ROPS SZ
2	601470	2	KNOB, HAND FOR ROPS
3	601471	2	LYNCH PIN W/ LANYARD
4	061812	6	CS .500-13X3.50 HX G5 ZY
5	023317	6	NT .500-13UNTG8
6	603099	1	ROPS STOP, XONE
7	767962	8	FW .531 x 1.063 x .175
8	601635	2	DECAL, ROP'S

Comments for Page: ROPS

1. Torque to 99 N•m.
2. The ROPS kit includes decals, seatbelt and hardware.