

Hustler Super Z CE ***Parts Manual***



HUSTLER®

.....

Hustler Turf Equipment

.....

P.O. Box 7000

...

Hesston, Kansas

.

67062-2097

Table of Contents

Section 1

General Information	1-1
-------------------------------	-----

Section 2

Frame Rivet Nut Installation	2-2
Seat Support Rivet Nut Installation	2-3
Seat Support Rivet Nut Installation—S/N Prior To 08020644.	2-4
Footrest Assembly	2-5

Section 3

Hydraulic System Installation—Air Cooled Engines (Non HT)	3-2
Hydraulic System Installation—Air Cooled Engines (Non HT)	3-6

Section 4

Battery Installation.	4-2
Deck Lift Assembly	4-4
Steering Assembly	4-6
Park Brake Assembly	4-8
Steering Sub-Assembly.	4-10
Pump Belt and Pulleys Installation	4-12

Section 5

Kohler 27 HP Engine Installation	5-2
Fuel System	5-6
Instrument Panel Assembly	5-8
Electrical Schematic—Common Air Cooled (799320)	5-10

Section 6

Front Wheel Assembly	6-2
Front Wheel Breakdown—747782	6-4
Optional Semi-Pneumatic Tire/Wheel—789537	6-5
Drive Wheel Assembly	6-6
Anti-Rollover Wheel Assembly	6-7

Section 7

60" Side Discharge Deck Assembly (XR7)	7-2
60" Side Discharge Deck Pulley Assembly (XR7)	7-4
60" Side Discharge Deck Mulch Baffles	7-6
72" Rear Discharge Deck Assy—S/N Higher Than 08090000	7-8
72" Rear Discharge Deck Assy—S/N 08010000–08090000	7-10
72" Rear Discharge Deck Assy—S/N Prior To 08010000	7-12
72" Rear Disch Deck Pulley Assy—S/N Higher Than 08090000	7-14
72" Rear Disch. Deck Pulley Assy—S/N Prior To 08090000	7-18
60" Rear Discharge Deck Assy—S/N 08080000 & Higher	7-20
60" Rear Discharge Deck Assy—S/N 08010000—08080000.	7-22
60" Rear Discharge Deck Assy—S/N Prior To 08010000	7-24
60" Rear Disch. Deck Pulley Assy—S/N 08080000 & Higher.	7-26
60" Rear Disch. Deck Pulley Assy-S/N 08010000–08080000	7-28
Spindle Assembly—796235	7-30

Spindle Assembly—796680	7-31
-----------------------------------	------

Section 8

Deck Installation	8-2
60" Side Discharge Belt Routing and Tensioning	8-4
72" & 60" Rear Discharge Belt Routing and Tensioning	8-5
72" & 60" Rear Disch. Belt Routing and Tensioning	8-6
Seat Installation—S/N Higher Than 08010004	8-8
Seat Installation—S/N Prior To 08010004	8-10
ROPS Installation	8-12

Section 9

Mower Decals	9-2
60" Side Discharge Deck Decals(XR7)	9-4
72" Rear Discharge Deck Decals	9-5
60" Rear Discharge Deck Decals	9-6
Assembly Pictures and Aids	10-2

Section 1

General Information

This Manual covers Hustler XR7 Super Z models: **927467CE, 927624CE, 927988CE** with serial numbers higher than 07020000.

Frequently Ordered Parts

PART NO.	DESCRIPTION
783936	Hydraulic Oil Filter
781443	Pump Drive Belt
794685	Blade, F20.50"-H-F-CW (60" Side Discharge Deck)
796508	Blade, F23.86"-L-F-CCW (72" Rear Discharge Deck)
795633	Blade, F20.50"-L-F-CCW (60" Rear Discharge Deck)
797720	Belt, B-Section (60" Side Discharge Deck)
797167	Belt, 72" Rear Discharge Deck
795781	Belt, 60" Rear Discharge Deck
068478	Fuel Filter
785261	Main Air Filter Element
785279	Safety Air Filter Element
747303	Kohler Engine Oil Filter

Service Literature

PART NO.	DESCRIPTION
799411CE	Owner's Manual
742684	Kohler Engine Owner's Manual

Note: When ordering parts, you must use the part number as shown for each part, not the index number. Always give the model and serial number to your parts and service representative.

Note: Items sold in bulk such as seals and hoses are sold by the foot.

Using this manual

Illustrations used were current at the time of printing, but subsequent production changes may cause your machine to vary slightly in detail. Excel Industries, Inc. reserves the right to redesign and change the machine as deemed necessary, without notification. If a change has been made to your machine which is not reflected in this parts manual, see your Hustler dealer for current information and parts.

Hardware Description Codes & Abbreviations

The following codes are used throughout this parts manual. Refer to this list when ordering parts.

ABBREVIATION	DESCRIPTION	ABBREVIATION	DESCRIPTION
CB	Carriage Bolt	MB	Machine Bushing
CE	Clevis Pin	MS	Machine Screw
CP	Cotter Pin	NT	Nut
CS	Cap Screw	SC	Self Tapping Cap Screw
CW	Cup Washer	SH	Socket Head
FDRW	Fender Washer	SB	Shoulder Bolt
FW	Flat Washer	SS	Set Screw
HX	Hex Head	OD	Outside Diameter
LW	Lock Washer	ID	Inside Diameter

Standard Torques

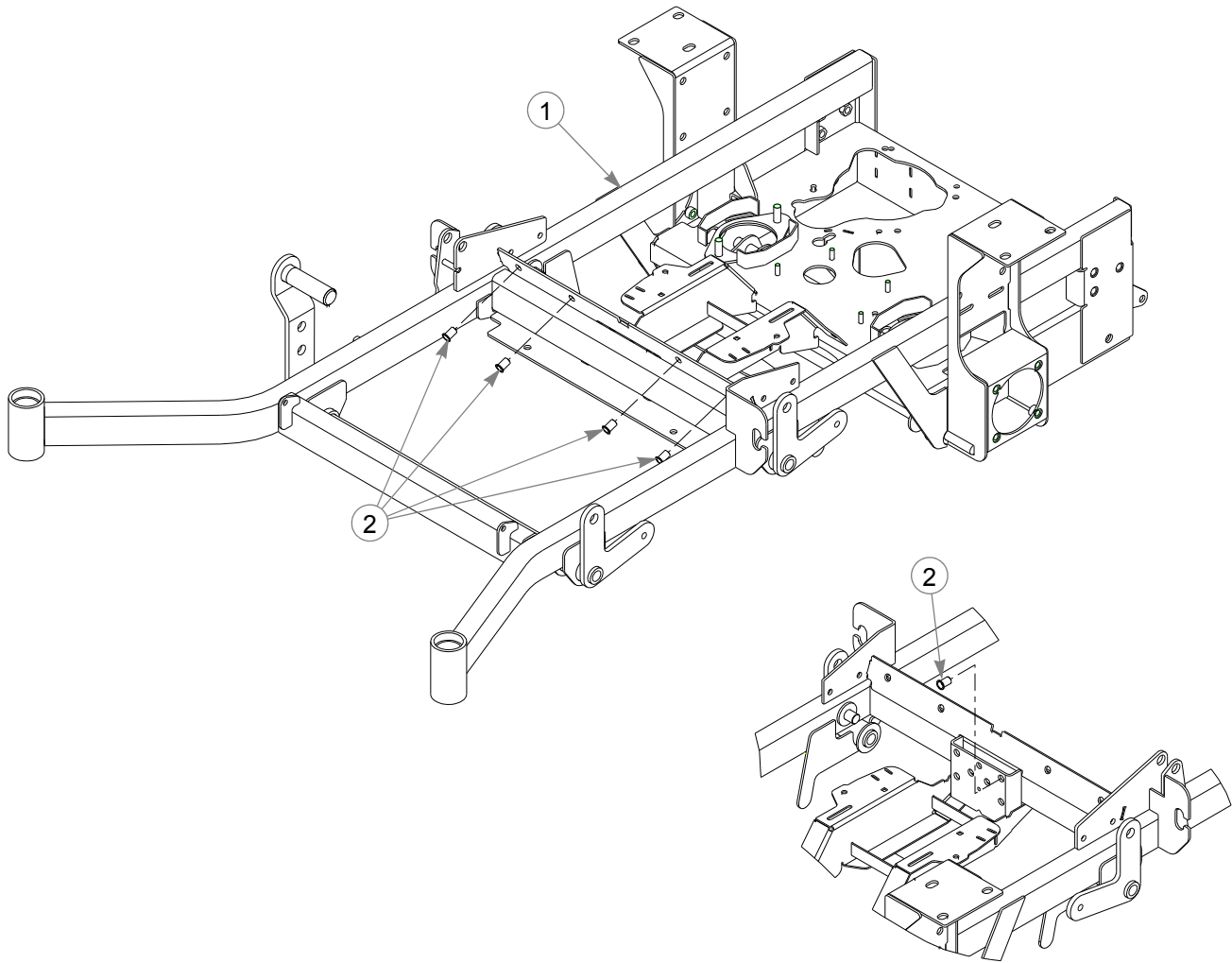
The following chart lists the standard torque values for the threaded fasteners found in this manual. Torque all cap screws, nuts and set screws to these values unless a different torque is shown in the Notes section next to the fastener.

SIZE	FT-LBS	NM	SIZE	FT-LBS	NM
.250	8.2	11.1	M3	1	1.3
.312	17	23	M4	2.2	3
.375	30	40	M5	4.5	6.1
.438	48	65	M6	7.7	10.4
.500	73	99	M8	18.5	25
.562	105	143	M10	37	50
.625	145	200	M12	64	87
.750	260	350	M14	80	108.5
.875	420	565	M16	160	215
1.00	625	850	M20	320	435
			M24	555	750

Section 2

Frame Rivet Nut Installation	2-2
Seat Support Rivet Nut Installation	2-3
Seat Support Rivet Nut Installation—S/N Prior To 08020644	2-4
Footrest Assembly	2-5

Frame Rivet Nut Installation

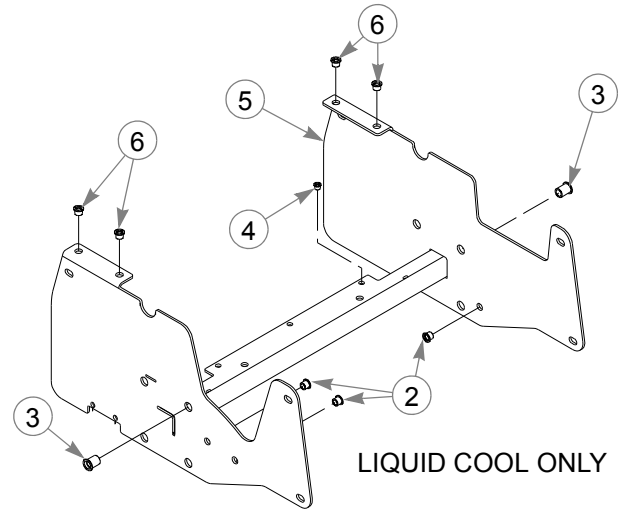
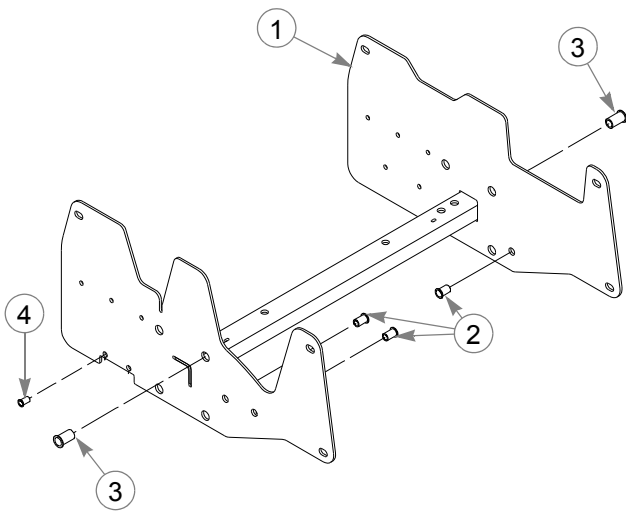


INDEX NO.	SERVICE PART NO.	MFG. PART NO.	QTY.	DESCRIPTION
1	547786	352278	1	MOWER FRAME (60")
	547984	107616	1	MOWER FRAME (72")
	548016	100412	1	60" RD MOWER FRAME
	548024	101808	1	72" RD MOWER FRAME
2	N/A	808493	10	3/8-16 THREAD RIVET NUT

NOTES:

Seat Support Rivet Nut Installation

1 2

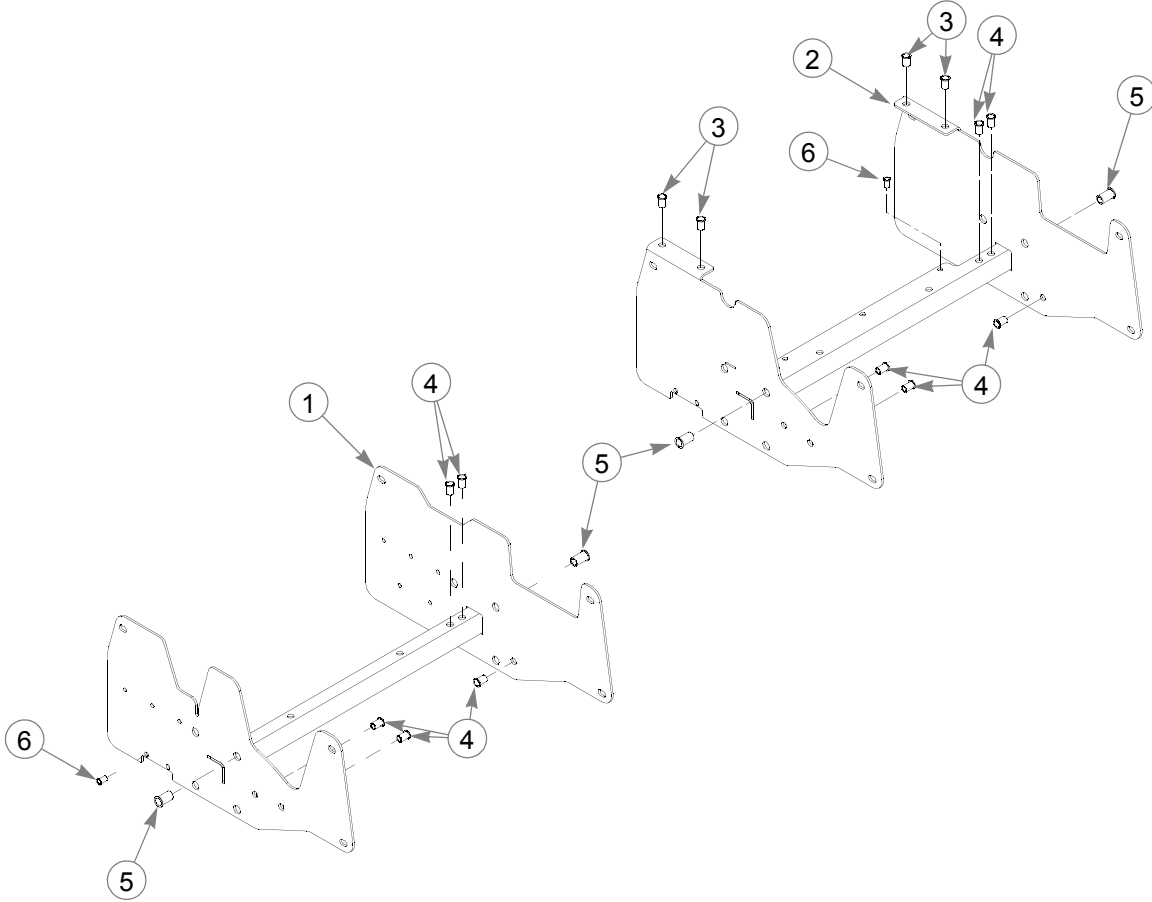


INDEX NO.	SERVICE PART NO.	MFG. PART NO.	QTY.	DESCRIPTION
2 1	547950	106732	1	XR7 MMZ SEAT SUPPORT
2 2	N/A	808493	3	3/8-16 THREAD RIVET NUT (FOR AIR COOLED)
3	N/A	600961	8	1/2-13 THREAD RIVET NUT (PER EACH SUPPORT)
2 4	N/A	808477	2	1/4-20 THREAD RIVET NUT (KAWASAKI AIR COOLED ONLY) EXCEPT KAW 31

NOTES:

1. Used only on mowers with liquid cooled engines, serial numbers higher than 08012250 (service part includes rivet nuts).
2. Used on all mowers with air cooled engines, serial numbers higher than 08020644 (service part includes rivet nuts).

Seat Support Rivet Nut Installation—S/N Prior To 08020644

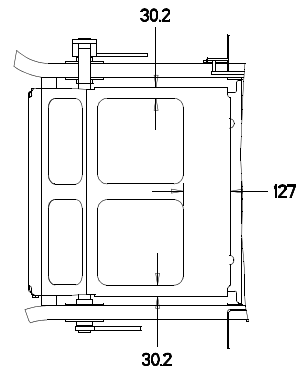
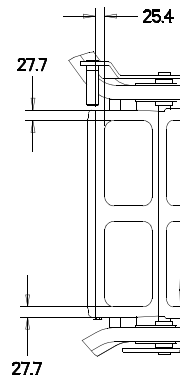
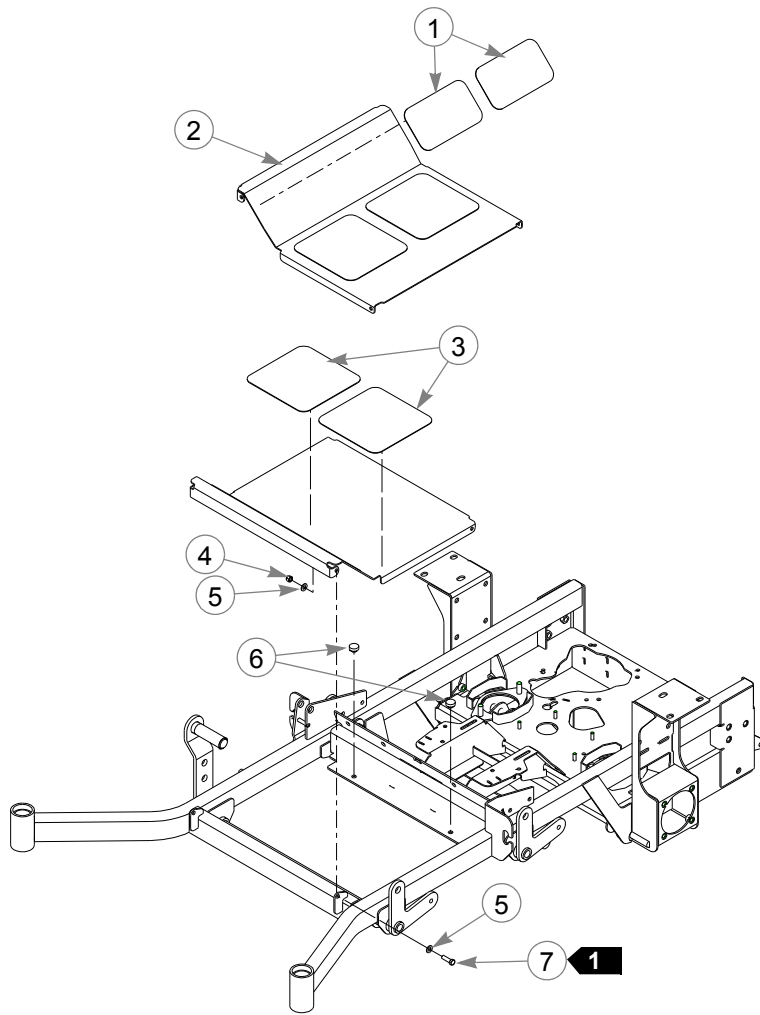


INDEX NO.	SERVICE PART NO.	MFG. PART NO.	QTY.	DESCRIPTION
1	547950	106732	1	XR7 MMZ SEAT SUPPORT
2	547968	348615	1	26HP KAWASAKI SEAT SUPPORT
2	N/A	808485	4	5/16-18 THREAD RIVET NUT (KAWASAKI LIQUID COOLED ONLY)
1	N/A	808493	5	3/8-16 THREAD RIVET NUT (FOR AIR COOLED)
2	N/A	808493	5	3/8-16 THREAD RIVET NUT (FOR LIQUID COOLED)
5	N/A	600961	8	1/2-13 THREAD RIVET NUT (PER EACH SUPPORT)
6	N/A	808477	2	1/4-20 THREAD RIVET NUT (KAWASAKI AIR COOLED ONLY) EXCEPT KAW 31
2	N/A	808477	3	1/4-20 THREAD RIVET NUT (KAWASAKI LIQUID COOLED ONLY)

NOTES:

1. Used on all mowers with air cooled engines, serial numbers prior to 08020644 (service part includes rivet nuts).
2. Used only on mowers with liquid cooled engines, serial numbers prior to 08012250 (service part includes rivet nuts).

Footrest Assembly



INDEX NO.	SERVICE PART NO.	MFG. PART NO.	QTY	DESCRIPTION
1	359547	359547	2	STEP TREAD
2	395533	395533	1	FLOOR
3	305615	305615	2	PLATFORM STEP TREAD
4	086660	086660	2	NT .375-16 HX LK NY
5	767954	767954	4	FW .406 X .812 X .060 SAE HD ZN
6	781880	781880	2	RUBBER BUMPER
7	052860	052860	2	CS .375-16 X 1.250 HX G5 ZN

NOTES:

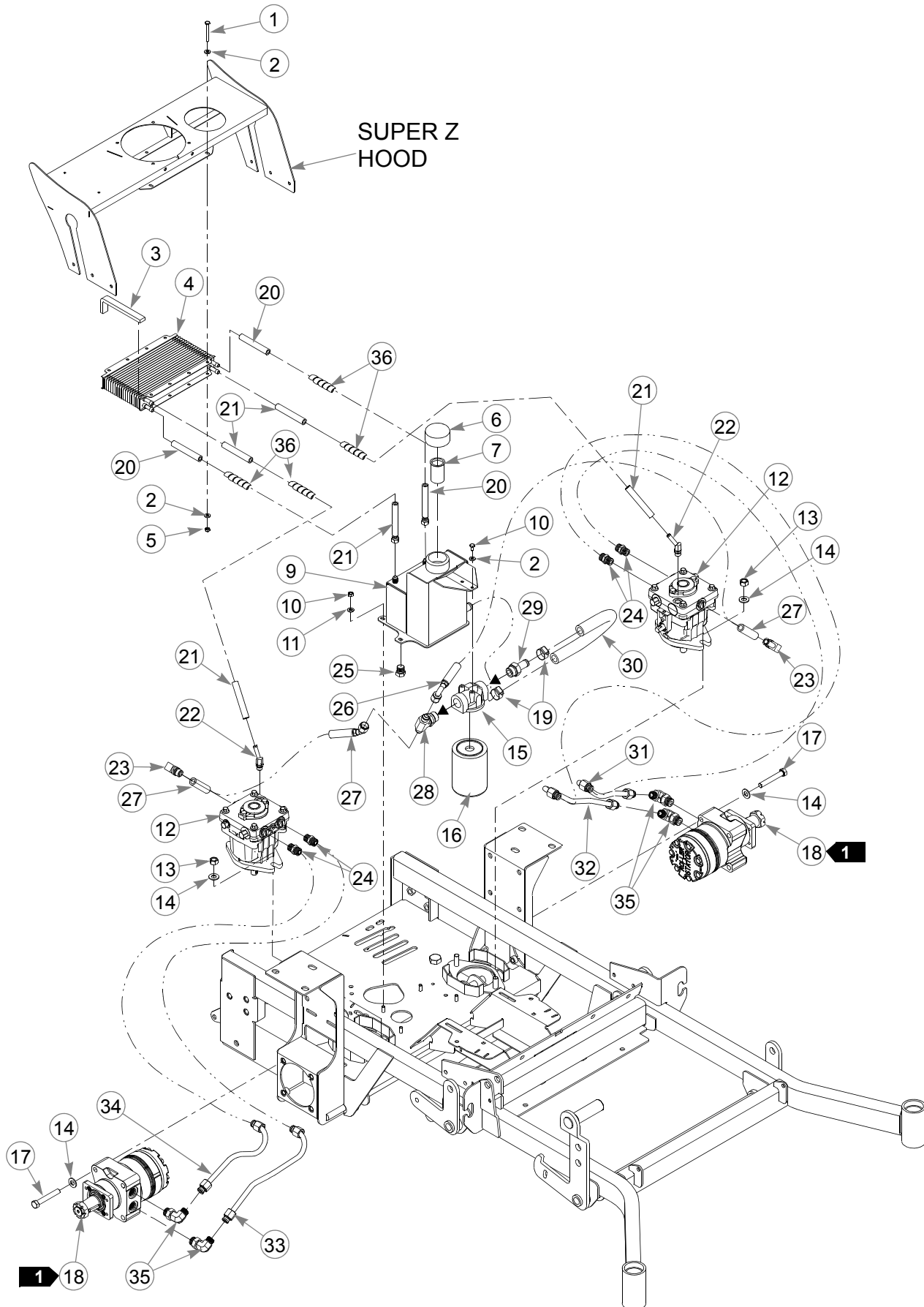
- Do not tighten, Item 2 (395533 Floor) must be able to pivot on these bolts.

Section 3

Hydraulic System Installation–Air Cooled Engines (Non HT) 3-2

Hydraulic System Installation–Air Cooled Engines (Non HT) 3-6

Hydraulic System Installation—Air Cooled Engines (Non HT)



Hydraulic System Installation–Air Cooled Engines (Non HT)

INDEX NO.	SERVICE PART NO.	MFG. PART NO.	QTY	DESCRIPTION
1	705608	705608	4	CS .250-20 X 2.25 HX G5 ZNYC
2	768515	768515	10	FW .281 X .625 X .051/.080 HD ZNYC
3	713198	713198	2	SEAL 3/8 X 3/4 X 7.25" LONG
4	601677	601677	2	OIL COOLER
5	068551	068551	4	NT .250-20 HX NL ZNYC
6	032763	032763	1	BREATHER CAP
7	032771	032771	1	STRAINER
8	055947	055947	2	CS .250-20 X .50 HX G5 ZNYC
9	357616	357616	1	SUPER Z RESERVOIR
10	034272	034272	4	NT .312-18 HX G5 ZNYC
11	768523	768523	4	FW .343 X .687 X .051/.080 HD ZNYC
12	788042	788042	2	PUMP, HYDRO-GEAR BDP-21L-408
13	008193	008193	4	NT .500-13 HX G5 ZNYC
14	767962	767962	12	FW .531 X 1.063 X .090 SAE HD ZN
15	783928	783928	1	ZAF SERIES FILTER HEAD
16	783936	783936	1	FILTER ELEMENT
17	077859	077859	8	CS .500-13X3.250 HX G5
18	601220	601220	2	MOTOR, WHITE RC18 CCW
19	700484	700484	2	HOSE CLAMP
20	784132	N/A	2	RETURN HOSE ASSY, #6 17.375" LONG
21	784124	N/A	2	RETURN HOSE, #6 16.5" LONG
22	784108	N/A	2	FITTING, #6 BEADED TUBE-ORB 45°
23	784082	N/A	2	FITTING, #8 BEADED TUBE-ORB 90°
24	781534	N/A	4	FITTING, STR-8MORB/-8MSL
25	781658	N/A	1	HEX PLUG FITTING, STR-8MORB
26	784025	N/A	1	SUCTION HOSE ASSY, FILTER-PUMP
27	783993	N/A	1	SUCTION HOSE, TANK-FILTER
28	788174	N/A	1	FITTING, T -8MJIC/8MJIC
29	783985	N/A	1	FITTING, 10 FX05-S
30	784116	N/A	1	SUCTION HOSE, #12 16" LONG
31	601286	N/A	1	TUBE, LP-TM LT LOOP
32	601287	N/A	1	TUBE, RP-BM LT LOOP
33	601285	N/A	1	TUBE, LP-BM RT LOOP
34	601284	N/A	1	TUBE, RP-TM RT LOOP
35	781526	N/A	4	FITTING, 90-10MORB/-8MSL
36	601509	N/A	4	HOSE GUARD

NOTES:

1. Parker Wheel Motor Kits are available as an option instead of White Wheel Motors for repair. Please reference "Service Bulletin 513 – Parker Wheel Motor Kits" for more information.
2. For mowers with serial numbers higher than 07040104.
3. Hydraulic system capacity is 5 US quarts of 20W50 motor oil. Fill reservoir to within 1" of top of Item 8 (032771 Strainer).

HYDRAULIC SYSTEM CHARGING PROCEDURE

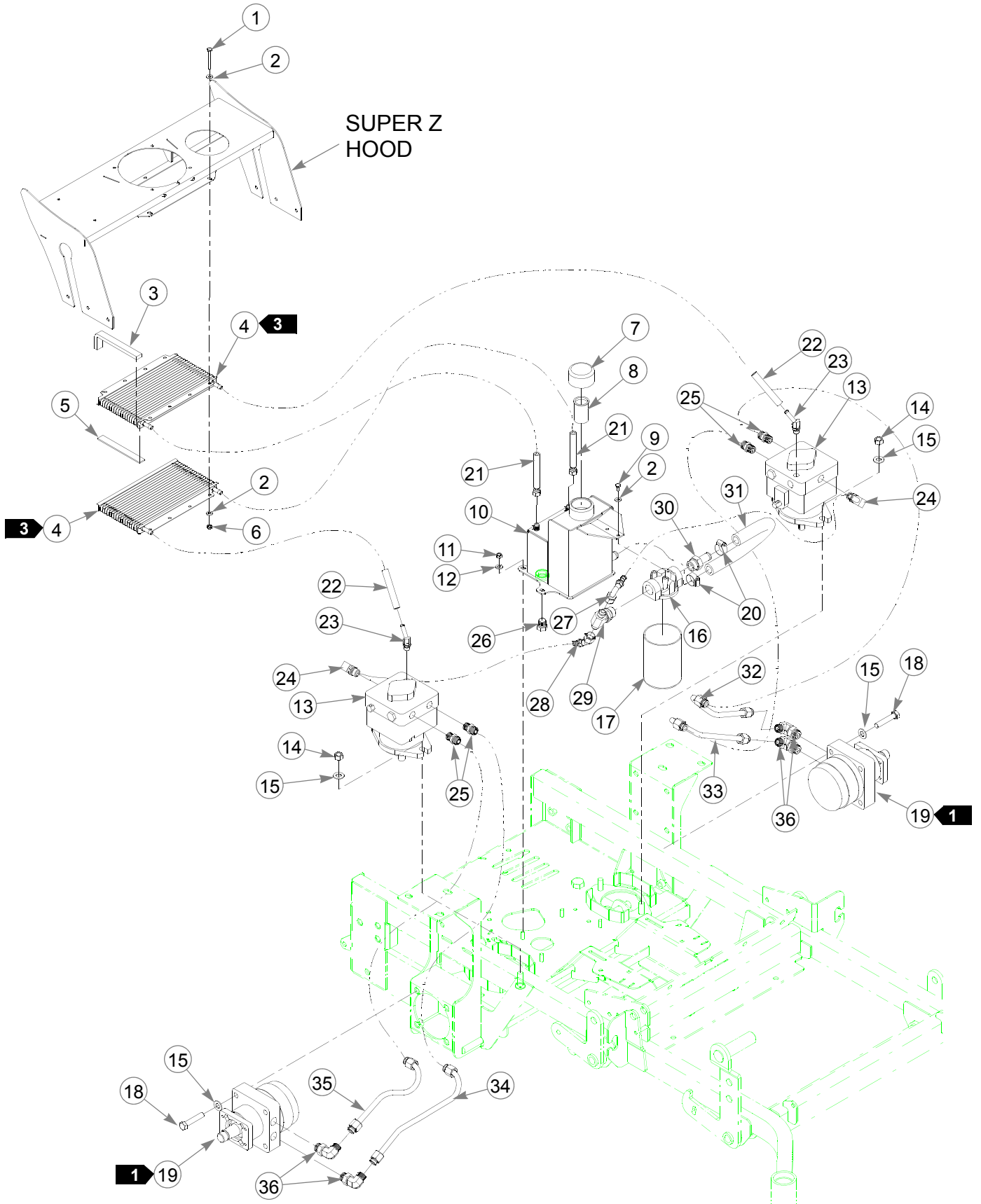
1. Set handles in the neutral position.
2. Start engine at idle.
3. Let run for a minimum of 30 seconds.
4. Stroke handles to forward position.
5. If motors do not turn in 15 seconds return handles to neutral and repeat step 3 and 4 (one time).
6. If motors do not turn after second attempt, shut off the engine and check for oil at the pump.
7. Increase throttle to half speed and work handles through forward and reverse position until the motor operates smoothly throughout the entire speed range.

Note:

Seal Kit for hydraulic pump; 784983 (BDP21L Overhaul Seal Kit).

This page intentionally left blank.

Hydraulic System Installation—Air Cooled Engines (Non HT)



Hydraulic System Installation–Air Cooled Engines (Non HT)

INDEX NO.	SERVICE PART NO.	MFG. PART NO.	QTY	DESCRIPTION
1	705608	705608	4	CS .250-20 X 2.25 HX G5 ZNYC
2	768515	768515	10	FW .281 X .625 X .051/.080 HD ZNYC
3	713198	713198	2	SEAL 3/8 X 3/4 X 7.25" LONG
4	601677	601677	1	OIL COOLER
5	N/A	N/A	N/A	WEATHERSTRIP 1/8 X 3/4 X 5.88" LONG
6	068551	068551	4	NT .250-20 HX NL ZNYC
7	032763	032763	1	BREATHER CAP
8	032771	032771	1	STRAINER
9	055947	055947	2	CS .250-20 X .50 HX G5 ZNYC
10	357616	357616	1	SUPER Z RESERVOIR
11	034272	034272	4	NT .312-18 HX G5 ZNYC
12	768523	768523	4	FW .343 X .687 X .051/.080 HD ZNYC
13	788042	788042	2	PUMP, HYDRO-GEAR BDP-21L-408
14	008193	008193	4	NT .500-13 HX G5 ZNYC
15	767962	767962	12	FW .531 X 1.063 X .090 SAE HD ZN
16	783928	783928	1	ZAF SERIES FILTER HEAD
17	783936	783936	1	FILTER ELEMENT
18	077859	077859	8	CS .500 -13 X 3.250 HX G5
19	782383	782383	2	WHITE MOTOR RC18 CCW
20	700484	700484	2	HOSE CLAMP
21	784132	N/A	2	RETURN HOSE ASSY, #6 17.375" LONG
22	784124	N/A	2	RETURN HOSE, #6 16.5" LONG
23	784108	N/A	2	FITTING, #6 BEADED TUBE-ORB 45°
24	784082	N/A	2	FITTING, #8 BEADED TUBE-ORB 90°
25	781534	N/A	4	FITTING, STR-8MORB/-8MSL
26	781658	N/A	1	HEX PLUG FITTING, STR-8MORB
27	784025	N/A	1	SUCTION HOSE ASSY, FILTER-PUMP
28	783993	N/A	1	SUCTION HOSE, TANK-FILTER
29	788174	N/A	1	FITTING, T - 8MJIC/8MJIC
30	783985	N/A	1	FITTING, 10 FX05-S
31	784116	N/A	1	SUCTION HOSE, #12 16" LONG
32	782870	N/A	1	TUBE, HYDRAULIC LINE
33	782880	N/A	1	TUBE, HYDRAULIC LINE
34	782458	N/A	1	TUBE, HYDRAULIC LINE
35	782441	N/A	1	TUBE, HYDRAULIC LINE
36	781526	N/A	4	FITTING, 90-10MORB/-8MSL

NOTES:

1. Parker Wheel Motor Kits are available as an option instead of White Wheel Motors for repair. Please reference "Service Bulletin 513 – Parker Wheel Motor Kits" for more information.
2. For mowers with serial number prior to 07040104.
3. The single oil cooler (601677) replaces the two coolers shown. See "Hydraulic System Installation–Air Cooled Engines (Non HT)" on page 3-2 for current set up.

-
4. Hydraulic system capacity is 5 US quarts of 20W50 motor oil. Fill reservoir to within 1" of top of Item 8 (032771 Strainer).

HYDRAULIC SYSTEM CHARGING PROCEDURE

1. Set handles in the neutral position.
2. Start engine at idle.
3. Let run for a minimum of 30 seconds.
4. Stroke handles to forward position.
5. If motors do not turn in 15 seconds return handles to neutral and repeat step 3 and 4 (one time).
6. If motors do not turn after second attempt, shut off the engine and check for oil at the pump.
7. Increase throttle to half speed and work handles through forward and reverse position until the motor operates smoothly throughout the entire speed range.

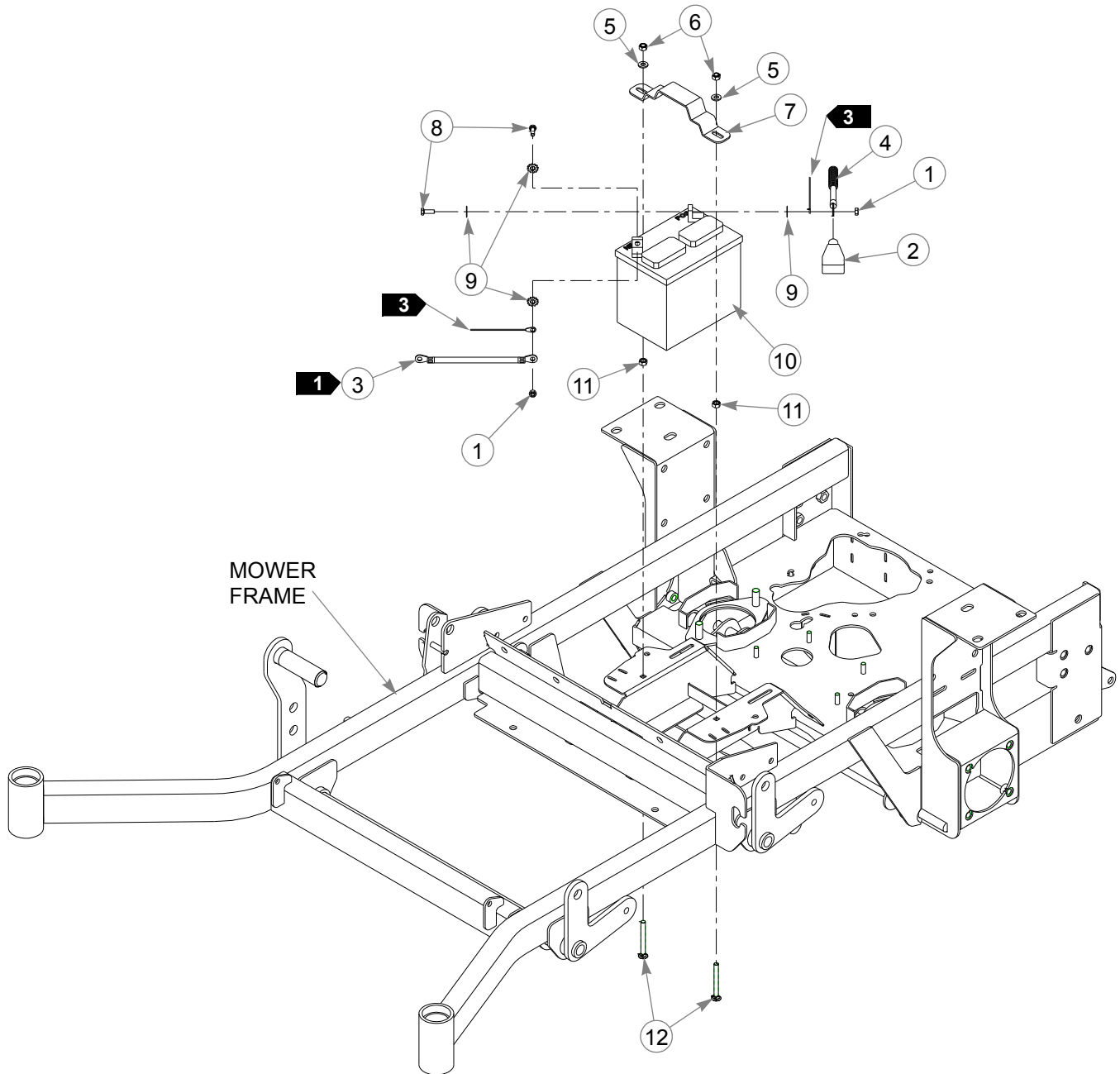
Note:

Seal Kit for hydraulic pump; 784983 (BDP21L Overhaul Seal Kit).

Section 4

Battery Installation	4-2
Deck Lift Assembly	4-4
Steering Assembly	4-6
Park Brake Assembly	4-8
Steering Sub-Assembly	4-10
Pump Belt and Pulleys Installation	4-12

Battery Installation



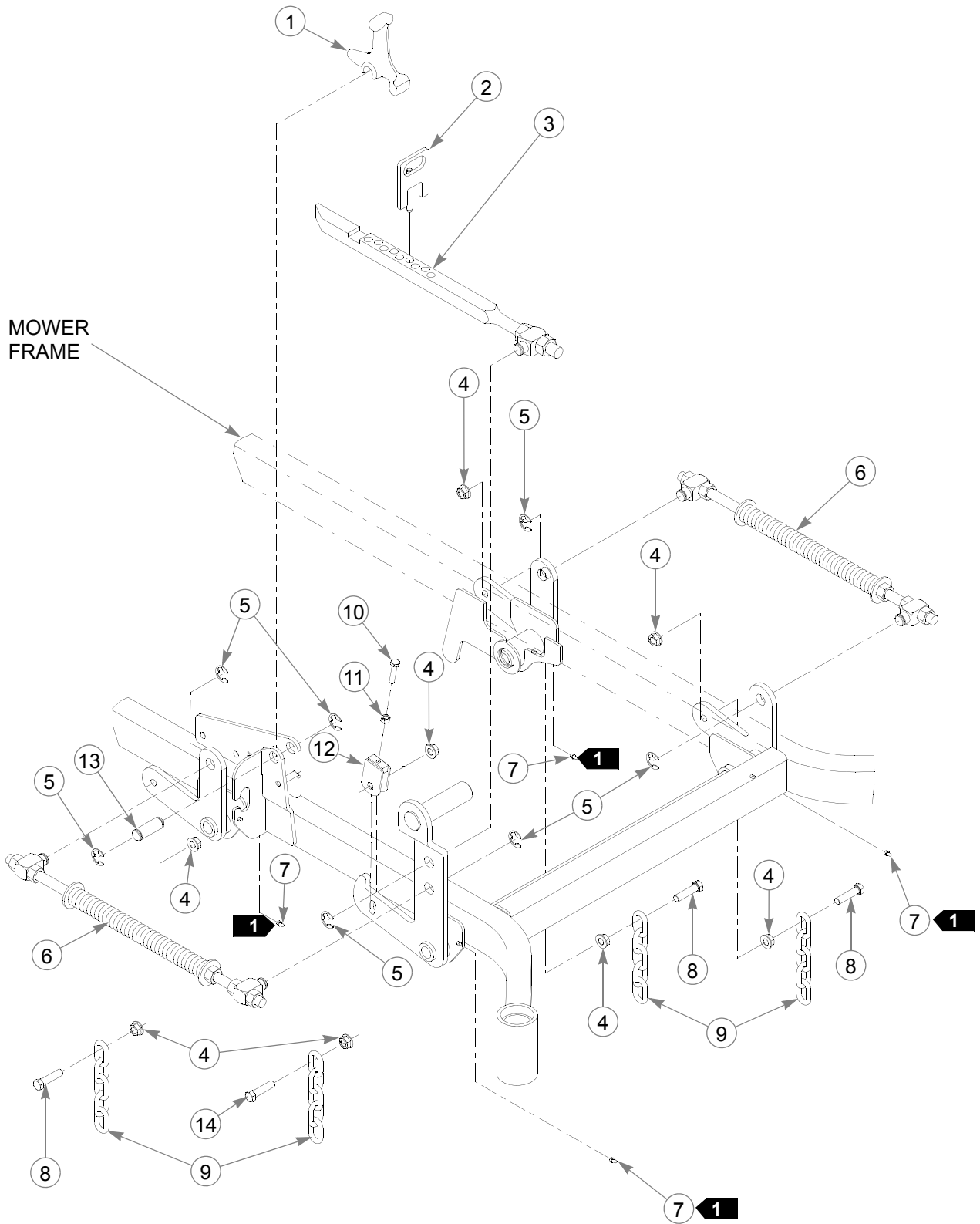
Battery Installation

ITEM NO.	SERVICE PART NO.	MFG. PART NO.	QTY	DESCRIPTION
1	024927	024927	2	NT .250-20 HX GR 5 ZN
2	771428	771428	1	RED BATTERY CABLE BOOT
3	796219	796219	1	36" NEGATIVE BATTERY CABLE
4	744276	744276	1	POSITIVE BATTERY CABLE
5	768523	768523	2	FW .343 X .687 X .051/.080 HD ZNYC
6	058776	058776	2	NT .312-18 HX NL ZN
7	348417	348417	1	BATTERY CLAMP STRAP
8	055939	055939	2	CS .250-20 X .750 HX G5 ZN
9	029868	029868	4	LW .250 INT-EXT TOOTH ZN
10	740696	740696	1	BATTERY
11	034272	034272	2	NT .312-18 HX G5 ZN
12	779850	779850	2	CB .312-18 X 3.00 FUL ZN

NOTES:

1. When performing service on mower, disconnect battery ground cable and do not reconnect to battery until engine is ready to be started. See Owners Manual.
2. Battery is not installed in export models.
3. Part of wireharness.

Deck Lift Assembly



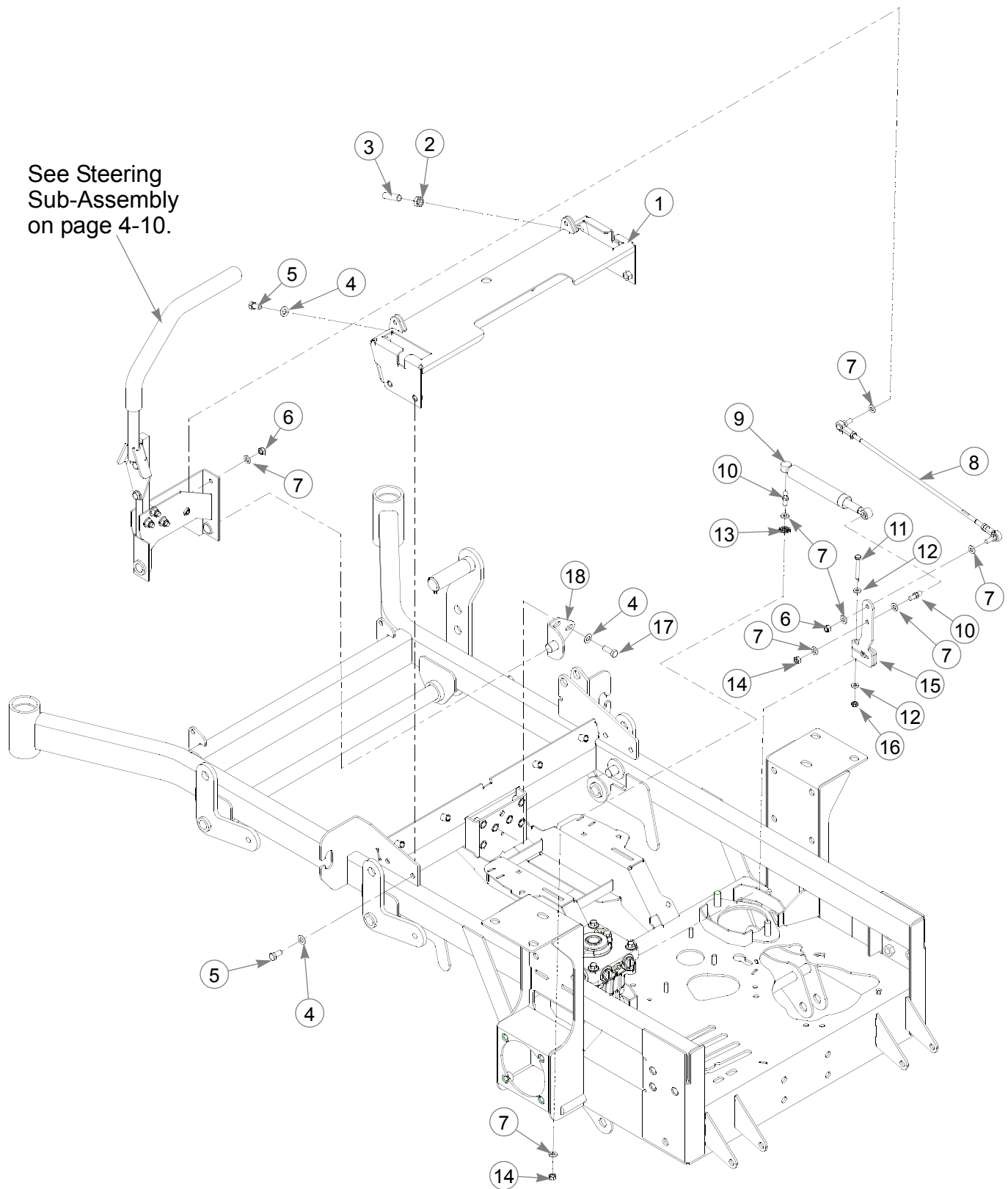
Deck Lift Assembly

INDEX NO.	SERVICE PART NO.	MFG. PART NO.	QTY	DESCRIPTION
1	348318	348318	1	STOP HANDLE
2	600437	600437	1	DECK HEIGHT W/A 1/2" PIN
3	783001	783001	1	DECK LIFT INDICATOR
4	704643	704643	8	NT .437-14 HX FLG ZN
5	781294	781294	7	CLIP E, 1.00 X .625 X .050
6	782995	782995	2	DECK LIFT SPRING ASSEMBLY
7	015495	015495	4	STRAIGHT GREASE FITTING
8	055749	055749	3	CS .437-14 X 1.750 HX G5 ZNYC
9	348391	018846	4	DECK LIFT CHAIN (5 LINKS)
10	756270	756270	1	CS .312-18 X 1.50 FLTHR GR5 ZNYC
11	034272	034272	1	NT .312-18 HX G5 ZNYC
12	348458	348458	1	DECK LEVELER YOKE W/A
13	781229	781229	1	CE .750 X 2.25 X 1.75 HEADLESS
14	781831	781831	1	CS .437-14 X 1.750 FULTH G5 ZNYC

NOTES:

1. Apply grease to zerks (see owners manual).

Steering Assembly



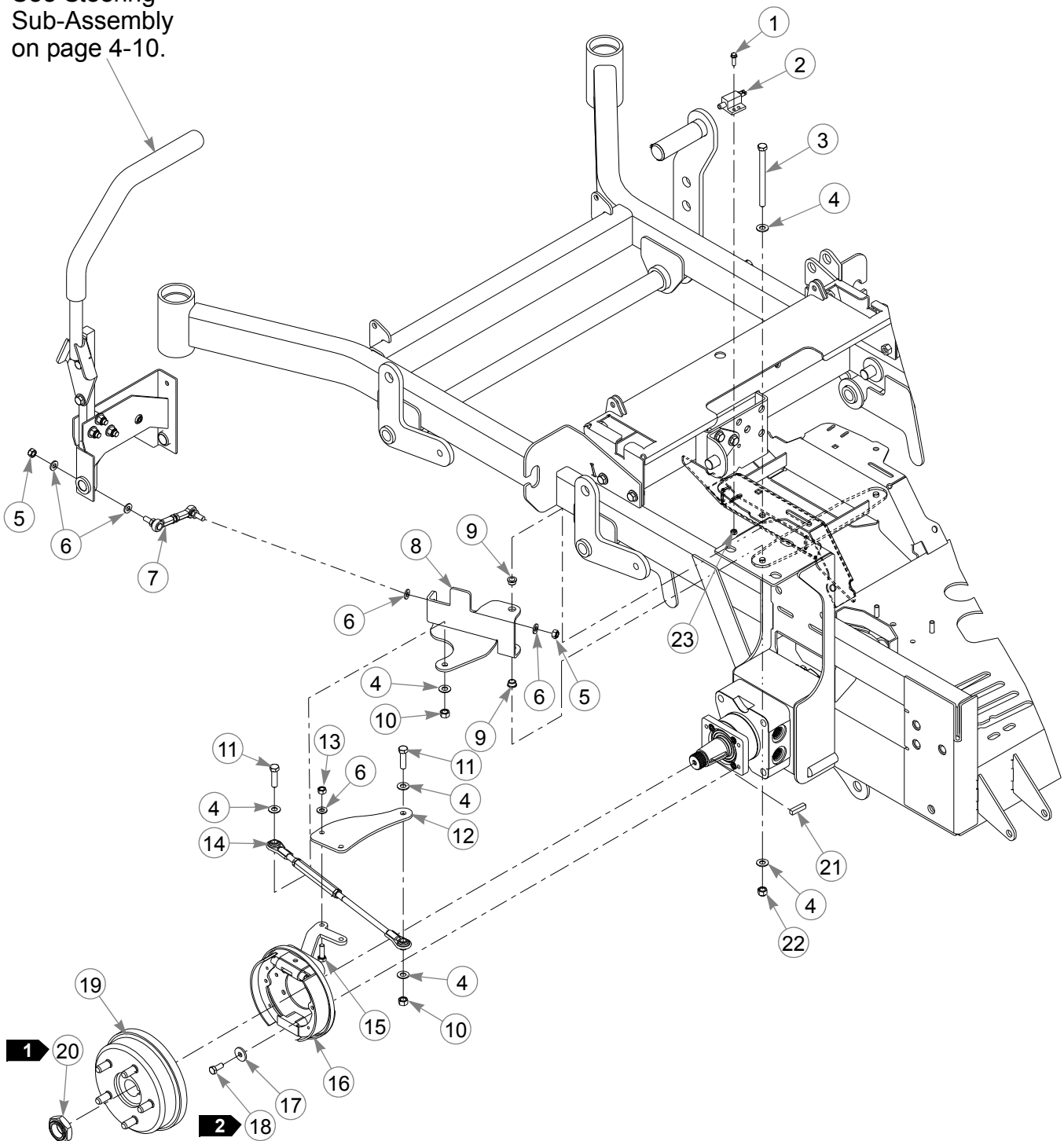
Steering Assembly

ITEM NO.	SERVICE PART NO.	MFG. PART NO.	QTY	DESCRIPTION
1	348987	348987	1	STEERING CONTROL PANEL
2	053199	053199	2	NT .500-13 HX JAM ZN
3	781716	781716	2	SS .500-13 X 1.75 SH ZN
4	767954	767954	14	FW .406 X .812 X .060 SAE HD ZN
5	055822	055822	8	CS .375-16 X .750 HX G5 ZN
6	023655	023655	4	NT .312-24 HXZY NL
7	768523	768523	16	FW .34 3X .687 X .051/.080 HD ZN/YL
8	781286	781286	2	PUMP ROD ADJUSTER ASSEMBLY
9	600221	600221	2	CENTERING DAMPENER
10	781922	781922	4	DAMPENER BALL STUD
11	704163	704163	2	CS .250-20 X 2.00 HX G5 ZN
12	768515	768515	4	FW .281 X .625 X .051/.080 HD ZN/YL
13	029876	029876	2	LW .312 INT-EXT TOOTH Z
14	034272	034272	4	NT .312-18 HX G5 ZN
15	347684	347684	2	SUPER Z PUMP ARM
16	781583	781583	2	BRAKE ROD ASSEMBLY
17	036244	036244	6	CS .375-16 X 1.000 HX G5 ZN
18	348797	348797	2	ADJUSTABLE PIVOT

NOTES:

Park Brake Assembly

See Steering
Sub-Assembly
on page 4-10.



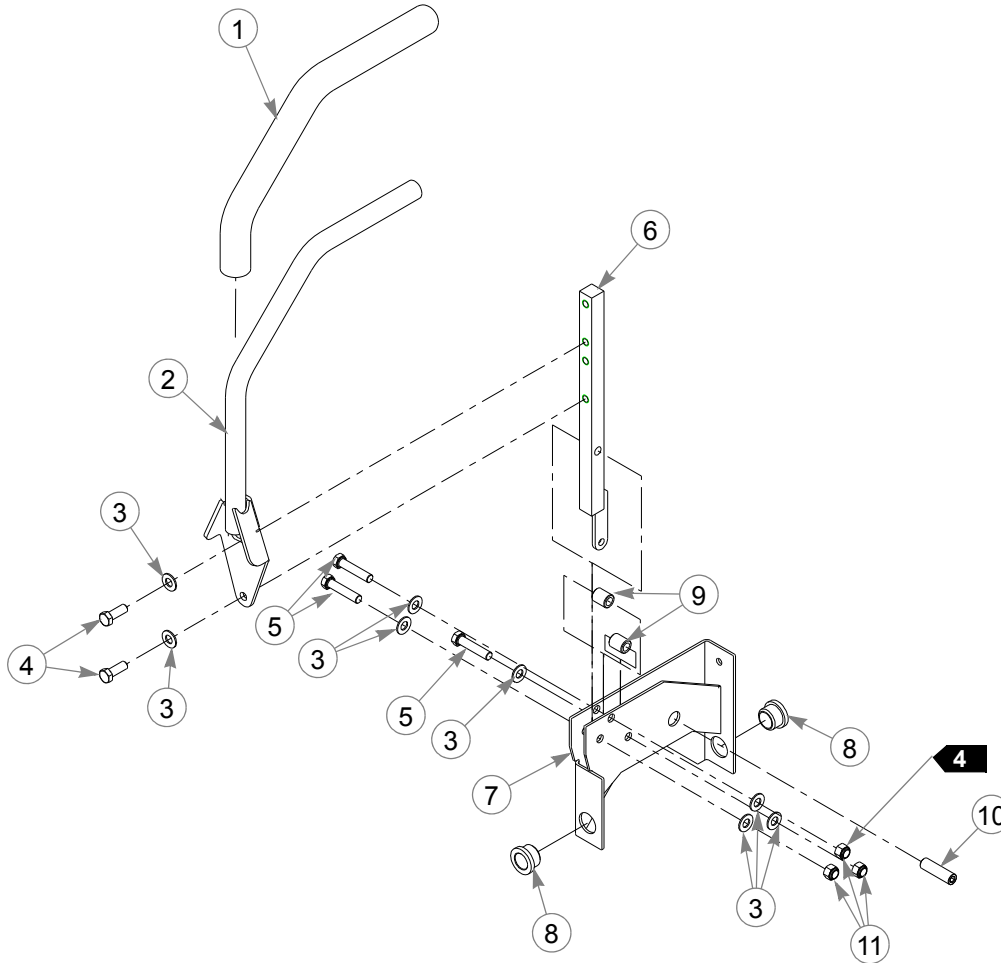
Park Brake Assembly

ITEM NO.	SERVICE PART NO.	MFG. PART NO.	QTY	DESCRIPTION
1	063198	063198	4	CS 10-24 X .750 HXFLK ZN
2	781211	781211	2	PUSH BUTTON SWITCH
3	782979	782979	2	CS .375-16 X 4.75 HX G5 ZN
4	767954	767954	12	FW .406 X .812 X .060 SAE HD ZN
5	023655	023655	4	NT .312-24 HXZY NL
6	768523	768523	12	FW .34 3X .687 X .051/.080 HD ZN/YL
7	781583	781583	2	BRAKE ROD ASSEMBLY
8	350330	350330	1	L.S. BRAKE PIVOT ARM
	350264	350264	1	R.S. BRAKE PIVOT ARM
9	765339	765339	4	BUSHING
10	054502	054502	4	NT .375-16 HX GRD 5 ZN
11	005116	005116	4	CS .375-16 X 1.375 HX G5 ZN
12	354035	354035	2	WHITE BRAKE LEVER EXTENSION
13	034272	034272	4	NT .312-18 HX G5 ZN
14	350397	350397	2	BRAKE LINK TURNBUCKLE
15	036236	036236	4	CS .312-18 X 1.000 HX G5 ZN
3	783126	783126	1	LH WHITE BRAKE ASSY
4	783118	783118	1	RH WHITE BRAKE ASSY
17	712927	712927	8	FW .344 X 1.00 X .12 HRD ZNYC
18	048876	048876	8	CS .312-18 X .750 HX G8 ZNYC
5	789321	789321	2	WHITE HUB ASSEMBLY
	782953	N/A	2	WHITE HUB ASSEMBLY
5	789644	N/A	2	NUT FOR WHITE MOTOR
	783845	N/A	2	NUT FOR WHITE MOTOR
21	601344	N/A	2	KEY FOR WHITE MOTOR
22	086660	086660	8	NT .375-16 HX LK NY
23	059832	059832	4	NT #10-24 HX NL ZN

NOTES:

1. Torque to 379.6- 420.3 N-m. Included with wheel motor.
2. Torque to 32.5 N-m.
3. 783126 used on left wheel.
4. 783118 used on right wheel.
5. For mowers with serial numbers prior to 07040000 use 782953 and 783845. For mowers with serial numbers higher than 07040000 use 789321) and 789644.

Steering Sub-Assembly



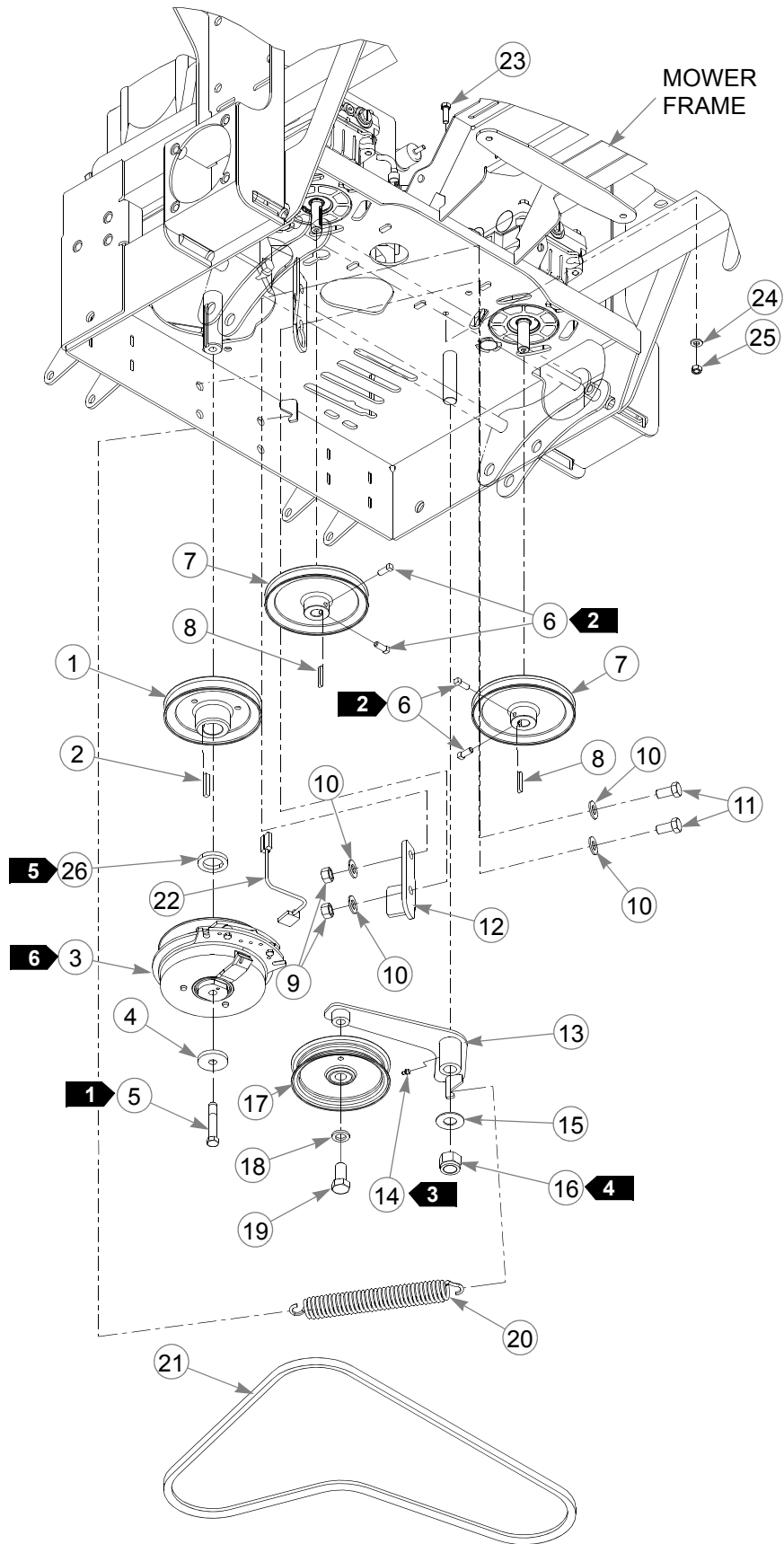
ITEM NO.	SERVICE PART NO.	MFG. PART NO.	QTY	DESCRIPTION
1	781260	N/A	2	STEERING BAR GRIP
1	348755	348755	2	STEERING BAR
3	767954	767954	16	FW .406 X .812 X .060 SAE HD ZN
4	036244	036244	4	CS .375-16 X 1.000 HX G5 ZN
5	705178	705178	6	CS .375-16 X 1.750 HX G5 ZN
6	348946	348946	2	STEERING ARM MOUNT
7	348888	348888	1	STEERLEVER SUPPORT LH
	348714	348714	1	STEERLEVER SUPPORT RH (NOT SHOWN)
8	781153	781153	4	BUSHING
9	348862	348862	4	STEERLEVER BUSHING
10	781716	781716	2	SS .500-13 X 1.75 SH ZN
11	086660	086660	6	NT .375-16 HX LK NY

NOTES:

1. Includes Item 1 (781260 Steering Bar Grip).

This page intentionally left blank.

Pump Belt and Pulleys Installation



Pump Belt and Pulleys Installation

	INDEX NO.	SERVICE PART NO.	MFG. PART NO.	QTY	DESCRIPTION
8	1	601462	601462	1	SUPER Z SINGLE ENGINE PULLEY
7		783761	N/A	1	SUPER Z SINGLE ENGINE PULLEY
	2	212076	212076	1	KEY 1/4 SQ X 1.50 LONG
	3	601311	601311	1	CMS-200 WARNER CLUTCH
	4	783829	783829	1	FW .460 X 1.750 X .250 ZNYC
	5	785659	785659	1	CS .437-20 X 2.50 HX G5 ZNYC
	6	083196	083196	4	SS .312 -18X .750 SQ-HD ZN
8	7	601461	601461	2	PULLEY FOR BDP-21
7		782466	N/A	2	PULLEY & FAN FOR BDP-21
	8	783712	783712	2	KEY FOR BDP21L
	9	008193	008193	2	NT .500-13 HX G5 ZNYC
	10	767962	767962	4	FW .531 X 1.063 X .090 SAE HD ZN
	11	705954	705954	2	CS .500 -13 X 1.25 HX G5 ZNYC
	12	366765	366765	1	CLUTCH ANCHOR ANGLE
	13	349761	349761	1	PUMP IDLER ARM
	14	015495	015495	1	STRAIGHT GREASE FITTING
	15	025296	025296	1	FW .760 X 1.625 X .08 ZN
	16	061101	061101	1	NT .750 -10 HX NL ZN
	17	781856	781856	1	IDLER PULLEY
	18	028118	028118	1	FW .62 X 1.00 X.134 ZN
	19	781872	781872	1	CS .625 -11 X 1.25 HX G5 ZN
	20	601016	601016	1	IDLER SPRING
8	21	601463	601463	1	A SEC PUMP IDLER BELT 66.98" EL
7		781443	N/A	1	A - SEC PUMP IDLER BELT
	22	791251	791251	1	CLUTCH PIGTAIL HARNESS WITH DIODE
	23	036236	036236	1	CS .312 -18 X 1.00 HX G5 ZNYC
	24	768523	768523	1	FW .343 X .687 X .051/.080 HD ZNYC
	25	034272	034272	1	NT .312 -18 HX G5 ZNYC
	26	797654	797654	1	FW 1.156 X 1.750X.250 ZY (31 HP KAWASAKI ONLY)

NOTES:

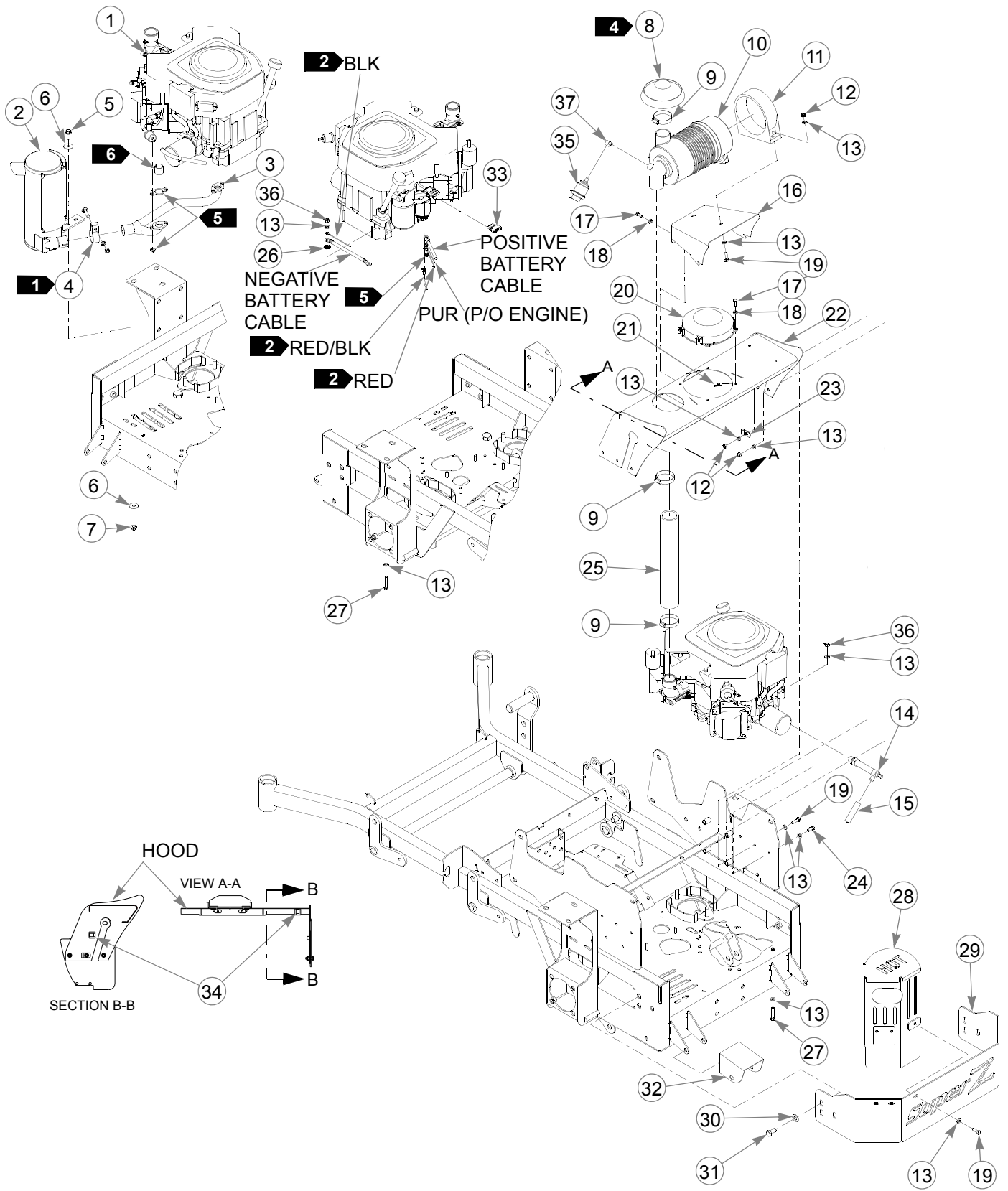
1. Torque bolt to 61-65 N-m. Replace (do not reuse) cap screw if removed or loosened. Use only hand tools to install this fastener.
2. Torque to 16-20 N-m.
3. Apply grease at zerk (see owners manual).
4. Do not torque Item 16 (NT .750-10 HX NL ZN), Item 13 (349761 Pump Idler Arm) should pivot freely.
5. Used with Kawasaki 31 HP engines only.
6. Use 787366 on mowers with S/N prior to 07060569.
7. Used on mowers with serial numbers prior to 10050597.
8. Used on mowers with serial numbers 10050597 and higher.
9. **Electric clutch burnishing procedure:** After installing a new clutch it is

important to burnish the clutch to insure maximum deck clutch life. In an open area with no bystanders set the engine speed to half throttle. Cycle the deck clutch on for 15 seconds, and then off for 15 seconds. Repeat this operation 10 times, it will require about 5 minutes to complete.

Section 5

Kohler 27 HP Engine Installation	5-2
Fuel System	5-6
Instrument Panel Assembly	5-8
Electrical Schematic—Common Air Cooled (799320)	5-10

Kohler 27 HP Engine Installation



Kohler 27 HP Engine Installation

ITEM NO.	SERVICE PART NO.	MFG. PART NO.	QTY	DESCRIPTION
1	788216	788216	1	KOHLER 27HP ENGINE CV740
2	788018	788018	1	MUFFLER
3	788026	788026	1	MUFFLER MANIFOLD
4	785378	785378	1	1.50" MUFFLER CLAMP
5	029751	029751	2	CS .375-16 X 1.00 HXFLK ZNYC
6	705137	705137	4	FW .391 X 1.250 X .060 ZNYC
7	016899	016899	2	NT .375-16 HXFLK ZNYC
8	786673	786673	1	DONALDSON AIR CLEANER CAP
9	057661	057661	3	HOSE CLAMP
10	782763	782763	1	AIR CLEANER
11	785741	785741	1	MOUNTING BAND
12	034272	034272	7	NT .312-18 HX G5 ZN
13	768523	768523	25	FW .343 X .687 X .051/.080 HD ZN/YL
14	796672	796672	1	3/8-18 OIL DRAIN VALVE
15	787713	787713	1	0.50" LOW PRESSURE HOSE
16	357780	357780	1	HOOD SCOOP
17	055939	055939	6	CS .250-20 X .750 HX G5 ZNYC
18	768515	768515	6	FW .281 X .625 X .051/.080 HD ZNYC
19	036236	036236	6	CS .312-18 X 1.00 HX G5 ZNYC
20	783837	783837	1	ELECTRIC COOLER FAN
21	044818	044818	4	CN ZN TIN-C7343-1420
22	356121	356121	1	SUPER Z HOOD
23	778738	778738	1	.312 WIRING CLAMP
24	034280	034280	4	CS .312-18X .750 HX G5 ZNYC
25	795310	795310	1	REMOTE AIR FILTER HOSE
26	029876	029876	1	LW .312 INT-EXT TOOTH ZN
27	050161	050161	4	CS .312-18 X 1.75 HX G5
28	382168	382168	1	MUFFLER GUARD
29	380691	380691	1	SUPER Z ENGINE GUARD
30	767962	767962	4	FW .531 X 1.063 X .090 SAE HD ZN
31	016527	016527	4	CS .500-13 X 1.00 HX G5 ZNYC
32	377994	377994	1	MMZ ROLLER HEAT SHIELD
33	799320	799320	1	COMMON AIR COOLED WIRE HARNESS
34	047654	047654	2	CLIP
35	788943	788943	1	AIR FILTER INDICATOR
36	058776	058776	4	NT .312-18 HX ZYNL
37	601216	601216	1	ELBOW FITTING, STREET

NOTES:

1. Includes mounting hardware.
2. Part of Item 33 (799320 Mower Wire Harness).
3. Engine oil capacity; 1.9 L.

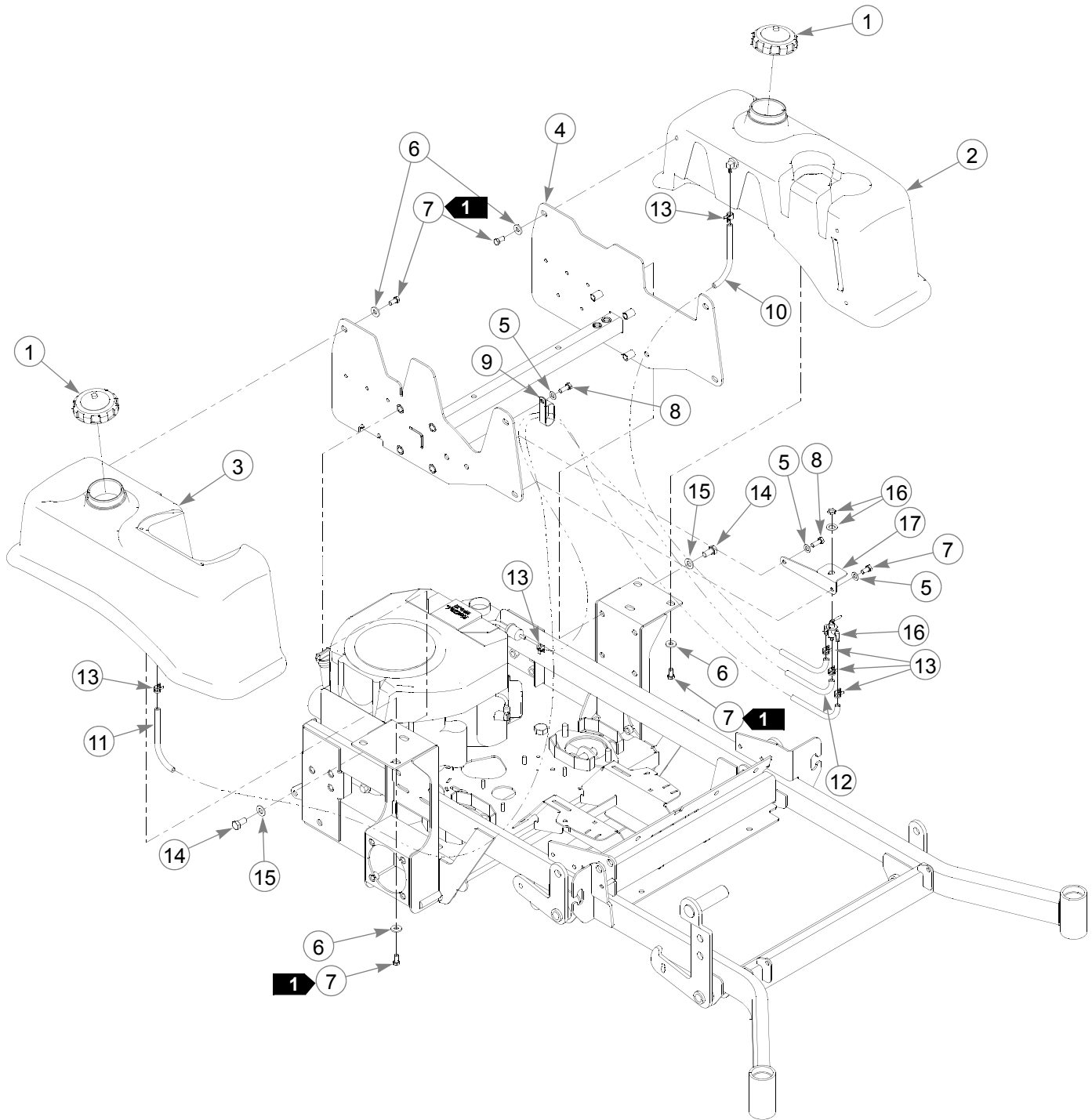
ENGINE SPEEDS			
MODEL NO. ENDING IN:	HP	LOW IDLE	HIGH IDLE
CE	27	N/A	2550±50 RPM

- 4. Includes one (1) of 057661 Hose Clamp.
- 5. Supplied with engine.
- 6. Supplied with the 27 HP Engine (788216).
- 7. Air filter service parts:

785261	MAIN AIR FILTER ELEMENT
763318	VACUATOR VALVE

This page intentionally left blank.

Fuel System



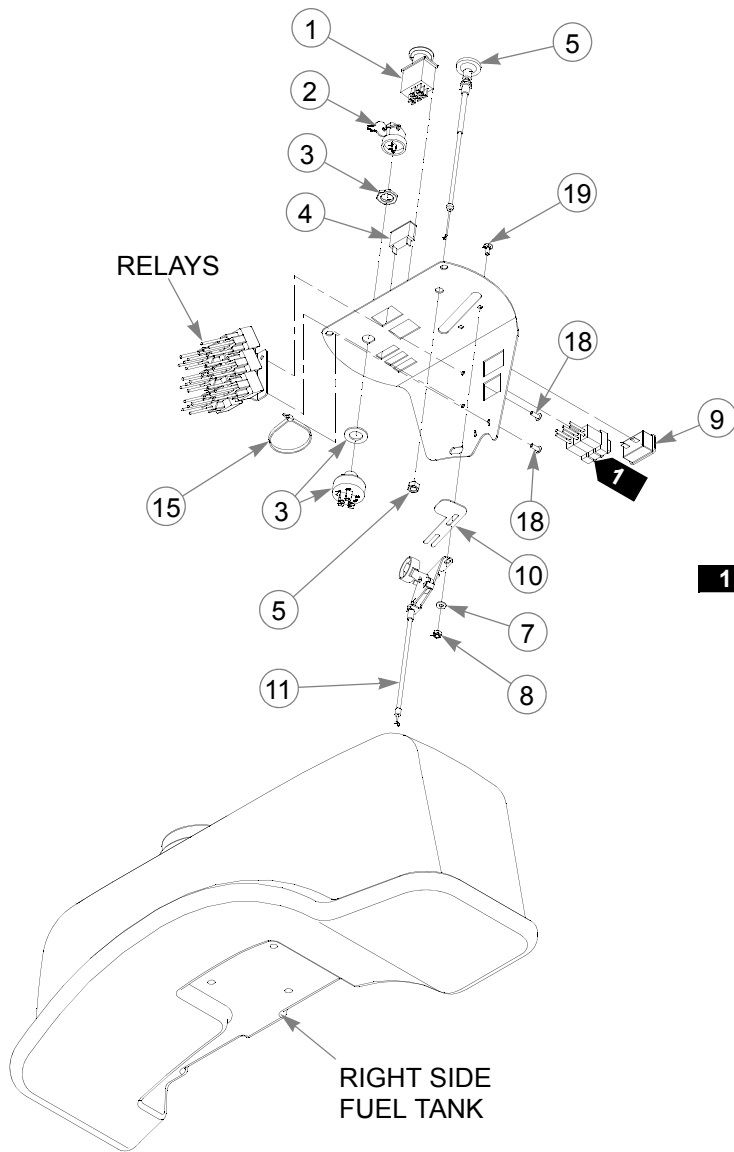
Fuel System

ITEM NO.	SERVICE PART NO.	MFG. PART NO.	QTY	DESCRIPTION
1	779306	779306	2	FUEL TANK CAP
2	793240	793240	1	LEFT SIDE FUEL TANK
3	793232	793232	1	RIGHT SIDE FUEL TANK
4	106732	N/A	1	REAR SEAT SUPPORT
5	767954	767954	3	FW .406 X .812 X .060 SAE HD ZN
6	712919	712919	11	FW .406 X 1.00 X .12 HRD ZN
7	055822	055822	12	CS .375-16 X .750 HX G5 ZN
8	036244	036244	2	CS .375-16 X 1.000 HX G5 ZN
9	045088	045088	1	HOSE CLAMP 1"
10	015818	015818	1	FUEL LINE 45.5" TOTAL
11	015818	015818	1	FUEL LINE 26.5" TOTAL
12	015818	015818	1	FUEL LINE 38" TOTAL
13	000323	000323	6	CLIP
14	705954	705954	8	CS .500-13X1.25 HX G5 Z
15	767962	767962	8	FW .531 X 1.063 X .090 SAE HD ZN
16	797084	797084	1	3-WAY FUEL VALVE
17	347989	347989	1	FUEL SHUT-OFF BRACKET
	000331	000331	3	BLACK CABLE TIE (NOT SHOWN)

NOTES:

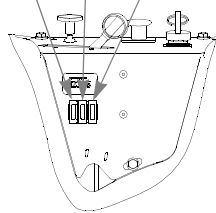
1. Torque to 27.1 N-m.
2. Service parts for fuel tanks (not shown):

Instrument Panel Assembly



FUSE SIZE AND LOCATION

10a 15a 15a



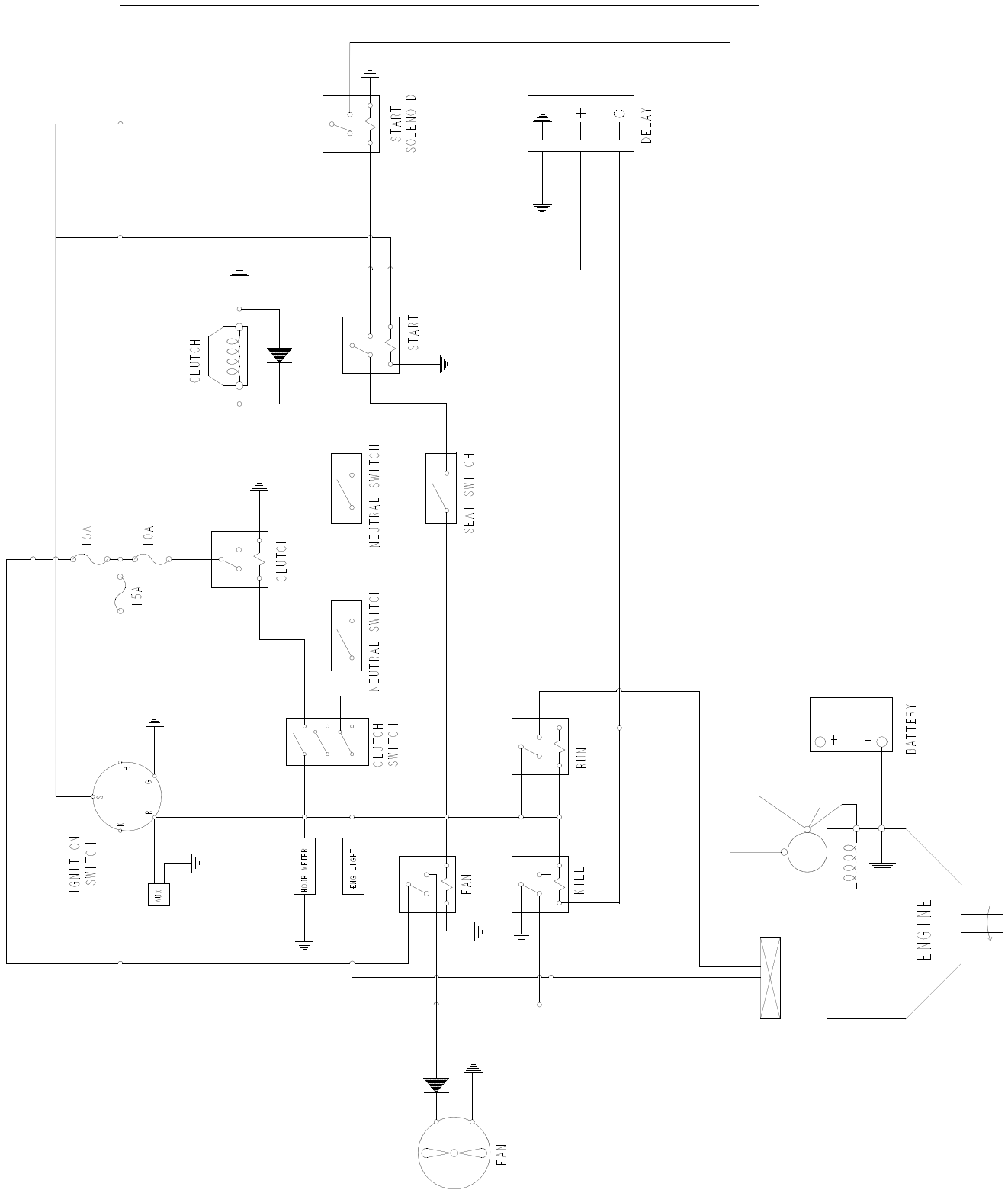
Instrument Panel Assembly

ITEM NO.	SERVICE PART NO.	MFG. PART NO.	QTY	DESCRIPTION
1	776476	776476	1	PTO SWITCH
2	785808	785808	1	KEY SET
3	045898	045898	1	KEY SWITCH
4	712257	712257	1	RED INDICATOR LIGHT
5	786657	786657	1	CHOKE CABLE
6	714998	714998	1	MS #10-24 X .625 HX ZN
7	704932	704932	4	FW .219 X .500 X .048 ZN
8	059832	059832	2	NT #10-24 HX NL ZN
9	769166	769166	1	HOUR METER
10	102707	102707	1	CE THROTTLE STOP
11	778365	778365	1	THROTTLE CABLE
12	055947	055947	3	CS .250-20 X .500 HX G5 ZN
13	768515	768515	3	FW .281 X .625 X .051 / .080 HD ZN/YL
14	106633	106633	1	INSTRUMENT PANEL
15	000430	000430	2	TIE STRAP
16	026237	N/A	6	RELAY
	762195	N/A	1	DELAY MODULE (NOT SHOWN)
17	107920	107920	1	RELAY BRACKET
18	601089	601089	2	RIVET .188 DIA BLK HD
19	601098	601089	2	CB 10-24 X .500 ZYNC

NOTES:

1. Part of 799320 (Wire Harness).

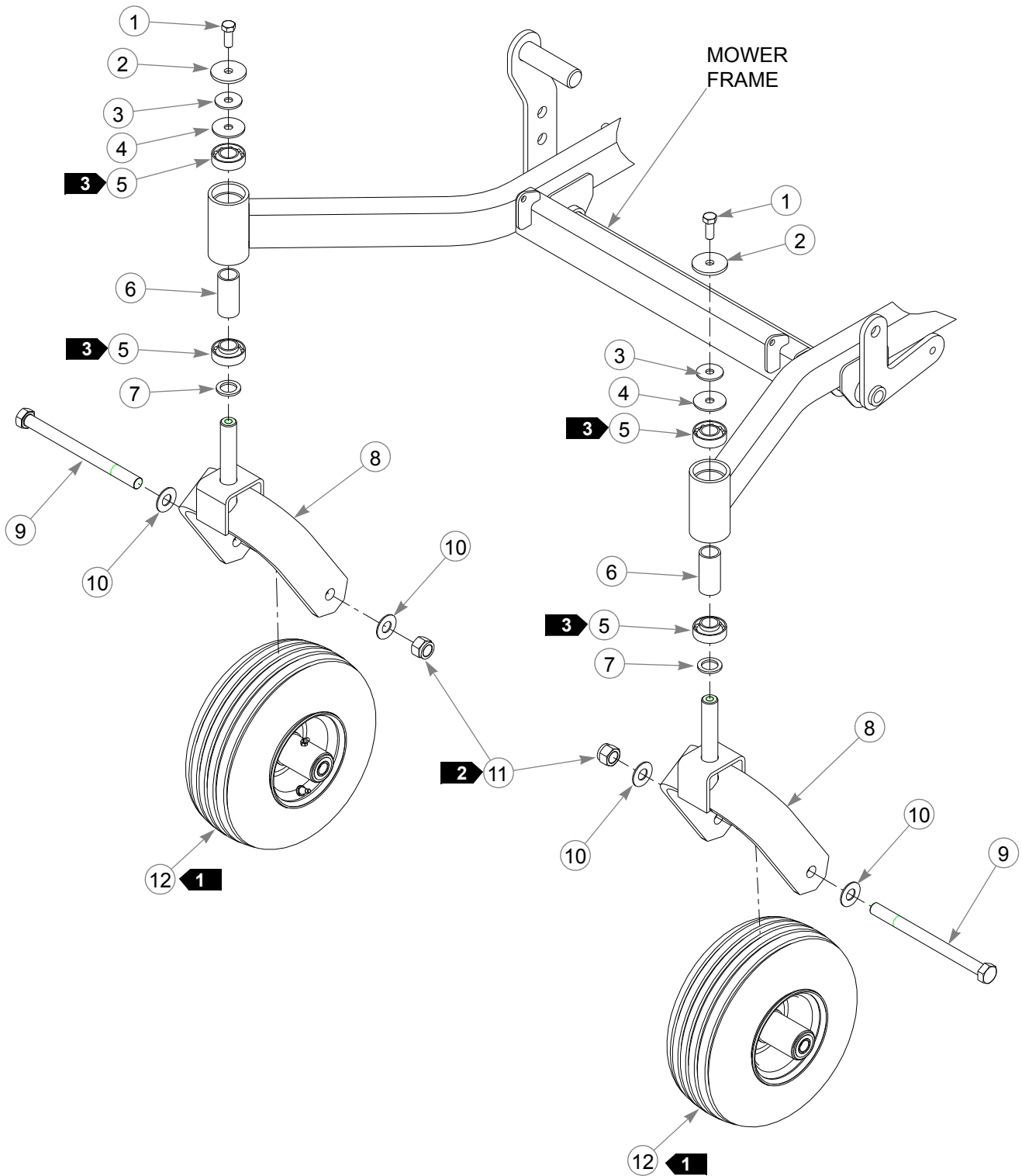
Electrical Schematic—Common Air Cooled (799320)



Section 6

Front Wheel Assembly.	6-2
Front Wheel Breakdown—747782.	6-4
Optional Semi-Pneumatic Tire/Wheel—789537	6-5
Drive Wheel Assembly.	6-6
Anti-Rollover Wheel Assembly	6-7

Front Wheel Assembly



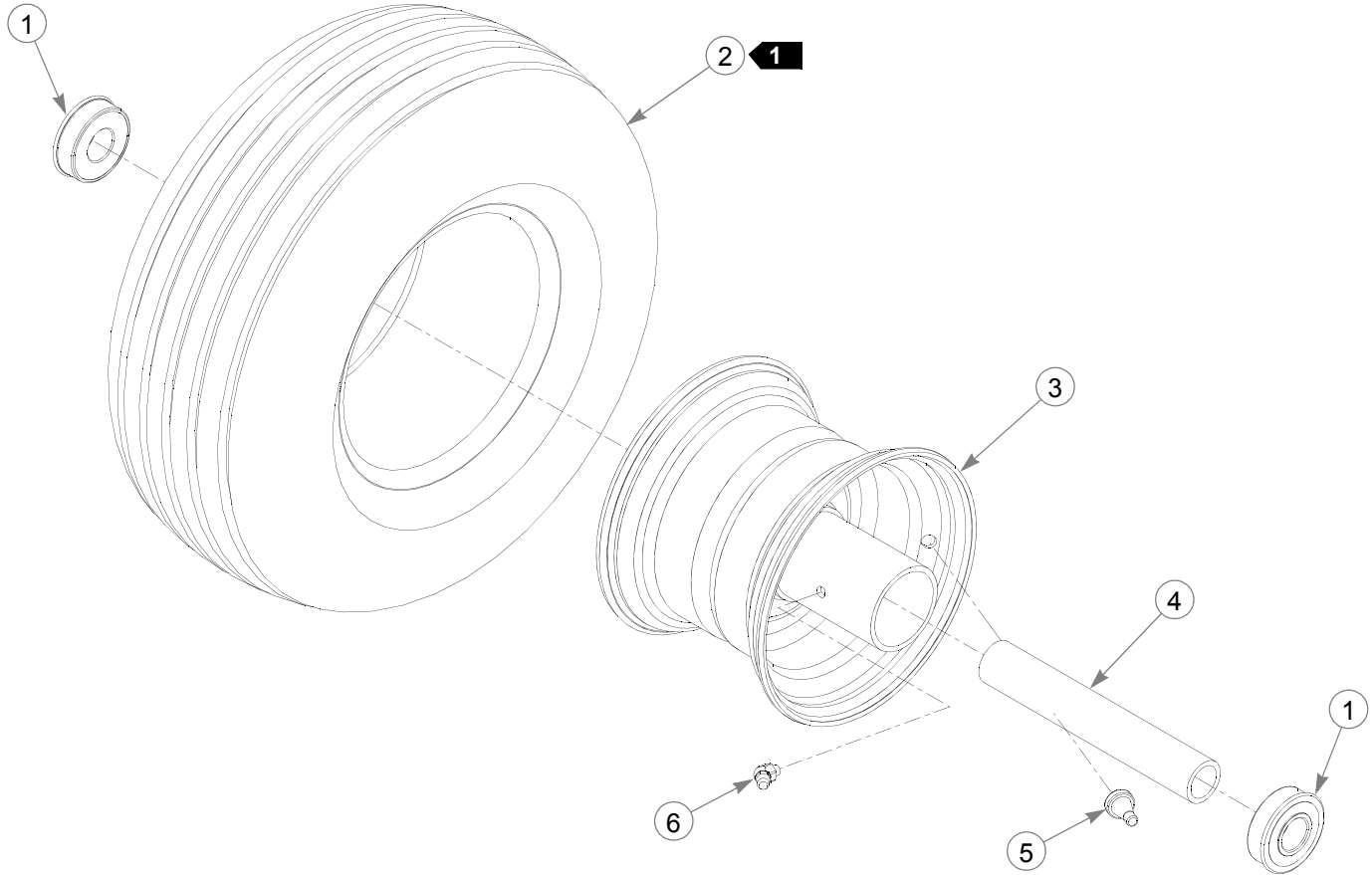
Front Wheel Assembly

INDEX NO.	SERVICE PART NO.	MFG. PART NO.	QTY	DESCRIPTION
1	705954	705954	2	CS .500-13 X 1.25 HX G5 ZN
2	344267	344267	2	FW .510 X 2.15 X .187 SPL ZN
3	798603	798603	2	FW .515 X 1.65 X .125 HD ZY
4	263517	263517	2	BEARING DISC
5	784223	784223	4	BEARING W/O COLLAR
6	387035	387035	2	SPACER, 1.07 X 1.312 X 2.793
7	045765	045765	2	FW 1.030 X 1.500 X.134 ZN
8	349266	349266	2	FORK
9	041475	041475	2	CS .750 -10 X 9.50 HX ZN
10	025296	025296	4	FW .760 X 1.625 X .08 ZN
11	061101	061101	2	NT .750 -10 HX NL ZN
12	747782	747782	2	WHEEL & TIRE ASSY

NOTES:

1. Apply grease to zerks (see owners manual).
2. Torque to 135.6 N-m.
3. Assemble with extended inner race toward item 6 (387035 Spacer, 1.07 x 1.312 x 2.793).

Front Wheel Breakdown—747782

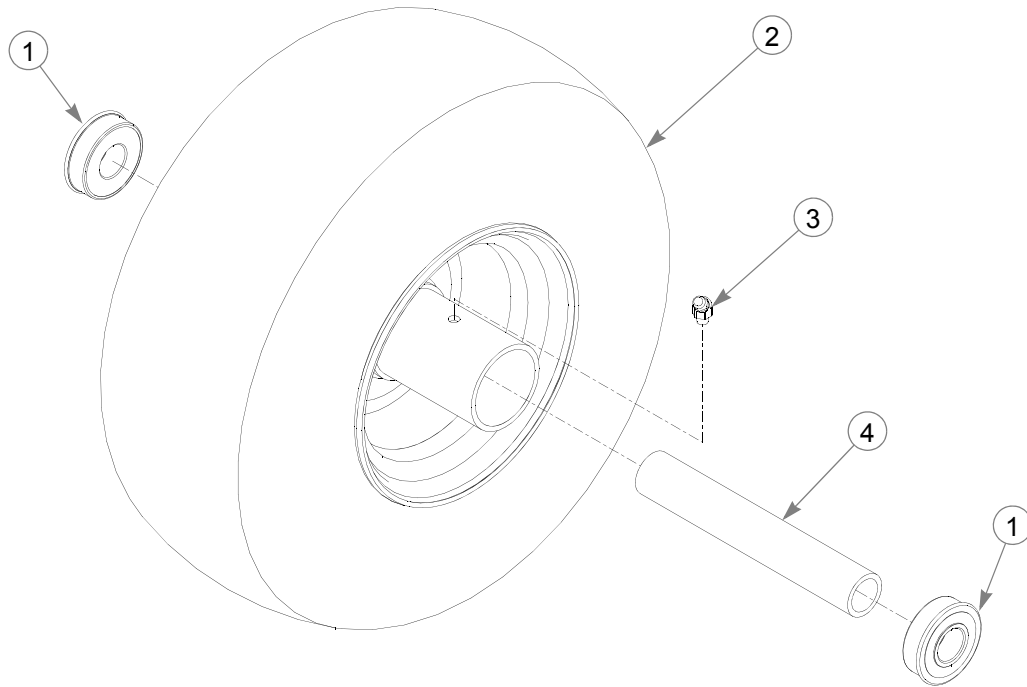


ITEM NO.	SERVICE PART NO.	MFG. PART NO.	QTY	DESCRIPTION
1	039677	N/A	2	WHEEL BEARING
2	747741	N/A	1	13 X 6.50 TIRE
3	747832	N/A	1	6 X 4.5 WHEEL
4	782771	N/A	1	BEARING SPACER
5	019521	N/A	1	TIRE VALVE
6	015511	N/A	1	GREASE FITTING 45 DEG 1/4

NOTES:

1. In flate tire to 55.2-82.7 kPa.

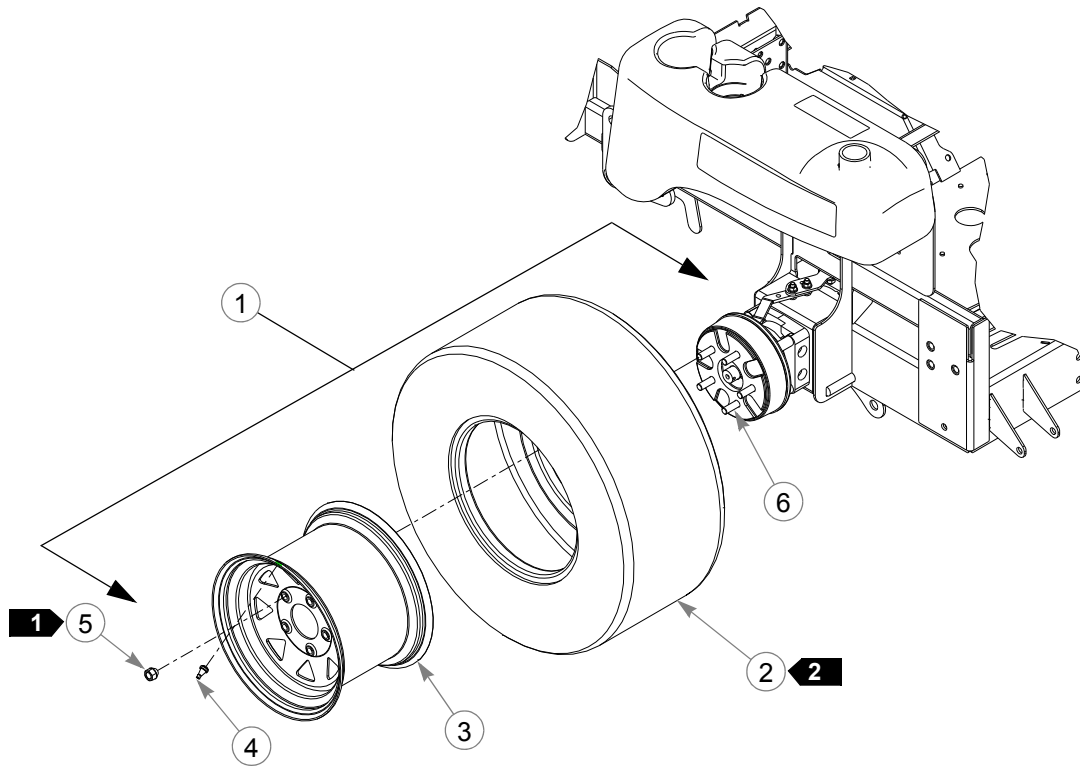
Optional Semi-Pneumatic Tire/Wheel—789537



ITEM NO.	SERVICE PART NO.	MFG. PART NO.	QTY	DESCRIPTION
1	039677	N/A	2	WHEEL BEARING
2	789537	N/A	1	TIRE/WHEEL ASSEMBLY
3	015511	N/A	1	GREASE FITTING 45 DEG 1/4
4	782771	N/A	1	BEARING SPACER

NOTES:

Drive Wheel Assembly



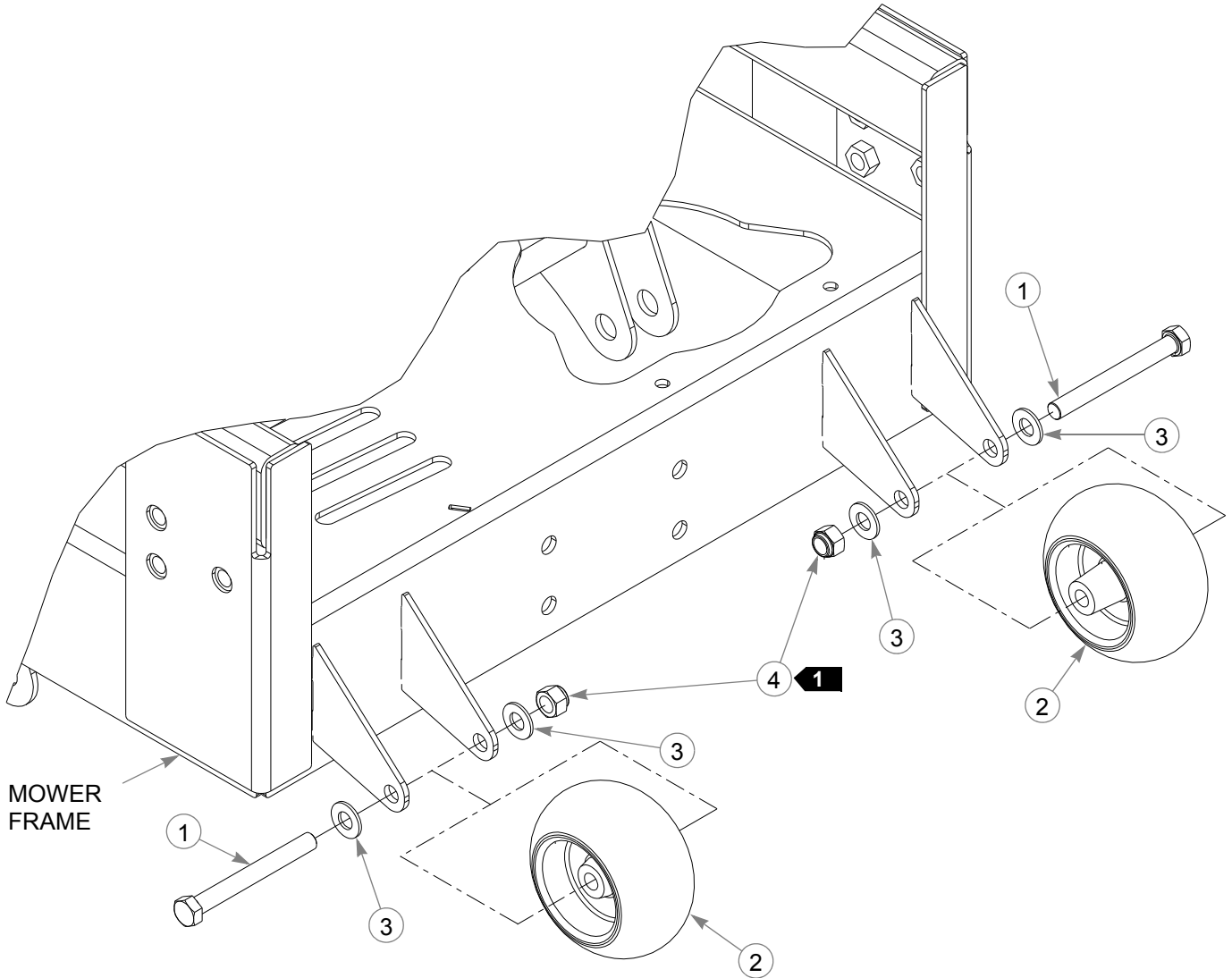
INDEX NO.	SERVICE PART NO.	MFG. PART NO.	QTY	DESCRIPTION
1	784058	784058	2	WHEEL & TIRE ASSY FOR 66" SD, 72" SD, 60" RD & 72" RD (QTY PER MOWER)
2	781245	N/A		TIRE, 24 X12 X 12
3	784066	N/A		WHEEL ASSY 12 X 8.50
4	019521	N/A		TIRE VALVE
5	061077	061077	5	WHEEL NUT (QTY PER WHEEL)
6	601085	601085	10	WHEEL LUG STUD 1/2-20

1	781237	781237	2	WHEEL & TIRE ASSY FOR 60" & 54" SD (QTY PER MOWER)
2	781245	N/A		TIRE, 24 X12 X 12
3	781252	N/A	2	WHEEL ASSEMBLY 12 X 8.50
4	019521	N/A	2	TIRE VALVE
5	061077	061077	5	WHEEL NUT (QTY PER WHEEL)
6	601085	601085	10	WHEEL LUG STUD 1/2-20

NOTES:

1. Torque to 88.1-101.7 N-m.
2. In flate tire to 55.2-82.7 kPa.

Anti-Rollover Wheel Assembly



INDEX NO.	SERVICE PART NO.	MFG. PART NO.	QTY	DESCRIPTION
1	068239	068239	2	CS .500-13 X 4.500 HX G5 ZN
2	031997	031997	2	ANTI-SCALP WHEEL
3	767962	767962	4	FW .531 X 1.063 X .090 SAE HD ZN
4	781567	781567	2	NT .50-13 HX LK NY

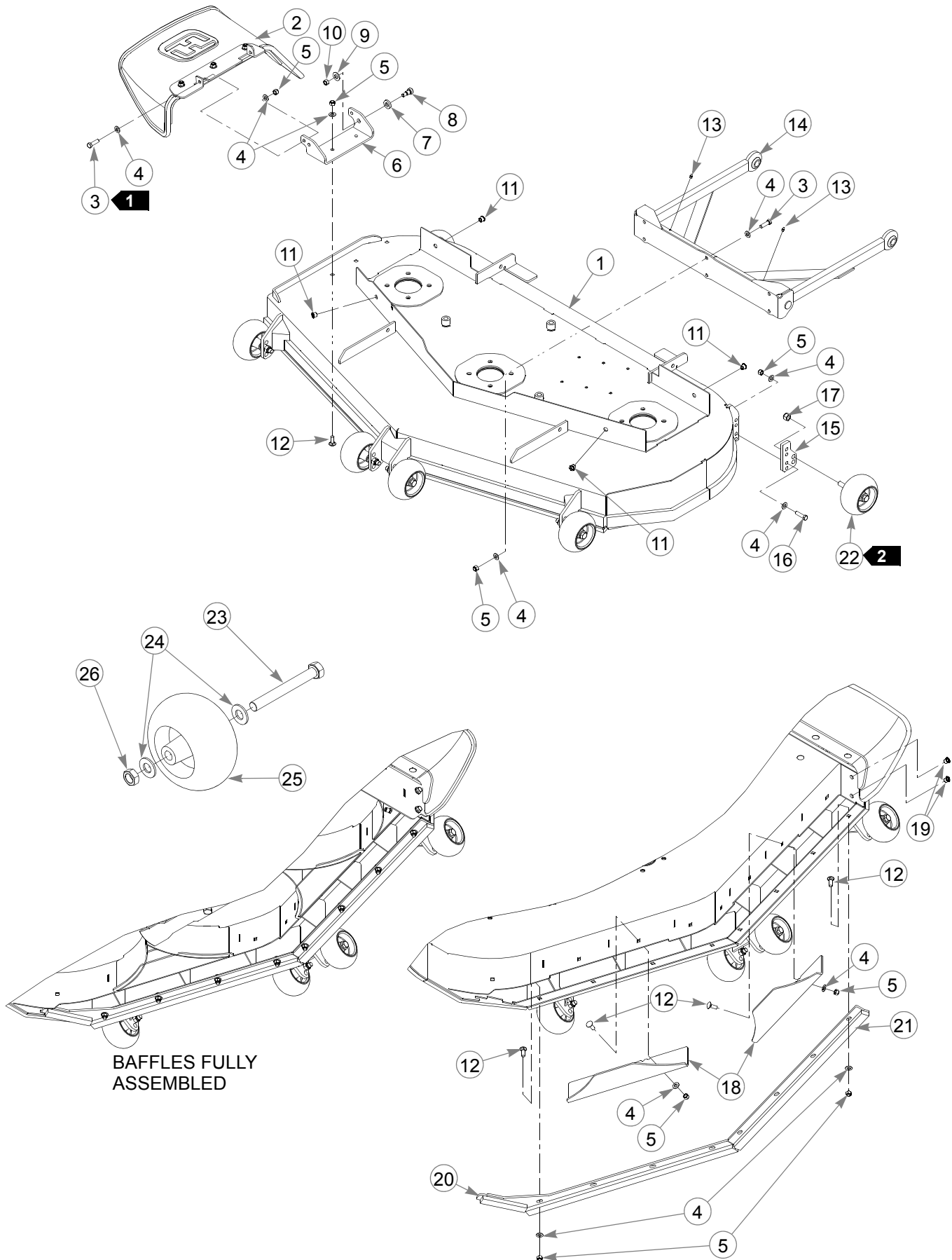
NOTES:

1. Do not torque, wheel must turn freely.

Section 7

60" Side Discharge Deck Assembly (XR7)	7-2
60" Side Discharge Deck Pulley Assembly (XR7)	7-4
60" Side Discharge Deck Mulch Baffles	7-6
72" Rear Discharge Deck Assy—S/N Higher Than 08090000	7-8
72" Rear Discharge Deck Assy—S/N 08010000–08090000	7-10
72" Rear Discharge Deck Assy—S/N Prior To 08010000	7-12
72" Rear Disch Deck Pulley Assy—S/N Higher Than 08090000	7-14
72" Rear Disch. Deck Pulley Assy—S/N Prior To 08090000	7-18
60" Rear Discharge Deck Assy—S/N 08080000 & Higher	7-20
60" Rear Discharge Deck Assy—S/N 08010000—08080000	7-22
60" Rear Discharge Deck Assy—S/N Prior To 08010000	7-24
60" Rear Disch. Deck Pulley Assy—S/N 08080000 & Higher	7-26
60" Rear Disch. Deck Pulley Assy-S/N 08010000–08080000	7-28
Spindle Assembly—796235	7-30
Spindle Assembly—796680	7-31

60" Side Discharge Deck Assembly (XR7)



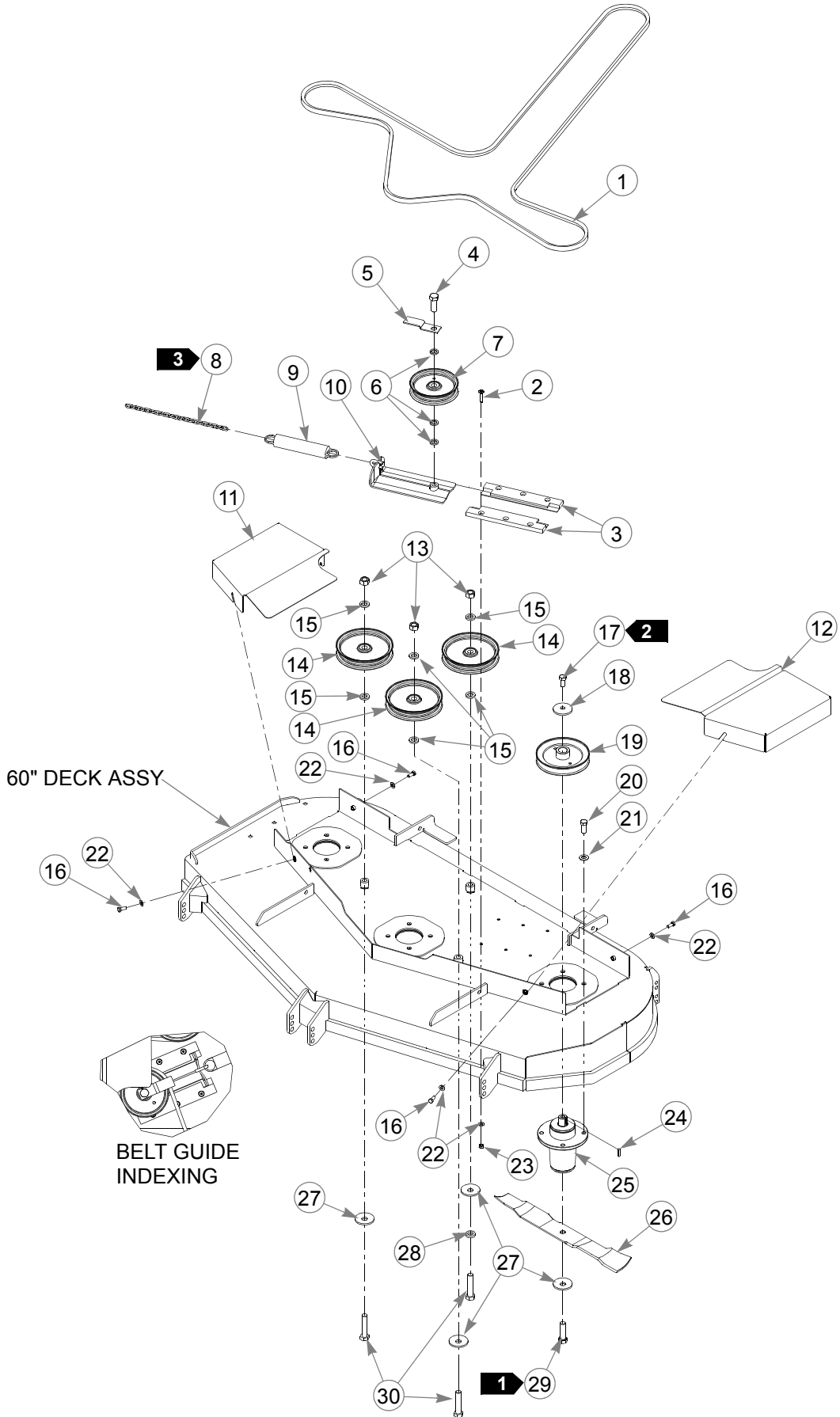
60" Side Discharge Deck Assembly (XR7)

ITEM NO.	SERVICE PART NO.	MFG. PART NO.	QTY.	DESCRIPTION
1	N/A	108501	1	60" DECK W/A
2	798694	798694	1	RUBBER CHUTE ASSEMBLY
3	052860	052860	8	CS .375-16 X 1.25 HX G5
4	767954	767954	38	FW .406 X .812 X .060 SAE HD ZN
5	086660	086660	26	NT .375-16 HX LK NY
6	103010	103010	1	DISCHARGE CHUTE MOUNT BRACKET
7	070037	070037	1	FW .530 X 1.06 X .19 HRD Z
8	750414	750414	1	SB .500 X .500 SH .375-1
9	767962	767962	1	FW .531 X 1.063 X .090 SAE
10	086660	086660	1	NT .375-16 HXZY NL
11	808485	808485	4	5/16-18 THREAD RIVET NUT
12	025395	025395	14	CB .375-16 X 1.00 STD CD
13	015495	015495	2	STRAIGHT GREASE FITTING
14	314104	314104	1	PUSHER
15	103184	103184	2	REAR ANTI-SCALP BRACKET
16	005116	005116	4	CS .375-16 X 1.375 HX G5 ZNYC
17	781567	781567	6	NT .50-13 HX LK NY
18	102764	102764	2	60" AIR FLOW FLOOR
19	808493	808493	2	3/8-16 THREAD RIVET NUT
20	108543	108543	1	ADAPTER W/A 60" LS CE
21	104380	104380	1	BLOWOUT 60" RS XR7
22	788166	788166	6	ANTI SCALP WHEEL ASSY
23	781708	N/A	6	CS .500-13 X 4.25 HX G5 ZN
24	767962	N/A	12	FW .531 X 1.063 X .090 SAE HD ZN
25	031997	N/A	6	ANTI-SCALP WHEEL
26	053199	N/A	6	NT .500-13 HX JAM ZN

NOTES:

1. Do not torque, Item 2 (798694 Discharge Chute) must pivot freely.
2. Includes items 23–26.

60" Side Discharge Deck Pulley Assembly (XR7)



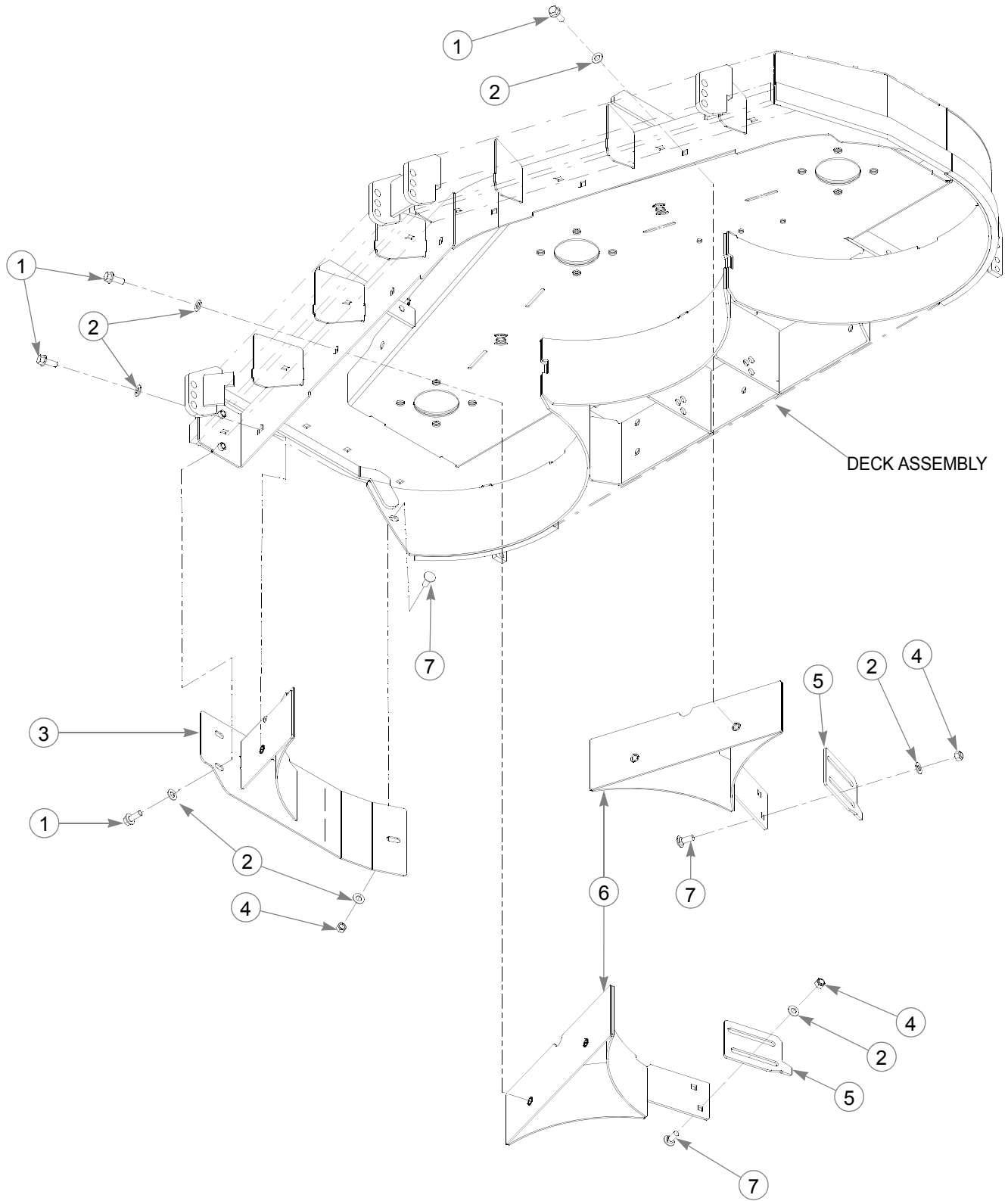
60" Side Discharge Deck Pulley Assembly (XR7)

ITEM NO.	SERVICE PART NO.	MFG. PART NO.	QTY	DESCRIPTION
1	797720	797720	1	B-SECTION BELT
2	797910	797910	6	CS .312-18 X 1.50 FLT SH ZNYC
3	601434	601434	2	UHMW IDLERSLIDE
4	025007	025007	1	CS .625-11 X 1.75 HX G5 ZNYC
5	347443	347443	1	DECK BELT IDLER GUIDE
6	028118	028118	3	FW .62 X 1.00 X .134 ZN
7	781856	781856	1	5.00" IDLER PULLEY
8	373191	059931	1	SIDE MOUNT CHAIN (21 LINKS)
9	781302	781302	1	IDLER SPRING
10	350884	350884	1	DECK IDLER
11	103192	103192	1	RS 60" XR7 PULLEY COVER
12	103200	103200	1	LS 60" XR7 PULLEY COVER
13	016972	016972	3	NT .625 -11 HX G5 ZNYC
14	781385	781385	3	6.00" IDLER PULLEY,
15	797449	797449	6	FW .650 X1.125 X.18 ZNYCG5
16	034280	034280	4	CS .312-18 X .750 HX G5
17	016527	016527	3	CS .500-13 X 1.00 HX G5 ZN
18	752386	752386	3	CW .515 X 2.25 X .204 ZN
19	770842	770842	3	DECK DRIVE PULLEY
20	705954	705954	12	CS .500-13 X 1.25 HX G5 ZNYC
21	767962	767962	12	FW .531 X 1.063 X .090 SAE HD ZN
22	768523	768523	10	FW .343 X .687 X .051/.080 HD ZN
23	058776	058776	6	NT .312-18 HXZY NL
24	212472	212472	3	KEY 1/4 SQ X 1.00 LONG
5	25	601630	3	SPINDLE HOUSING ASSEMBLY
4		796235X	3	SPINDLE HOUSING ASSEMBLY
	26	794214	3	BLADE, 20.50" MUL-F-CW
	27	782474	6	CW .631 2.250 X .187 PNT
	28	769257	1	FW .656 X 1.250 X .250 ZNYC
5	29	601983	3	CS .625-11 X 2.25 HXG5ZY
4		029934	3	CS .625 -11 X 3.00 HX G5 ZNYC
	30	783738	3	CS .625-11 X 3.00 FULL HX G5 ZN

NOTES:

1. Torque to 160 N-m.
2. Torque to 88-101 N-m.
3. See "60" Side Discharge Belt Routing and Tensioning" on page 8-4 for belt tensioning.
4. Used on mowers with serial numbers prior to 09110001. See "Spindle Assembly—796235" on page 7-30 for breakdown.
5. Used on mowers with serial numbers higher than 09110001.
6. Item 3 (601434) replaces idler slide components 600171, 600189 and 786335 found on mowers with serial numbers prior to 08010000.

60" Side Discharge Deck Mulch Baffles

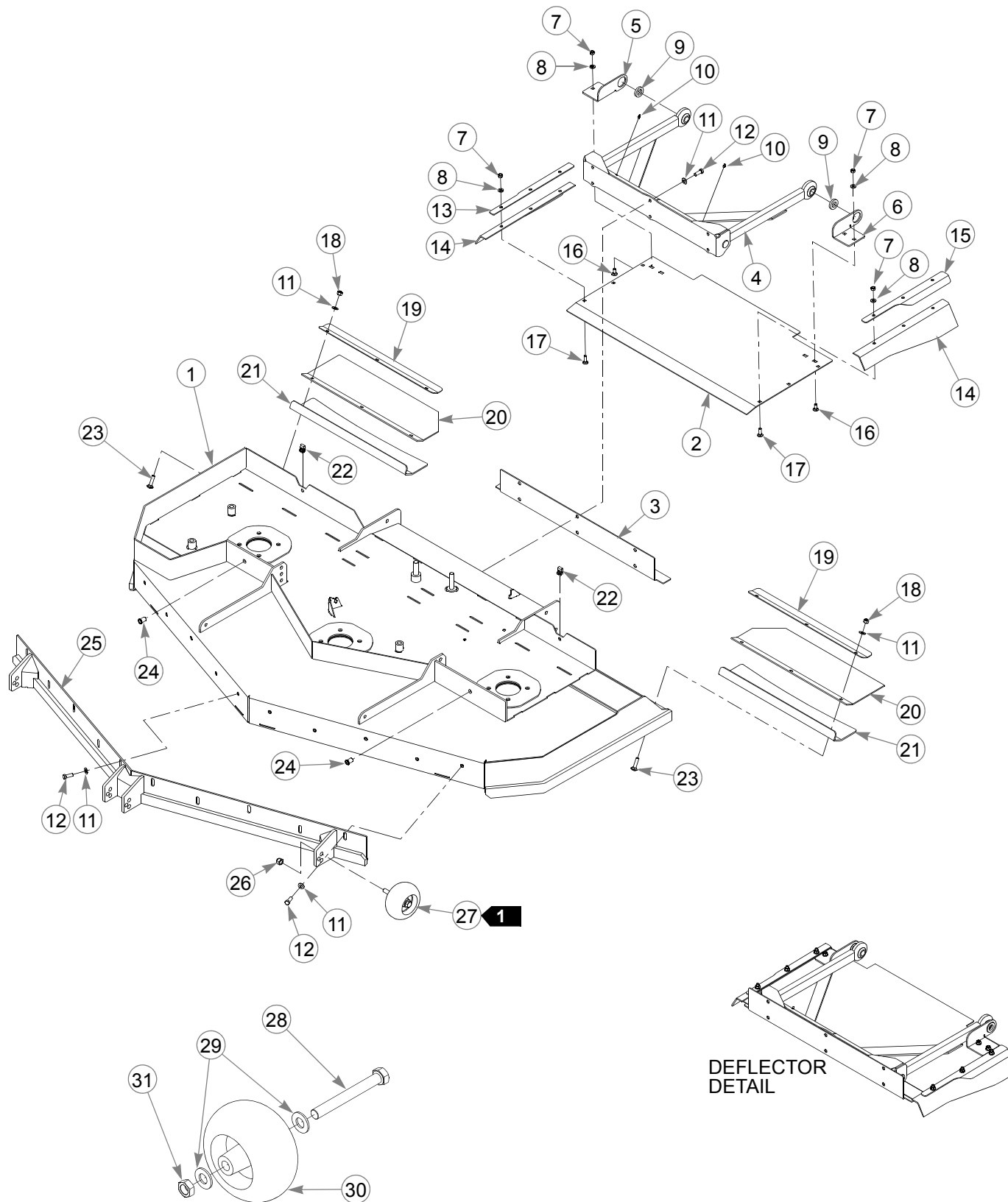


60" Side Discharge Deck Mulch Baffles

ITEM NO.	SERVICE PART NO.	MFG. PART NO.	QTY.	DESCRIPTION
1	029751	029751	7	CS .375-16X1.000 HXFLK
2	767954	767954	12	FW .406X .812 X.060 SAE
3	108575	108575	1	END MULCH CAP
4	086660	086660	5	NT .375-16 HXZY NL
5	108320	108320	2	MULCH PLATE
6	108577	108577	2	CENTER MULCH
7	025395	025395	5	CB .375-16X 1.00 STD CD

NOTES:

72" Rear Discharge Deck Assy—S/N Higher Than 08090000



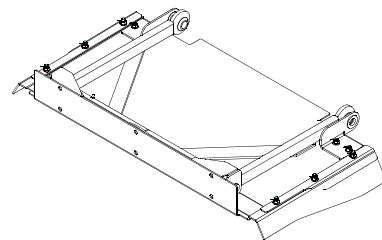
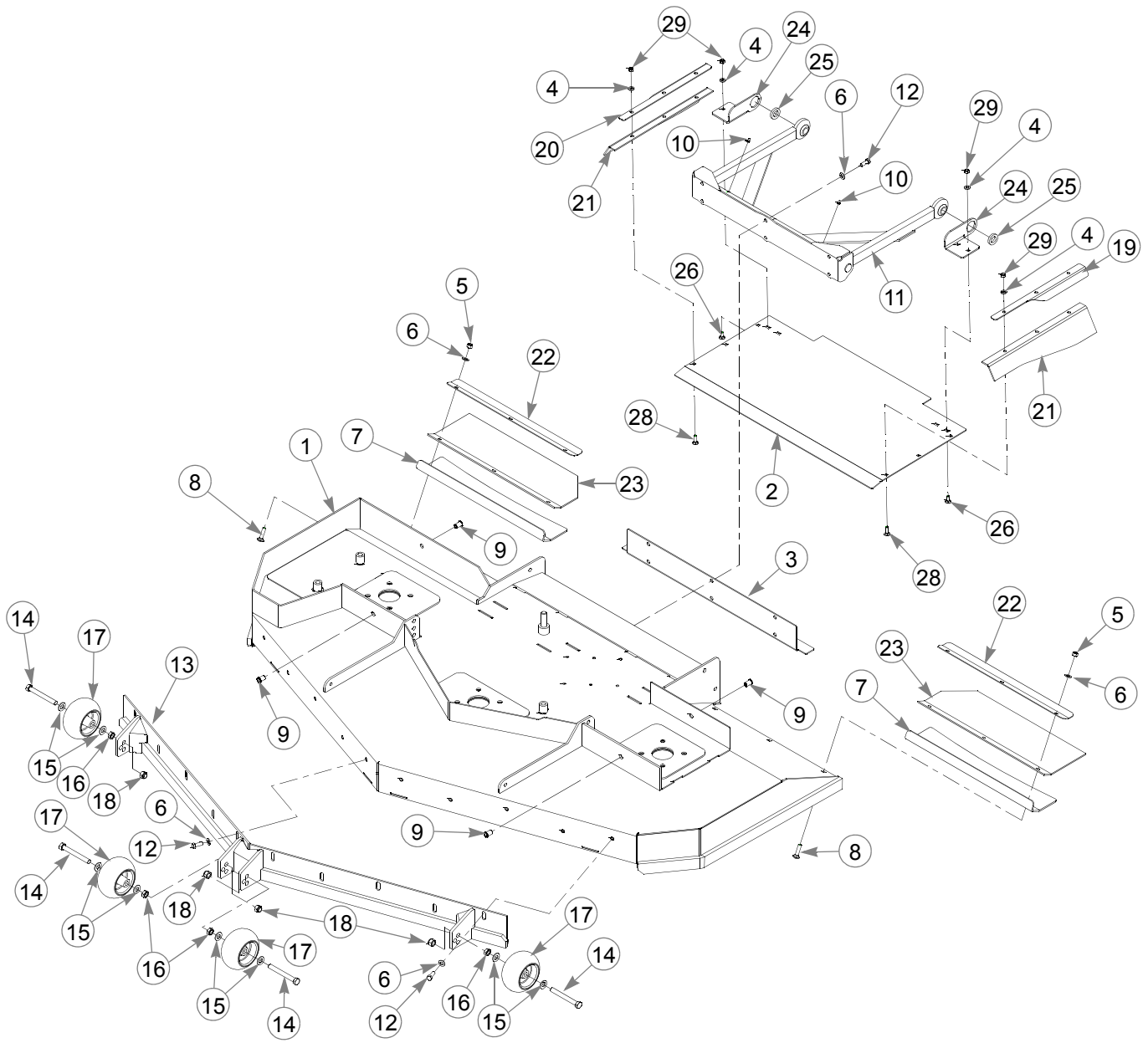
72" Rear Discharge Deck Assy—S/N Higher Than 08090000

ITEM NO.	SERVICE PART NO.	MFG. PART NO.	QTY.	DESCRIPTION
2 1	N/A	110450	1	72" REAR DISCHARGE DECK
2	109484	109484	1	DISCHARGE SHIELD
3	109485	109485	1	GUARD MOUNTING ANGLE
4	349803	349803	1	PUSHER
5	109483	109483	1	CHUTE BRACKET
6	109482	109482	1	CHUTE BRACKET
7	058776	058776	10	NT .312-18 HX ZY NL
8	768523	768523	10	FW .343 X .687 X .051/.080 HD ZN
9	778399	778399	2	FW .781 X 1.375 X .250 ZN YC
10	015495	015495	2	STRAIGHT GREASE FITTING
11	767954	767954	22	FW .406 X .812 X .060 SAE HD ZN
12	036244	036244	16	CS .375-16 X 1.00 HX G5 ZN
13	109487	109487	1	CLAMP ANGLE RS
14	601483	601483	2	RUBBER SIDE FLAP
15	109486	109486	1	CLAMP ANGLE LS
16	016253	016253	4	CB .312-18 X .750 FUL ZN
17	037887	037887	6	CB .312-18 X 1.000 FUL Z
18	086660	086660	6	NT .375-16 HX LK NY
19	107712	107712	2	ANGLE, DISCHARGE CHUTE
20	600930	600930	2	RD REAR FLAP
21	101360	101360	2	DECK STIFFENER ANGLE
22	601069	601069	2	CN .312-18X.200
23	710194	710194	6	CB .375-16 X 1.50 STD G5
24	808485	808485	2	5/16-18 THREAD RIVET NUT
25	101477	101477	1	72" REAR DISCHARGE FRONT ANGLE
26	781567	781567	4	NT .50-13 HX ZY NL
27	788166	788166	4	ANTI SCALP WHEEL ASSEMBLY
28	781708	N/A	4	CS .500-13 X 4.25 HX G5 ZN
29	767962	N/A	8	FW .531 X 1.063 X .090 SAE HD ZN
30	031997	N/A	4	ANTI-SCALP WHEEL
31	053199	N/A	4	NT .500-13 HX JAM ZN

NOTES:

1. Includes items 28–31.

72" Rear Discharge Deck Assy—S/N 08010000–08090000



DEFLECTOR DETAIL

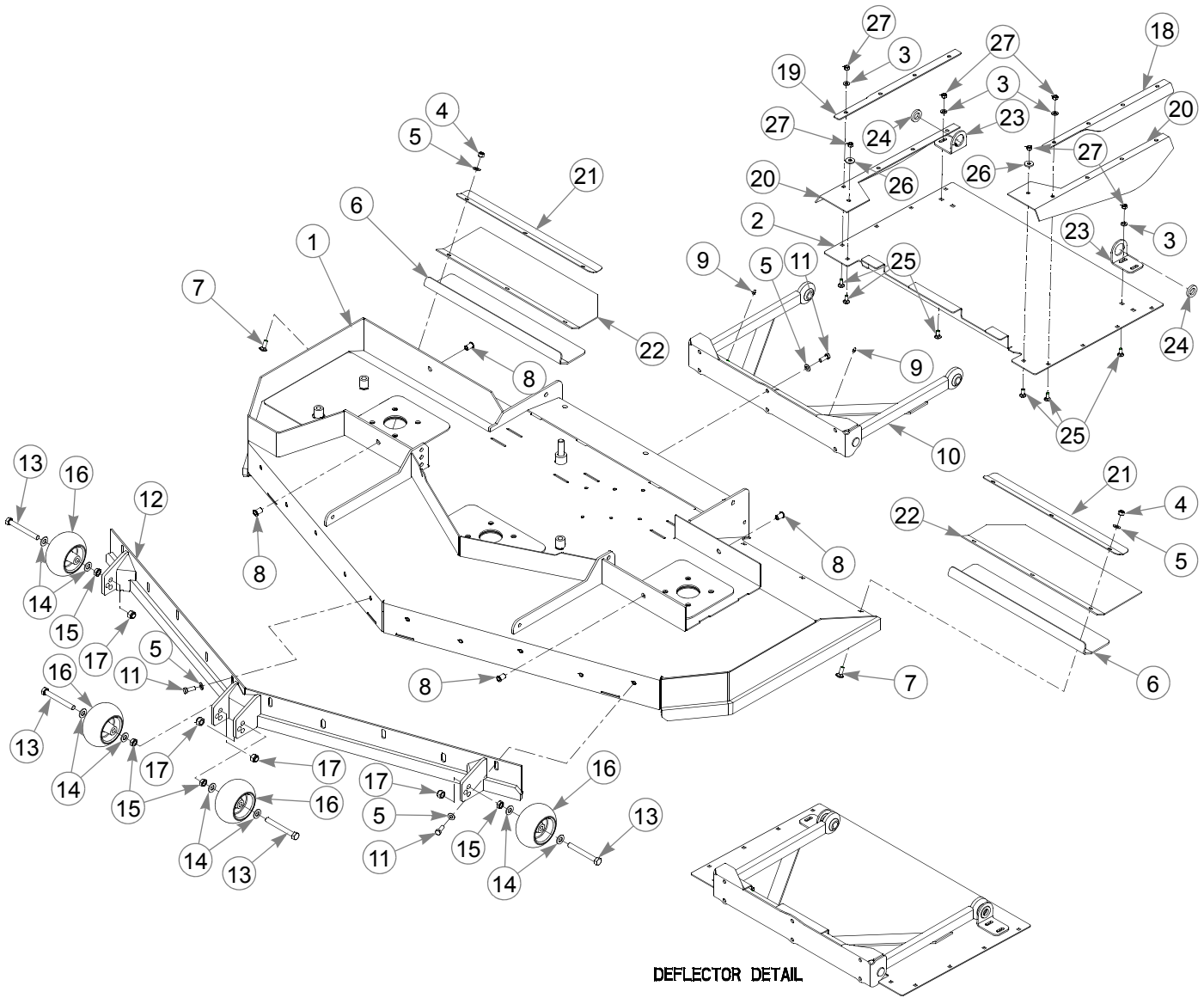
72" Rear Discharge Deck Assy—S/N 08010000–08090000

ITEM NO.	SERVICE PART NO.	MFG. PART NO.	QTY.	DESCRIPTION
2 1	547406	101295	1	72" REAR DISCHARGE DECK
2	109484	109484	1	DISCHARGE SHEILD
3	109485	109485	1	GUARD MOUNTING ANGLE
4	768523	768523	15	FW .343 X .687 X .051/.080 HD ZN
5	086660	086660	10	NT .375-16 HX LK NY
6	767954	767954	22	FW .406 X .812 X .060 SAE HD ZN
7	101360	101360	2	DECK STIFFENER ANGLE
8	710194	710194	6	CB .375-16 X 1.50 STD G5
9	808485	N/A	4	5/16-18 THREAD RIVET NUT
10	015495	015495	2	STRAIGHT GREASE FITTING
11	349803	349803	1	PUSHER
12	036244	036244	16	CS .375-16 X 1.00 HX G5 ZN
13	101477	101477	1	72" REAR DISCHARGE FRONT ANGLE
14	781708	N/A	4	CS .500-13 X 4.25 HX G5 ZN
15	767962	N/A	8	FW .531 X 1.063 X .090 SAE HD ZN
16	053199	N/A	4	NT .500-13 HX JAM ZN
17	031997	N/A	4	ANTI-SCALP WHEEL
18	781567	781567	4	NT .50-13 HX ZY NL
19	109486	109486	1	CLAMP ANGLE LS
20	109487	109487	1	CLAMP ANGLE RS
21	601483	601483	2	RUBBER SIDE FLAP
22	107712	107712	2	ANGLE, DISCHARGE CHUTE
23	600930	600930	2	RD REAR FLAP
24	109482	109482	1	CHUTE BRACKET RS
25	109483	109483	1	CHUTE BRACKET LS
26	778399	778399	2	FW .781 X 1.375 X .250 ZN YC
27	016253	016253	4	CB .312-18 X .750 FUL ZN
28	037887	037887	6	CB .312-18 X 1.000 FUL Z
29	058776	058776	10	NT .312-18 HX ZY NL
1	788166	788166	4	ANTI SCALP WHEEL ASSEMBLY

NOTES:

1. Includes Items 14–17 .

72" Rear Discharge Deck Assy—S/N Prior To 08010000



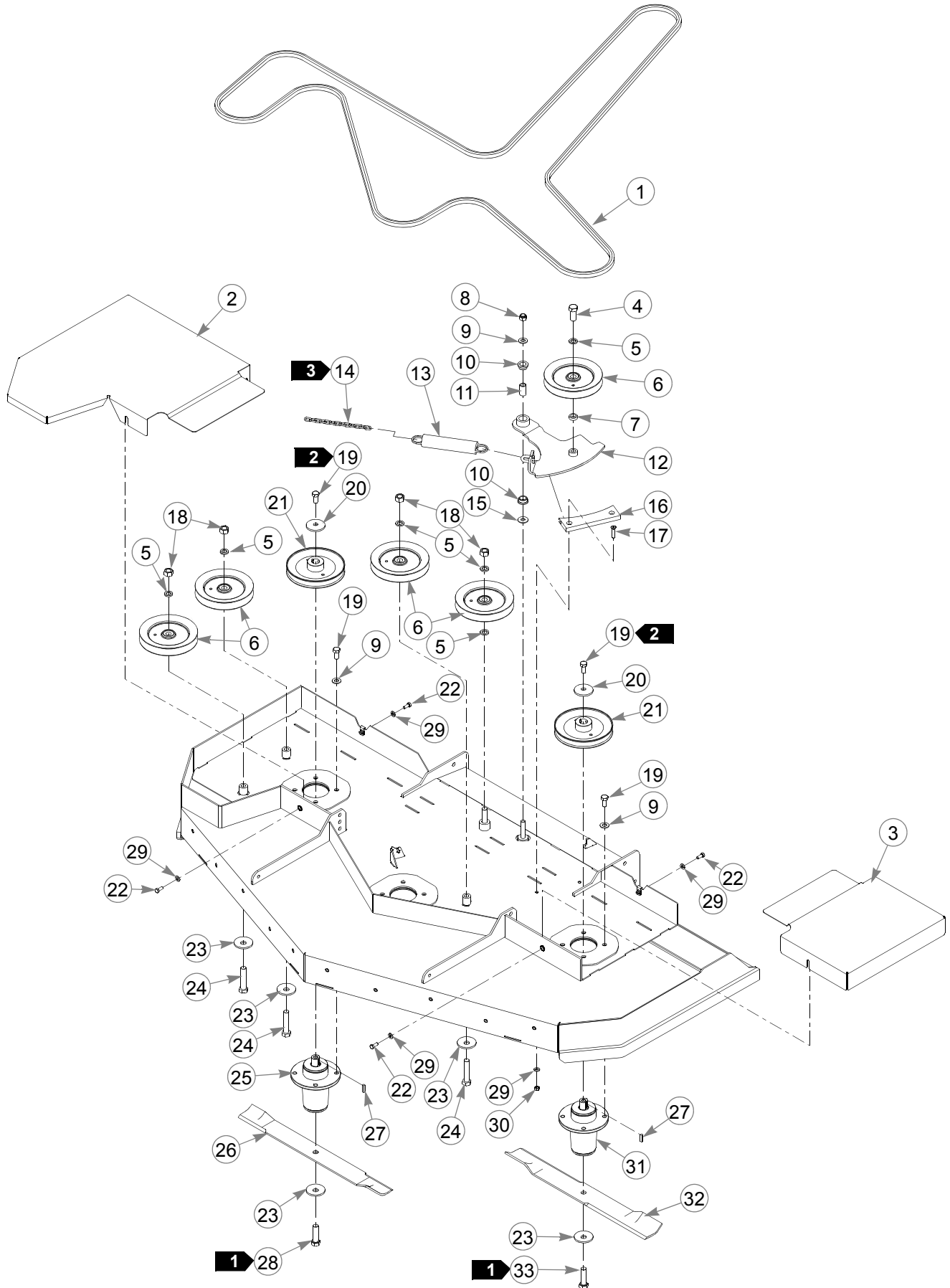
72" Rear Discharge Deck Assy—S/N Prior To 08010000

ITEM NO.	SERVICE PART NO.	MFG. PART NO.	QTY.	DESCRIPTION
2 1	547406	101295	1	72" REAR DISCHARGE DECK
2	106781	106781	1	RD DECK GUARD
3	768523	768523	15	FW .343 X .687 X .051/.080 HD ZN
4	086660	086660	10	NT .375-16 HX LK NY
5	767954	767954	22	FW .406 X .812 X .060 SAE HD ZN
6	101360	101360	2	DECK STIFFENER ANGLE
7	025395	025395	6	CB .375-16 X 1.00 STD CD
8	808485	808485	4	5/16-18 THREAD RIVET NUT
9	015495	015495	2	STRAIGHT GREASE FITTING
10	349803	349803	1	PUSHER
11	036244	036244	16	CS .375-16 X 1.00 HX G5 ZN
12	101477	101477	1	72" REAR DISCHARGE FRONT ANGLE
13	781708	N/A	4	CS .500-13 X 4.25 HX G5 ZN
14	767962	N/A	8	FW .531 X 1.063 X .090 SAE HD ZN
15	053199	N/A	4	NT .500-13 HX JAM ZN
16	031997	N/A	4	ANTI-SCALP WHEEL
17	781567	781567	4	NT .50-13 HXZY NL
18	106724	106724	1	RD DEFLECTOR CLAMP LS ANGLE
19	106666	106666	1	RD DEFLECTOR CLAMP RS ANGLE
20	600262	600262	2	RD SIDE FLAP
21	107712	107712	2	ANGLE, DISCHARGE CHUTE
22	600930	600930	2	RD REAR FLAP
23	106591	106591	2	RD DECK GUARD BRACKET
24	778399	778399	2	FW .781 X 1.375 X .250 ZNYC
25	016253	016253	14	CB .312-18 X .750 FUL ZN
26	712927	712927	2	FW .344 X 1.00 X .12 HRD ZN
27	058776	058776	14	NT .312-18 HXZY NL
1	788166	788166	4	ANTI SCALP WHEEL ASSEMBLY

NOTES:

1. Includes Items 13–16.

72" Rear Disch Deck Pulley Assy—S/N Higher Than 08090000



72" Rear Disch Deck Pulley Assy—S/N Higher Than 08090000

ITEM NO.	SERVICE PART NO.	MFG. PART NO.	QTY.	DESCRIPTION
1	797167	797167	1	72" REAR DISCHARGE DECK BELT
2	110459	110459	1	PULLEY COVER RH
3	110458	110458	1	PULLEY COVER LH
4	794446	794446	1	CS .625-11X1.500 HX G5 Z
5	028118	028118	6	FW .62 X 1.00 X .134 ZN
6	796714	796714	5	6" HB IDLER PULLEY RD
7	600296	600296	1	DECK IDLER SPACER
8	781567	781567	1	NT .500-13 HX G8 ZY NL
9	767962	767962	13	FW .531 X 1.063 X .090 SAE HD ZN
10	770867	770867	2	PLASTIC BUSHING .750X1
11	109549	109549	1	IDLER PIVOT BUSHING
12	109948	109948	1	IDLER ARM W/A
13	781302	781302	1	IDLER SPRING
14	259812	059931	1	SIDE MOUNT CHAIN (13 LINKS)
15	704759	704759	1	FW .500X 1.250X.075 ZNY
16	601779	601779	1	IDLER GUIDE UHMW
17	797910	797910	2	CS .312-18 X1.50FLT SH ZY
18	016972	016972	4	NT .625-11 HX G5 ZNYC
19	016527	016527	15	CS .500-13 X 1.00 HX G5 ZN
20	752386	752386	3	CW .515 X 2.25 X .204 ZN
21	538850	538850	3	DRIVE PULLEY DB-112
22	034280	034280	4	CS .312-18 X .750 HX G5
23	782474	782474	6	CW .631 X 2.250 X .187 PNT
24	783738	783738	3	CS .625-11 X 3.00 FULL HX G5 ZN
6	25	601819	1	REAR DISCHARGE DECK SPINDLE ASSEMBLY
5	26	796680X	1	REAR DISCHARGE DECK SPINDLE ASSEMBLY
	27	796508	1	BLADE, F23.86-L-F-CCW
	28	212472	3	KEY 1/4 SQ X 1.00 LONG
6	29	601999	1	CS .625-11 X 2.25 LH H5Y
5	30	796722	1	CS .625-11 X 3.00 LH HX G
	31	768523	5	FW .343 X .687 X .051/.080 HD ZN
	32	058776	1	NT .312-18 HXZY NL
6	33	601630	2	SPINDLE HOUSING ASSEMBLY
4		796235X	2	SPINDLE HOUSING ASSEMBLY
	34	796839	2	BLADE, F23.86-L-F-CW
6	35	601983	2	CS .625-11 X 2.25 HXG5ZY
4	36	029934	2	CS .625-11 X 3.00 HX G5 ZNYC

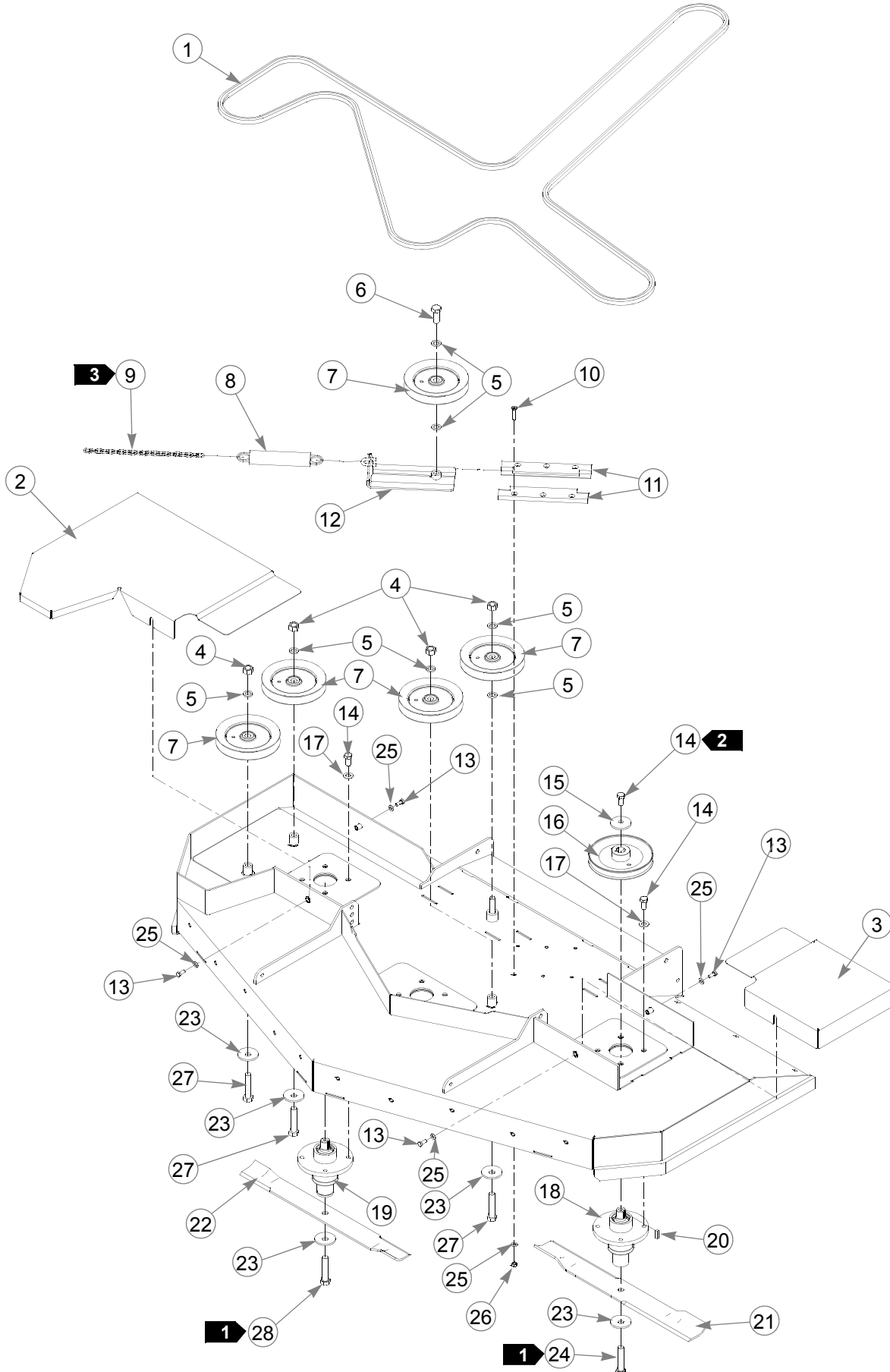
NOTES:

1. Torque to 160 N-m.
2. Torque to 88-101 N-m.
3. See "72" & 60" Rear Discharge Belt Routing and Tensioning" on page 8-5 for belt tensioning.
4. Used on mowers with serial numbers prior to 09110001. See "Spindle Assembly—796235" on page 7-30 for breakdown.
5. Used on mowers with serial numbers prior to 09110001. See "Spindle Assembly—796680" on page 7-31 for breakdown.

-
6. Used on mowers with serial numbers higher than 09110001.
 7. Item 11 (601434) replaces idler slide components 600171, 600189 and 786335 found on mowers with serial numbers prior to 08010000.

This page intentionally left blank.

72" Rear Disch. Deck Pulley Assy—S/N Prior To 08090000



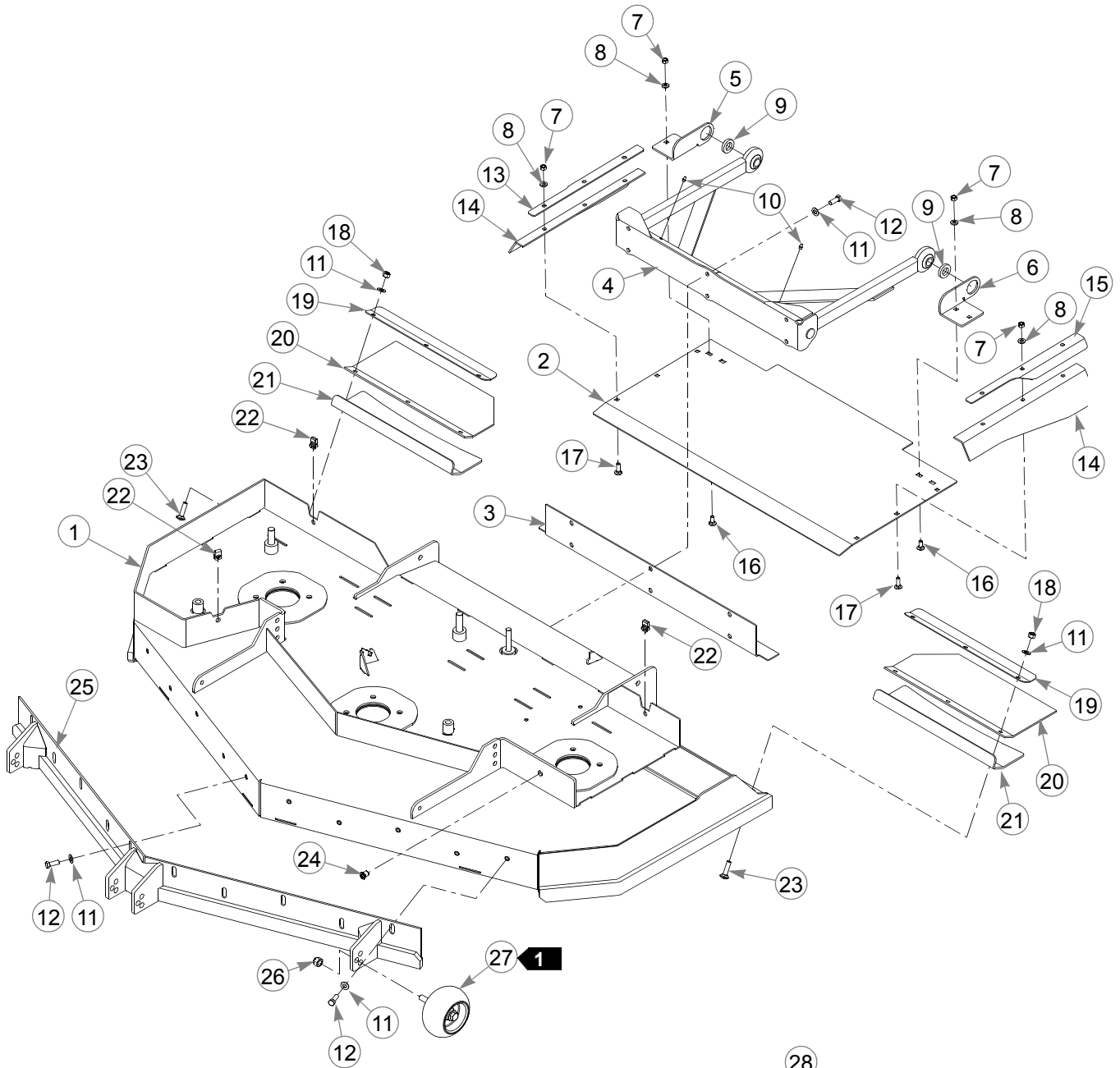
72" Rear Disch. Deck Pulley Assy—S/N Prior To 08090000

ITEM NO.	SERVICE PART NO.	MFG. PART NO.	QTY.	DESCRIPTION
1	797167	797167	1	72" REAR DISCHARGE DECK BELT
2	101345	101345	1	RIGHT 72" REAR DISCHARGE PULLEY COVER
3	101352	101352	1	LEFT 72" REAR DISCHARGE PULLEY COVER
4	016972	016972	4	NT .625-11 HX G5 ZNYC
5	028118	028118	7	FW .62 X 1.00 X .134 ZN
6	794446	794446	1	CS .625-11X1.500 HX G5
7	796714	796714	5	6" HB IDLER PULLEY RD
8	781302	781302	1	IDLER SPRING
9	373191	059931	1	SIDE MOUNT CHAIN (21 LINKS)
10	797910	797910	6	CS .312-18 X1.50FLT SH ZY
11	601434	601434	2	UHMW IDLER SLIDE
12	350884	350884	1	REAR DISCHARGE DECK IDLER
13	034280	034280	4	CS .312-18 X .750 HX G5
14	016527	016527	15	CS .500-13 X 1.00 HX G5 ZN
15	752386	752386	3	FW .510 X 1.75 X .18 ZN
16	538850	538850	3	DRIVE PULLEY DB-112
17	767962	767962	12	FW .531 X 1.063 X .090 SAE HD ZN
4	796235X	796235	2	SPINDLE HOUSING ASSEMBLY
5	796680X	796680	1	REAR DISCHARGE DECK SPINDLE ASSEMBLY
20	212472	212472	3	KEY 1/4 SQ X 1.00 LONG
21	796839	796839	2	BLADE, F23.86-L-F-CW
22	796508	796508	1	BLADE, F23.86-L-F-CCW
23	782474	782474	6	CW .631 X 2.250 X .187 PNT
24	029934	029934	2	CS .625-11 X 3.00 HX G5 ZNYC
25	768523	768523	8	FW .343 X .687 X .051/.080 HD ZN
26	058776	058776	4	NT .312-18 HXZY NL
27	783738	783738	3	CS .625-11 X 3.00 FULL HX G5 ZN
28	796722	796722	1	CS .625-11 X 3.00 LH HX G

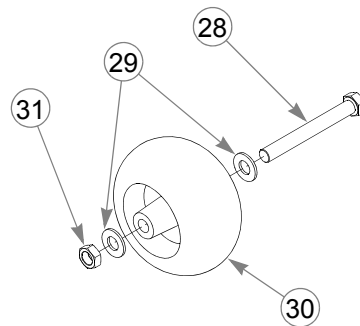
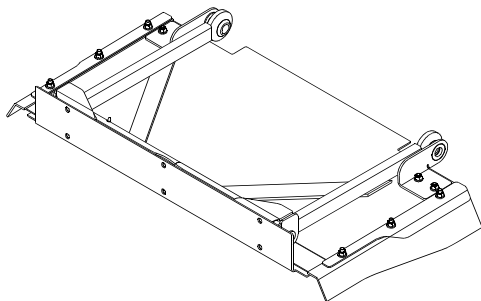
NOTES:

1. Torque to 160 N-m.
2. Torque to 88-101 N-m.
3. See "72" & 60" Rear Disch. Belt Routing and Tensioning" on page 8-6 for belt tensioning.
4. See "Spindle Assembly—796235" on page 7-30 for breakdown.
5. See "Spindle Assembly—796680" on page 7-31 for breakdown.
6. Item 11 (601434) replaces idler slide components 600171, 600189 and 786335 found on mowers with serial numbers prior to 08010000.

60" Rear Discharge Deck Assy—S/N 08080000 & Higher



DEFLECTOR DETAIL



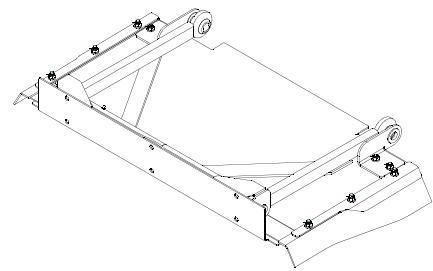
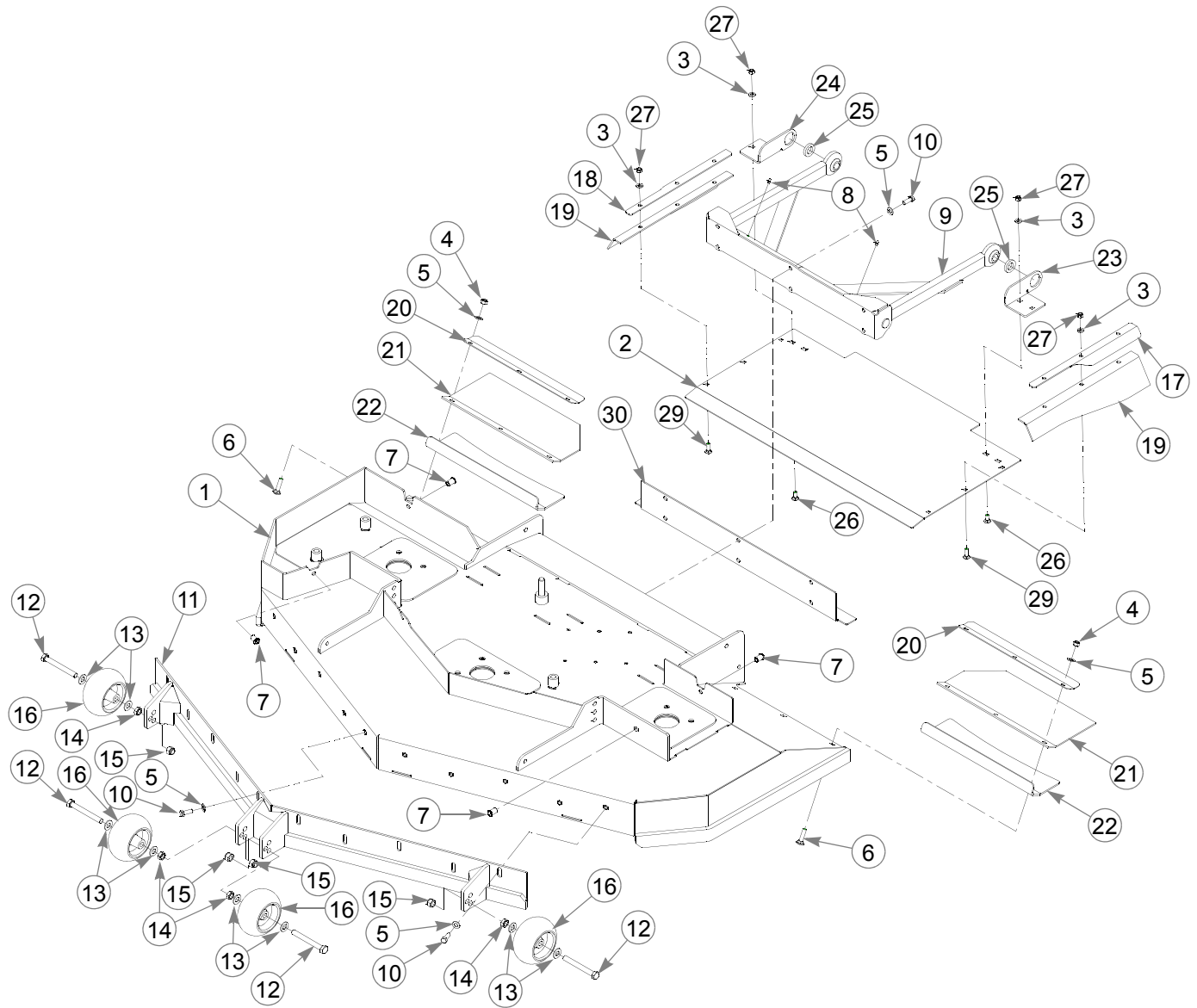
60" Rear Discharge Deck Assy—S/N 08080000 & Higher

ITEM NO.	SERVICE PART NO.	MFG. PART NO.	QTY.	DESCRIPTION
2	1	N/A	1	60" REAR DISCHARGE DECK
	2	109484	1	DISCHARGE SHIELD
	3	109485	1	GUARD MTG ANGLE
	4	349803	1	PUSHER
	5	109483	1	CHUTE BRACKET LS
	6	109482	1	CHUTE BRACKET RS
	7	058776	10	NT .312-18 HXZY NL
	8	768523	10	FW .343 X .687 X .051/.080 HD ZN
	9	778399	2	FW .781 X 1.375 X .250 ZNYC
	10	015495	2	STRAIGHT GREASE FITTING
	11	767954	22	FW .406 X .812 X .060 SAE HD ZN
	12	036244	16	CS .375-16 X 1.00 HX G5 ZN
	13	109487	1	CLAMP ANGLE RS
	14	601483	2	SIDE FLAP RUBBER
	15	109486	1	CLAMP ANGLE LS
	16	016253	4	CB .312-18 X .750 FUL ZN
	17	037887	6	CB .312-18 X 1.000 FUL Z
	18	086660	6	NT .375-16 HX LK NY
	19	106716	2	ANGLE, DISCHARGE CHUTE
	20	600254	2	RD REAR FLAP
	21	351676	2	DECK STIFFENER ANGLE
	22	601069	3	CN .312-18X.200
	23	710194	6	CB .375-16 X 1.50 STD G5
	24	792887	1	5/16-18 HX TH RIVET NUT
	25	352591	1	60" REAR DISCHARGE FRONT ANGLE
	26	781567	4	NT .50-13 HXZY NL
	27	788166	4	ANTI SCALP WHEEL ASSEMBLY
	28	781708	4	CS .500-13 X 4.25 HX G5 ZN
	29	767962	8	FW .531 X 1.063 X .090 SAE HD ZN
	30	031997	4	ANTI-SCALP WHEEL
	31	053199	4	NT .500-13 HX JAM ZN

NOTES:

1. Includes items 28–31.

60" Rear Discharge Deck Assy—S/N 08010000—08080000



DEFLECTOR DETAIL

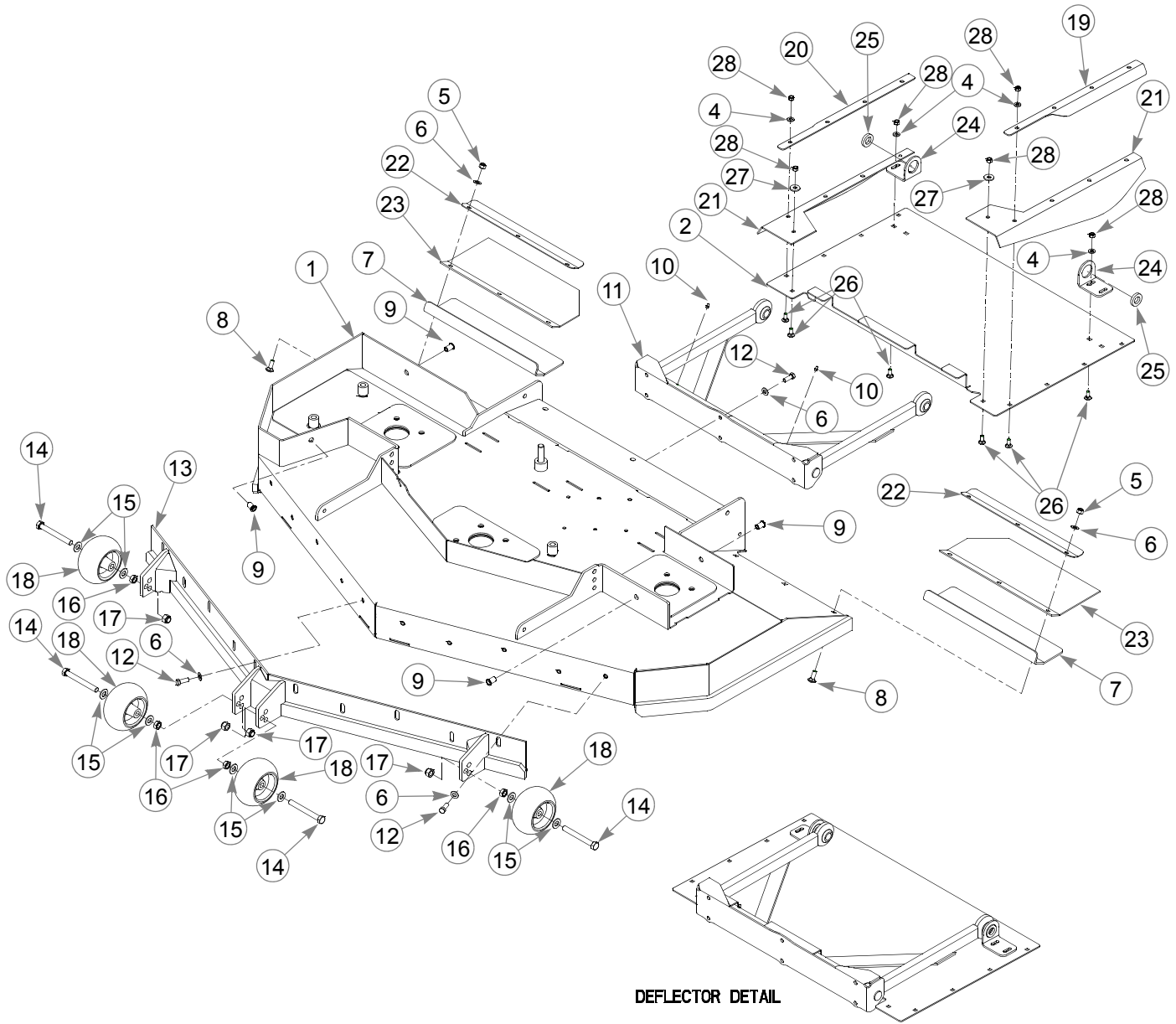
60" Rear Discharge Deck Assy—S/N 08010000–08080000

ITEM NO.	SERVICE PART NO.	MFG. PART NO.	QTY.	DESCRIPTION
3 1	547398	351395	1	60" REAR DISCHARGE DECK
2	109484	109484	1	DISCHARGE SHIELD
3	768523	768523	10	FW .343 X .687 X .051/.080 HD ZN
4	086660	086660	6	NT .375-16 HX LK NY
5	767954	767954	26	FW .406 X .812 X .060 SAE HD ZN
6	710194	710194	6	CB .375-16 X 1.50 STD G5
7	808485	808485	4	5/16-18 THREAD RIVET NUT
8	015495	015495	2	STRAIGHT GREASE FITTING
9	349803	349803	1	PUSHER
10	036244	036244	20	CS .375-16 X 1.00 HX G5 ZN
11	352591	352591	1	60" REAR DISCHARGE FRONT ANGLE
12	781708	N/A	4	CS .500-13 X 4.25 HX G5 ZN
13	767962	N/A	8	FW .531 X 1.063 X .090 SAE HD ZN
14	053199	N/A	4	NT .500-13 HX JAM ZN
15	781567	781567	4	NT .50-13 HXZY NL
16	031997	N/A	4	ANTI-SCALP WHEEL
17	109486	109486	1	CLAMP ANGLE LS
18	109487	109487	1	CLAMP ANGLE RS
19	601483	601483	2	SIDE FLAP RUBBER
20	106716	106716	2	ANGLE, DISCHARGE CHUTE
21	600254	600254	2	RD REAR FLAP
22	351676	351676	2	DECK STIFFENER ANGLE
23	109482	109482	1	CHUTE BRACKET RS
24	109483	109483	1	CHUTE BRACKET LS
25	778399	778399	2	FW .781 X 1.375 X .250 ZNYC
26	016253	016253	4	CB .312-18 X .750 FUL ZN
27	058776	058776	10	NT .312-18 HXZY NL
28	107927	107927	2	BAFFLE INNER 60" RD
29	037887	037887	6	CB .312-18 X 1.000 FUL Z
30	109485	109485	1	GUARD MTG ANGLE
1 2	788166	788166	4	ANTI SCALP WHEEL ASSEMBLY

NOTES:

1. Factory assembled in top hole for shipping purposes.
2. Includes Items 12 through 14 and 16.
3. Service part deck includes idler components from "60" Rear Disch. Deck Pulley Assy—S/N 08080000 & Higher" on page 7-26 and decals, see "60" Rear Discharge Deck Decals" on page 9-6.

60" Rear Discharge Deck Assy—S/N Prior To 08010000



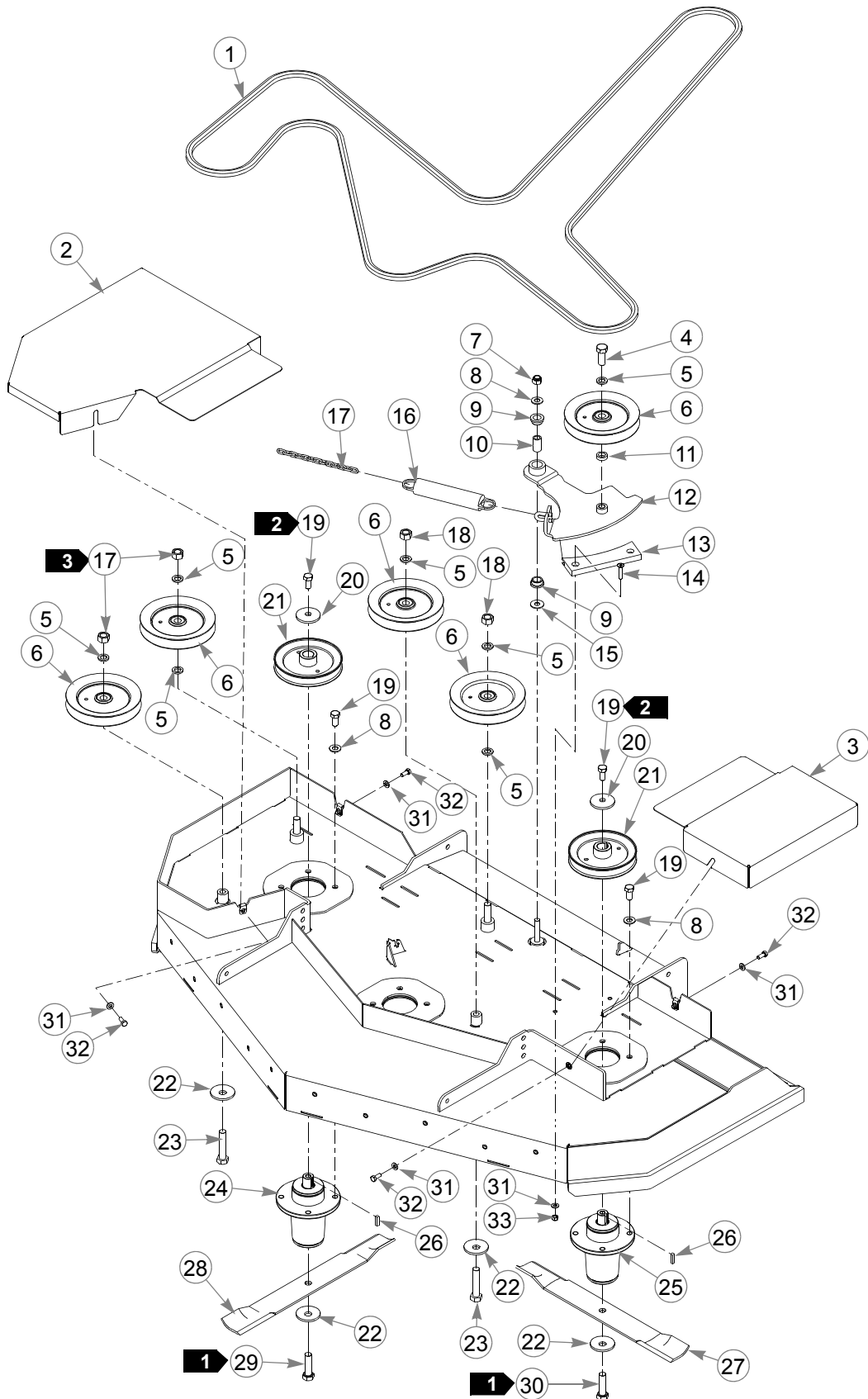
60" Rear Discharge Deck Assy—S/N Prior To 08010000

ITEM NO.	SERVICE PART NO.	MFG. PART NO.	QTY.	DESCRIPTION
3 1	547398	351395	1	60" REAR DISCHARGE DECK
2	106781	106781	1	RD DECK GUARD
3	034280	034280	3	CS .312-18 X .750 HX G5
4	768523	768523	15	FW .343 X .687 X .051/.080 HD ZN
5	086660	086660	10	NT .375-16 HX LK NY
6	767954	767954	22	FW .406 X .812 X .060 SAE HD ZN
7	351676	351676	2	DECK STIFFENER ANGLE
8	025395	025395	6	CB .375-16 X 1.00 STD CD
9	N/A	808485	4	5/16-18 THREAD RIVET NUT
10	015495	015495	2	STRAIGHT GREASE FITTING
11	349803	349803	1	PUSHER
12	036244	036244	16	CS .375-16 X 1.00 HX G5 ZN
13	352591	352591	1	60" REAR DISCHARGE FRONT ANGLE
14	781708	N/A	4	CS .500-13 X 4.25 HX G5 ZN
15	767962	N/A	8	FW .531 X 1.063 X .090 SAE HD ZN
16	053199	N/A	4	NT .500-13 HX JAM ZN
17	781567	781567	4	NT .50-13 HXZY NL
18	031997	N/A	4	ANTI-SCALP WHEEL
19	106724	106724	1	RD DEFLECTOR CLAMP LS ANGLE
20	106666	106666	1	RD DEFLECTOR CLAMP RS ANGLE
21	600262	600262	2	RD SIDE FLAP
22	106716	106716	2	ANGLE, DISCHARGE CHUTE
23	600254	600254	2	RD REAR FLAP
24	106591	106591	2	RD DECK GUARD BRACKET
25	778399	778399	2	FW .781 X 1.375 X .250 ZNYC
26	016253	016253	14	CB .312-18 X .750 FUL ZN
27	712927	712927	2	FW .344 X 1.00 X .12 HRD ZN
28	058776	058776	14	NT .312-18 HXZY NL
1 2	788166	788166	4	ANTI SCALP WHEEL ASSEMBLY

NOTES:

1. Factory assembled in top hole for shipping purposes.
2. Includes Items 14 through 16 and 18.
3. Service part deck includes idler components from "60" Rear Disch. Deck Pulley Assy—S/N 08080000 & Higher" on page 7-26 and decals, see "60" Rear Discharge Deck Decals" on page 9-6.

60" Rear Disch. Deck Pulley Assy—S/N 08080000 & Higher



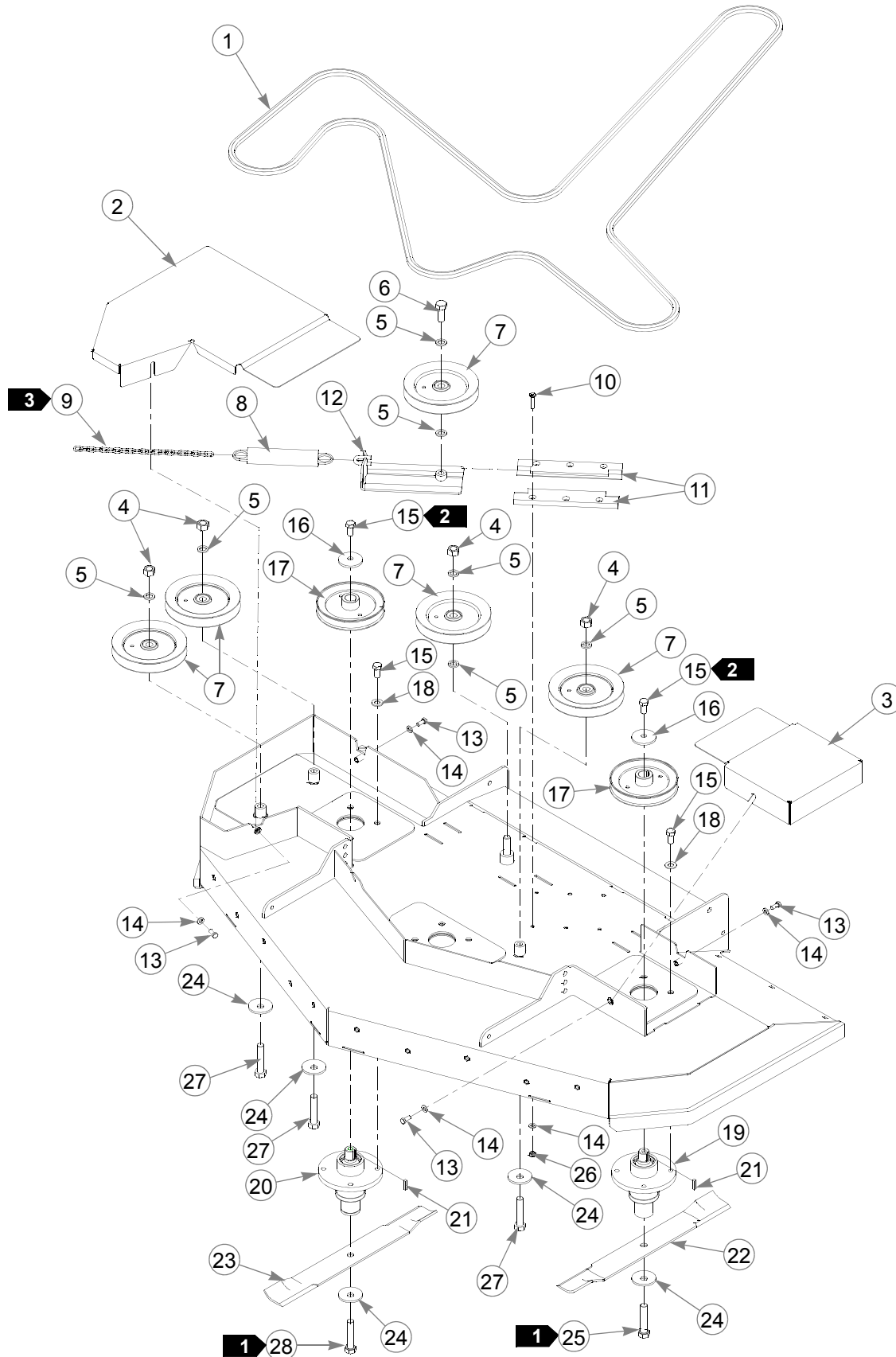
60" Rear Disch. Deck Pulley Assy—S/N 08080000 & Higher

ITEM NO.	SERVICE PART NO.	MFG. PART NO.	QTY.	DESCRIPTION	
1	795781	795781	1	60" REAR DISCHARGE DECK BELT	
2	110411	110411	1	PULLEY COVER, RH,60"	
3	110412	110412	1	PULLEY COVER, LH,60"	
4	794446	794446	1	CS .625-11X1.500 HX G5 Z	
5	028118	028118	7	FW .62 X 1.00 X .134 ZN	
6	796714	796714	5	6" HB IDLER PULLEY RD	
7	781567	781567	1	NT .500-13 HX G8 ZY NL	
8	767962	767962	13	FW .531 X 1.063 X .090 SAE HD ZN	
9	770867	770867	2	BUSHING, PLAS .750X1(FS)	
10	109549	109549	1	BUSHING, IDLER PIVOT	
11	600296	600296	1	DECK IDLER SPACER	
12	109948	109948	1	IDLER ARM W/A	
13	601779	601779	1	IDLER SLIDE UHMW	
14	797910	797910	2	CS .312-18X1.50FLT SH ZY	
15	704759	704759	1	FW .500X 1.250X.075 ZNY	
16	781302	781302	1	IDLER SPRING	
17	259812	059931	1	DECK LIFT CHAIN (13 LINKS)	
18	016972	016972	4	NT .625-11 HX G5 ZNYC	
19	016527	016527	15	CS .500-13 X 1.00 HX G5 ZN	
20	752386	752386	3	FW .510 X 1.75 X .18 ZN	
21	770842	770842	3	B-SECTION PULLEY	
22	782474	782474	5	CW .631 X 2.250 X .187 PNT	
23	783738	783738	2	CS .625-11X3.00 FULL HX G5 ZN	
6	24	601819	601819	1	REAR DISCHARGE DECK SPINDLE ASSEMBLY
5		796680X	N/A	1	REAR DISCHARGE DECK SPINDLE ASSEMBLY
6	25	601630	601630	2	DECK SPINDLE ASSY
4		796235X	N/A	2	DECK SPINDLE ASSY
	26	212472	212472	3	KEY 1/4 SQ X 1.00 LONG
	27	600901	600901	2	BLADE, F20.50"-L-F-CW
	28	795633	795633	1	BLADE, F20.50"-L-F-CCW
6	29	601999	601999	1	CS .625-11 X 2.25 LH H5Y
5		796722	N/A	1	CS .625-11 X 3.00 LH HX G
6	30	601983	601983	2	CS .625-11 X 2.25 HX G5 ZNYC
4		029934	N/A	2	CS .625-11 X 3.00 HX G5 ZNYC
	31	768523	768523	5	FW .343X.687X.051/.080H
	32	034280	034280	4	CS .312-18X .750 HX G5
	33	058776	058776	1	NT .312-18 HXZY NL

NOTES:

1. Torque to 160 N-m.
2. Torque to 88.1-101.7N-m.
3. See "72" & 60" Rear Discharge Belt Routing and Tensioning" on page 8-5 for belt tensioning.
4. Used on mowers with serial numbers prior to 09110001. See "Spindle Assembly—796235" on page 7-30 for breakdown.
5. Used on mowers with serial numbers prior to 09110001. See "Spindle Assembly—796680" on page 7-31 for breakdown.
6. Used on mowers with serial numbers higher than 09110001.

60" Rear Disch. Deck Pulley Assy-S/N 08010000-08080000



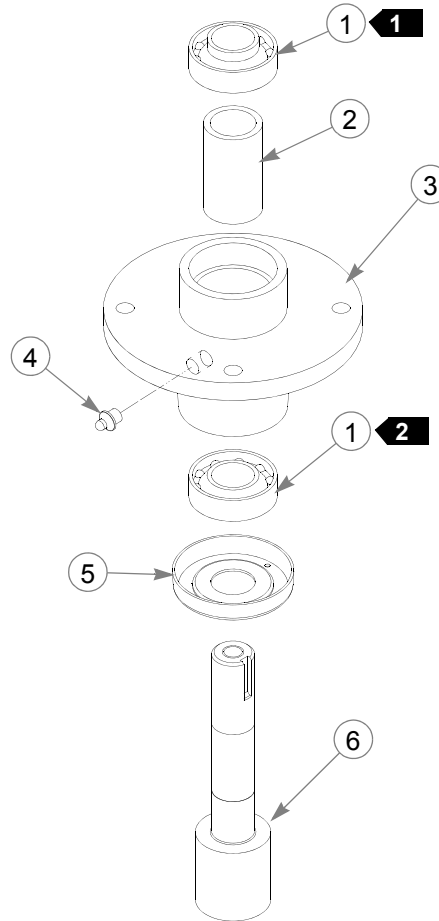
60" Rear Disch. Deck Pulley Assy-S/N 08010000–08080000

ITEM NO.	SERVICE PART NO.	MFG. PART NO.	QTY.	DESCRIPTION
1	795781	795781	1	60" REAR DISCHARGE DECK BELT
2	351924	351924	1	RIGHT 60" REAR DISCHARGE PULLEY COVER
3	351932	351932	1	LEFT 60" REAR DISCHARGE PULLEY COVER
4	016972	016972	4	NT .625-11 HX G5 ZNYC
5	028118	028118	7	FW .62 X 1.00 X .134 ZN
6	794446	794446	1	CS .625-11 X 1.500 HX G5
7	796714	796714	5	6" HB IDLER PULLEY RD
8	781302	781302	1	IDLER SPRING
9	373191	059931	1	SIDE MOUNT CHAIN (21 LINKS)
10	797910	797910	6	CS .312-18 X 1.50FLT SH ZY
6	601434	601434	2	UHMW IDLER SLIDE
12	350884	350884	1	REAR DISCHARGE DECK IDLER
13	034280	034280	4	CS .312-18 X .750 HX G5
14	768523	768523	8	FW .343 X .687 X .051/.080 HD ZN
15	016527	016527	15	CS .500-13 X 1.00 HX G5 ZN
16	752386	752386	3	CW .515X 2.25X .204 ZN
4	770842	770842	3	B-SECTION PULLEY
18	767962	767962	12	FW .531 X 1.063 X .090 SAE HD ZN
5	796235X	796235	2	SPINDLE HOUSING ASSEMBLY
5	796680X	796680	1	REAR DISCHARGE DECK SPINDLE ASSEMBLY
21	212472	212472	3	KEY 1/4 SQ X 1.00 LONG
22	600901	600901	2	BLADE, F20.50"-L-F-CW
23	795633	795633	1	BLADE, F20.50"-L-F-CCW
24	782474	782474	6	CW .631 X 2.250 X .187 PNT
25	029934	029934	2	CS .625-11 X 3.00 HX G5 ZNYC
26	058776	058776	4	NT .312-18 HXZY NL
27	783738	783738	3	CS .625-11 X 3.00 FULL HX G5 ZN
28	796722	796722	1	CS .625-11 X 3.00 LH HX G

NOTES:

1. Torque to 160 N-m.
2. Torque to 88.1-101.7N-m.
3. See "72" & 60" Rear Disch. Belt Routing and Tensioning" on page 8-6 for belt tensioning.
4. See "Spindle Assembly—796235" on page 7-30 for breakdown.
5. See "Spindle Assembly—796680" on page 7-31 for breakdown.
6. Item 11 (601434) replaces idler slide components 600171, 600189 and 786335 found on mowers with serial numbers prior to 08010000.

Spindle Assembly—796235

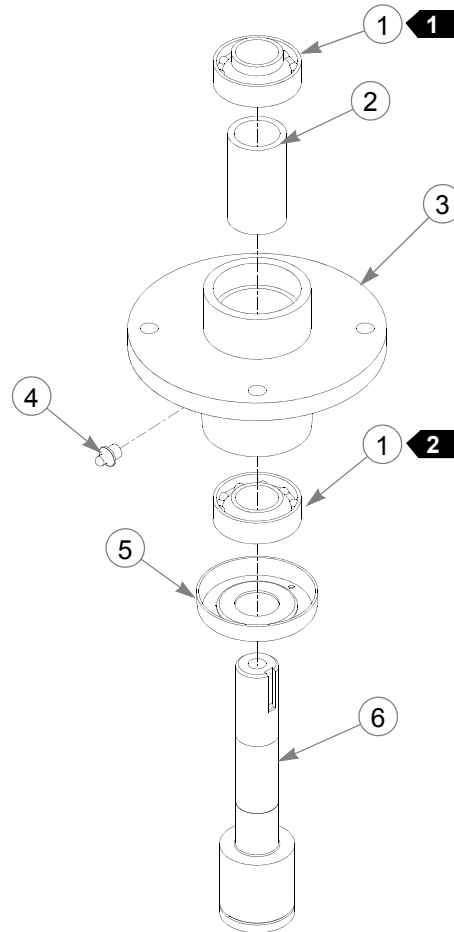


ITEM NO.	SERVICE PART NO.	MFG. PART NO.	QTY.	DESCRIPTION
1	077123	N/A	2	BEARING W/O COLLAR
2	766204	N/A	1	BLADE SPINDLE BUSHING
3	034843	N/A	1	CAST SPINDLE HOUSING
4	012005	N/A	1	GREASE FITTING
5	600893	N/A	1	BEARING DUST COVER
6	796227	N/A	1	SADDLELESS SPINDLE SHAFT

NOTES:

1. Inst all upper bearing with extended inner race up.
2. Inst all lower bearing with extended inner race down.

Spindle Assembly—796680



ITEM NO.	SERVICE PART NO.	MFG. PART NO.	QTY.	DESCRIPTION
1	077123	N/A	2	BEARING W/O COLLAR
2	766204	N/A	1	BLADE SPINDLE BUSHING
3	034843	N/A	1	CAST SPINDLE HOUSING
4	012005	N/A	1	GREASE FITTING
5	600893	N/A	1	BEARING DUST COVER
6	796698	N/A	1	SPINDLE SHAFT

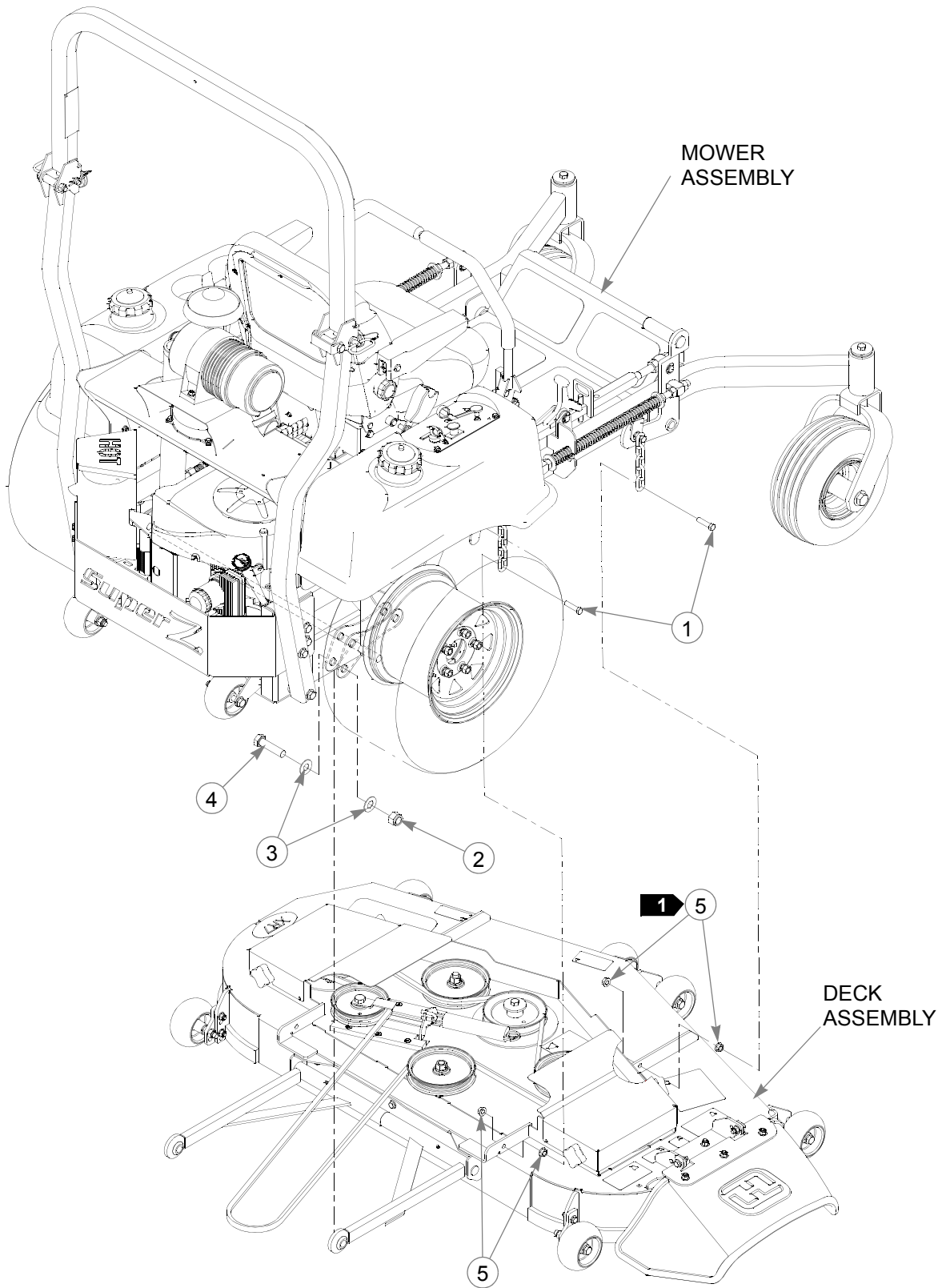
NOTES:

1. Inst all upper bearing with extended inner race up.
2. Inst all lower bearing with extended inner race down.

Section 8

Deck Installation	8-2
60" Side Discharge Belt Routing and Tensioning	8-4
72" & 60" Rear Discharge Belt Routing and Tensioning	8-5
72" & 60" Rear Disch. Belt Routing and Tensioning	8-6
Seat Installation—S/N Higher Than 08010004	8-8
Seat Installation—S/N Prior To 08010004	8-10
ROPS Installation	8-12

Deck Installation

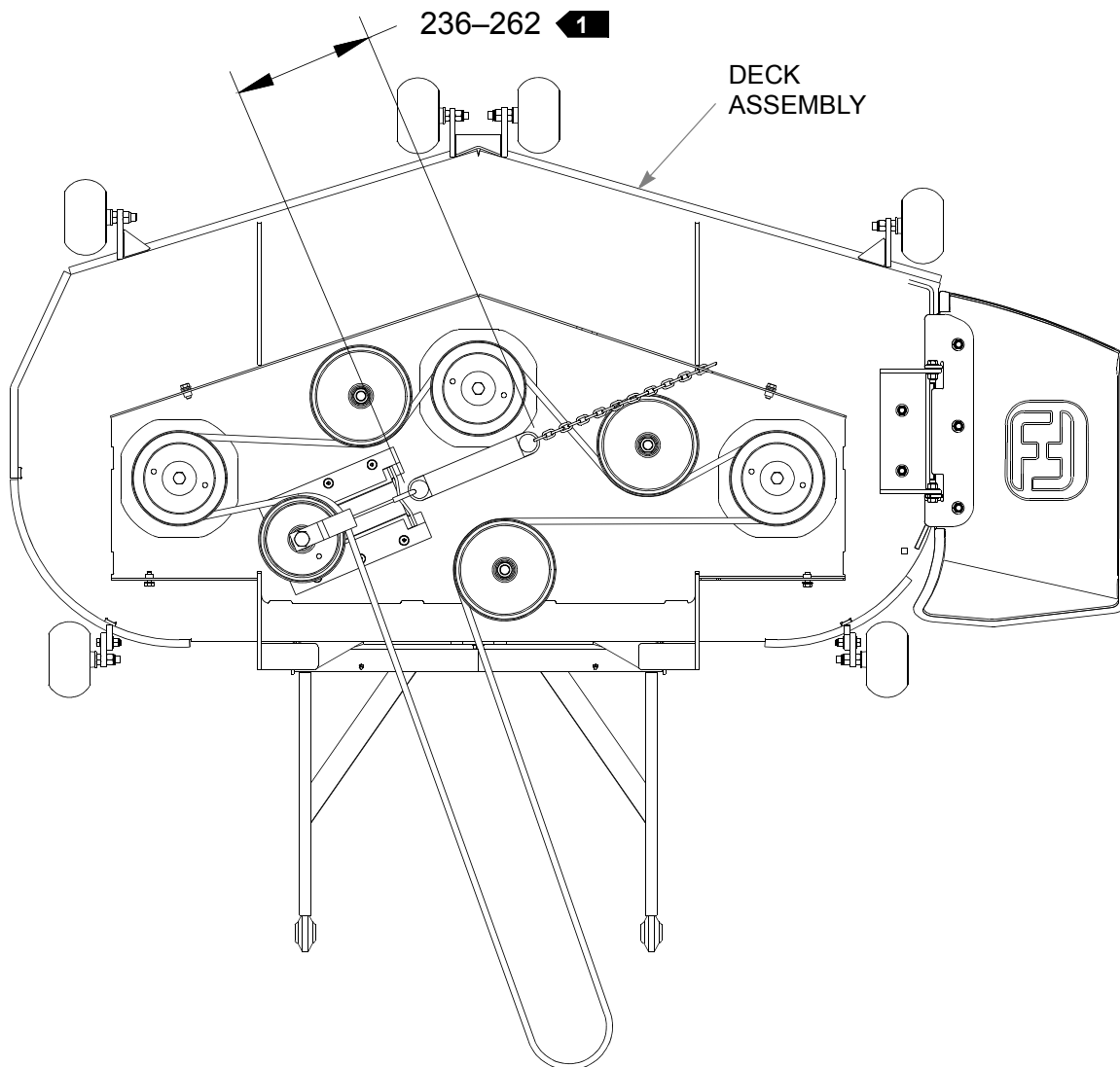


Deck Installation

ITEM NO.	SERVICE PART NO.	MFG. PART NO.	QTY	DESCRIPTION
1	055749	055749	4	CS .437 -14 X 1.750 HX G5 ZN
2	061101	061101	2	NT .750 -10 HX NL ZN
3	025296	025296	4	FW .760 X 1.625 X .08 ZN
4	051169	051169	2	CS .750 -10 X 3.000 HX G5 ZN
5	704643	704643	8	NT .437 -14 HX FLG ZN

NOTES:

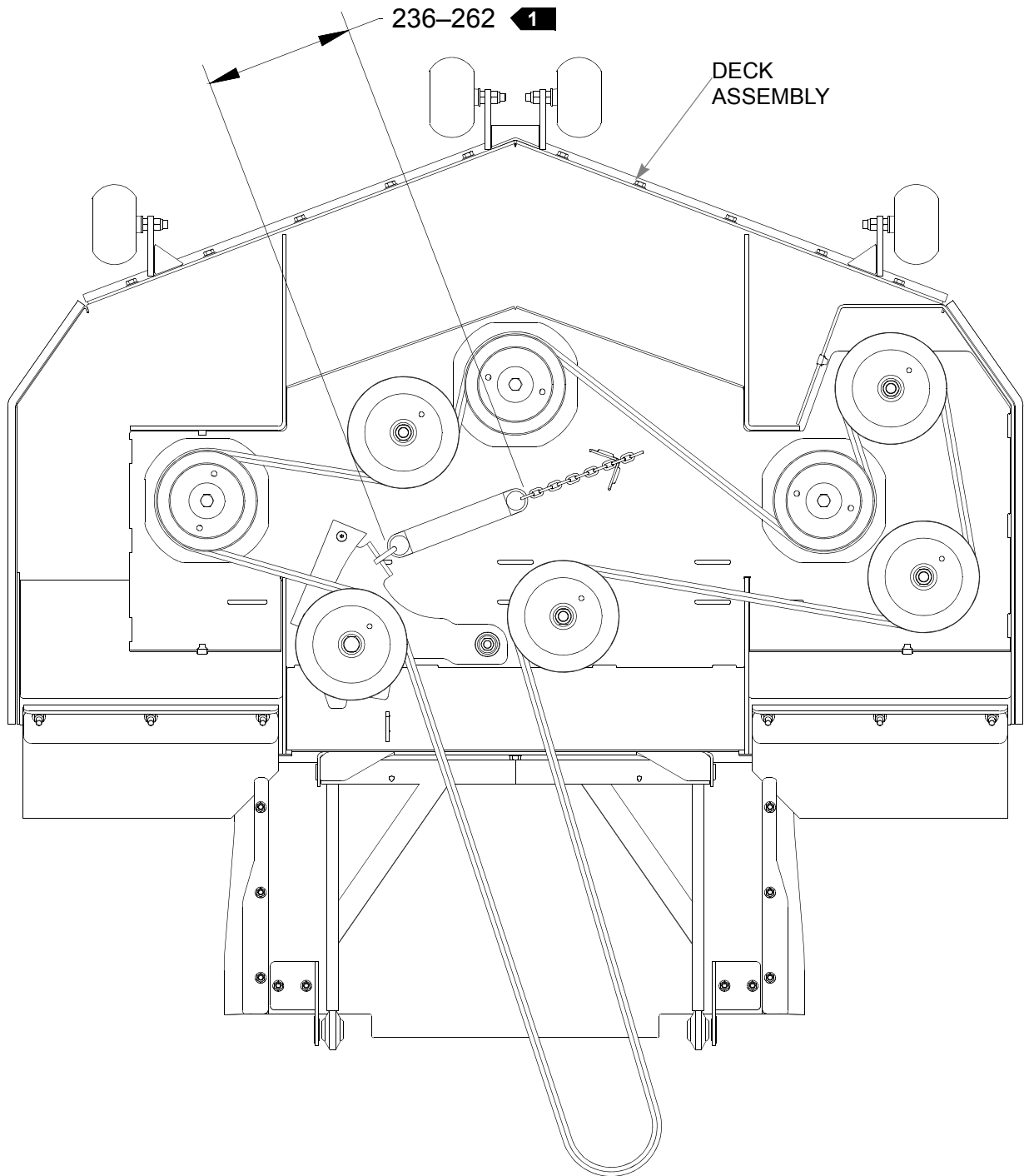
60" Side Discharge Belt Routing and Tensioning



NOTES:

1. Spring length after tensioning belt. Measure spring from outside of hook to outside of hook with deck set at leveling height.
2. Route belt as shown.

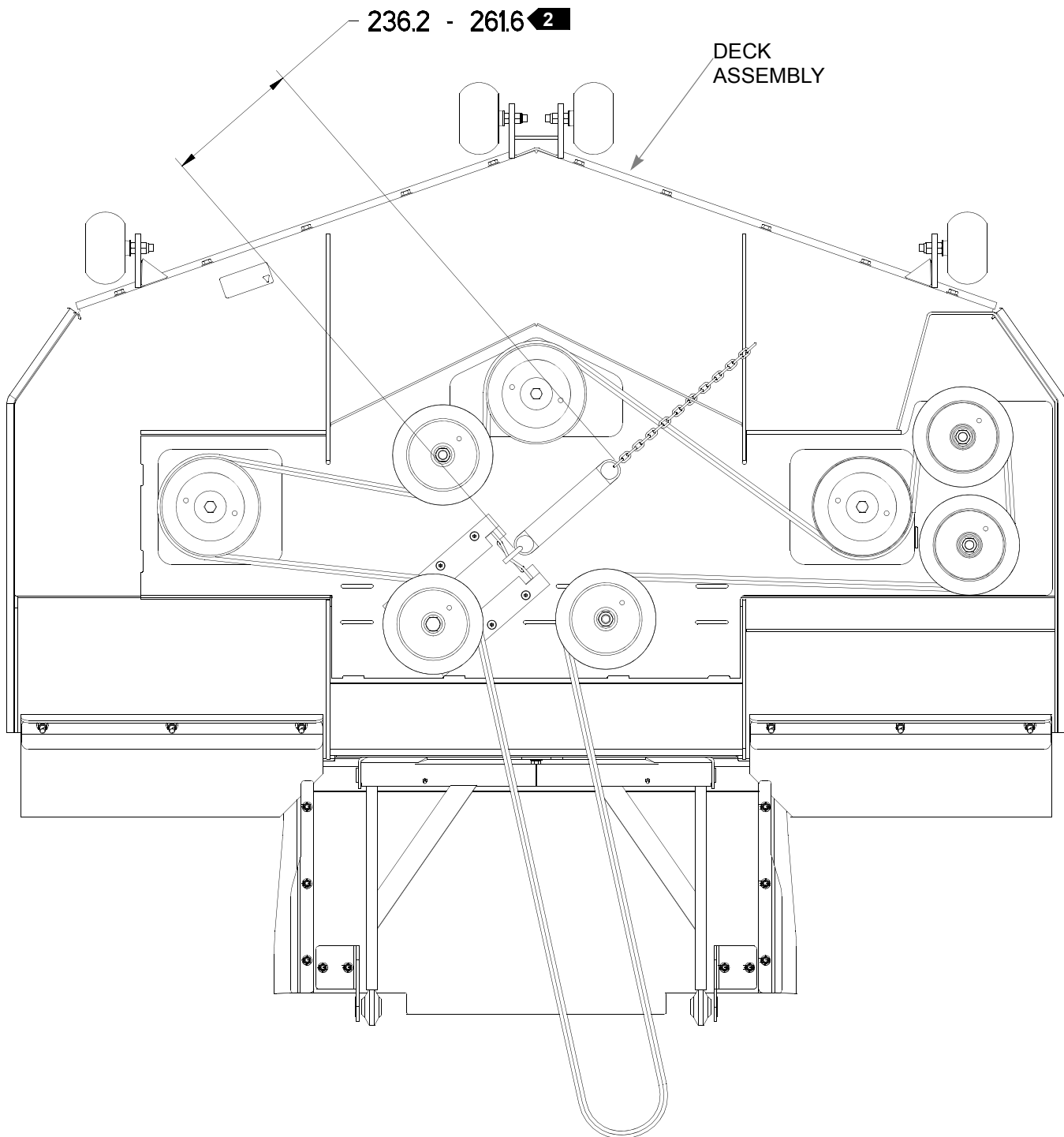
72" & 60" Rear Discharge Belt Routing and Tensioning **3**



NOTES:

1. Spring length after tensioning belt. Measure spring from outside of hook to outside of hook with deck set at leveling height.
2. Route belt as shown.
3. For mowers with serial numbers higher than 08080000.

72" & 60" Rear Disch. Belt Routing and Tensioning ◀ 1

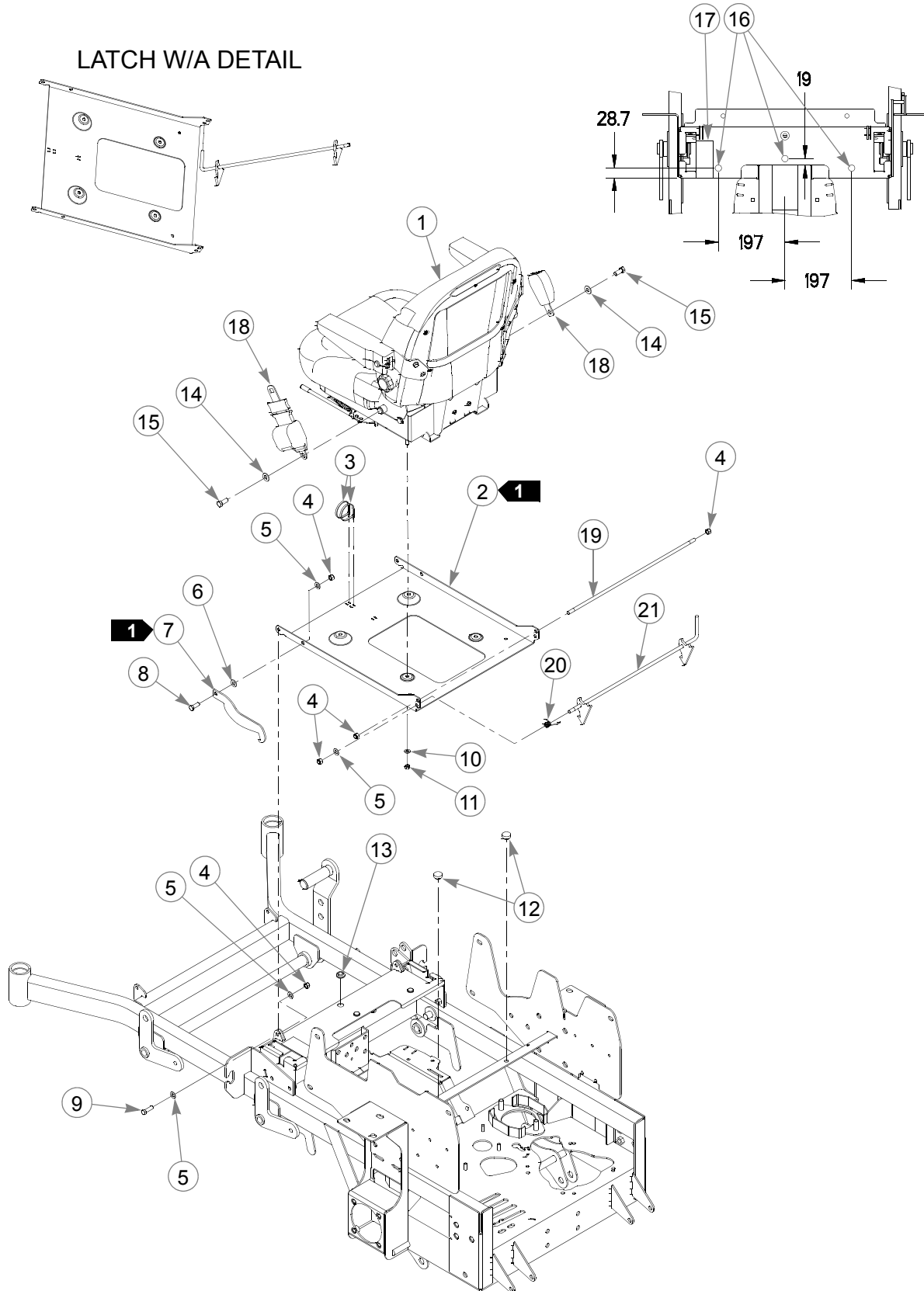


NOTES:

1. For mowers with serial numbers prior to 08080000.
2. Spring length after tensioning belt. Measure spring from outside of hook to outside of hook with deck set at leveling height.
3. Route belt as shown.

This page intentionally left blank.

Seat Installation—S/N Higher Than 08010004



Seat Installation—S/N Higher Than 08010004

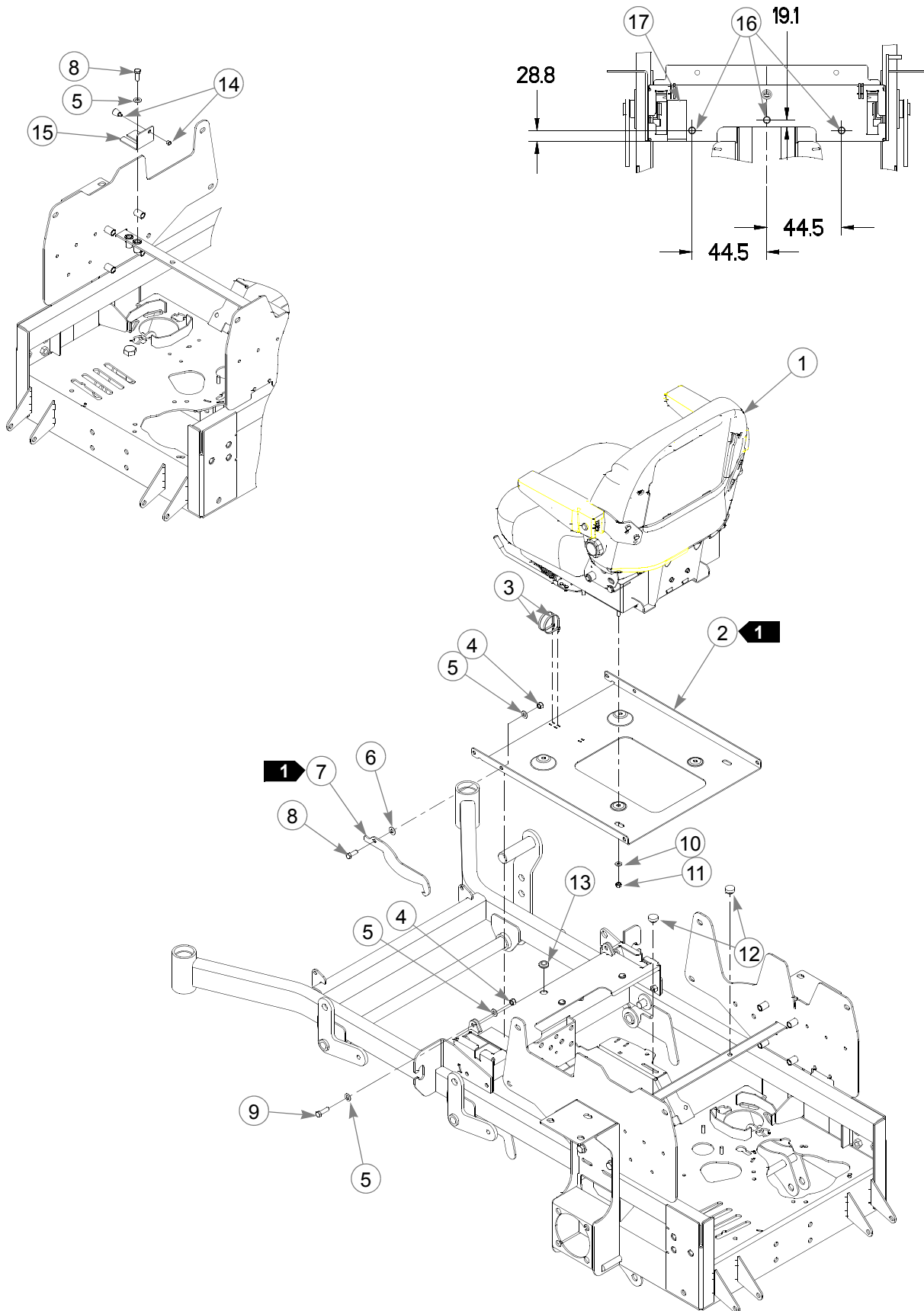
INDEX NO.	SERVICES PART NO.	MFG. PART NO.	QTY	DESCRIPTION
1	792051	792051	1	MICHIGAN SUSPENSION SEAT
2	109307	109307	1	SEAT PAN
3	000331	000331	2	BLACK CABLE TIE
4	086660	086660	6	NT .375-16 HX LK NY
5	767954	767954	6	FW .406 X .812 X .060 SAE HD ZN
6	724716	724716	1	FIBER WASHER
7	350421	350421	1	SEAT PAN STOP
8	036244	036244	1	CS .375-16 X 1.000 HX G5 ZN
9	052860	052860	2	CS .375-16 X1.250 HX G5 ZN
10	768523	768523	4	FW .343 X .687 X .051/.080 HD ZN/Y
11	034272	034272	4	NT .312-18 HX G5 ZN
12	781880	781880	2	BUMPER
13	080358	080358	1	GM .50 X 1.00 X .75 X .12 GROMMET
14	017129	017129	2	FW .440 X 1.000 X.083 ZNY
15	797076	797076	2	CS .437-20 X1.250 G5 ZNY
16	781617	781617	3	RUBBER BUMPER
17	722199	722199	1	2" WIDE SCOTCH POLYURETHANE 5.55" LONG
18	601444	601444	1	SEAT BELT
19	109283	109283	1	SEAT LATCH STOP ROD
20	783910	783910	1	ROPS LATCH TORSION SPRING
21	109274	109274	1	LATCH W/A

NOTES:

1. Must pivot freely.
2. Service parts available for Michigan Suspension seat;

<u>PART NO.</u>	<u>DESCRIPTION</u>
793315	SEAT SWITCH
793307	SLIDE KIT
793323	KNOB KIT
793265	ONE ARMREST (SQUARE STYLE W/O BRACKET)
797480	ONE ARMREST (ROUND STYLY W/O BRACKET)
793273	ARMREST STOP ASSY
793281	BACK CUSHION KIT
793299	SEAT CUSHION KIT
797571	SEAT BACK

Seat Installation—S/N Prior To 08010004



Seat Installation—S/N Prior To 08010004

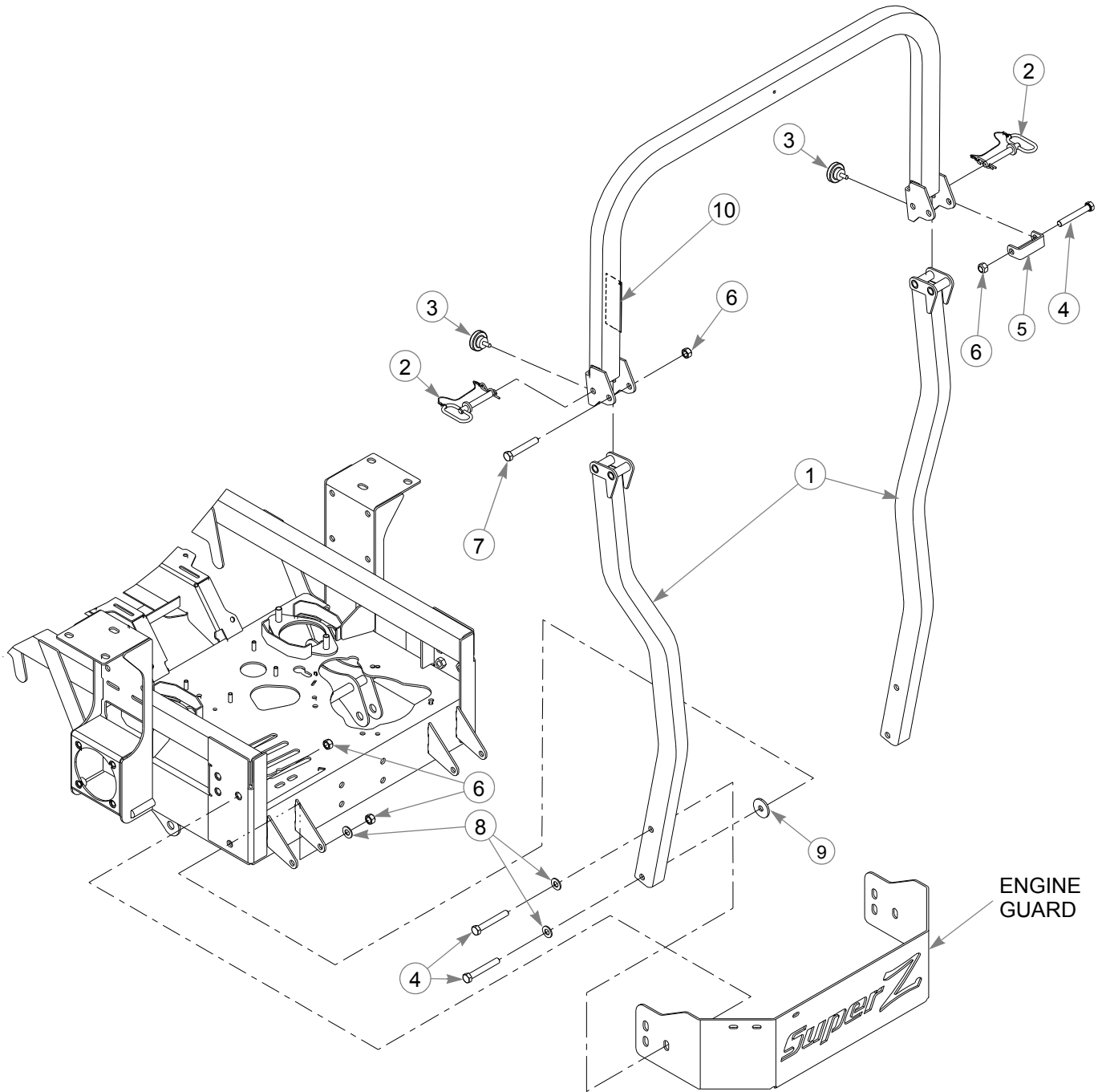
INDEX NO.	SERVICES PART NO.	MFG. PART NO.	QTY	DESCRIPTION
1	792051	792051	1	MICHIGAN SUSPENSION SEAT
2	350041	350041	1	SEAT PAN
3	000331	000331	2	BLACK CABLE TIE
4	086660	086660	3	NT .375-16 HX LK NY
5	767954	767954	7	FW .406 X .812 X .060 SAE HD ZN
6	724716	724716	1	FIBER WASHER
7	350421	350421	1	SEAT PAN STOP
8	036244	036244	3	CS .375-16 X 1.000 HX G5 ZN
9	052860	052860	2	CS .375-16 X1.250 HX G5 ZN
10	768523	768523	4	FW .343 X .687 X .051/.080 HD ZN/Y
11	034272	034272	4	NT .312-18 HX G5 ZN
12	781880	781880	2	BUMPER
13	080358	080358	1	GM .50 X 1.00 X .75 X .12 GROMMET
14	748756	748756	1	LATCH SPRING PLUNGER
15	350462	350462	1	SEAT LATCH BRACKET
16	781617	781617	3	RUBBER BUMPER
17	722199	722199	1	2" WIDE SCOTCH POLYURETHANE 5.55" LONG

NOTES:

1. Must pivot freely.
2. Service parts available for Michigan Suspension seat;

<u>PART NO.</u>	<u>DESCRIPTION</u>
793315	SEAT SWITCH
793307	SLIDE KIT
793323	KNOB KIT
793265	ONE ARMREST (SQUARE STYLE W/O BRACKET)
797480	ONE ARMREST (ROUND STYLY W/O BRACKET)
793273	ARMREST STOP ASSY
793281	BACK CUSHION KIT
793299	SEAT CUSHION KIT
797571	SEAT BACK

ROPS Installation



ROPS Installation

ITEM NO.	SERVICE PART NO.	MFG. PART NO.	QTY	DESCRIPTION
1	601440	N/A	1	ROPS
2	601471	N/A	2	LYNCH PIN W/ LANYARD
3	601470	N/A	2	KNOB
4	061812	N/A	5	CS .500 -13 X 3.500 HX G5
5	601472	N/A	1	ROPS STOP
6	023317	N/A	6	NT .500 -13 X UNT LK G5 ZN
7	077859	N/A	1	CS .500 -13 X 3.250 HX G5
8	767962	N/A	6	FW .531 X 1.063 X .090 SAE
9	601473	N/A	2	SPACER WASHER
10	601560	N/A		ROPS WARNING DECAL

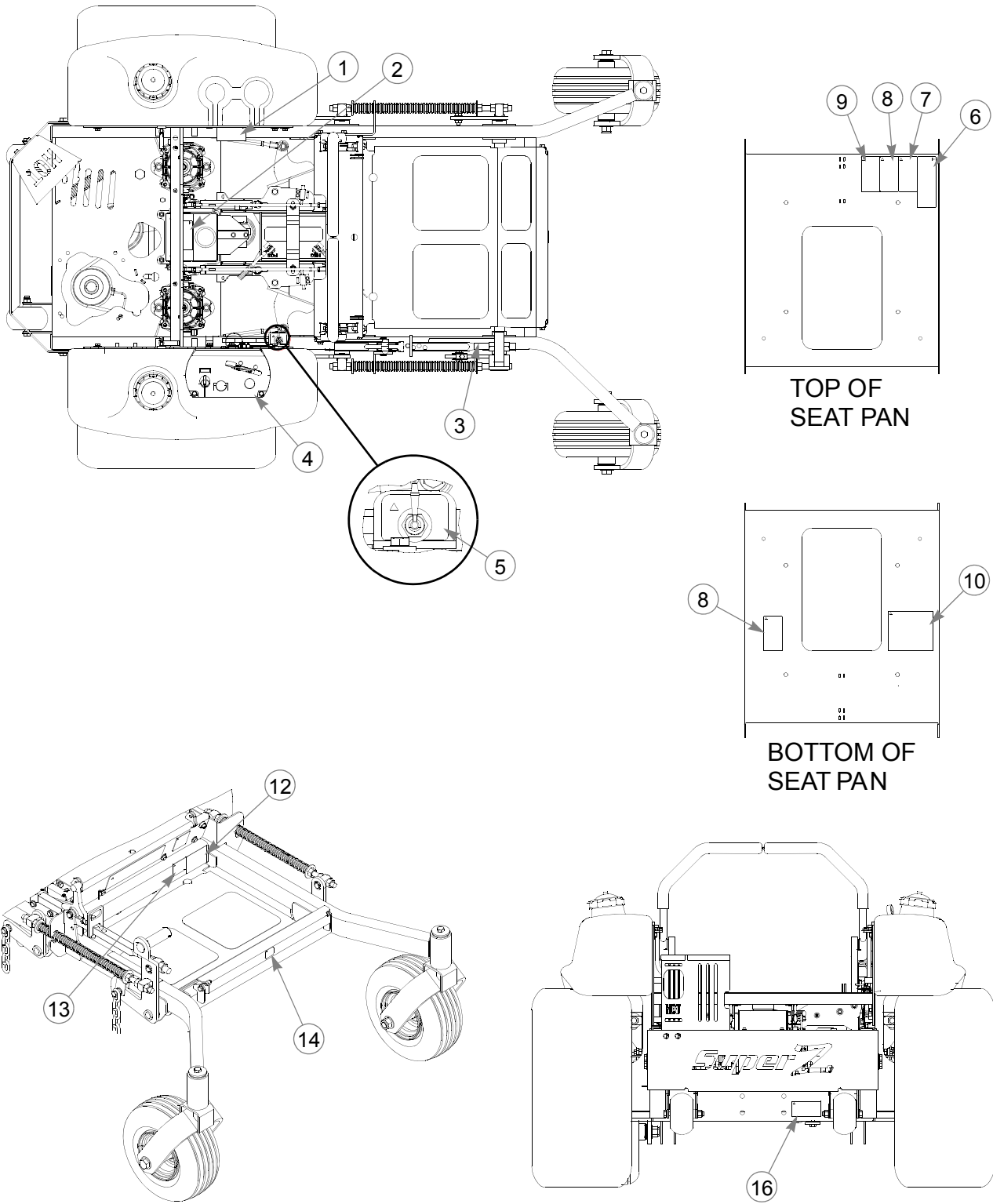
NOTES:



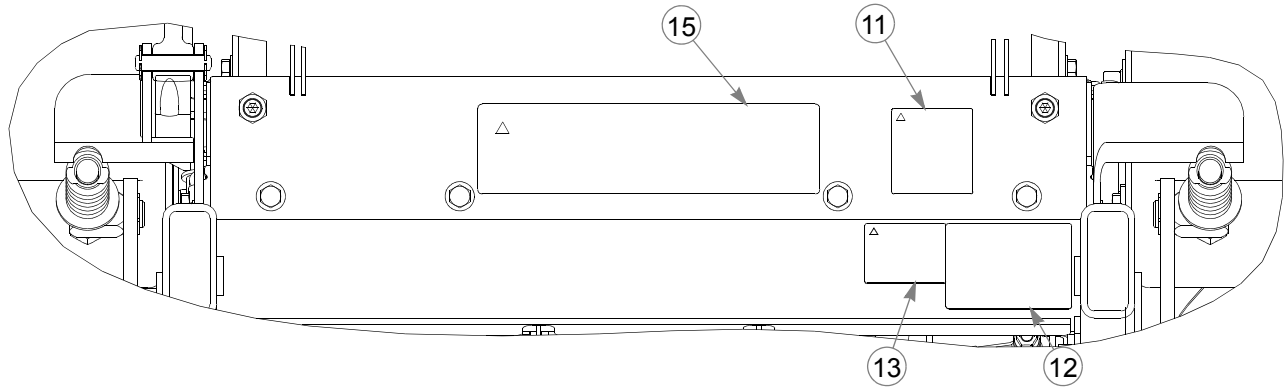
Section 9

Mower Decals	9-2
60" Side Discharge Deck Decals(XR7)	9-4
72" Rear Discharge Deck Decals	9-5
60" Rear Discharge Deck Decals	9-6

Mower Decals



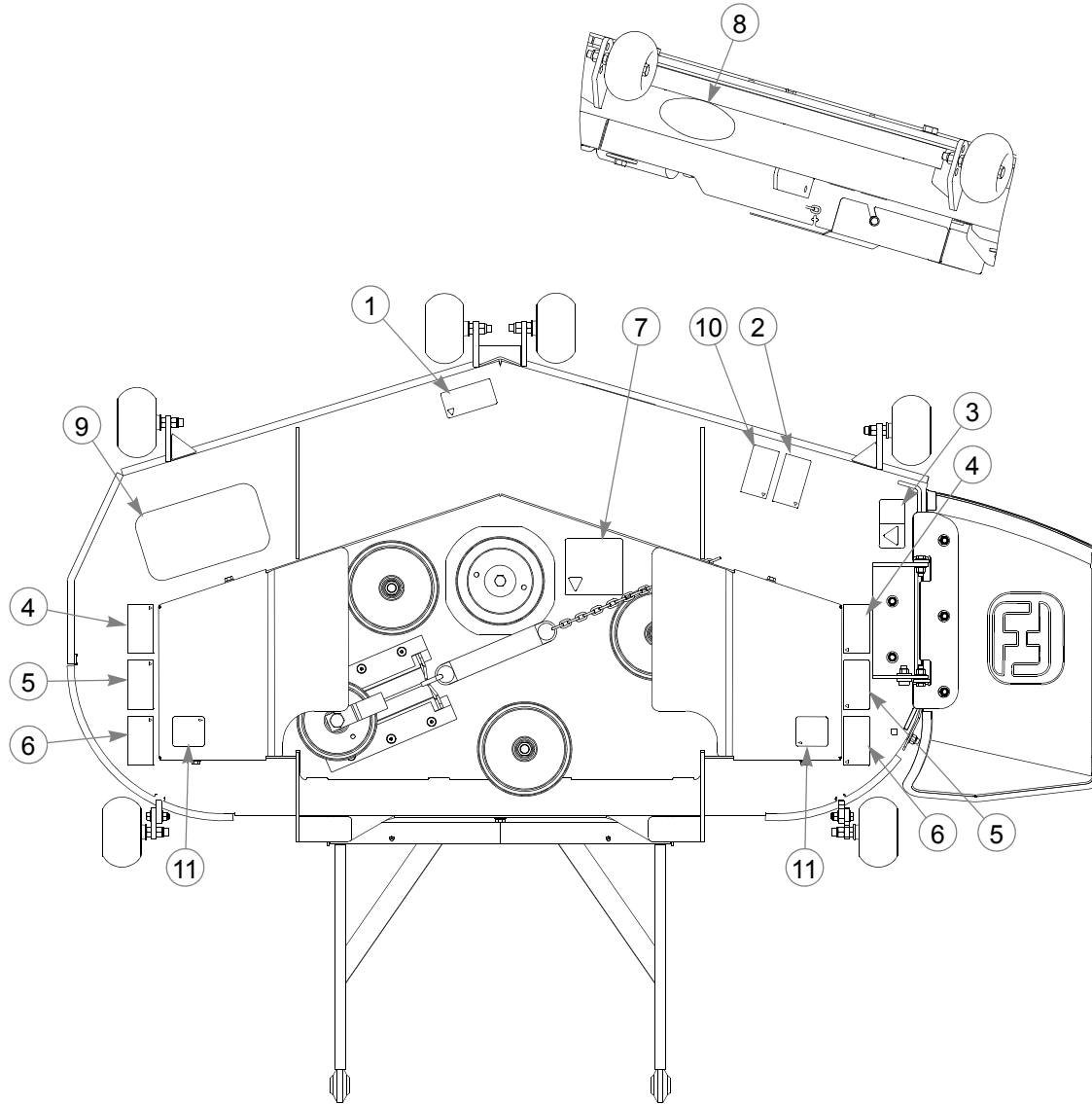
Mower Decals



INDEX NO.	SERVICE PART NO.	MFG. PART NO.	QTY.	DESCRIPTION
1	727008CE	727008CE	1	HYDRAULIC FLUID DECAL - CE
2	779280CE	779280CE	1	HOT DECAL - CE
3	781427CE	781427CE	1	DECK HEIGHT INDICATOR DECAL
4	784702CE	784702CE	1	INSTRUMENT PANEL DECAL - CE
5	791830	791830	1	FUEL INDICATOR DECAL
6	789727CE	789727CE	1	EYE/EAR/FOOT PROTECTION DECAL
7	777029CE	777029CE	1	MAXIMUM ANGLE CE DECAL
8	789719CE	789719CE	2	READ SERVICE MANUAL DECAL - CE
9	789701CE	789701CE	1	READ OWNER'S MANUAL DECAL - CE
10	727016CE	727016CE	1	BATTERY DECAL - CE
11	789776CE	789776CE	1	DBA DECAL - CE
12	N/A	083279	1	TURF PROD SERIAL NO PLATE
13	776310	776310	1	CE MARK DECAL
14	793588	793588	1	HUSTLER NAME PLATE
15	782615	782615	1	SUPER Z ID DECAL
16	771436CE	771436CE	1	STABILIZER ROLLERS DECAL - CE

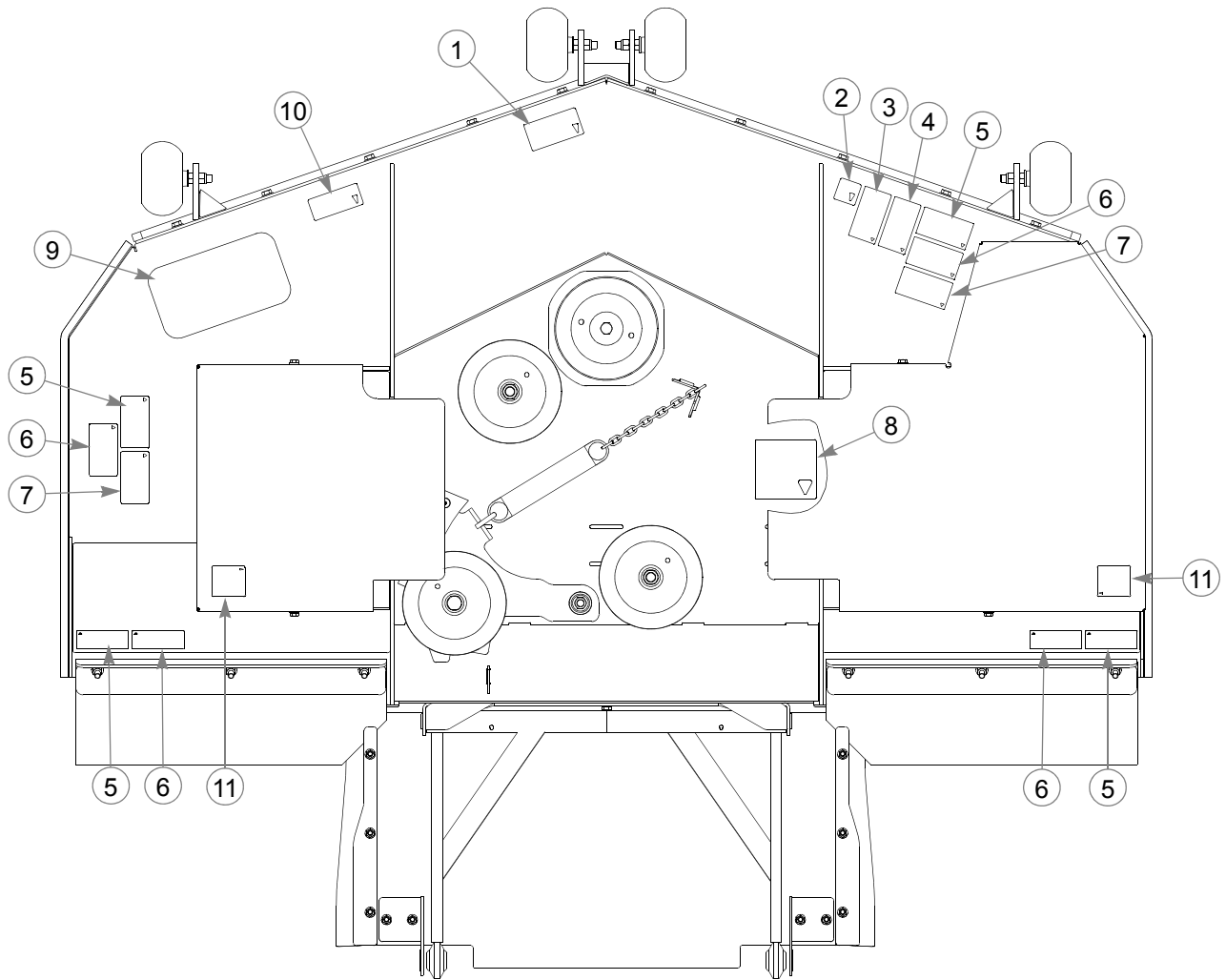
NOTES:

60" Side Discharge Deck Decals(XR7)



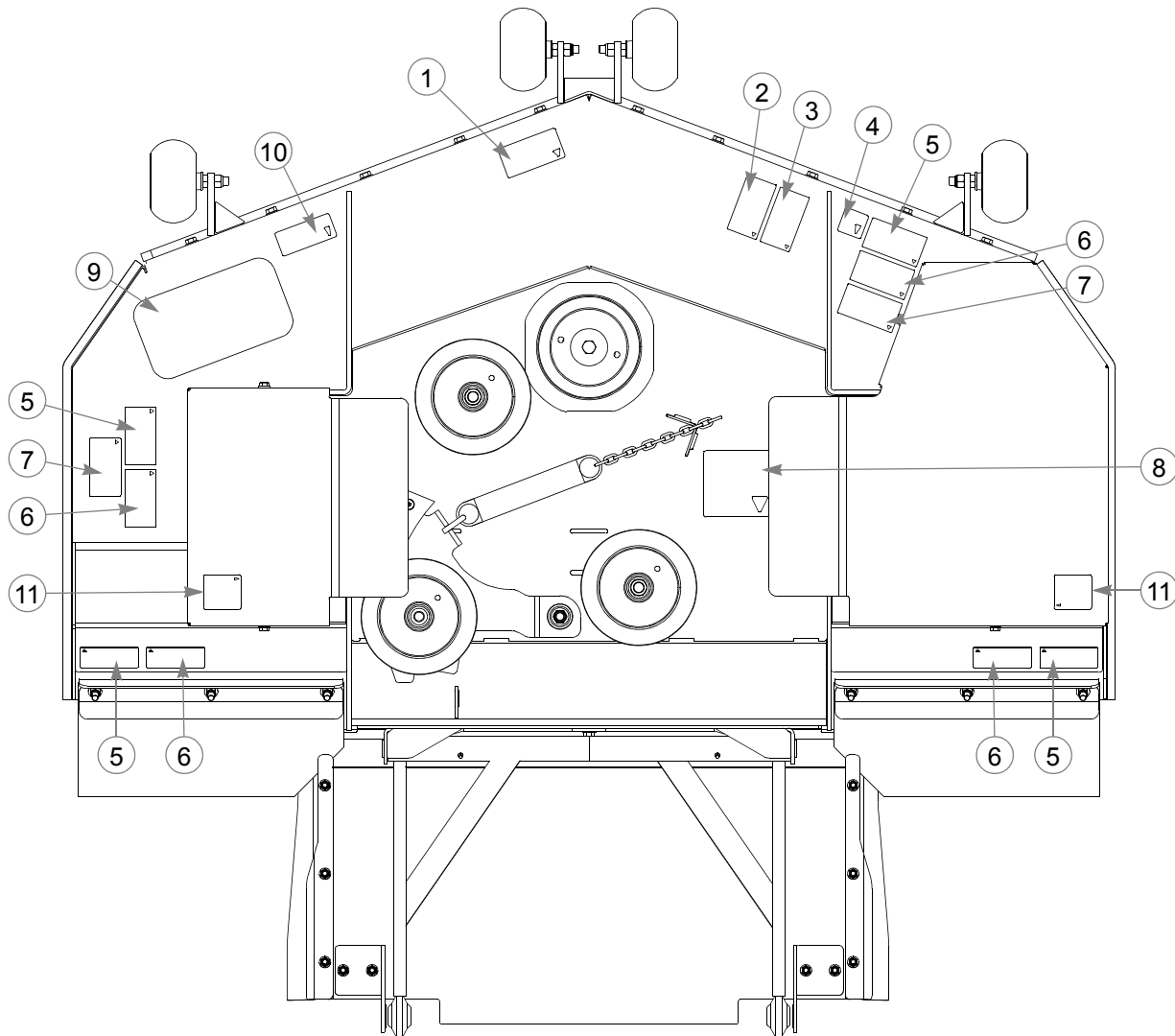
INDEX NO.	SERVICE PART NO.	MFG. PART NO.	QTY.	DESCRIPTION
1	786277	786277	1	60" SIDE DISCHARGE DECK ID DECAL
2	789701CE	789701CE	1	READ OWNER'S MANUAL DECAL
3	727420CE	727420CE	1	DISCHARGE CHUTE DECAL - CE
4	789685CE	789685CE	2	THROWN OBJECT DECAL
5	727453CE	727453CE	2	DECK COVER, DECAL - CE
6	727438CE	727438CE	2	FINGERS AND TOES DECAL
7	799395	799395	1	BELT ROUTING DECAL
8	799353CE	799353CE	1	DECK XR7 ID DECAL
9	359547	359547	1	STEP TREAD 5.00 X 9.00
10	789719CE	789719CE	1	READ SERVICE MANUAL DECAL
11	602562	602562	2	NO SERVICE DECAL

72" Rear Discharge Deck Decals



INDEX NO.	SERVICE PART NO.	MFG. PART NO.	QTY.	DESCRIPTION
1	786285	786285	1	72" DECK ID DECAL
2	727172	727172	1	DECAL 'MADE IN U.S.A.'
3	789719CE	789719CE	1	READ SERVICE MANUAL DECAL
4	789701CE	789701CE	1	READ OWNER'S MANUAL DECAL
5	789685CE	789685CE	4	THROWN OBJECT DECAL
6	727438CE	727438CE	4	FINGERS AND TOES DECAL
7	727453CE	727453CE	2	DECK COVER DECAL - CE
8	796953	796953	1	REAR DISCHARGE DECK ROUTING DECAL
9	359547	359547	1	STEP TREAD 5.00 X 9.00
10	797845	797845	1	FUSION DECAL
11	602562	602562	2	NO SERVICE DECAL

60" Rear Discharge Deck Decals



INDEX NO.	SERVICE PART NO.	MFG. PART NO.	QTY.	DESCRIPTION
1	786277	786277	1	60" DECK ID DECAL
2	789701CE	789701CE	1	READ OWNER'S MANUAL DECAL
3	789719CE	789719CE	1	READ SERVICE MANUAL DECAL
4	727172	727172	1	"MADE IN U.S.A." DECAL
5	789685CE	789685CE	4	THROWN OBJECT DECAL
6	727438CE	727438CE	4	FINGERS AND TOES DECAL
7	727453CE	727453CE	2	DECK COVER DECAL - CE
8	796953	796953	1	REAR DISCHARGE DECK ROUTING DECAL
9	359547	359547	1	5.00 X 9.00 STEP TREAD
10	797845	797845	1	FUSION DECAL
11	602562	602562	2	NO SERVICE DECAL

NOTES:

Numerical Index

Part No.	Page No.	Part No.	Page No.	Part No.	Page No.
Index					
Part Numbers					
000323	5-7	039677	6-4, 6-5	102764	7-3
000331	5-7, 8-9, 8-11	041475	6-3	103010	7-3
000430	5-9	044818	5-3	103184	7-3
005116	4-9, 7-3	045088	5-7	103192	7-5
008193	3-3, 3-7, 4-13	045765	6-3	103200	7-5
012005	7-30, 7-31	045898	5-9	104380	7-3
015495	4-5, 4-13, 7-3, 7-9, 7-11, 7-13, 7-21, 7-23, 7-25	047654	5-3	106591	7-13, 7-25
015511	6-4, 6-5	048876	4-9	106633	5-9
015818	5-7	050161	5-3	106666	7-13, 7-25
016253	7-9, 7-11, 7-13, 7-21, 7-23, 7-25	051169	8-3	106716	7-21, 7-23, 7-25
016527	5-3, 7-5, 7-15, 7-19, 7-27, 7-29	052860	2-5, 7-3, 8-9, 8-11	106724	7-13, 7-25
016899	5-3	053199	4-7, 7-3, 7-9, 7-11, 7-13, 7-21, 7-23, 7-25	106732	2-3, 2-4, 5-7
016972	7-5, 7-15, 7-19, 7-27, 7-29	054502	4-9	106781	7-13, 7-25
017129	8-9	055749	4-5, 8-3	107616	2-2
018846	4-5	055822	4-7, 5-7	107712	7-9, 7-11, 7-13
019521	6-4, 6-6	055939	4-3, 5-3	107920	5-9
023317	8-13	055947	3-3, 3-7, 5-9	107927	7-23
023655	4-7, 4-9	057661	5-3	108320	7-7
024927	4-3	057661	5-3	108501	7-3
025007	7-5	058776	4-3, 5-3, 7-5, 7-9, 7-11, 7-13, 7-15, 7-19, 7-21, 7-23, 7-25, 7-27, 7-29	108543	7-3
025296	4-13, 6-3, 8-3	059832	4-9, 5-9	108575	7-7
025395	7-3, 7-7, 7-13, 7-25	059931	7-5, 7-15, 7-19, 7-27, 7-29	108577	7-7
026237	5-9	061077	6-6	109274	8-9
028118	4-13, 7-5, 7-15, 7-19, 7-27, 7-29	061101	4-13, 6-3, 8-3	109283	8-9
029751	5-3, 7-7	061812	8-13	109307	8-9
029868	4-3	063198	4-9	109482	7-9, 7-11, 7-21, 7-23
029876	4-7, 5-3	068239	6-7	109483	7-9, 7-11, 7-21, 7-23
029934	7-5, 7-15, 7-19, 7-27, 7-29	068478	1-1	109484	7-9, 7-11, 7-21, 7-23
031997	6-7, 7-3, 7-9, 7-11, 7-13, 7-21, 7-23, 7-25	068551	3-3, 3-7	109485	7-9, 7-11, 7-21, 7-23
032763	3-3, 3-7	070037	7-3	109486	7-9, 7-11, 7-21, 7-23
032771	3-3, 3-7	077123	7-30, 7-31	109487	7-9, 7-11, 7-21, 7-23
034272	3-3, 3-7, 4-3, 4-5, 4-7, 4-9, 4-13, 5-3, 8-9, 8-11	077859	3-3, 3-7, 8-13	109549	7-15, 7-27
034280	5-3, 7-5, 7-15, 7-19, 7-25, 7-27, 7-29	080358	8-9, 8-11	109948	7-15, 7-27
034843	7-30, 7-31	083196	4-13	110402	7-21
036236	4-9, 4-13, 5-3	083279	9-3	110411	7-27
036244	4-7, 4-10, 5-7, 7-9, 7-11, 7-13, 7-21, 7-23, 7-25, 8-9, 8-11	086660	2-5, 4-9, 4-10, 7-3, 7-7, 7-9, 7-11, 7-13, 7-21, 7-23, 7-25, 8-9, 8-11	110412	7-27
037887	7-9, 7-11, 7-21, 7-23	100412	2-2	110450	7-9
		101295	7-11, 7-13	110458	7-15
		101345	7-19	110459	7-15
		101352	7-19	212076	4-13
		101360	7-9, 7-11, 7-13	212472	7-5, 7-15, 7-19, 7-27, 7-29
		101477	7-9, 7-11, 7-13	259812	7-15, 7-27
		101808	2-2	263517	6-3
		102707	5-9	305615	2-5
				314104	7-3
				344267	6-3
				347443	7-5
				347684	4-7
				347989	5-7
				348318	4-5
				348391	4-5

Part No.	Page No.	Part No.	Page No.	Part No.	Page No.
348417	4-3	600437	4-5	727008CE	9-3
348458	4-5	600893	7-30, 7-31	727016CE	9-3
348615	2-4	600901	7-27, 7-29	727172	9-5, 9-6
348714	4-10	600930	7-9, 7-11, 7-13	727420CE	9-4
348755	4-10	600961	2-3, 2-4	727438CE	9-4, 9-5, 9-6
348797	4-7	601016	4-13	727453CE	9-4, 9-5, 9-6
348862	4-10	601069	7-9, 7-21	740696	4-3
348888	4-10	601085	6-6	742684	1-1
348946	4-10	601089	5-9	744276	4-3
348987	4-7	601216	5-3	747303	1-1
349266	6-3	601220	3-3	747741	6-4
349761	4-13	601284	3-3	747782	6-3
349803	7-9, 7-11, 7-13, 7-21, 7-23, 7-25	601285	3-3	747832	6-4
350041	8-11	601286	3-3	748756	8-11
350264	4-9	601287	3-3	750414	7-3
350330	4-9	601311	4-13	752386	7-5, 7-15, 7-19, 7-27, 7-29
350397	4-9	601344	4-9	756270	4-5
350421	8-9, 8-11	601434	7-5, 7-19, 7-29	762195	5-9
350462	8-11	601440	8-13	763318	5-4
350884	7-5, 7-19, 7-29	601444	8-9	765339	4-9
351395	7-23, 7-25	601461	4-13	766204	7-30, 7-31
351676	7-21, 7-23, 7-25	601462	4-13	767954	2-5, 4-7, 4-9, 4-10, 5-7, 7-3, 7-7, 7-9, 7-11, 7-13, 7-21, 7-23, 7-25, 8-9, 8-11
351924	7-29	601463	4-13	767962	3-3, 3-7, 4-13, 5-3, 5-7, 6-7, 7-3, 7-5, 7-9, 7-11, 7-13, 7-15, 7-19, 7-21, 7-23, 7-25, 7-27, 7-29, 8-13
351932	7-29	601470	8-13	768515	3-3, 3-7, 4-7, 5-3, 5-9
352278	2-2	601471	8-13	768523	3-3, 3-7, 4-3, 4-7, 4-9, 4-13, 5-3, 7-5, 7-9, 7-11, 7-13, 7-15, 7-19, 7-21, 7-23, 7-25, 7-27, 7-29, 8-9, 8-11
352591	7-21, 7-23, 7-25	601472	8-13	769166	5-9
354035	4-9	601473	8-13	769257	7-5
356121	5-3	601483	7-9, 7-11, 7-21, 7-23	770842	7-5, 7-27, 7-29
357616	3-3, 3-7	601509	3-3	770867	7-15, 7-27
357780	5-3	601560	8-13	771428	4-3
359547	2-5, 9-4, 9-5, 9-6	601630	7-5, 7-15, 7-27	771436CE	9-3
366765	4-13	601677	3-3, 3-7	776310	9-3
373191	7-5, 7-19, 7-29	601779	7-15, 7-27	776476	5-9
377994	5-3	601819	7-15, 7-27	777029CE	9-3
380691	5-3	601983	7-5, 7-15, 7-27	778365	5-9
382168	5-3	601999	7-15, 7-27	778399	7-9, 7-11, 7-13, 7-21, 7-23, 7-25
387035	6-3	602562	9-4, 9-5, 9-6	778738	5-3
395533	2-5	700484	3-3, 3-7	779280CE	9-3
538850	7-15, 7-19	704163	4-7	779306	5-7
547398	7-23, 7-25	704643	4-5, 8-3		
547406	7-11, 7-13	704759	7-15, 7-27		
547786	2-2	704932	5-9		
547950	2-3, 2-4	705137	5-3		
547968	2-4	705178	4-10		
547984	2-2	705608	3-3, 3-7		
548016	2-2	705954	4-13, 5-7, 6-3, 7-5		
548024	2-2	710194	7-9, 7-11, 7-21, 7-23		
600171	7-5, 7-16, 7-19, 7-29	712257	5-9		
600189	7-5, 7-16, 7-19, 7-29	712919	5-7		
600221	4-7	712927	4-9, 7-13, 7-25		
600254	7-21, 7-23, 7-25	713198	3-3, 3-7		
600262	7-13, 7-25	714998	5-9		
600296	7-15, 7-27	722199	8-9, 8-11		
		724716	8-9, 8-11		

Part No.	Page No.	Part No.	Page No.	Part No.	Page No.
779850	4-3	783845	4-9	793281	8-9, 8-11
781153	4-10	783910	8-9	793299	8-9, 8-11
781211	4-9	783928	3-3, 3-7	793307	8-9, 8-11
781229	4-5	783936	1-1, 3-3, 3-7	793315	8-9, 8-11
781237	6-6	783985	3-3, 3-7	793323	8-9, 8-11
781245	6-6	783993	3-3, 3-7	793588	9-3
781252	6-6	784025	3-3, 3-7	794214	7-5
781260	4-10	784058	6-6	794446	7-15, 7-19, 7-27, 7-29
781286	4-7	784066	6-6	794685	1-1
781294	4-5	784082	3-3, 3-7	795310	5-3
781302	7-5, 7-15, 7-19, 7-27, 7-29	784108	3-3, 3-7	795633	1-1, 7-27, 7-29
781385	7-5	784116	3-3, 3-7	795781	1-1, 7-27, 7-29
781427CE	9-3	784124	3-3, 3-7	796219	4-3
781443	1-1, 4-13	784132	3-3, 3-7	796227	7-30
781526	3-3, 3-7	784223	6-3	796235X	7-5, 7-15, 7-19, 7-27, 7-29
781534	3-3, 3-7	784702CE	9-3	796508	1-1, 7-15, 7-19
781567	6-7, 7-3, 7-9, 7-11, 7-13, 7-15, 7-21, 7-23, 7-25, 7-27	784983	3-4, 3-8	796672	5-3
781583	4-7, 4-9	785261	1-1, 5-4	796680X	7-15, 7-19, 7-27, 7-29
781617	8-9, 8-11	785279	1-1	796698	7-31
781658	3-3, 3-7	785378	5-3	796714	7-15, 7-19, 7-27, 7-29
781708	7-3, 7-9, 7-11, 7-13, 7-21, 7-23, 7-25	785659	4-13	796722	7-15, 7-19, 7-27, 7-29
781716	4-7, 4-10	785741	5-3	796839	7-15, 7-19
781831	4-5	785808	5-9	796953	9-5, 9-6
781856	4-13, 7-5	786277	9-4, 9-6	797076	8-9
781872	4-13	786285	9-5	797084	5-7
781880	2-5, 8-9, 8-11	786335	7-5, 7-16, 7-19, 7-29	797167	1-1, 7-15, 7-19
781922	4-7	786657	5-9	797449	7-5
782383	3-7	786673	5-3	797480	8-9, 8-11
782441	3-7	787366	4-13	797571	8-9, 8-11
782458	3-7	787713	5-3	797654	4-13
782466	4-13	788018	5-3	797720	1-1, 7-5
782474	7-5, 7-15, 7-19, 7-27, 7-29	788026	5-3	797845	9-5, 9-6
782615	9-3	788042	3-3, 3-7	797910	7-5, 7-15, 7-19, 7-27, 7-29
782763	5-3	788166	7-3, 7-9, 7-11, 7-13, 7-21, 7-23, 7-25	798603	6-3
782771	6-4, 6-5	788174	3-3, 3-7	798694	7-3
782870	3-7	788216	5-3	799320	5-3, 5-9
782880	3-7	788943	5-3	799353CE	9-4
782953	4-9	789321	4-9	799395	9-4
782979	4-9	789537	6-5	799411CE	1-1
782995	4-5	789644	4-9	808477	2-3, 2-4
783001	4-5	789685CE	9-4, 9-5, 9-6	808485	2-4, 7-3, 7-9, 7-11, 7-13, 7-23, 7-25
783118	4-9	789701CE	9-3, 9-4, 9-5, 9-6	808493	2-2, 2-3, 2-4, 7-3
783126	4-9	789719CE	9-3, 9-4, 9-5, 9-6	927467CE	1-1
783712	4-13	789727CE	9-3	927624CE	1-1
783738	7-5, 7-15, 7-19, 7-27, 7-29	789776CE	9-3	927988CE	1-1
783761	4-13	791251	4-13		
783829	4-13	791830	9-3		
783837	5-3	792051	8-9, 8-11		
		792887	7-21		
		793232	5-7		
		793240	5-7		
		793265	8-9, 8-11		
		793273	8-9, 8-11		

Part No.	Page No.	Part No.	Page No.	Part No.	Page No.